

US00D960973S

(12) **United States Design Patent** (10) **Patent No.:** **US D960,973 S**  
**Nielsen et al.** (45) **Date of Patent:** **\*\* Aug. 16, 2022**

(54) **BOX CALENDAR**

(71) Applicants: **Ryan Nielsen**, Morgan Hill, CA (US);  
**Erica Nielsen**, Morgan Hill, CA (US)  
(72) Inventors: **Ryan Nielsen**, Morgan Hill, CA (US);  
**Erica Nielsen**, Morgan Hill, CA (US)

(\*\*) Term: **15 Years**

(21) Appl. No.: **29/751,372**

(22) Filed: **Sep. 21, 2020**

(51) **LOC (13) Cl.** ..... **19-03**

(52) **U.S. Cl.**  
USPC ..... **D19/20**

(58) **Field of Classification Search**

USPC ..... D19/1–12, 20–34, 75–77, 86, 59, 91,  
D19/113; 40/124.01–124.15, 726,  
40/109–110, 107, 113–118, 358, 649,  
40/642.02; 283/2–3; D20/10, 20, 27, 40,  
D20/15, 43, 39, 41–42; 368/28, 276–278;  
D10/15, 2–3; 206/214–215; 281/44;  
248/148; 211/13.1, 50, 24;  
D25/140–141  
CPC .. B42D 15/022; B42D 15/027; B42D 15/045;  
B42D 15/042; B42D 25/00; B42D 25/20;  
B42D 25/23; B42D 25/26; B42D 25/29;  
B42D 25/30; B42D 25/285; B42D  
2033/02; B42D 2033/04; B42D 2033/10;  
B42D 2033/16; B42D 2033/18; B42D  
2033/20; B42D 2033/22; B42D 2033/28;  
B42D 2033/30; B43L 1/00; B43L 1/008;  
B43L 1/08; B43L 1/04; B43L 5/00; B43L  
5/02; G09F 1/12; G09F 15/00; G09F  
15/0006; G09F 15/0062; G09F 15/0068;  
G09F 15/0012; G09F 2007/1834; G09F  
2007/1856

See application file for complete search history.

(56) **References Cited**

U.S. PATENT DOCUMENTS

D383,491 S \* 9/1997 Chang ..... D19/92  
D684,625 S \* 6/2013 Andre ..... D19/20  
D721,133 S \* 1/2015 Andre ..... D19/20

\* cited by examiner

*Primary Examiner* — Abraham Bahta

(74) *Attorney, Agent, or Firm* — Gurr Brande &  
Spendlove, PLLC; Robert A. Gurr

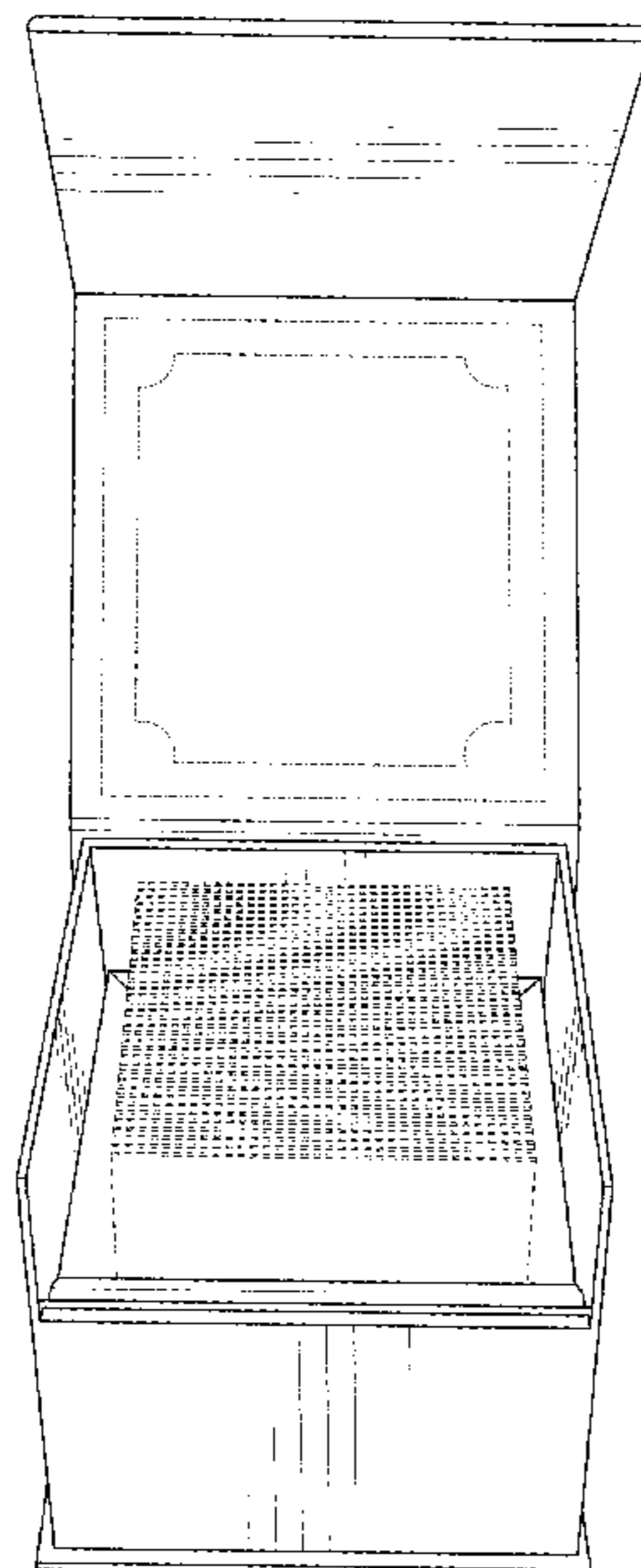
(57) **CLAIM**

The ornamental design for a box calendar, as shown and described.

**DESCRIPTION**

FIG. 1 is a front, top perspective view of the box calendar in a closed configuration;  
FIG. 2 is a front elevation view of the box calendar in a closed configuration;  
FIG. 3 is a rear elevation view of the box calendar in a closed configuration;  
FIG. 4 is a left side elevation view of the box calendar in a closed configuration;  
FIG. 5 is a right side elevation view of the box calendar in a closed configuration;  
FIG. 6 is a top plan view of the box calendar in a closed configuration;  
FIG. 7 is a bottom plan view of the box calendar in a closed configuration;  
FIG. 8 is a top perspective view of the box calendar in an open configuration; and,  
FIG. 9 is a top, front perspective view of the box calendar in an open configuration.  
The dash-dash lines shown in FIGS. 8 and 9 are for the purpose of illustrating cards and form no part of the claimed design. The dash-dot-dash lines represent portions of the article that form no part of the claimed design.

**1 Claim, 8 Drawing Sheets**



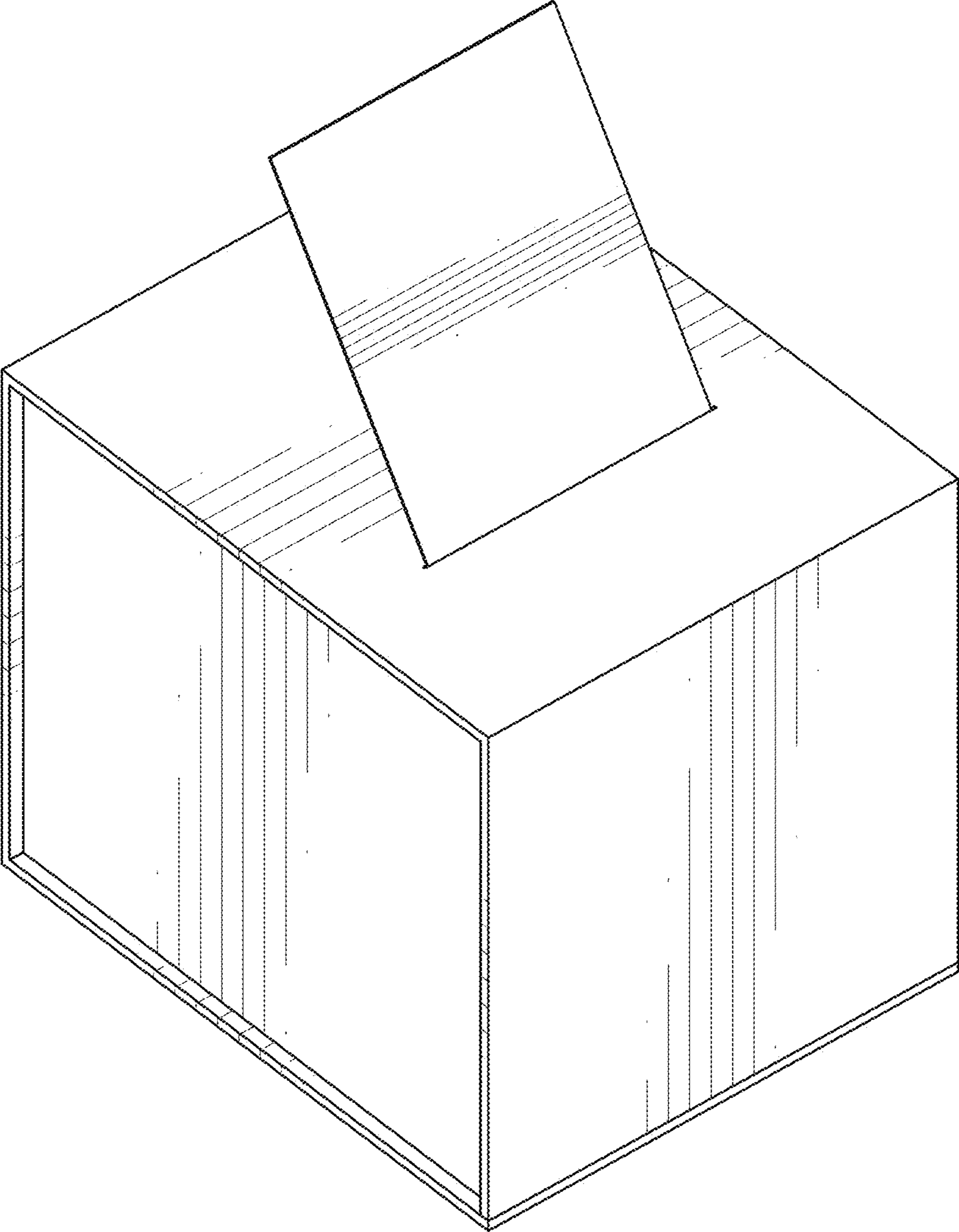


FIG. 1

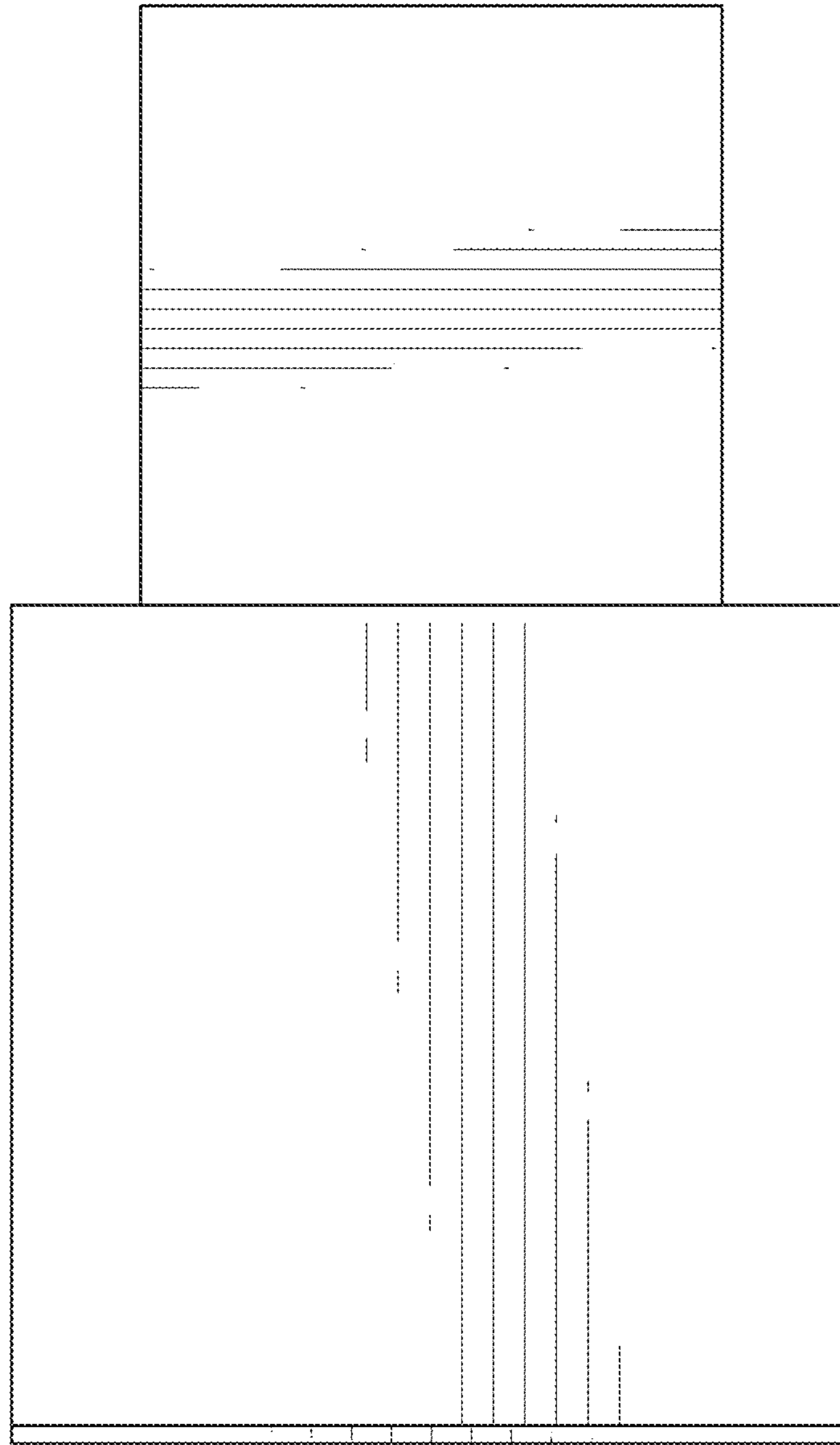


FIG. 2

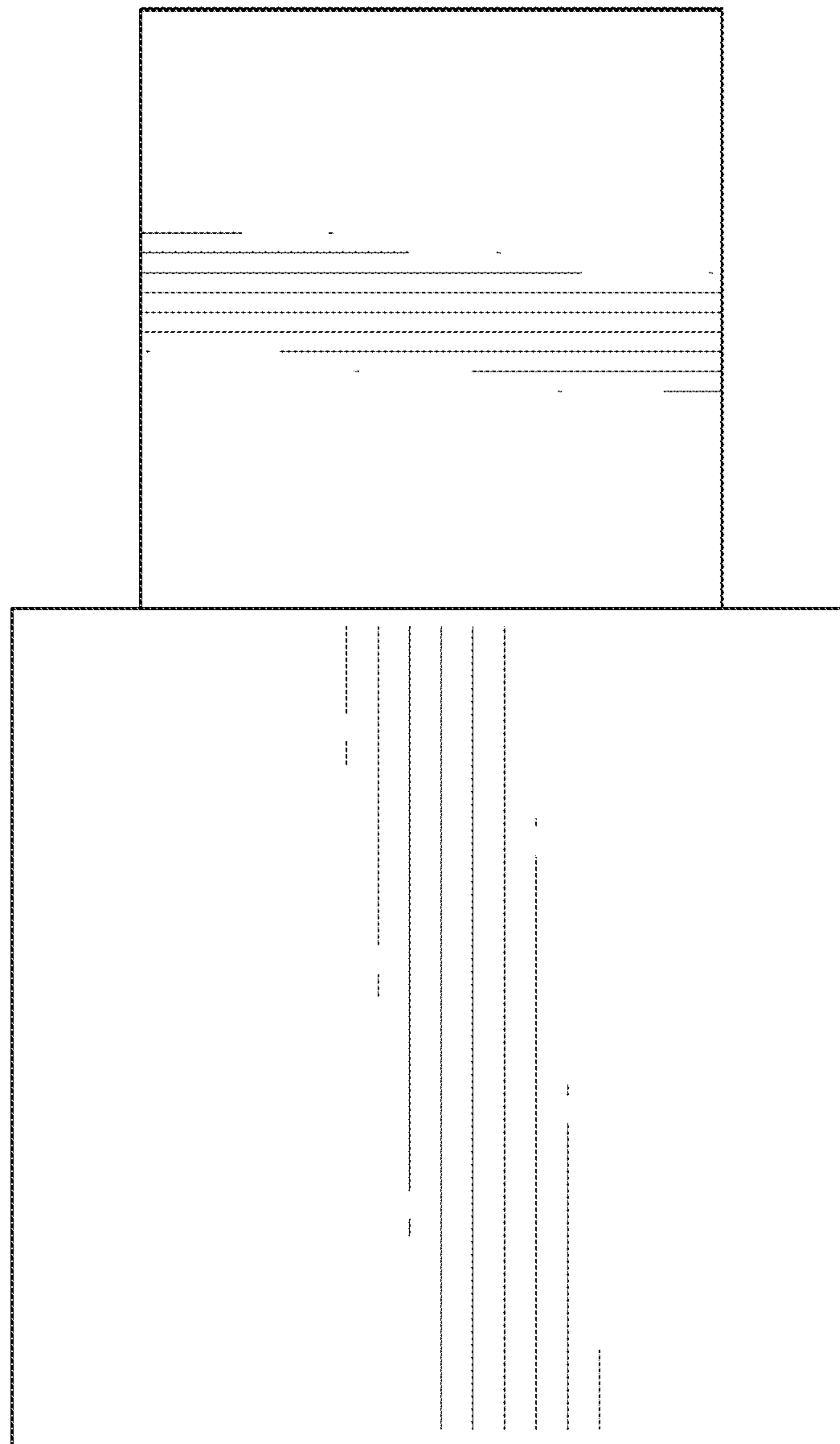


FIG. 3

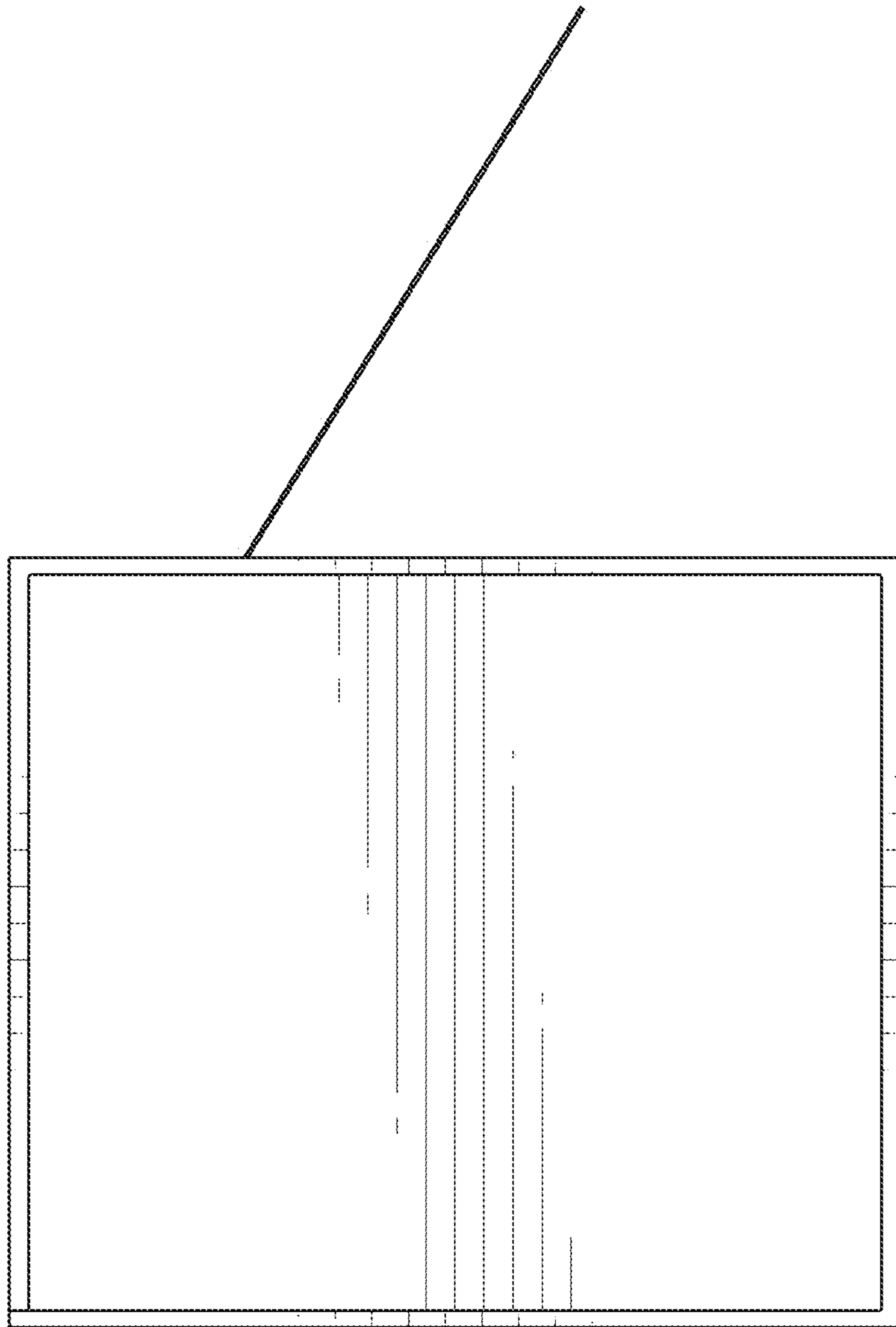


FIG. 4

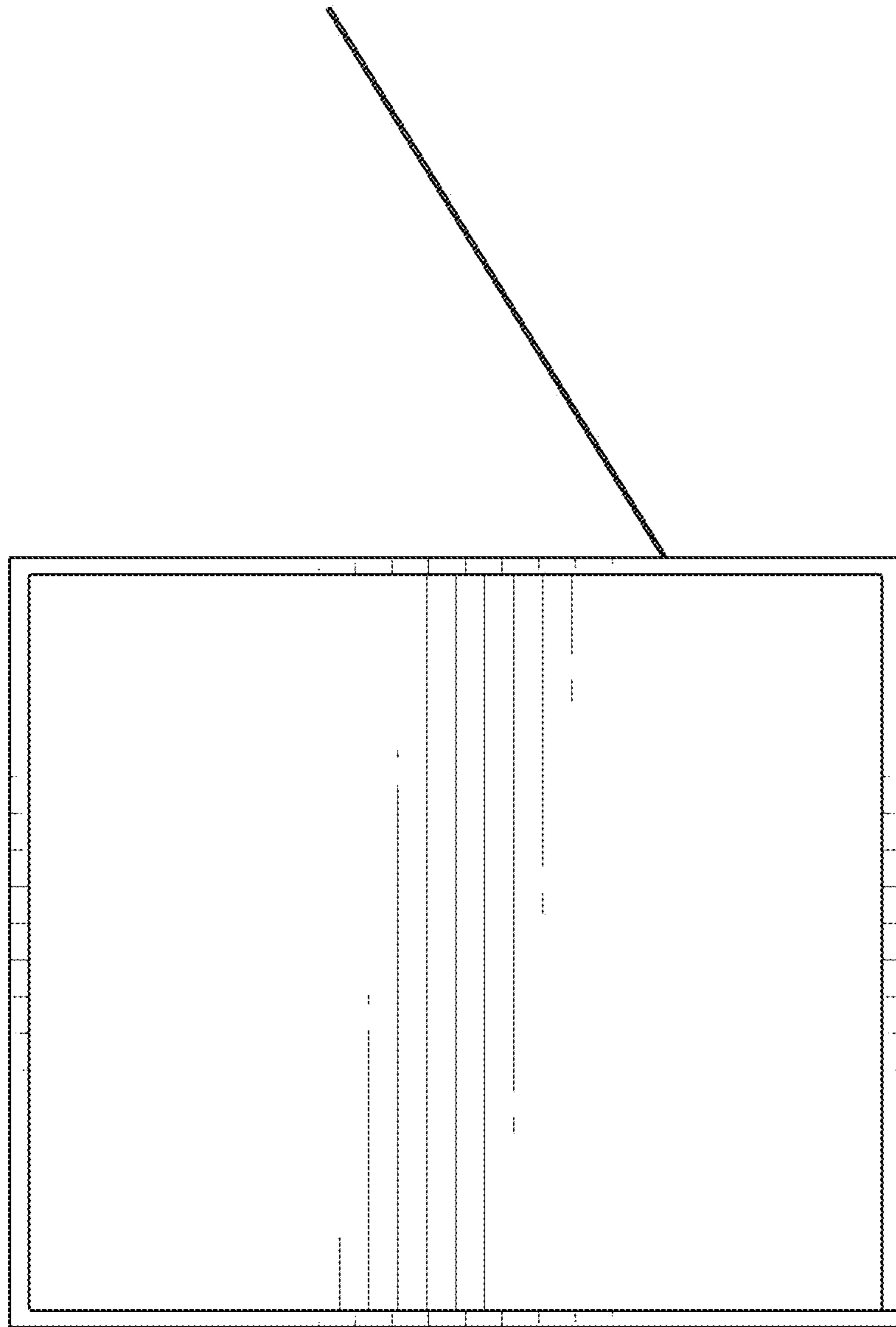


FIG. 5

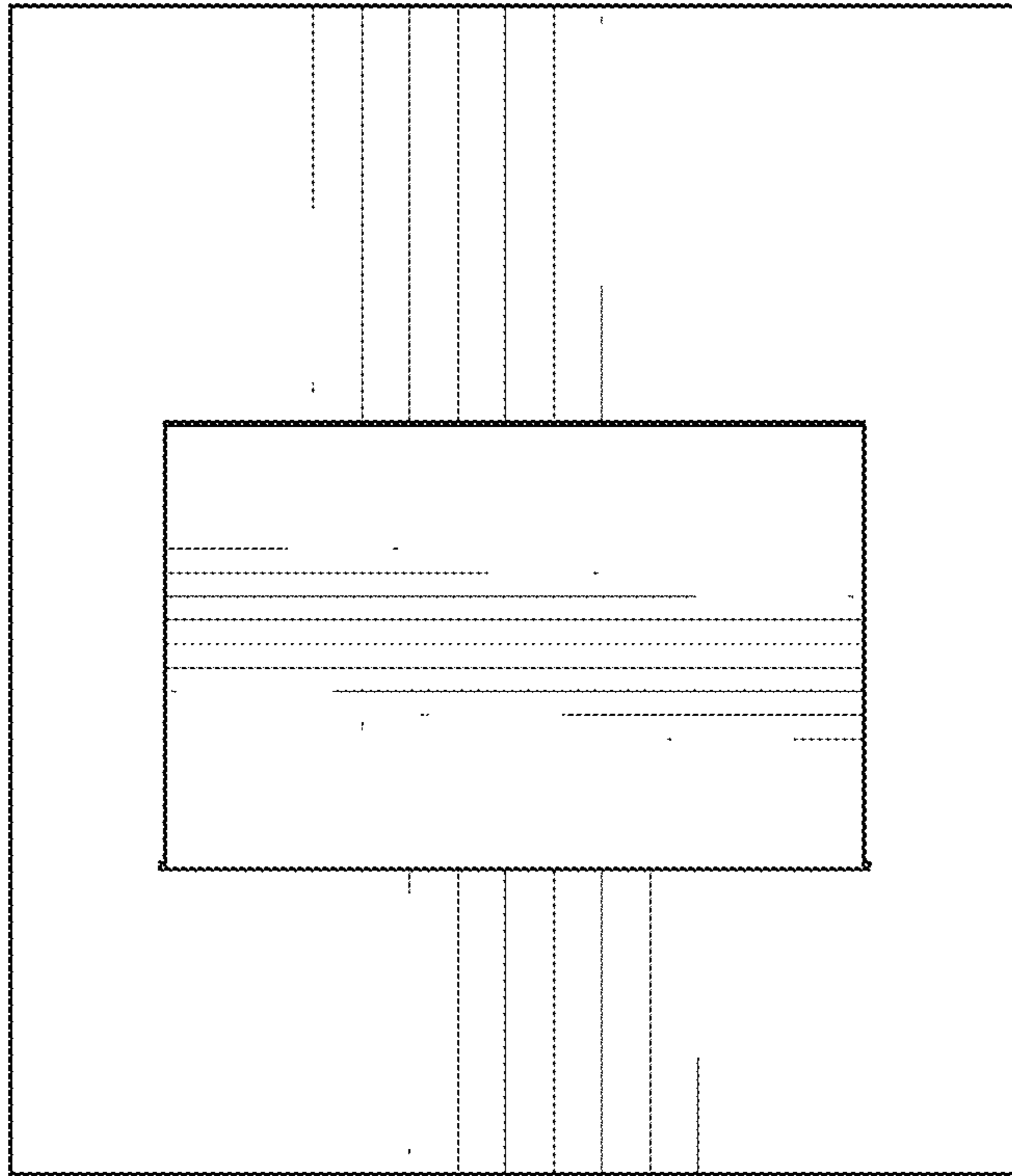


FIG. 6

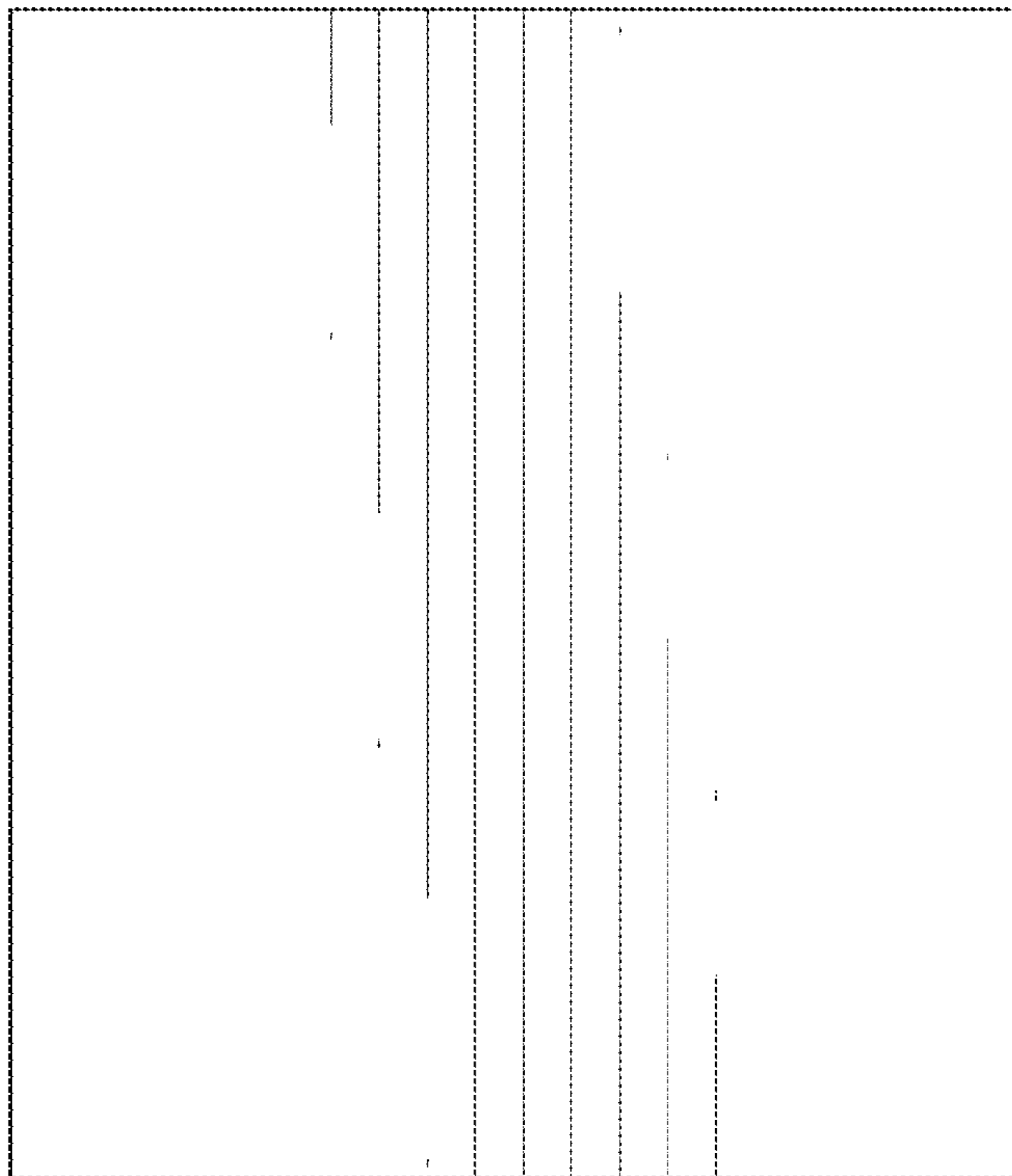


FIG. 7

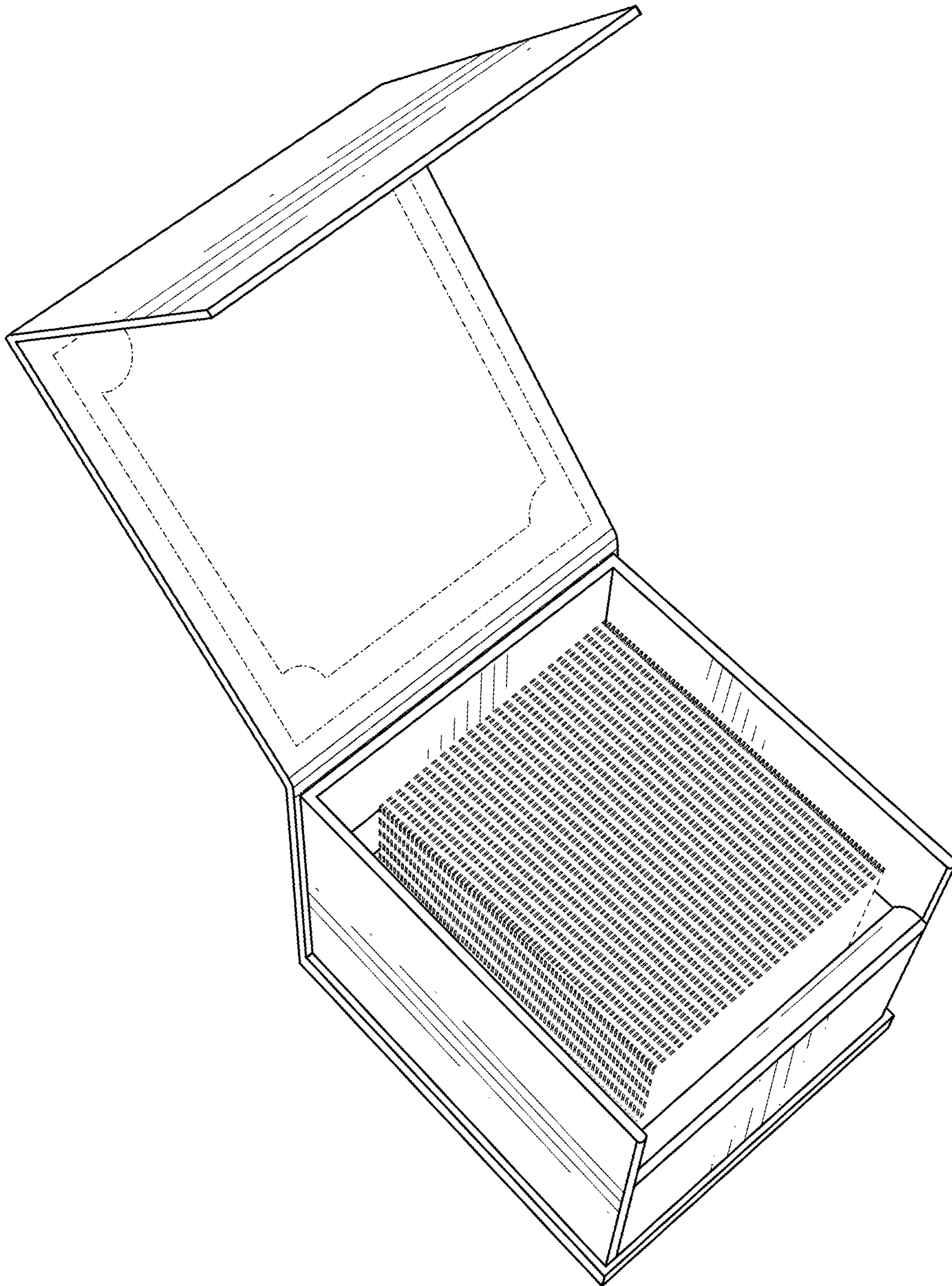


FIG. 8



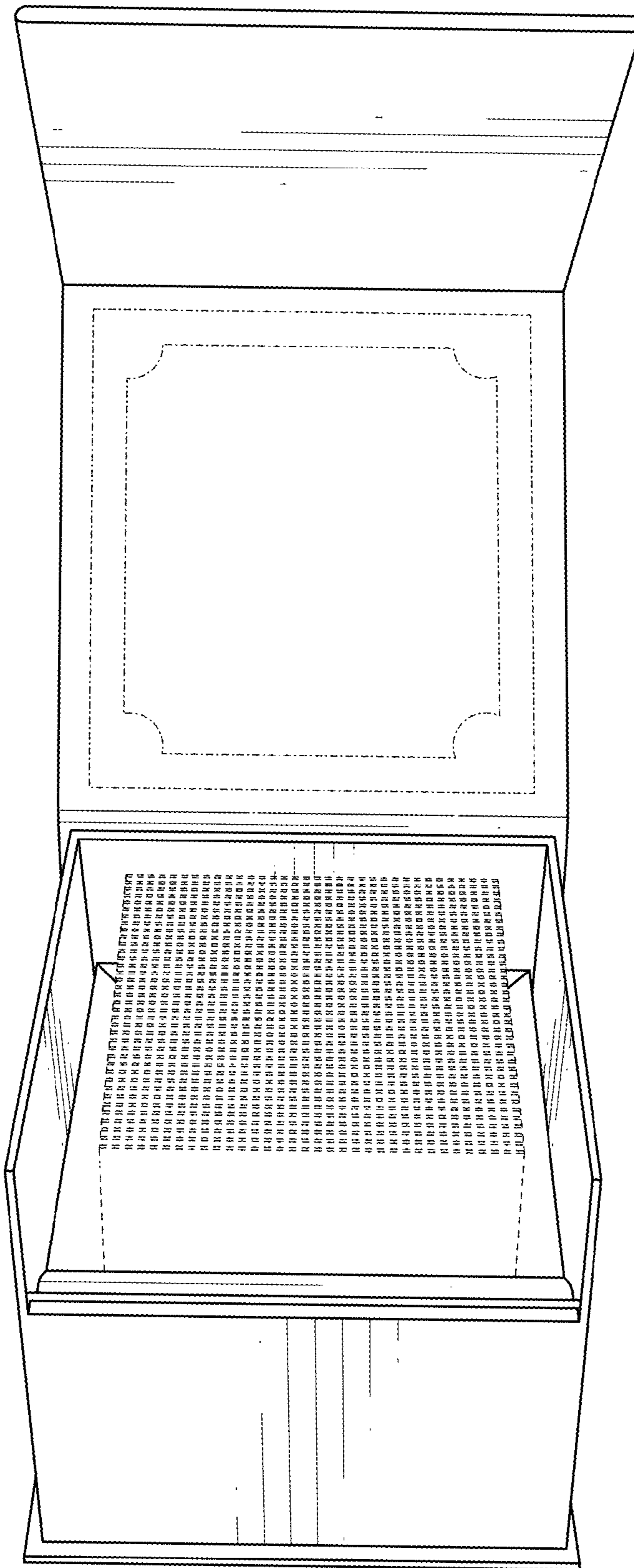


FIG. 9