



US00D960970S

(12) **United States Design Patent** (10) **Patent No.:** **US D960,970 S**
Studer et al. (45) **Date of Patent:** **** Aug. 16, 2022**

(54) **INK CARTRIDGE**
(71) Applicant: **Hewlett-Packard Development Company, L.P.**, Spring, TX (US)
(72) Inventors: **Anthony D. Studer**, Corvallis, OR (US); **Max Quinn**, Corvallis, OR (US); **David N. Olsen**, Corvallis, OR (US); **Joseph Eskandari**, Vancouver, WA (US)

D712,464 S * 9/2014 Harvey D18/56
D817,392 S * 5/2018 Koizumi D18/56
D890,709 S * 7/2020 Lim D13/184
D915,508 S * 4/2021 Minagawa D18/56
D934,341 S * 10/2021 Olsen D18/56
D941,391 S * 1/2022 Harvey D18/56
2008/0106575 A1* 5/2008 Shimizu B41J 29/02
347/49
2011/0259886 A1* 10/2011 Gonzales B41J 2/17553
220/200
2020/0282736 A1* 9/2020 Zhao B41J 2/1752
(Continued)

(73) Assignee: **Hewlett-Packard Development Company, L.P.**, Spring, TX (US)

FOREIGN PATENT DOCUMENTS

(**) Term: **15 Years**

RU 00103783 * 6/2017

(21) Appl. No.: **29/728,413**

OTHER PUBLICATIONS

(22) Filed: **Mar. 18, 2020**

Original HP 952XL Black High-yield Ink Cartridge , 2016, p. 11 Amazon.com_29728413-https://amzn.to/3uzKX6i (Year: 2016).*

(51) **LOC (13) Cl.** **18-02**

(52) **U.S. Cl.**
USPC **D18/56**

Primary Examiner — Jennifer L Rempfer
Assistant Examiner — Danielle Nichole Bowly
(74) *Attorney, Agent, or Firm* — Hanley Flight & Zimmerman LLC

(58) **Field of Classification Search**
USPC D15/138, 135, 122; D18/50, 52, 54, 55, D18/56
CPC ... B65H 1/02; B41J 17/00; B41J 29/08; B41J 29/02; B41J 2/1752; B41J 2/175; B26D 1/045; B26D 1/065; B41M 5/035; B41M 5/03; B41M 5/0094; B41M 1/26; B41M 1/24

(57) **CLAIM**

The ornamental design for “ink cartridge”, as shown and described.

See application file for complete search history.

DESCRIPTION

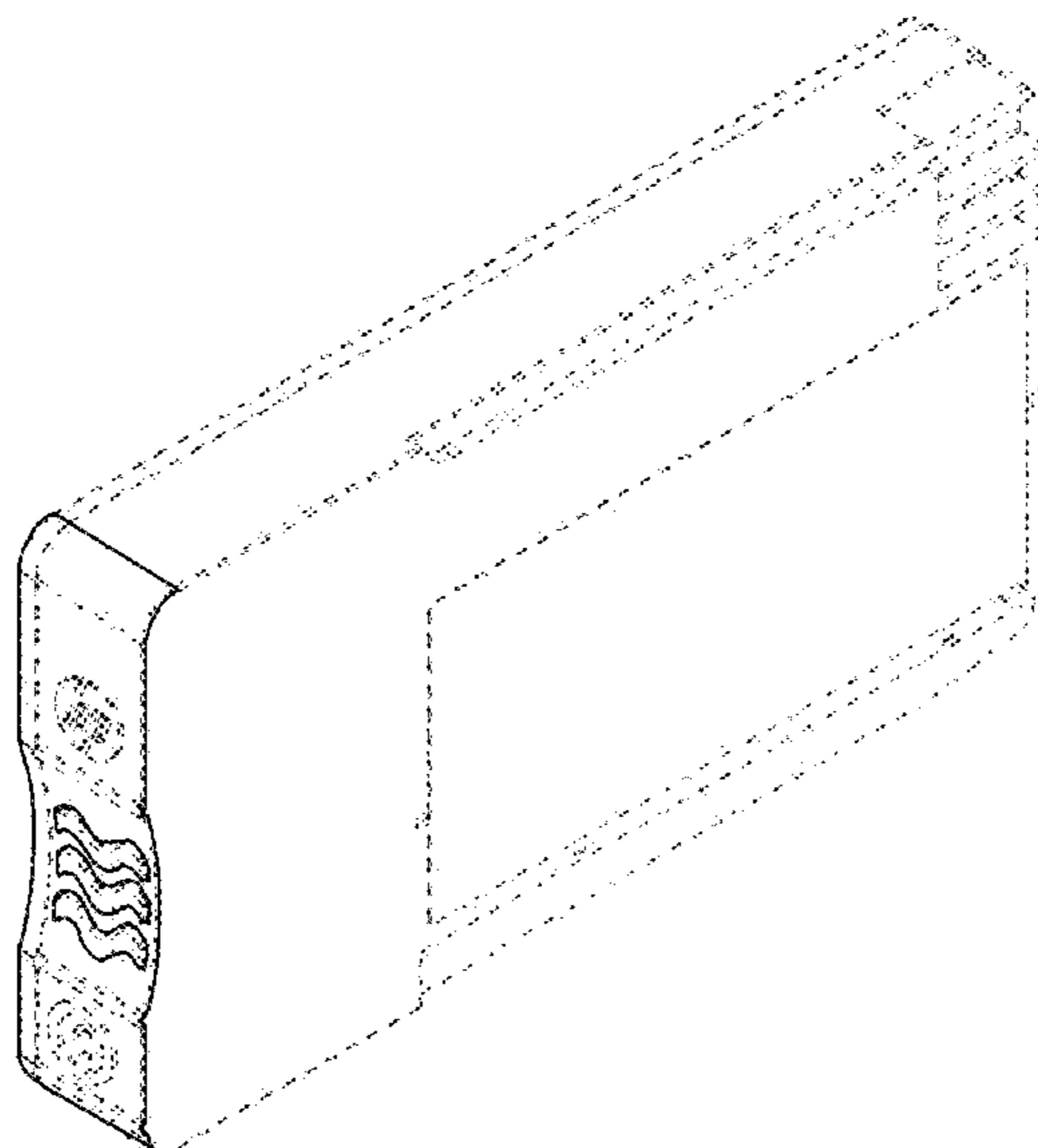
(56) **References Cited**

U.S. PATENT DOCUMENTS

D522,049 S * 5/2006 Ishizawa 347/86
D524,855 S * 7/2006 Ishizawa 347/86
D656,185 S * 3/2012 Oya D18/56
D656,186 S * 3/2012 Oya D18/56
D656,540 S * 3/2012 Oya D18/56
D682,929 S * 5/2013 Aoki D18/56
D707,290 S * 6/2014 Harvey D18/56

FIG. 1 is a right, front perspective view of an ink cartridge. FIG. 2 is a front view of the ink cartridge of FIG. 1. FIG. 3 is a rear view of the ink cartridge of FIG. 1. FIG. 4 is a top view of the ink cartridge of FIG. 1. FIG. 5 is a bottom view of the ink cartridge of FIG. 1. FIG. 6 is a right side view of the ink cartridge of FIG. 1; and, FIG. 7 is a left side view of the ink cartridge of FIG. 1. The features shown in broken lines form no part of the claimed design.

1 Claim, 4 Drawing Sheets



(56)

References Cited

U.S. PATENT DOCUMENTS

2021/0001635 A1* 1/2021 Gardner B41J 2/17546
2021/0197573 A1* 7/2021 Naito B41J 2/1754

* cited by examiner

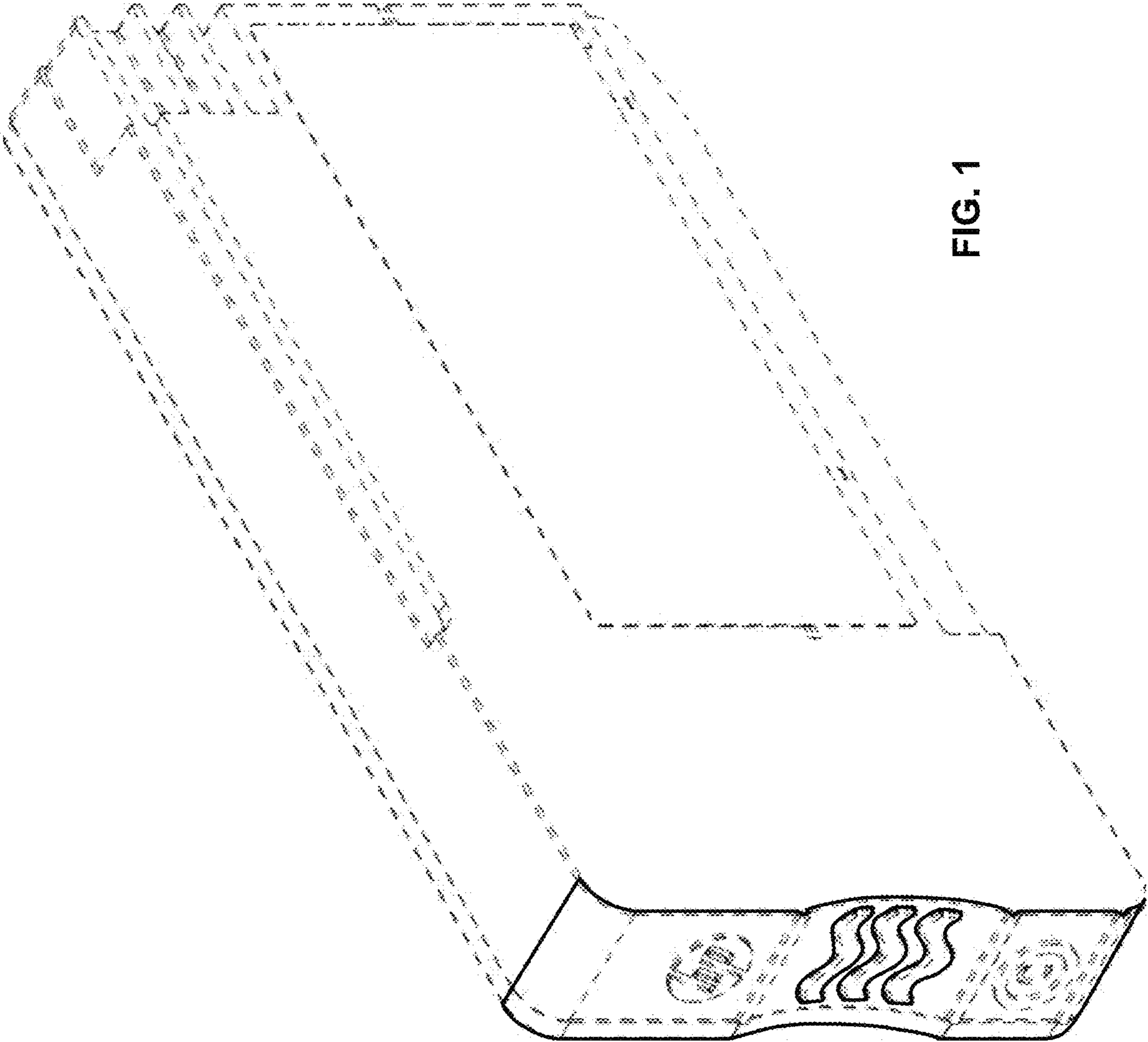


FIG. 1

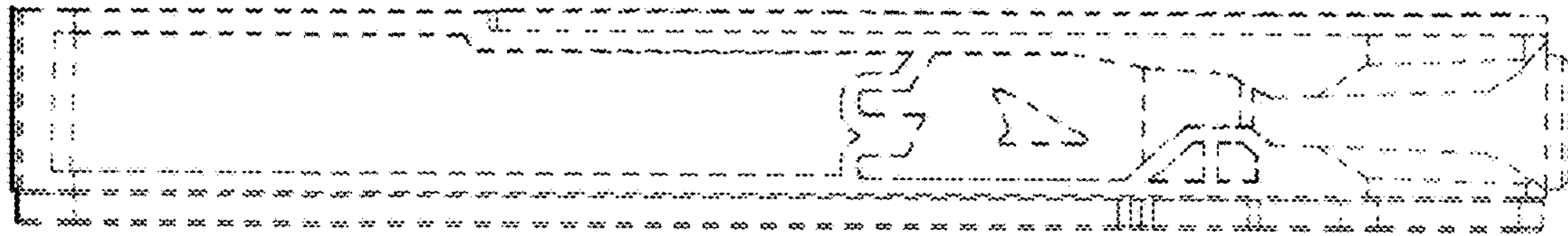


FIG. 5

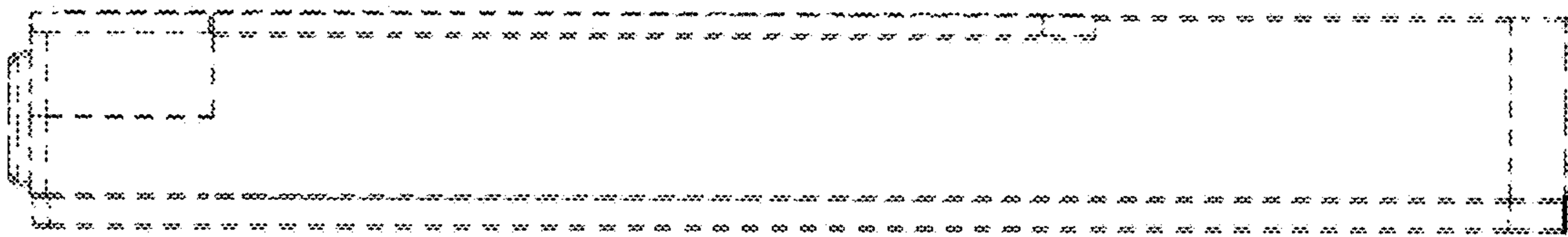


FIG. 4



FIG. 3

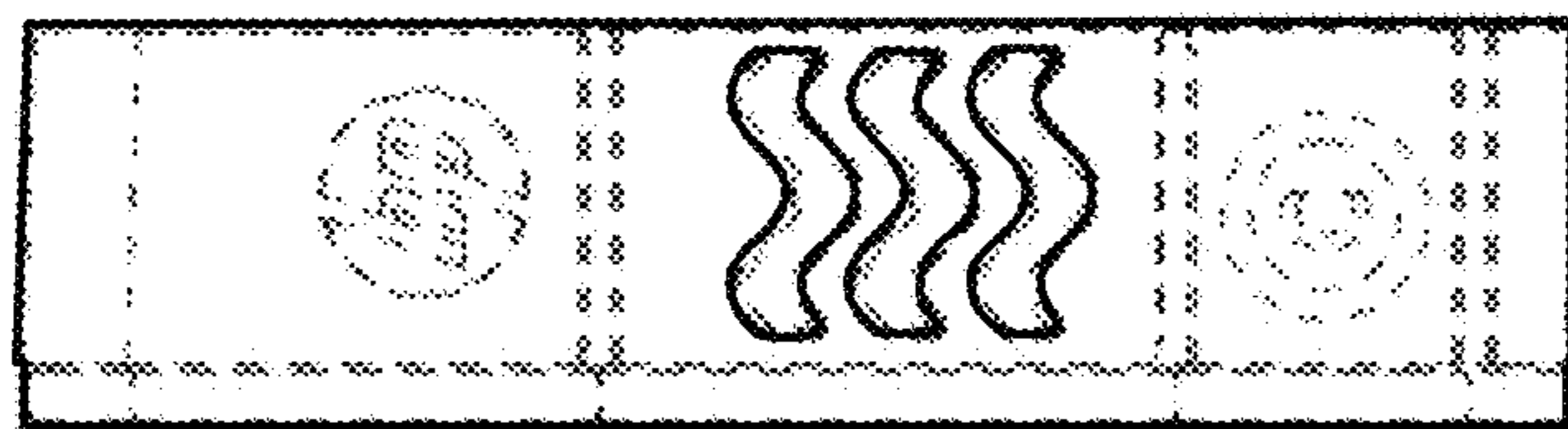


FIG. 2

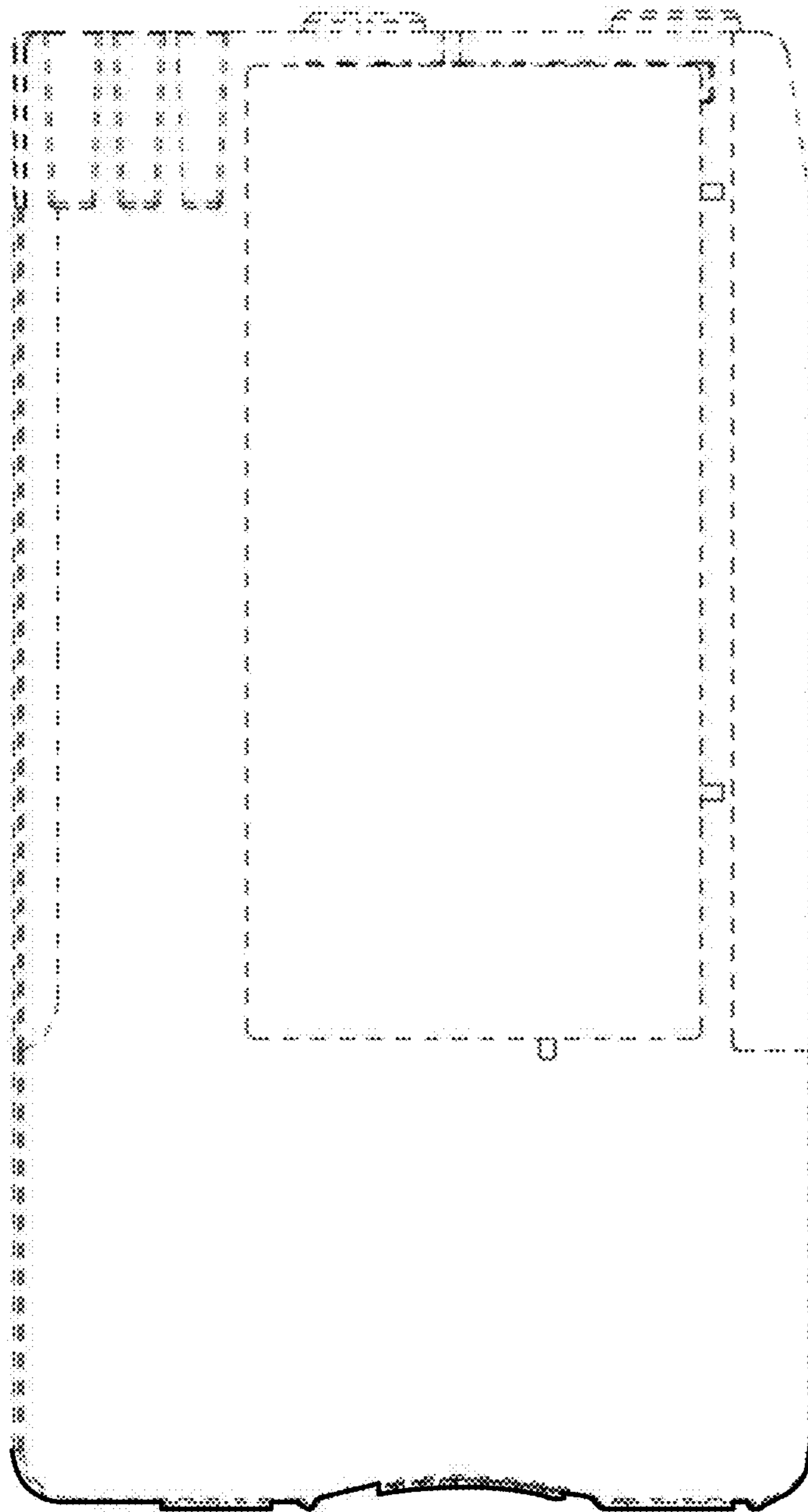


FIG. 6

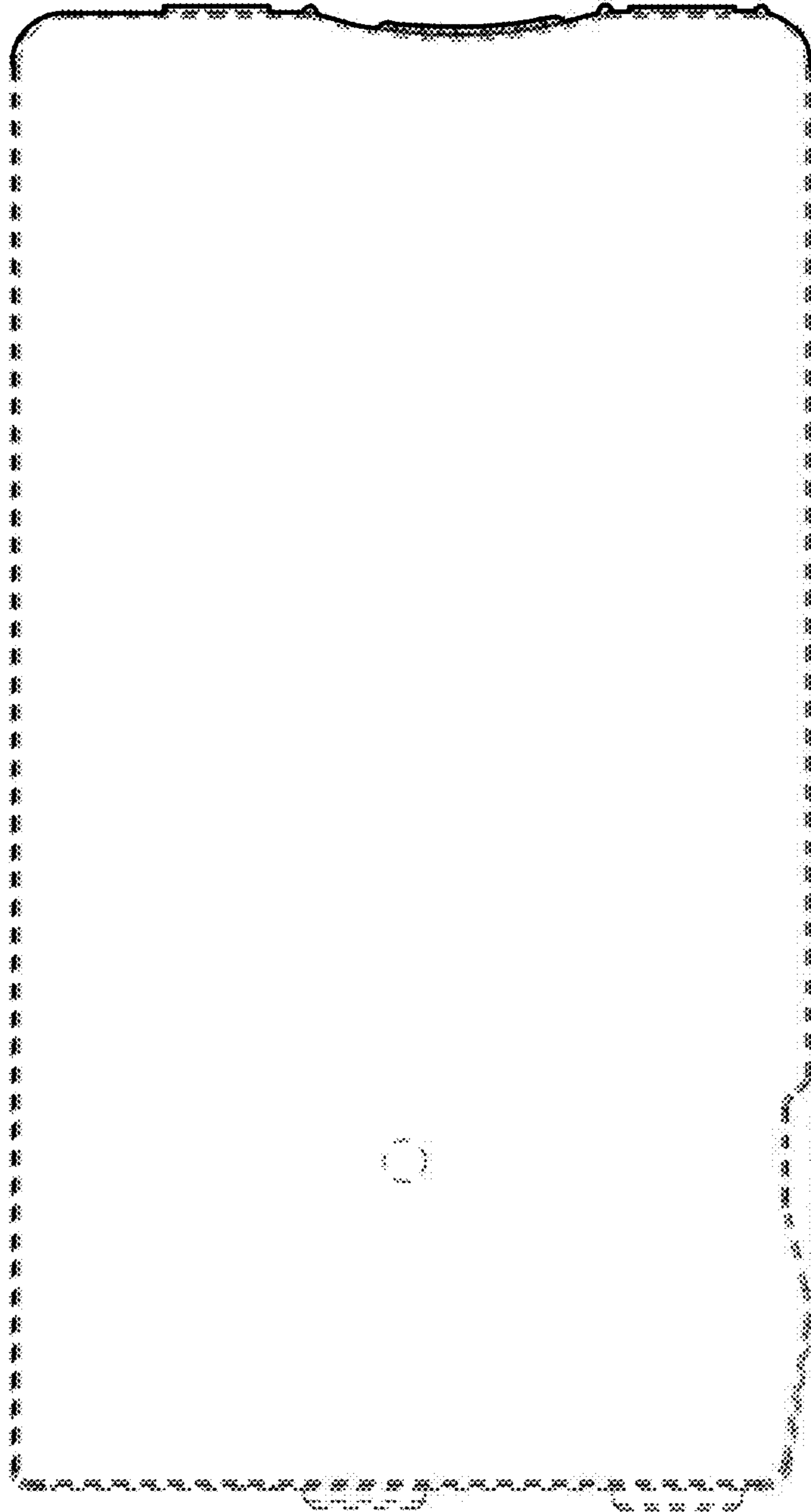


FIG. 7