



US00D960969S

(12) **United States Design Patent** (10) **Patent No.:** **US D960,969 S**
Brown et al. (45) **Date of Patent:** **** Aug. 16, 2022**

(54) **HANDLE FOR A MULTIFUNCTION PRINTING MACHINE**

(71) Applicant: **XEROX CORPORATION**, Norwalk, CT (US)

(72) Inventors: **Donald A Brown**, Honeoye Falls, NY (US); **Megumi Okubo**, Kanagawa (JP); **Ohgi Kazuyuki**, Kanagawa (JP); **Tsutomu Shiihara**, Kanagawa (JP)

(73) Assignee: **Xerox Corporation**, Norwalk, CT (US)

(**) Term: **15 Years**

(21) Appl. No.: **29/696,339**

(22) Filed: **Jun. 27, 2019**

Related U.S. Application Data

(62) Division of application No. 29/594,176, filed on Feb. 16, 2017, now Pat. No. Des. 857,793.

(51) **LOC (13) Cl.** **18-02**

(52) **U.S. Cl.**
USPC **D18/56**

(58) **Field of Classification Search**
USPC D2/36, 50, 55-56, 39; D8/315
CPC G03G 21/1633; G06K 15/12; B41J 11/00; B41J 11/58

See application file for complete search history.

(56) **References Cited**

U.S. PATENT DOCUMENTS

D558,266 S	‡	12/2007	Falk	D18/55
D561,249 S	‡	2/2008	Smith	D18/55
D647,133 S	‡	10/2011	Sato	D18/55
D681,724 S	‡	5/2013	Suzuki	D14/467
D715,357 S	‡	10/2014	Kim	D18/55
D800,214 S	‡	10/2017	Sato	D18/50
D820,907 S	‡	6/2018	Brown	D18/53

D857,793 S	*	8/2019	Brown	D18/56
D896,884 S	*	9/2020	Kim	D18/50
D899,515 S	*	10/2020	Kim	D18/50
D907,701 S	*	1/2021	Hayashi	D18/50
D914,084 S	*	3/2021	Takeuchi	D18/55
D927,283 S	*	8/2021	Jeffries	D8/315
2018/0101114 A1	‡	4/2018	Takeuchi	G03G 21/1633
2021/0063946 A1	*	3/2021	Watanabe	G03G 21/1619

(Continued)

OTHER PUBLICATIONS

VersaLink B605/B615, reviewed as early as 2017 [online], (retrieved Jan. 11, 2022). Retrieved from the internet, https://www.shop.xerox.com/versalink-b605-b615?utm_source=xcom&utm_medium=referral&utm_campaign=HWshop-VLB605_VLB615-category&_E2%80%A6 (Year: 2017).*

(Continued)

Primary Examiner — Kevin K Rudzinski

Assistant Examiner — J. Thorn, Sr.

(57) **CLAIM**

The ornamental design for a handle for a multifunction printing machine, as shown and described.

DESCRIPTION

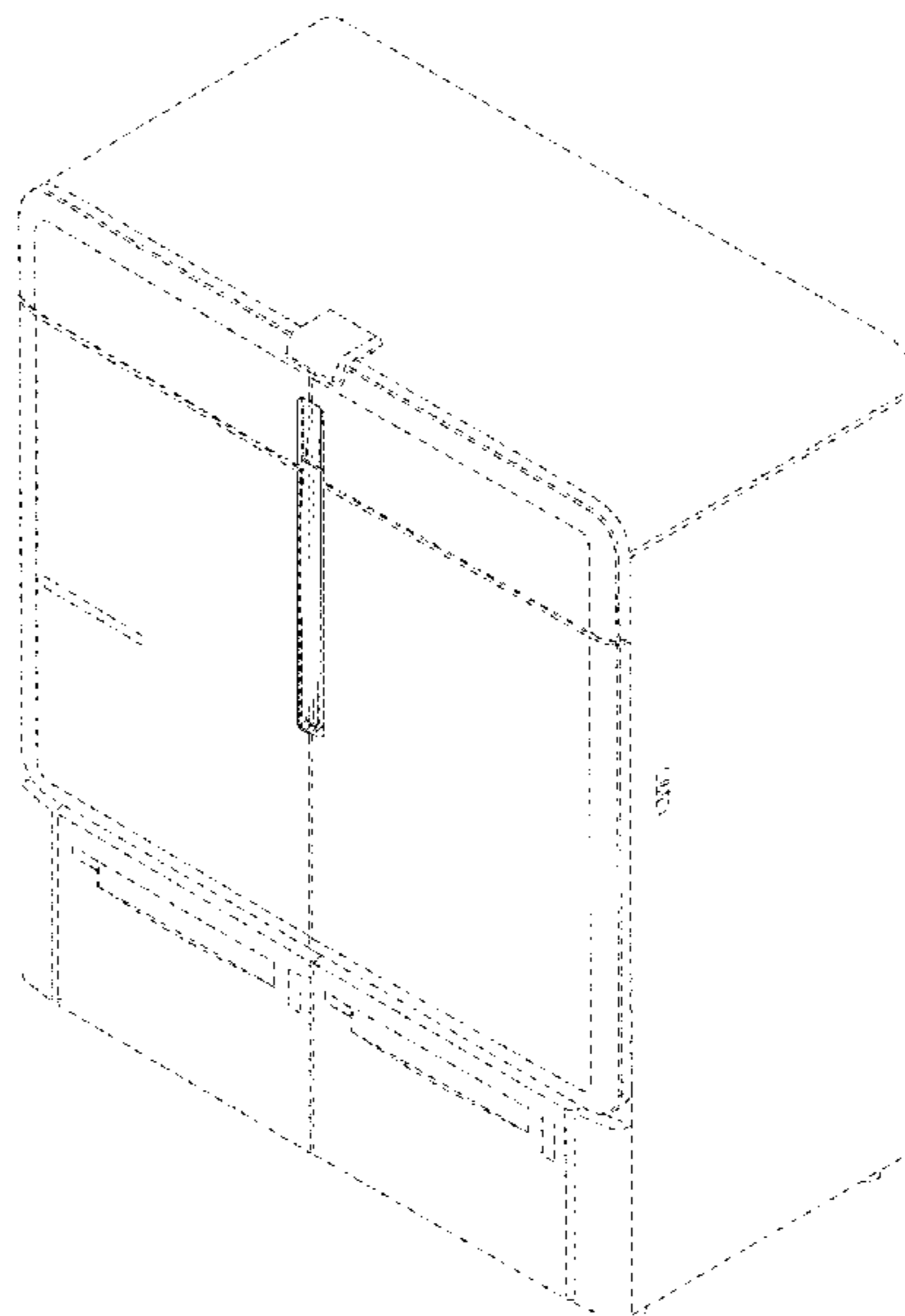
FIG. 1 is a perspective view of a handle for a multifunction printing machine in accordance with the present invention; FIG. 2 is a front view thereof;

FIG. 3 is a cross-sectional view taken along line 3-3 in FIG. 2; and,

FIG. 4 is a cross-sectional view taken along line 4-4 in FIG. 2.

The broken lines in the drawings depict environmental subject matter, are for illustrative purposes only and form no part of the claimed design. The region between the break lines forms part of the claimed invention.

1 Claim, 4 Drawing Sheets



(56)

References Cited

U.S. PATENT DOCUMENTS

2021/0063947 A1* 3/2021 Kataoka G03G 21/1633
2021/0247716 A1* 8/2021 Ichiyangi G03G 21/1633

OTHER PUBLICATIONS

Ironwood Deluxe Machine Stand, posted NA [online], (retrieved Jan. 11, 2022). Retrieved from the internet, <https://www.globalindustrial.com/p/deluxe-machine-stand-30-wide-19-deep-36-high-gray?infoParam.campaignId=T9F&gclid=Cj0KCQiA8vSOBhCkARI%E2%80%A6> (Year: NA).*

* cited by examiner

‡ imported from a related application

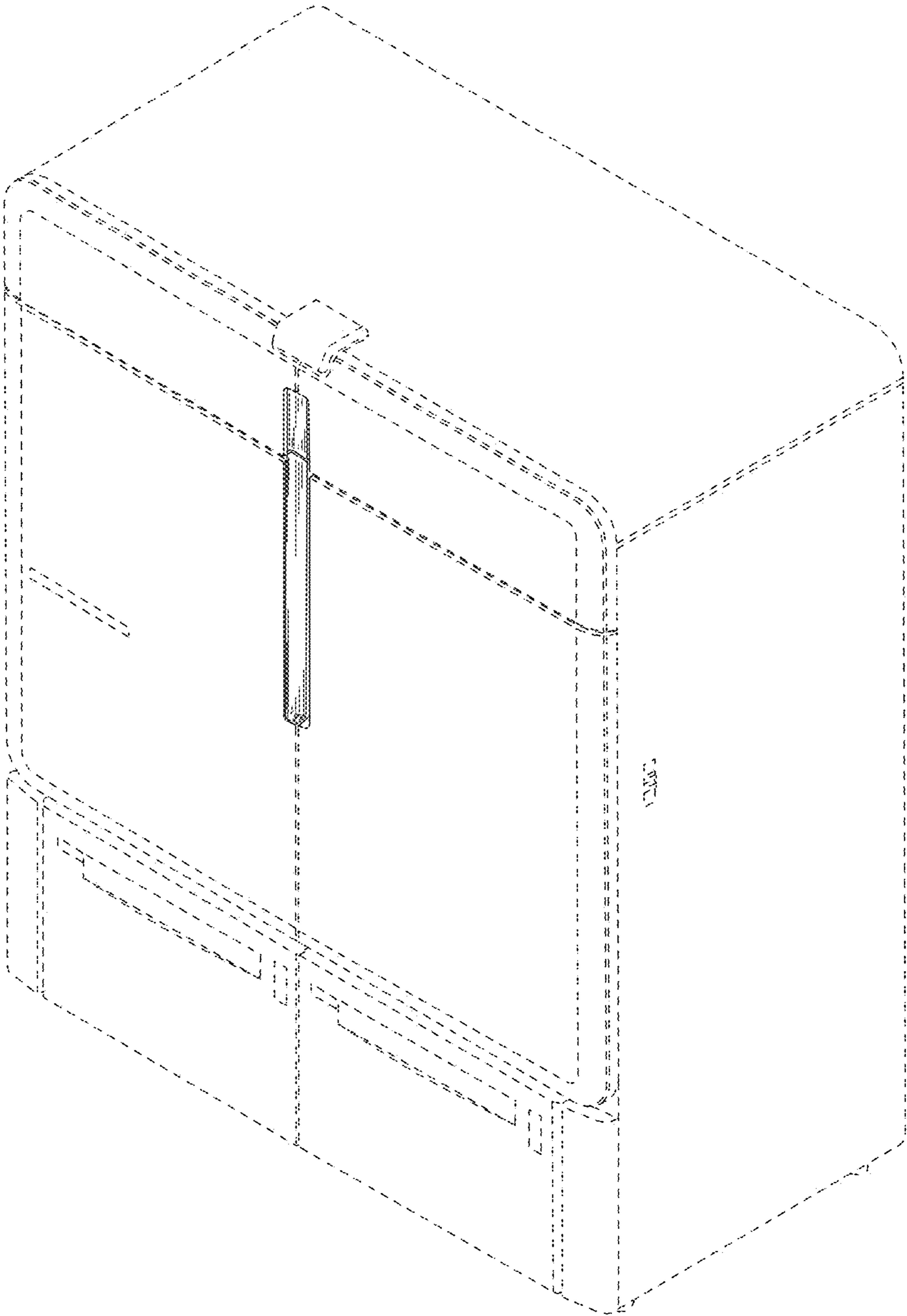


FIG. 1

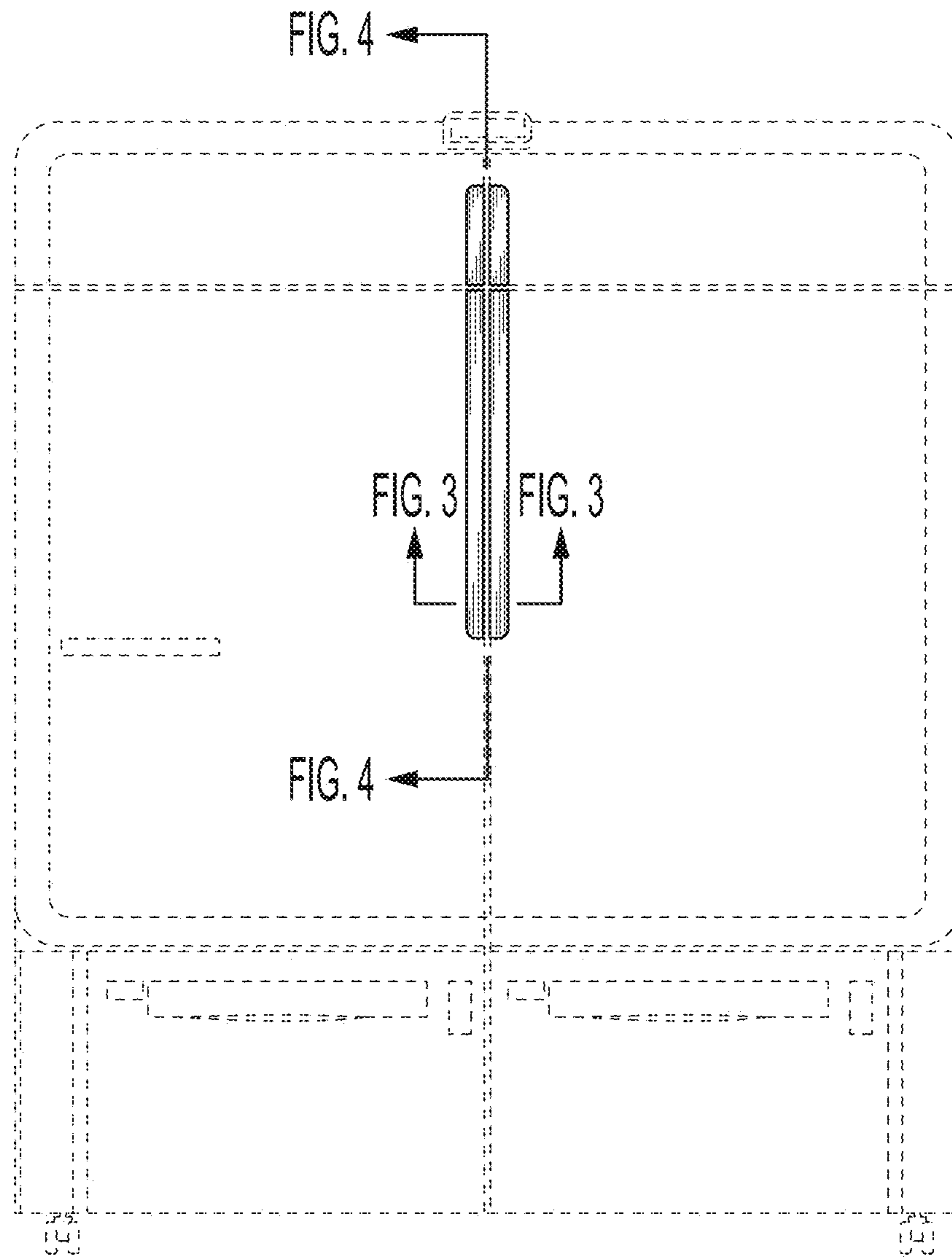


FIG. 2

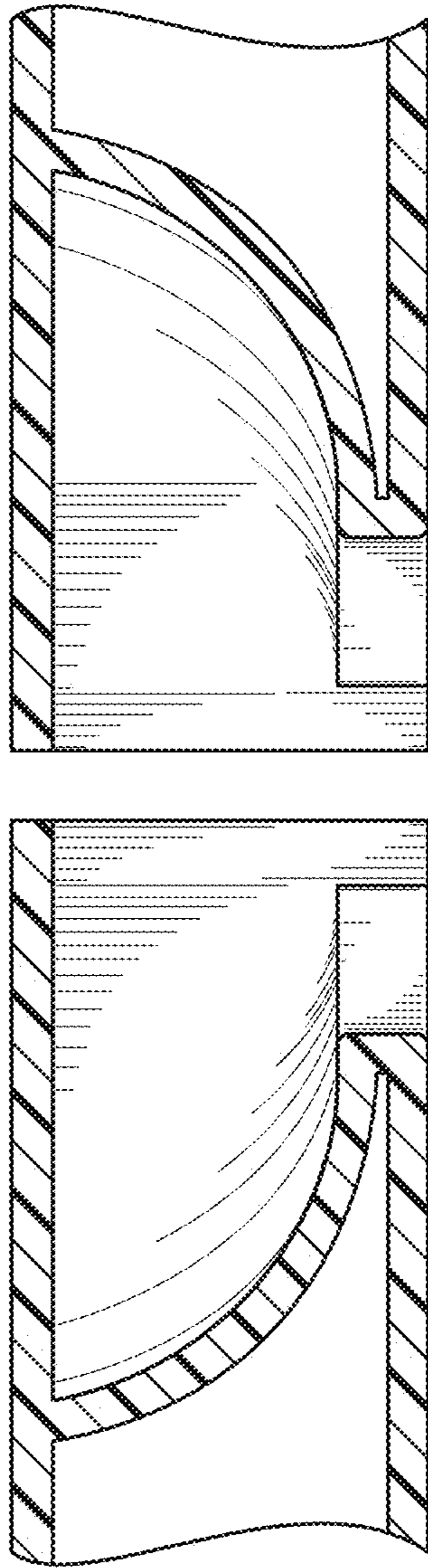


FIG. 3

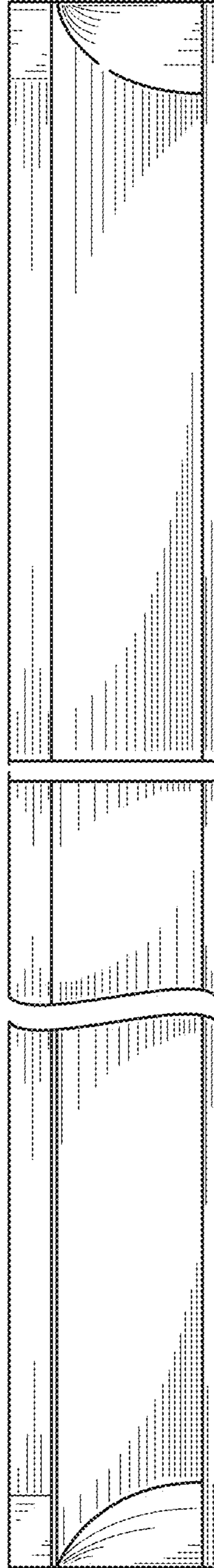


FIG. 4