



US00D960968S

(12) **United States Design Patent**  
**Lin**

(10) **Patent No.:** **US D960,968 S**

(45) **Date of Patent:** **\*\* Aug. 16, 2022**

(54) **MARKING PRESS**

(71) Applicant: **Da Han Industrial Co., Ltd.**, Taichung (TW)

(72) Inventor: **Tzu-Chau Lin**, Taichung (TW)

(73) Assignee: **Da Han Industrial Co., Ltd.**, Taichung (TW)

(\*\*) Term: **15 Years**

(21) Appl. No.: **29/750,126**

(22) Filed: **Sep. 11, 2020**

(51) **LOC (13) Cl.** ..... **19-02**

(52) **U.S. Cl.**  
USPC ..... **D18/15**

(58) **Field of Classification Search**  
USPC ..... D8/15-19, 50, 349, 391, 397-399, 382,  
D8/386, 387; D19/65-68, 70-72  
CPC ..... B44B 5/00; B44B 5/026; B44B 5/0038;  
B44B 5/0052; B44B 5/0085; B41K 5/006  
See application file for complete search history.

(56) **References Cited**

**U.S. PATENT DOCUMENTS**

D4,665 S *	2/1871	Barnes	.....	D18/18
D103,980 S *	4/1937	Sachs	.....	D18/15
D114,149 S *	4/1939	Jackson	.....	D18/15
D186,139 S *	9/1959	Mason	.....	D18/15
3,158,096 A *	11/1964	Arnold	.....	B41K 1/38 101/368
D200,218 S *	2/1965	Curtiss	.....	D8/387
3,227,072 A *	1/1966	Muskin	.....	B41K 1/34 101/103
3,236,141 A *	2/1966	Smith	.....	F16B 23/0007 269/48.3
D257,777 S *	1/1981	Eichenberg	.....	D18/15

D324,062 S *	2/1992	Bengtsson	.....	D18/14
D393,657 S *	4/1998	Bennett	.....	D19/65
D395,676 S *	6/1998	Chiou	.....	D19/65
D397,725 S *	9/1998	Mori	.....	D19/65
D420,049 S *	2/2000	Robillard	.....	D19/65
D427,232 S *	6/2000	Carsel	.....	D18/15
D428,048 S *	7/2000	Carsel	.....	D18/15
D480,103 S *	9/2003	Stefanski	.....	D18/15
D501,884 S *	2/2005	Davies	.....	D19/72
D511,356 S *	11/2005	Oh	.....	D19/72
D532,047 S *	11/2006	Oh	.....	D19/72
D594,735 S *	6/2009	Hofer	.....	D8/349
D682,394 S *	5/2013	Sprouse	.....	D23/231
D712,242 S *	9/2014	Deneve	.....	D8/391
D796,572 S *	9/2017	Lin	.....	D18/15

\* cited by examiner

*Primary Examiner* — Michael C Stout

*Assistant Examiner* — Fritzgerald L Butac

(74) *Attorney, Agent, or Firm* — Alan D. Kamrath; Karin L. Williams; Mayer & Williams PC

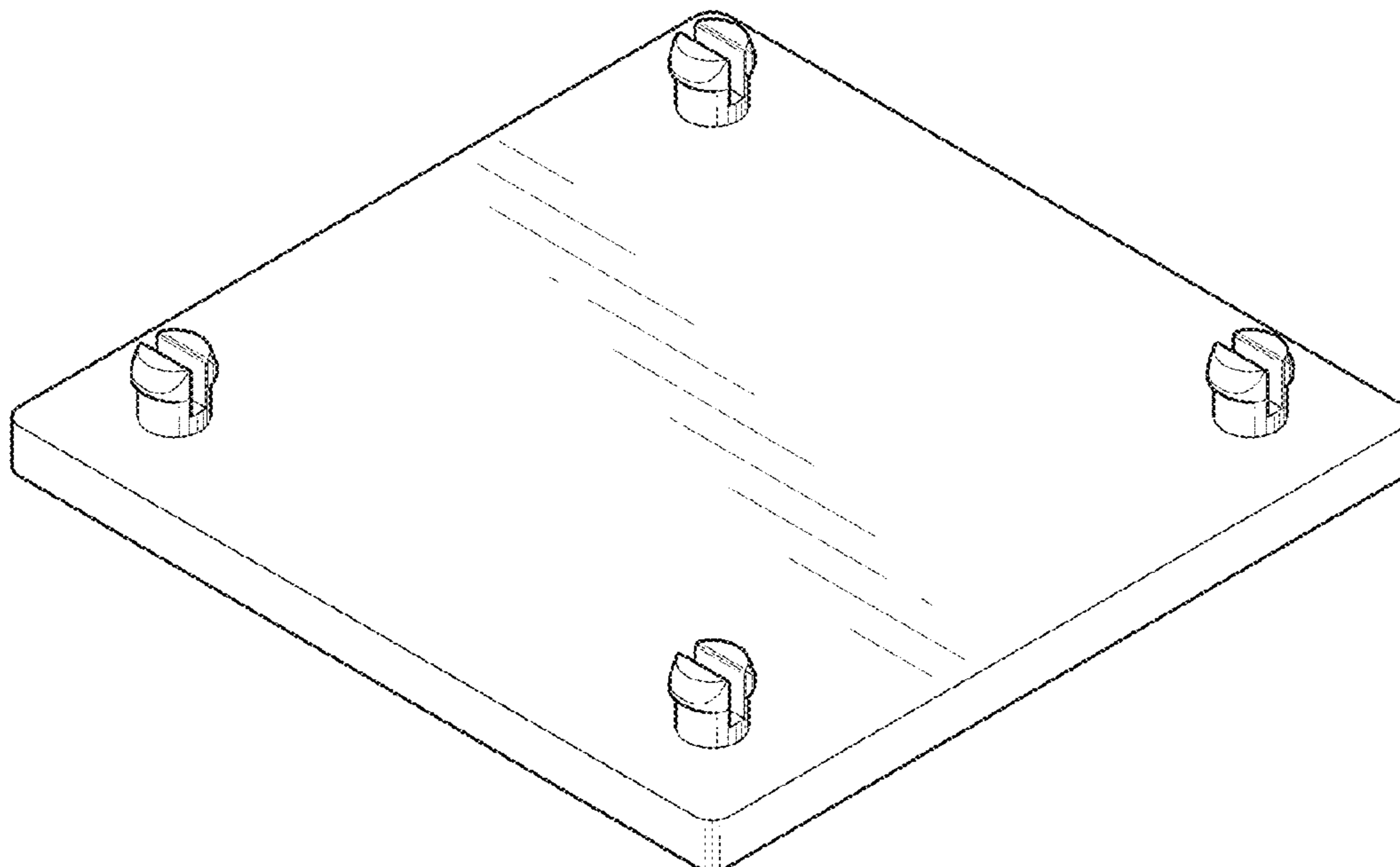
(57) **CLAIM**

The ornamental design for a marking press, as shown and described.

**DESCRIPTION**

FIG. 1 is a perspective view of a marking press showing my new design;  
FIG. 2 is a front view and rear view thereof;  
FIG. 3 is a left view and right view thereof;  
FIG. 4 is a top view thereof; and,  
FIG. 5 is a bottom view thereof.  
The broken lines in the figures show portions of the marking press that form no part of the claimed design.

**1 Claim, 4 Drawing Sheets**



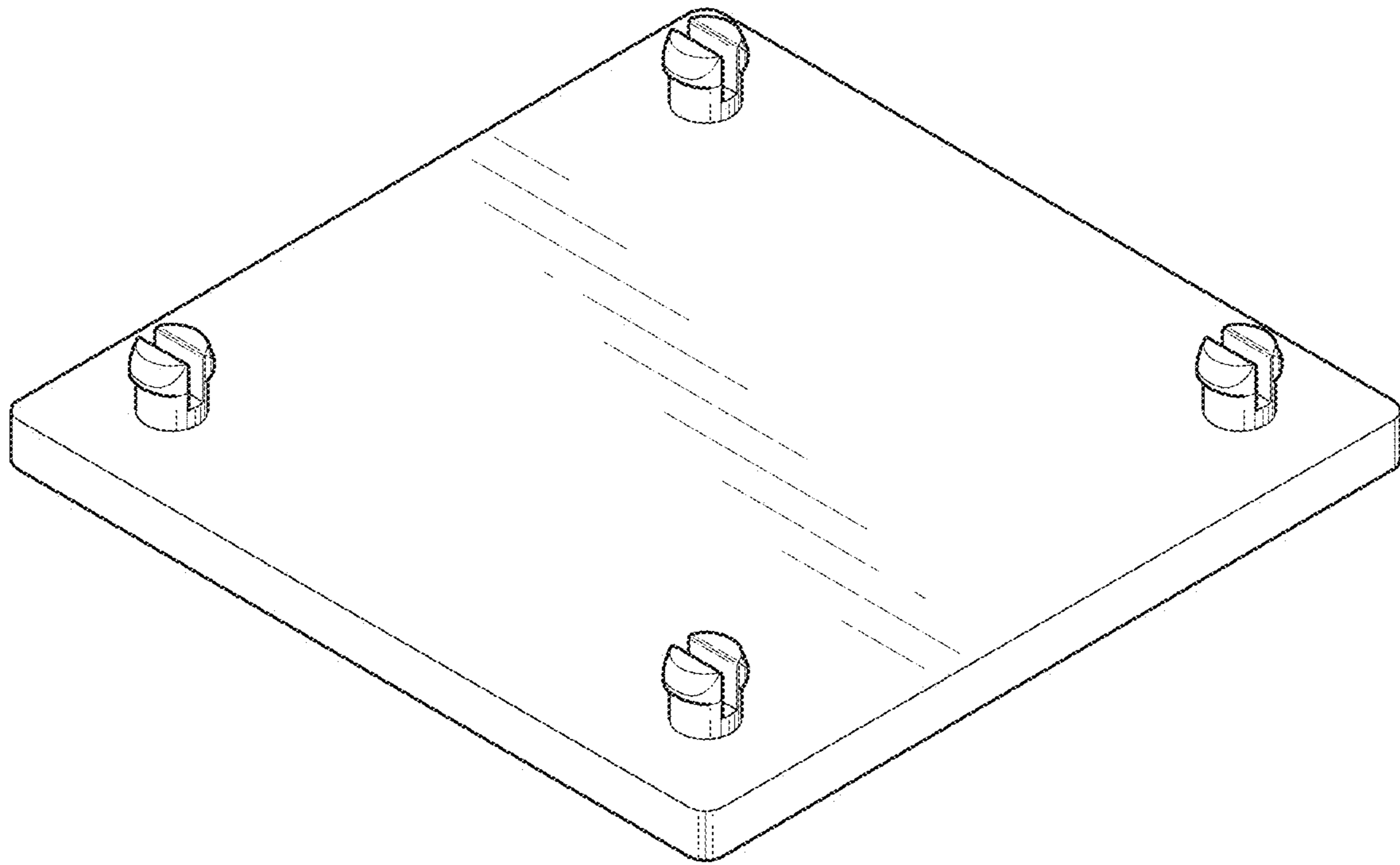


FIG.1

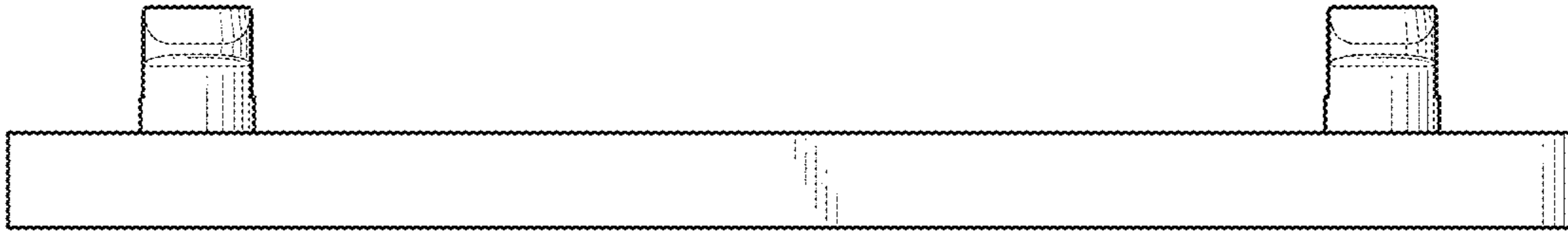


FIG.2

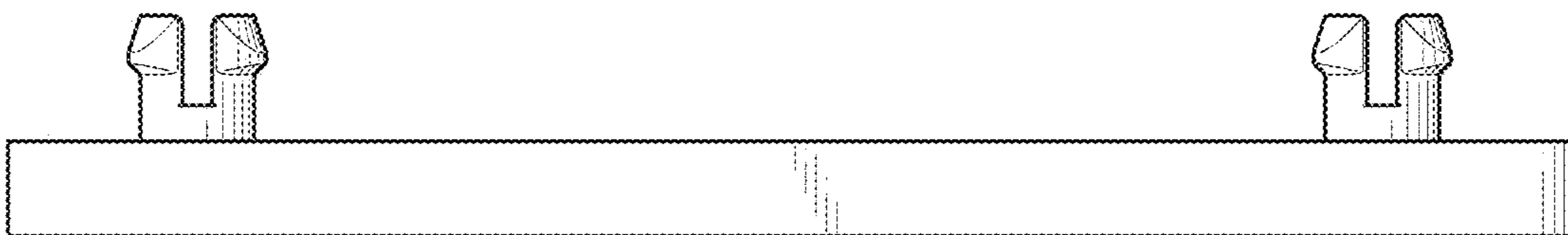


FIG.3

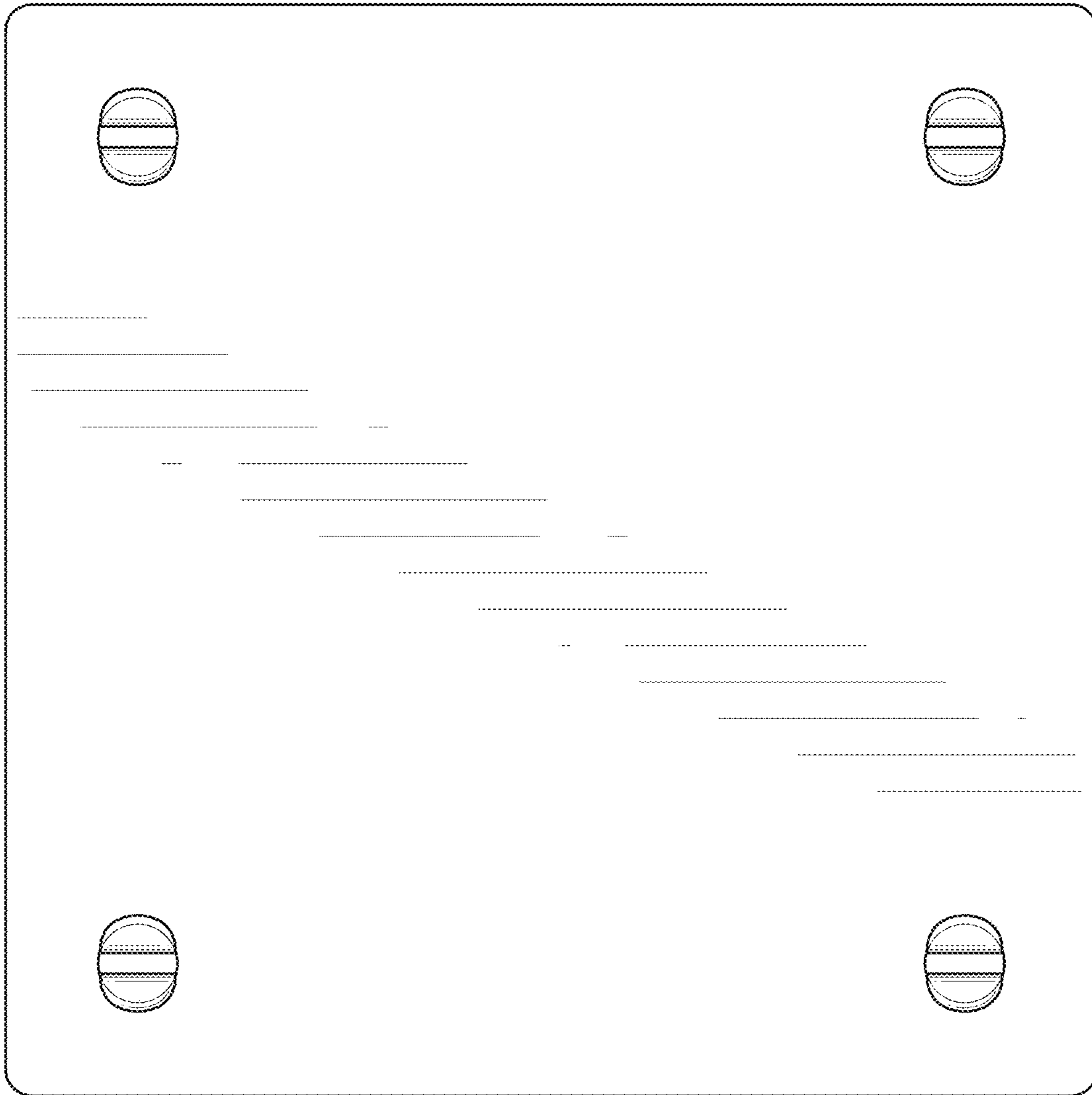


FIG.4

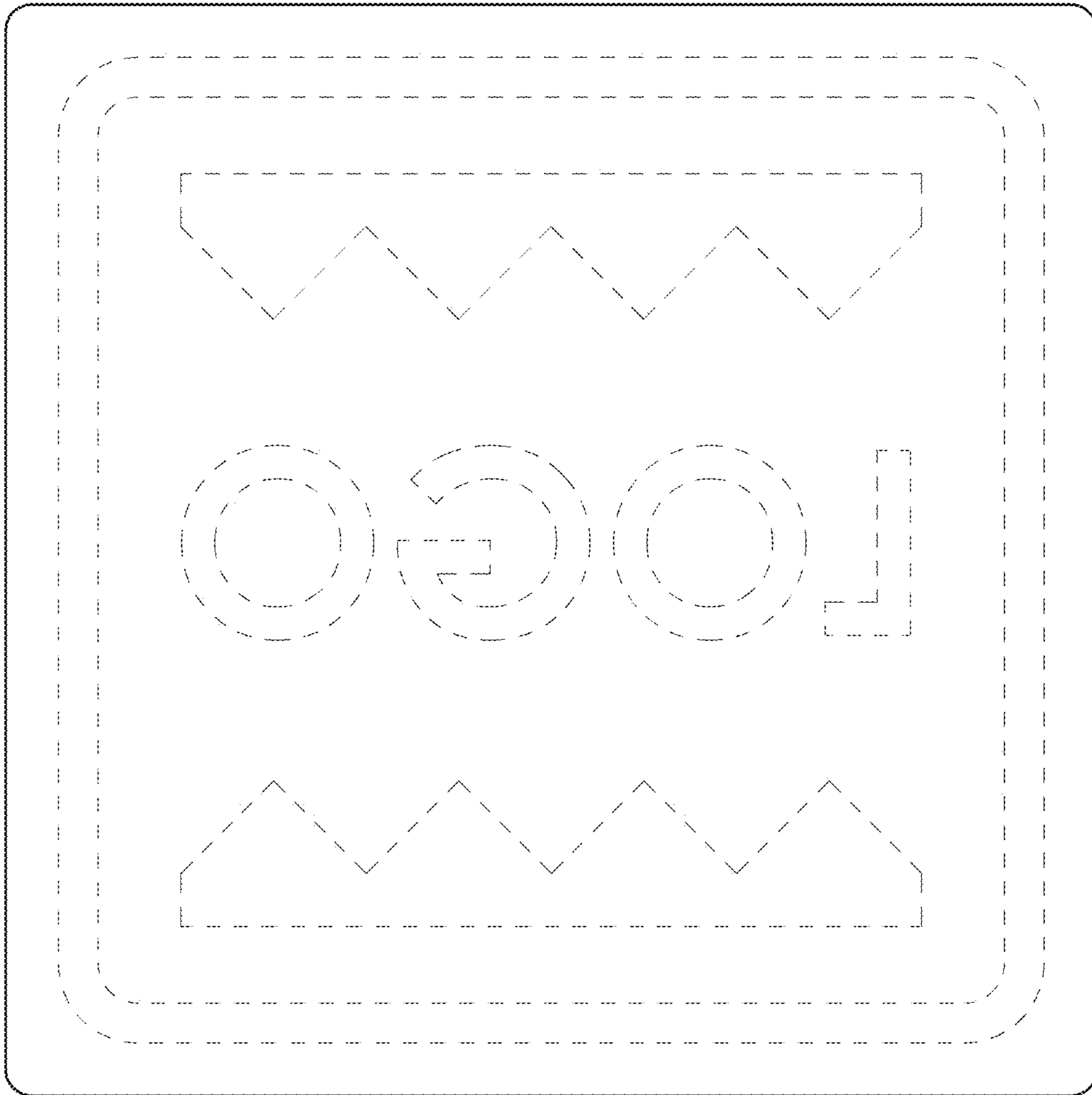


FIG. 5