



US00D960967S

(12) **United States Design Patent** (10) **Patent No.:** **US D960,967 S**
Chen (45) **Date of Patent:** **** Aug. 16, 2022**

(54) **EYE MASK**

(71) Applicant: **Ningbo Chen**, Puning (CN)

(72) Inventor: **Ningbo Chen**, Puning (CN)

(**) Term: **15 Years**

(21) Appl. No.: **29/757,483**

(22) Filed: **Nov. 6, 2020**

(51) **LOC (13) Cl.** **16-06**

(52) **U.S. Cl.**
USPC **D16/301**

(58) **Field of Classification Search**
USPC D16/300, 301
CPC A61F 9/04
See application file for complete search history.

(56) **References Cited**

U.S. PATENT DOCUMENTS

D285,624 S *	9/1986	Rosenbaum	D29/108
D465,234 S *	11/2002	Gordon	D16/301
D489,749 S *	5/2004	Landvik	A61F 9/04
				D16/301
D631,500 S *	1/2011	Schenk	D16/301
10,575,080 B2 *	2/2020	Dowding-Young	
				H04R 1/1041
11,207,215 B2 *	12/2021	Bamberg	A61F 9/04
2019/0110927 A1 *	4/2019	Schwarz	A61F 9/045

OTHER PUBLICATIONS

Kordelio Sleep Eye Mask, posted at amazon.com, posting date Dec. 5, 2019, [online], [site visited Jun. 14, 2022]. Available from Internet, URL: <https://www.amazon.com/Kordelio-Blocking-Sleeping-Blindfold-Accessory/dp/B07XJ64DWK> (Year: 2019).*

Manta Weighted Mask, posted at mantasleep.com, posting date not given, [online], [site visited Jun. 14, 2022]. Available from Internet, URL: <https://mantasleep.com/products/manta-weighted-mask> (Year: 2022).*

Snoozewear Sleep Mask, posted at casper.com, posting date not given, [online], [site visited Jun. 14, 2022]. Available from Internet, URL: <https://casper.com/snoozewear-sleep-mask/> (Year: 2022).*

Tempur-Sleep Mask, posted at tempurpedic.com, posting date not given, [online], [site visited Jun. 14, 2022]. Available from Internet, URL: <https://www.tempurpedic.com/other-products/sleep-mask/v/797/> (Year: 2022).*

Travel Sleep Mask, posted at awaytravel.com, posting date Apr. 13, 2021, [online], [site visited Jun. 14, 2022]. Available from Internet, URL: <https://www.awaytravel.com/accessories/sleep-mask> (Year: 2021).*

Wrap-a-Nap Travel Pillow, posted at amazon.com, posting date Aug. 1, 2015, [online], [site visited Jun. 14, 2022]. Available from Internet, URL: <https://www.amazon.com/Wrap-NapTM-Adjustable-Washable-One-Size-Fits-All/dp/B00ZTC56O4> (Year: 2015).*

* cited by examiner

Primary Examiner — Maria J. Edwards

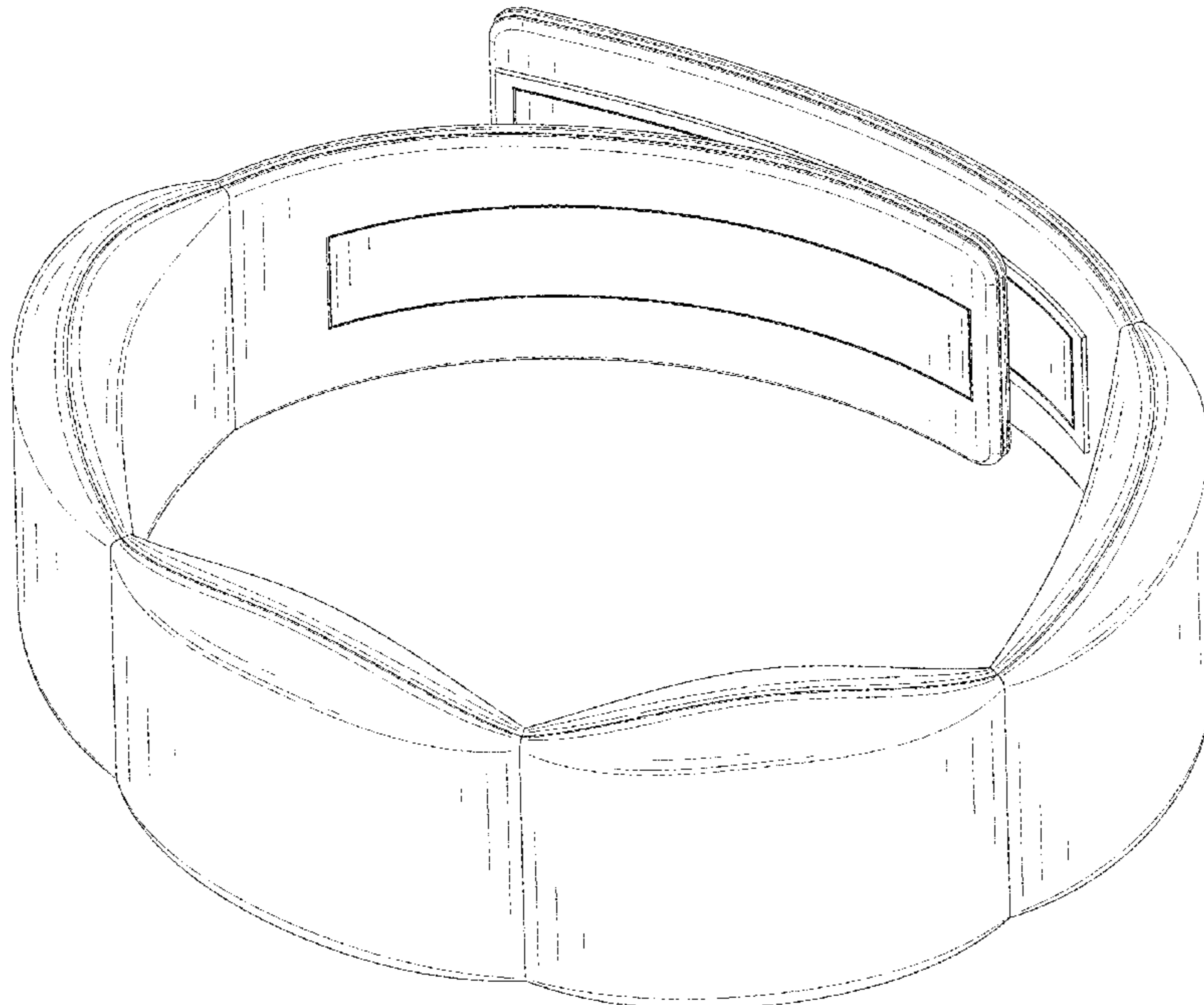
(57) **CLAIM**

The ornamental design for an eye mask, as shown and described.

DESCRIPTION

FIG. 1 is a perspective view of an eye mask showing my new design;
FIG. 2 is another perspective view thereof;
FIG. 3 is a front elevational view thereof;
FIG. 4 is a rear elevational view thereof;
FIG. 5 is a left side elevational view thereof;
FIG. 6 is a right side elevational view thereof;
FIG. 7 is a top plan view thereof; and,
FIG. 8 is a bottom plan view thereof.

1 Claim, 8 Drawing Sheets



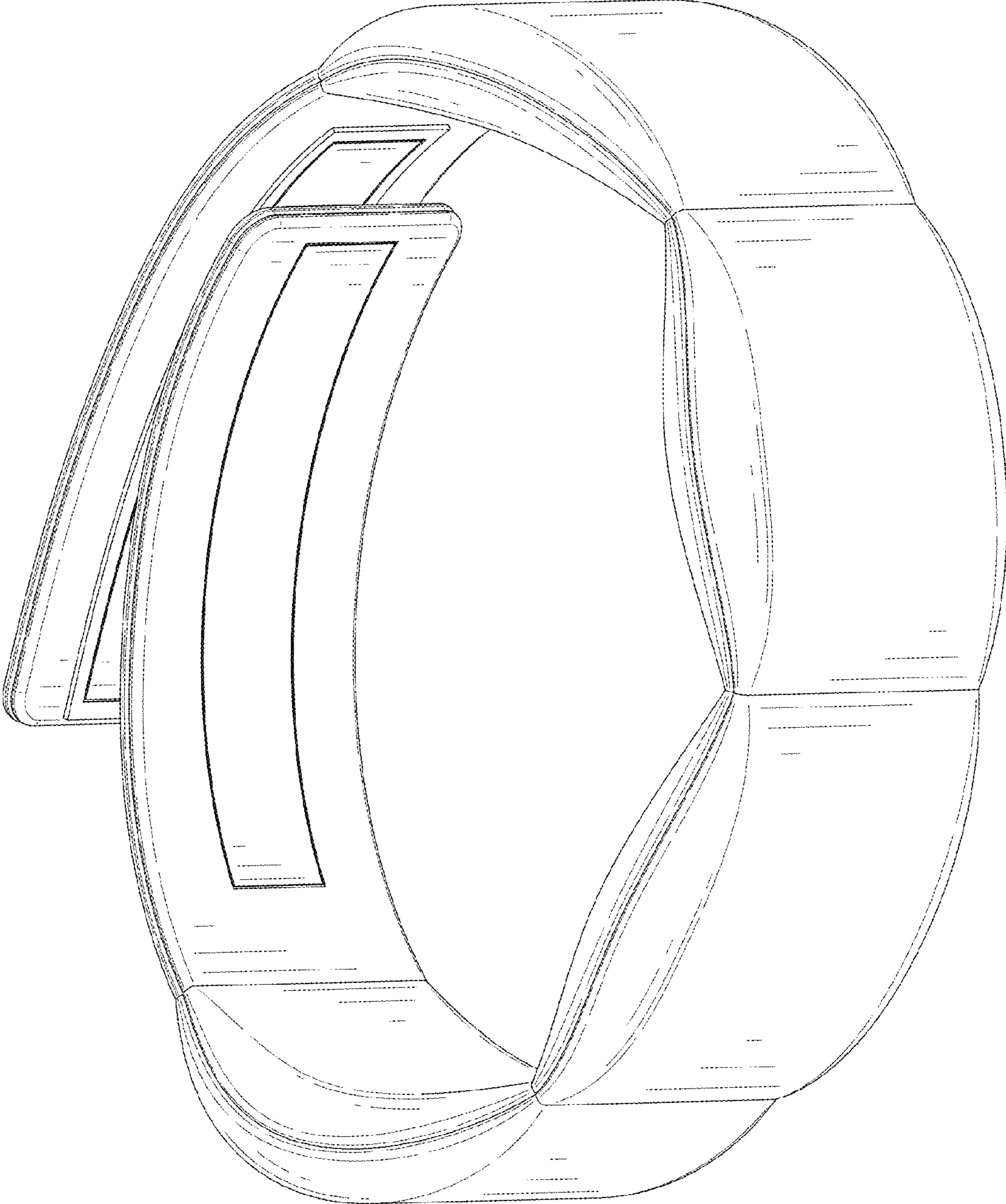


FIG. 1

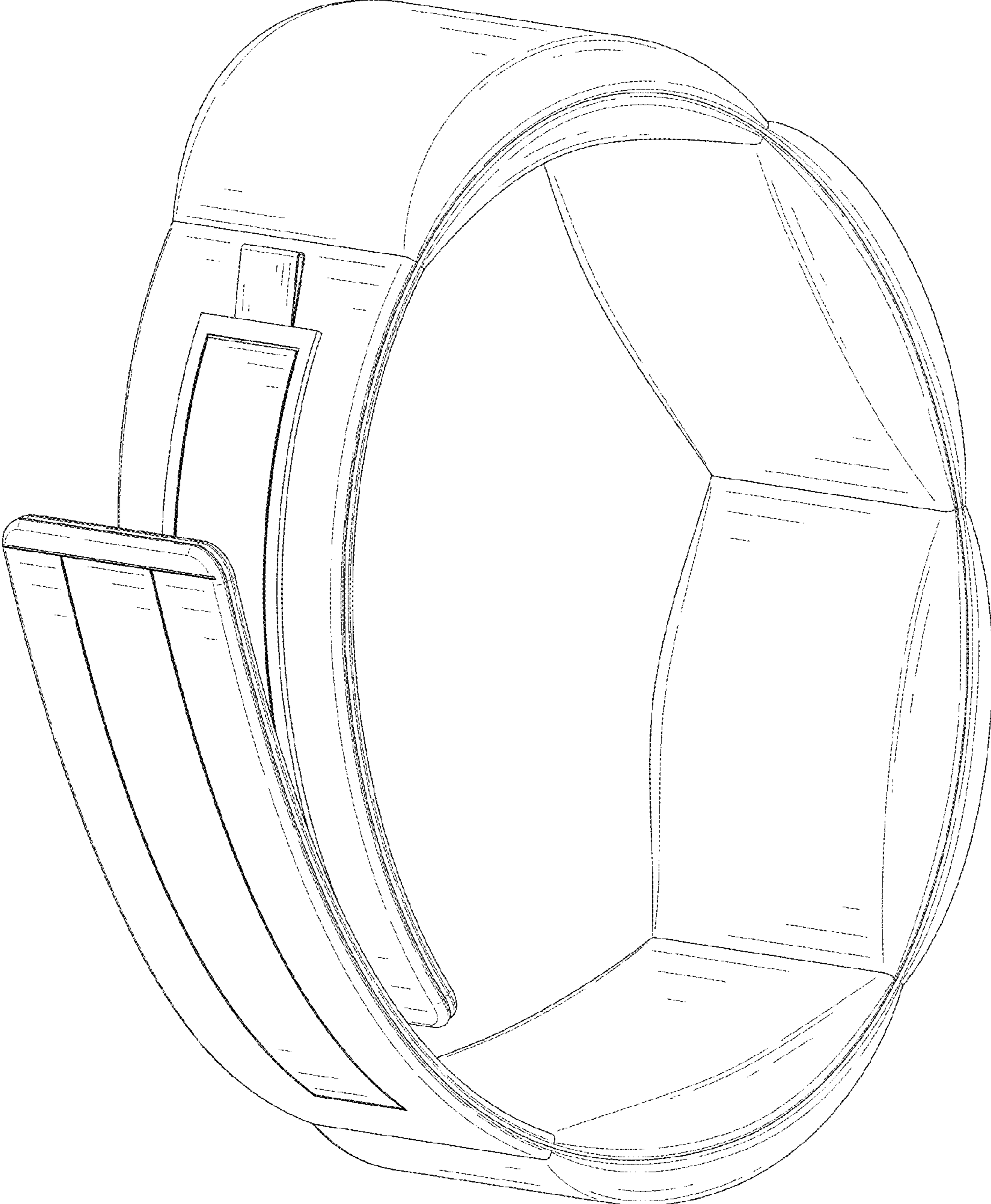


FIG. 2

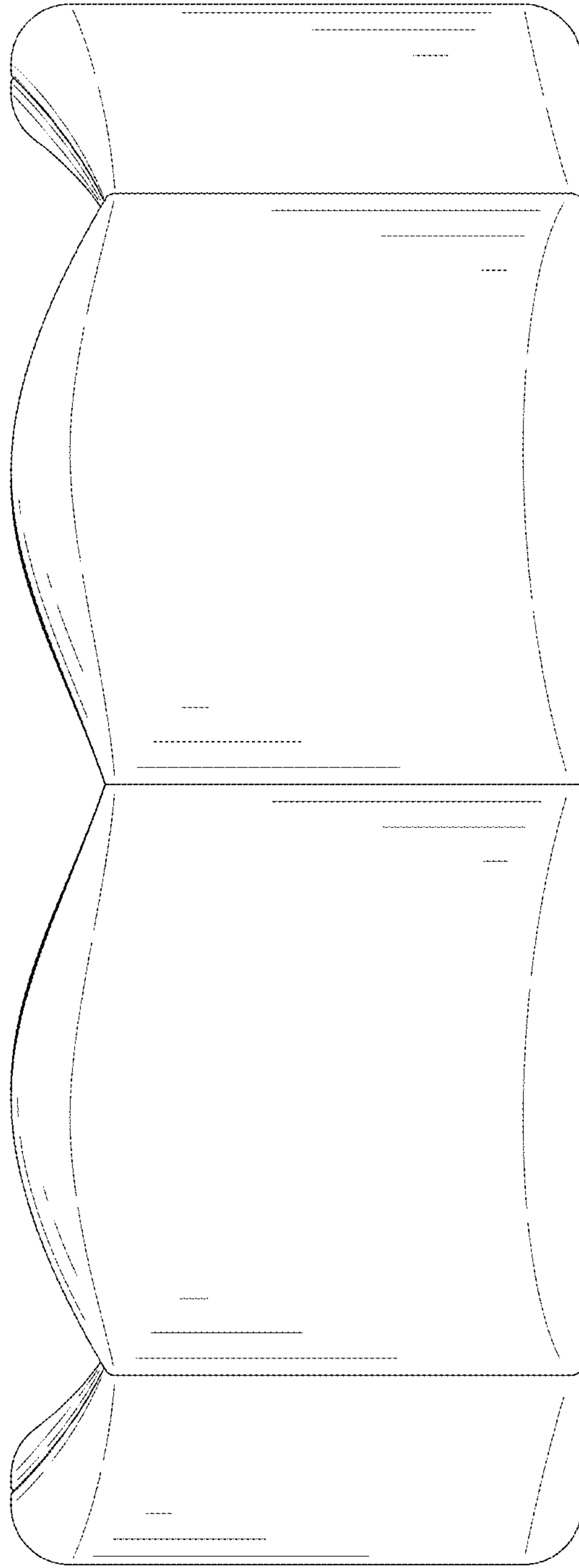


FIG. 3

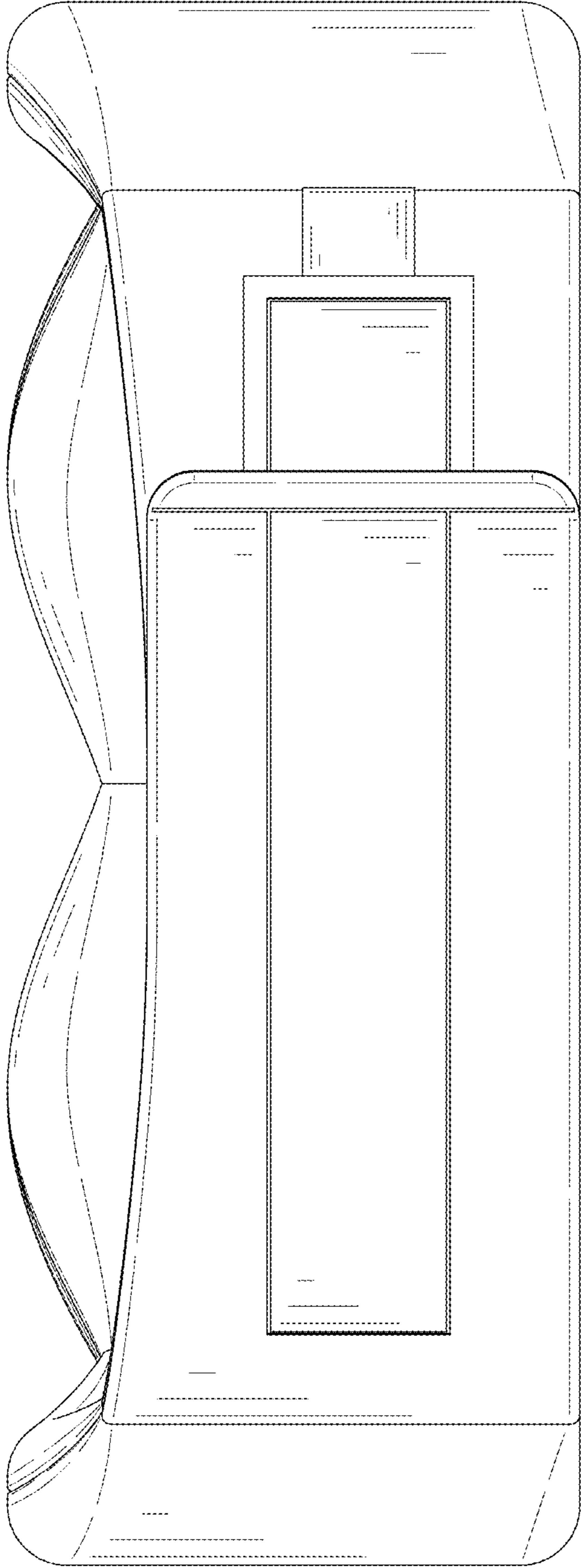


FIG. 4

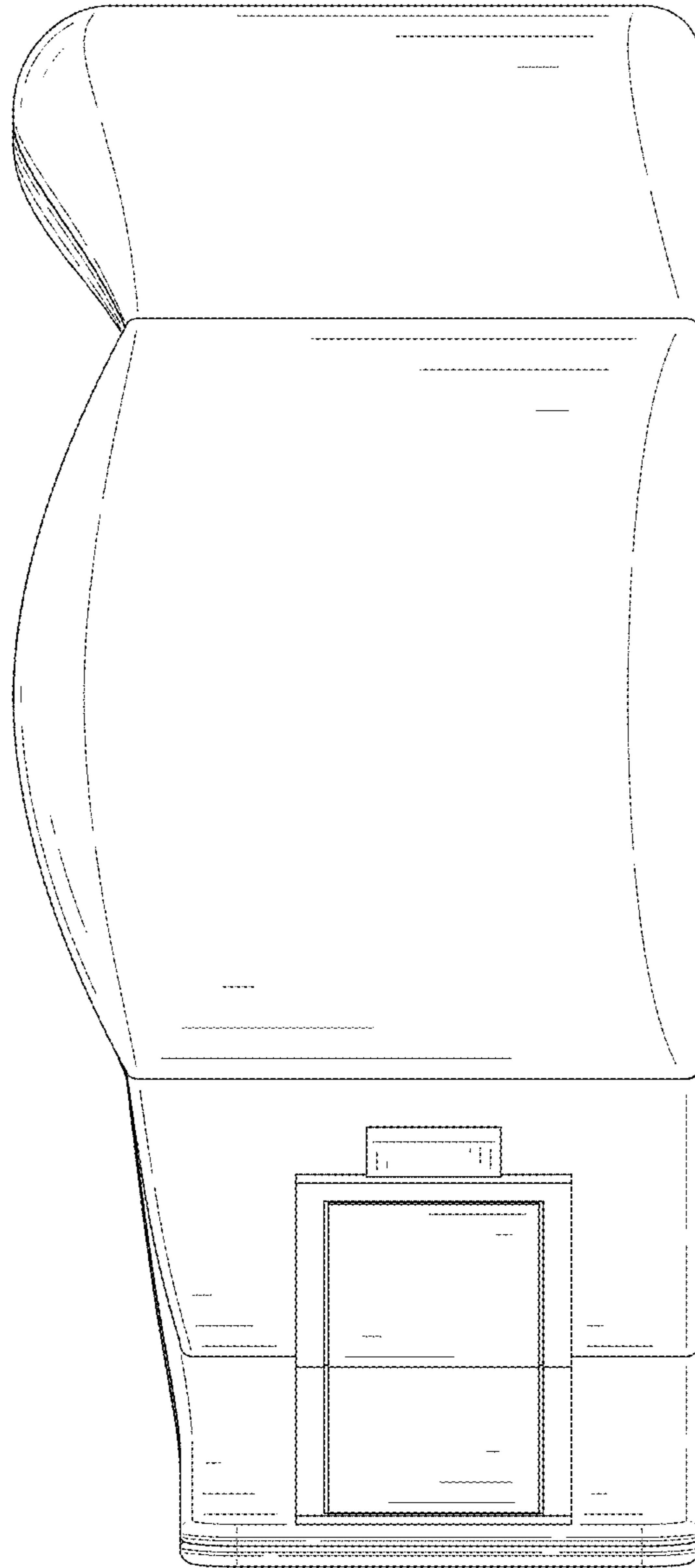


FIG. 5

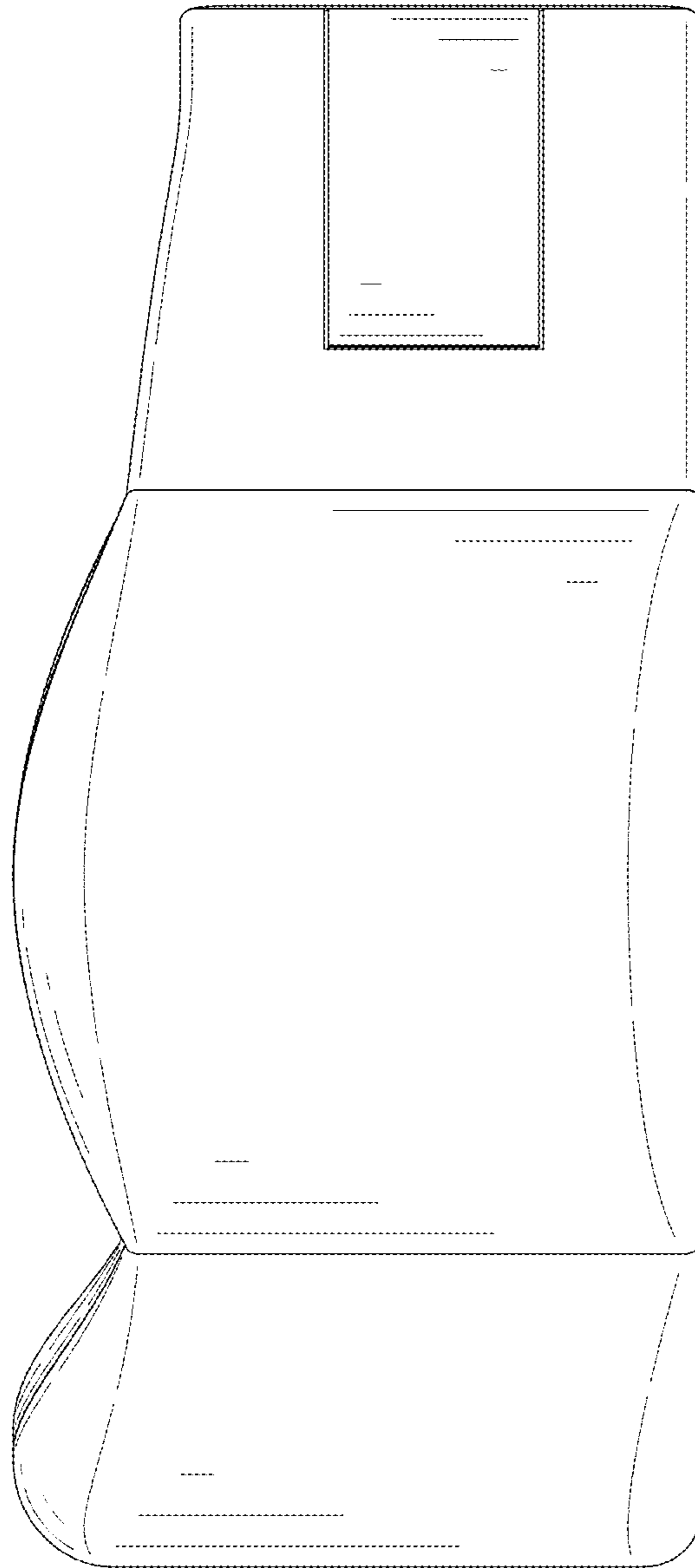


FIG. 6

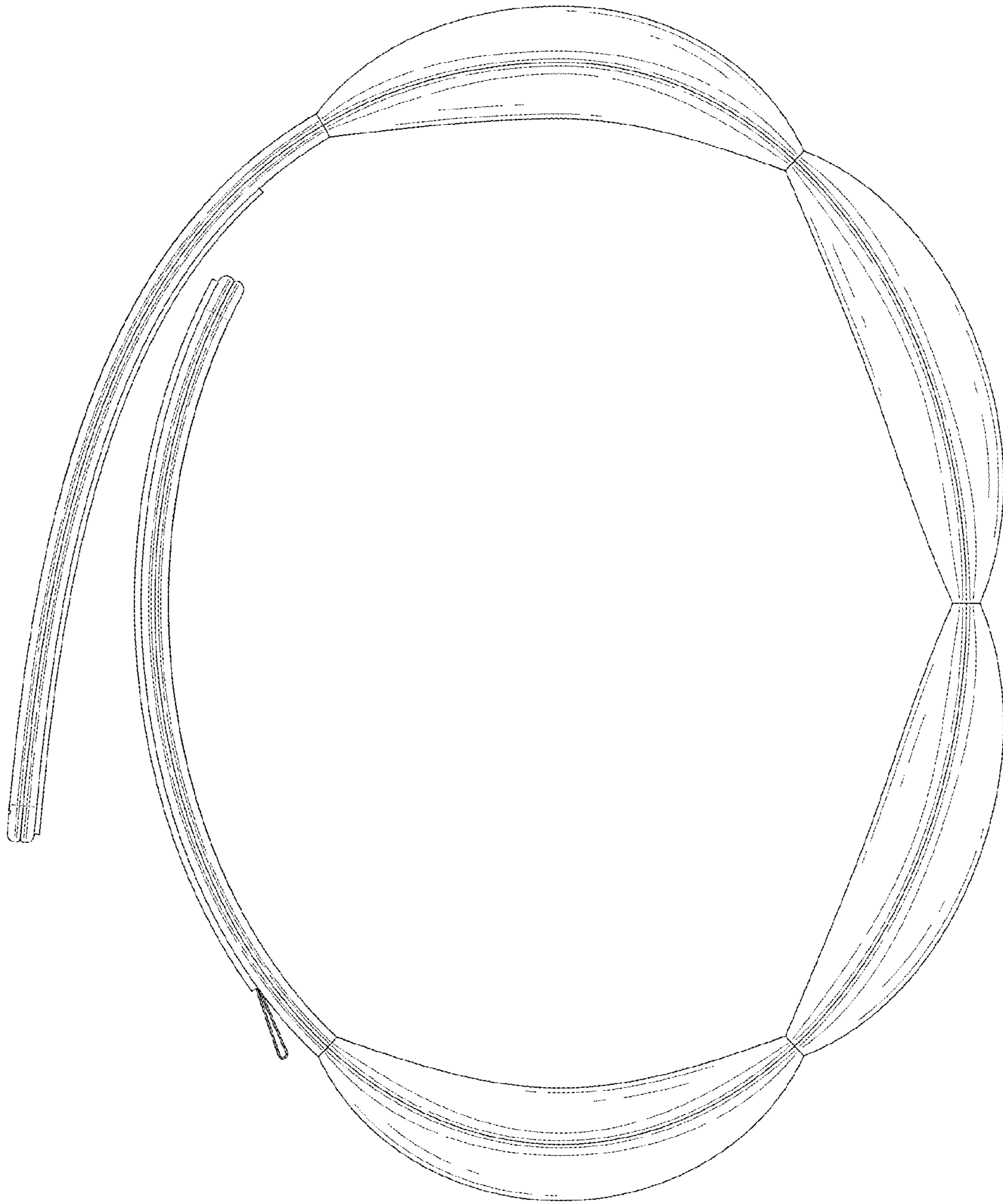


FIG. 7

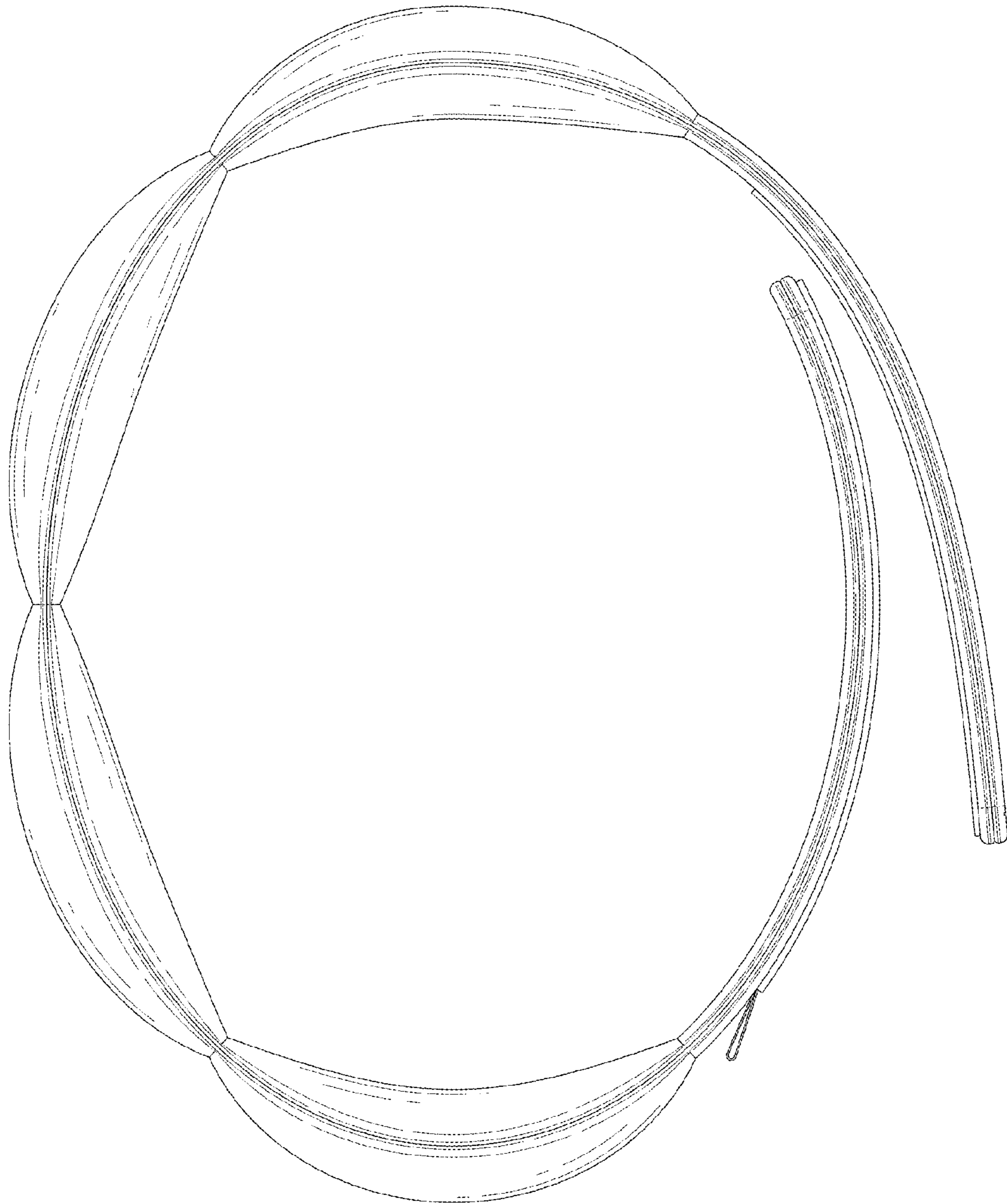


FIG. 8