



US00D960964S

(12) **United States Design Patent** (10) **Patent No.:** **US D960,964 S**
Laubenthal (45) **Date of Patent:** **** Aug. 16, 2022**

(54) **CAMERA BRACKET**

FOREIGN PATENT DOCUMENTS

(71) Applicant: **Todd Laubenthal**, Groveport, OH (US)

JP D1144423 * 6/2002
PH 3-2011-554-0001 * 3/2012

(72) Inventor: **Todd Laubenthal**, Groveport, OH (US)

(**) Term: **15 Years**

OTHER PUBLICATIONS

(21) Appl. No.: **29/743,172**

PULUZ Motorcycle Mirror/Pinch Bolt Mount Fixed Metal Bike Holder Mount, product available May 6, 2016 [online], pictured review Jun. 25, 2020 [online], [site visited Feb. 24, 2022]:URL:<https://www.amazon.com/PULUZ-Motorcycle-Mirror-Holder-Session/dp/B01F8HEVB8> (Year: 2016).*

(22) Filed: **Jul. 20, 2020**

(51) **LOC (13) Cl.** **16-05**

(52) **U.S. Cl.**
USPC **D16/242**

(Continued)

(58) **Field of Classification Search**

Primary Examiner — Sanjeev Paul

USPC D8/300, 303, 306, 307, 321, 323, 324,
D8/325, 349, 354, 363, 373, 394;
D14/313, 316, 317, 324, 341, 372, 375,
D14/376, 377, 432, 203.3, 203.5, 482,
D14/224, 217, 229, 250, 251, 345, 253;
D16/200, 204, 206, 208, 211, 213–219,
D16/234, 235, 236, 237–250, 136, 203.8,
D16/194, 195; D21/329, 330, 331, 333,
D21/385, 514; 20/10, 41–43

Assistant Examiner — Loryn Korrine Leblanc

(74) *Attorney, Agent, or Firm* — Vincent G. LoTempio

CPC F16M 11/00; F16M 11/06; F16M 11/08;
F16M 11/10; F16M 11/14; F16M 11/18;
F16M 11/20; F16M 11/041; F16M
11/105; F16M 11/2007; F16M 11/2014;
F16M 11/2021; F16M 11/2028; F16M
11/2035; F16M 13/00; F16M 13/005;
F16M 13/02; F16M 13/04; F16M 13/06;
F16M 2200/00; F16M 2200/04; F16M
2200/08; F16M 2200/041; F16M
2200/042; F16M 2200/044; F16M
2200/045; F16M 2200/047; F16M
2200/048; G01C 21/18;

(57) **CLAIM**

The ornamental design for a camera bracket, as shown and described.

(Continued)

DESCRIPTION

FIG. 1 is a perspective view showing my new design; FIG. 2 is an environmental view showing the camera bracket on the outside of a vehicle door, the broken lines depict the side mirror and the outside of a vehicle door of which the camera bracket is mounted to, and which forms no part of the claimed inventions thereof; FIG. 3 is the front view thereof; FIG. 4 is the rear view thereof; FIG. 5 is the right side view thereof; FIG. 6 is a top view thereof; and, FIG. 7 is a bottom view thereof. The left side view is not depicted and mirrors the right side view in FIG. 5; and The broken lines in FIG. 2 depict environmental structures of a camera and exterior vehicle door and form no part of the claimed invention.

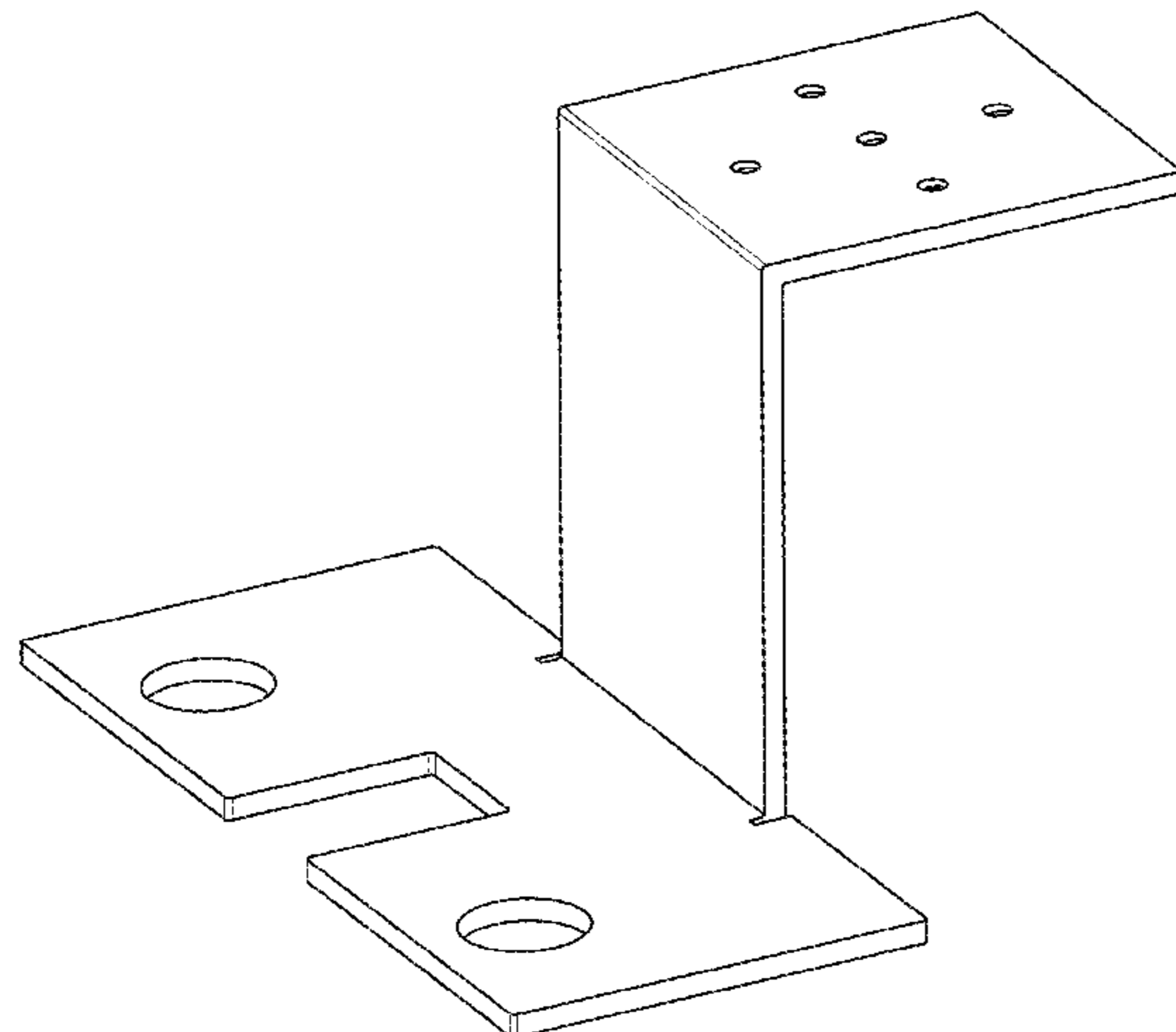
(56) **References Cited**

U.S. PATENT DOCUMENTS

3,811,104 A * 5/1974 Caldwell H01R 13/6395
439/373
D246,346 S * 11/1977 Strunk D8/399

(Continued)

1 Claim, 7 Drawing Sheets



(58) **Field of Classification Search**

CPC G03B 17/561; G03B 17/563; A47F 5/08;
 B60G 2204/4307; B60G 2204/41043;
 E06C 7/083; F21S 8/043; F24D 19/0209;
 H04N 2201/02485; Y10T 16/19; Y10T
 16/373

See application file for complete search history.

(56) **References Cited**

U.S. PATENT DOCUMENTS

D287,164 S	*	12/1986	Piesco	D23/252
D325,564 S	*	4/1992	Lemke	D13/154
D379,497 S	*	5/1997	Renfro	D8/307
D400,986 S	*	11/1998	Kanta	D25/199
D401,496 S	*	11/1998	Lambert	D8/354
D407,710 S	*	4/1999	Poulos	D14/251
D442,197 S	*	5/2001	Willet	D15/143
D604,792 S	*	11/2009	Stanley	D22/108
D625,935 S	*	10/2010	Theisen	D20/43
D711,213 S	*	8/2014	Schorn	D8/373
D760,578 S	*	7/2016	Sigona	D8/349
D814,057 S	*	3/2018	Singh	D25/119
D853,377 S	*	7/2019	Crandon	D8/349
D854,400 S	*	7/2019	Haley	D8/354
D899,897 S	*	10/2020	Gustafsson Salmonsson	D8/354
D920,332 S	*	5/2021	Du	D14/375
D921,477 S	*	6/2021	O'Halloran	D8/373

OTHER PUBLICATIONS

Side View Mirror Mounts / Mounting Brackets, product available Sep. 17, 2018 [online], no video/pictured review available [online],

[site visited Feb. 24, 2022]:URL:<https://www.amazon.com/Mirror-Mounting-Brackets-Polaris-Pro-Fit/dp/B07HF5C77Q/ref=pd_lpo_3?pd_rd_i=B07HF5C77Q&psc=1> (Year: 2018).*

Laird Technologies—³/₄ Hole Heavy Duty “Z” Shaped Antenna Mount Bracket, product available Dec. 28, 2010 [online], no video/pictured review available [online], [site visited Feb. 24, 2022]:URL:<https://www.amazon.com/gp/product/B004Z8RT3O/ref=sw_img_1?smid=A1R3Y6LGYUQP2B&psc=1> (Year: 2010).*

UngSung Vehicle Hood & Fender Mount Bracket for CB UHF VHF Ham Radio Antenna Pole Z Mounting Bracket, product available Sep. 22, 2020 [online], no video/pictured review available [online], [site visited Feb. 24, 2022]:URL:<https://www.amazon.com/gp/product/B08JPN3DF3/ref=sw_img_1?smid=A28YRNB8ZXDTL8&psc=1> (Year: 2020).*

Chrome Heavy Duty “Z” Mounting Bracket, product available unknown [online], no video/pictured review available [online], [site visited Feb. 24, 2022]:URL:<https://www.bigrigchromeshop.com/chrome-heavy-duty-mounting-bracket-p-14479.html#.YhfhA_nMJaq> (Year: 2022).*

Eberspacher or Webasto Exhaust Silencer Mount Bracket Z Type, product available unknown [online], no video/pictured review available [online], [site visited Feb. 24, 2022]:URL:<<https://www.butlertechnik.com/eberspacher-or-webasto-exhaust-silencer-mount-bracket-z-type-201533880007-p2471>> (Year: 2022).*

Motorcycle Rearview Mirror Mount Holder for Gopro SJCam, product available unknown [online], pictured review Sep. 2, 2019 [online], [site visited Feb. 24, 2022]:URL:<<https://shopee.ph/-READY-STOCK-Motorcycle-Rearview-Mirror-Mount-Holder-for-Gopro-SJCam-i.83216412.1715700901>> (Year: 2019).*

* cited by examiner

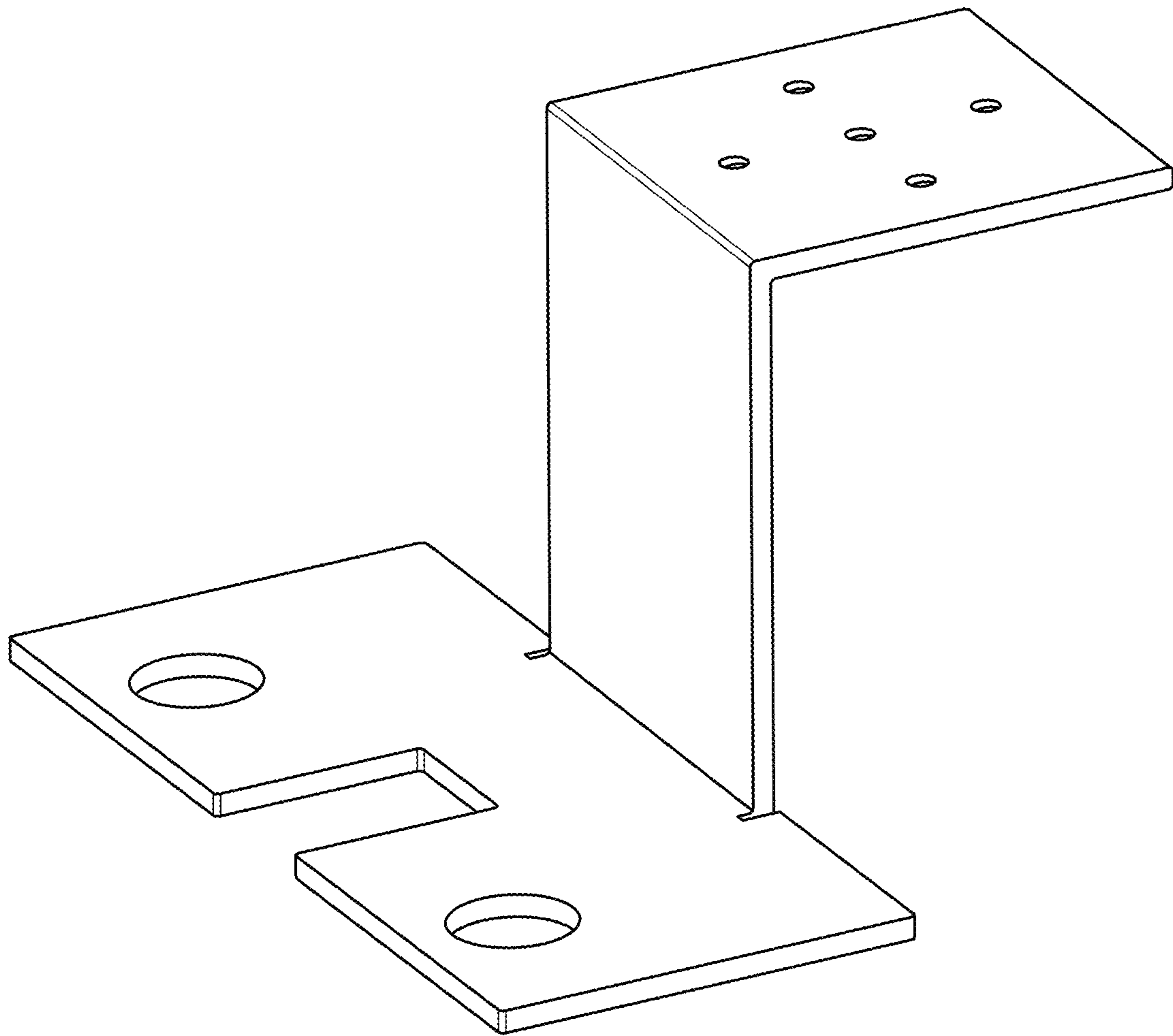


FIG. 1

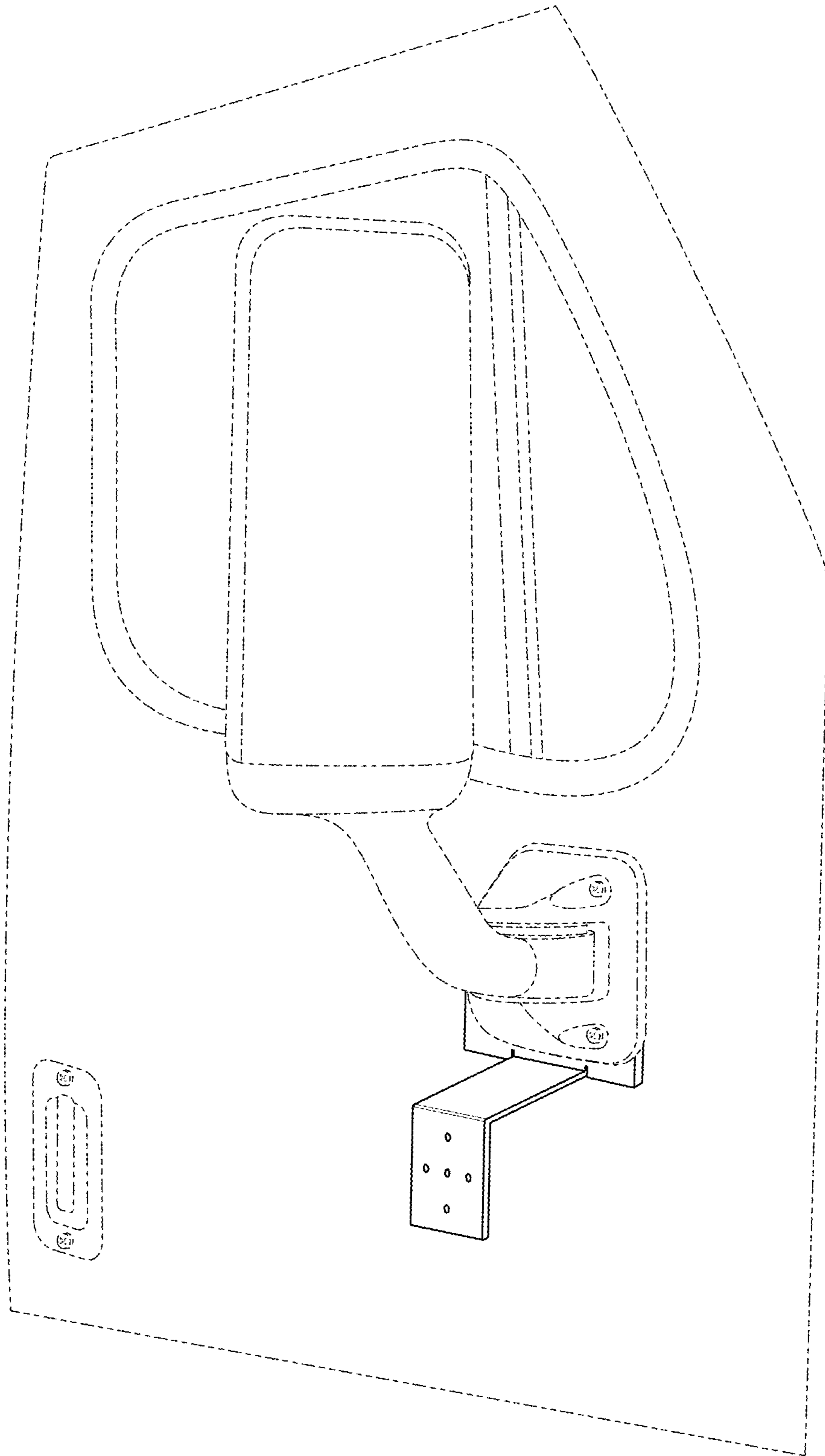


FIG. 2

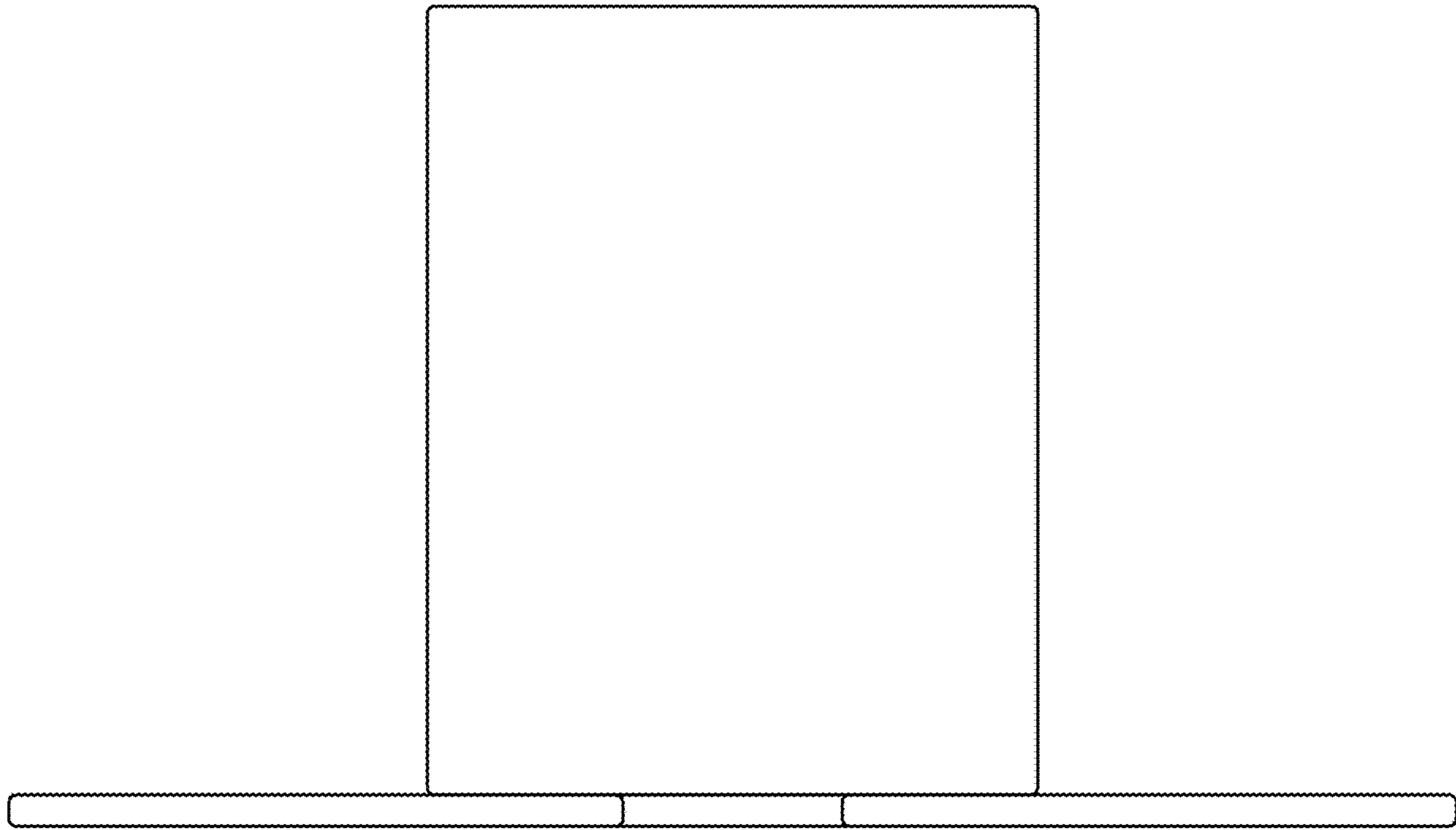


FIG. 3

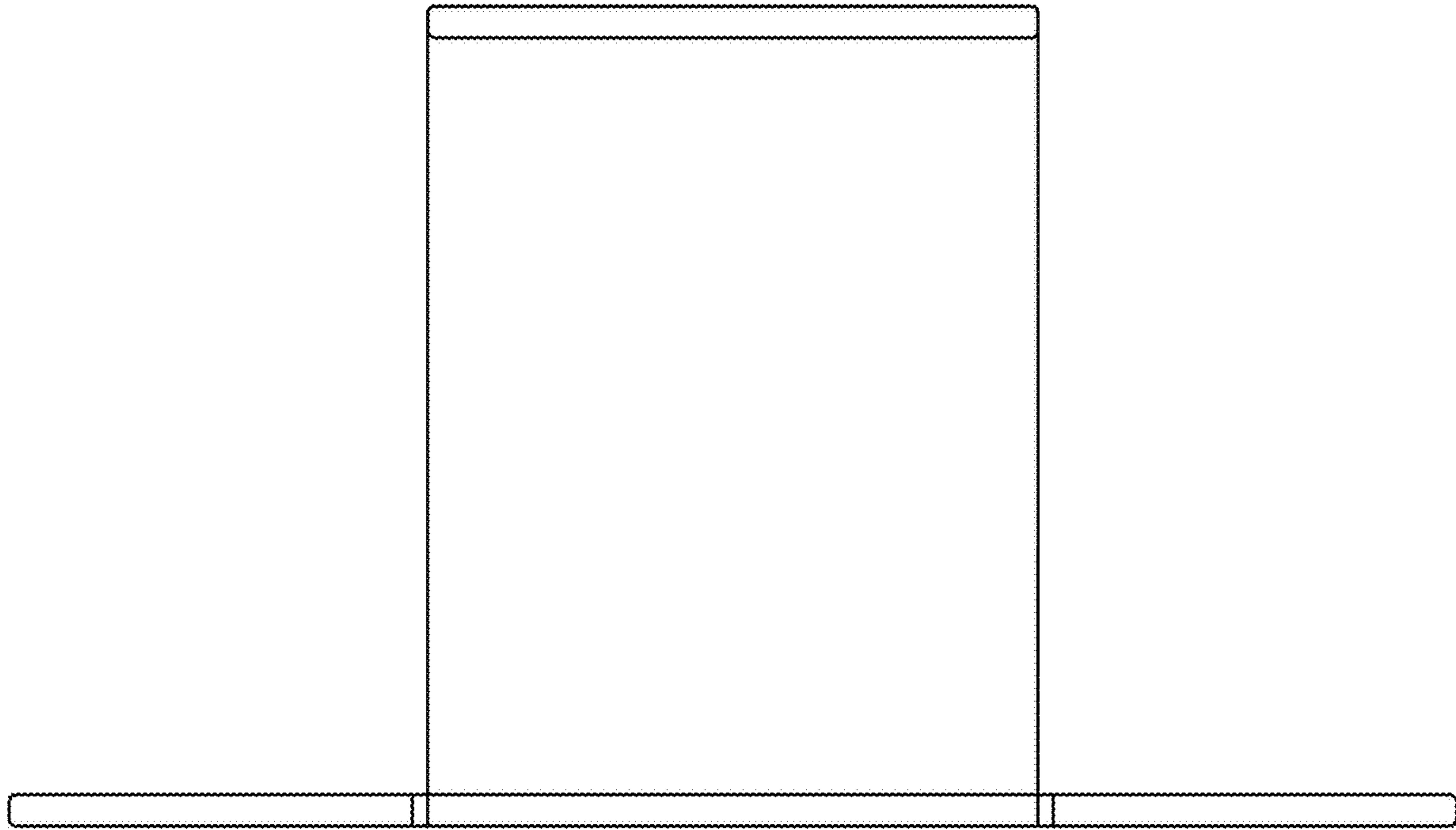


FIG. 4

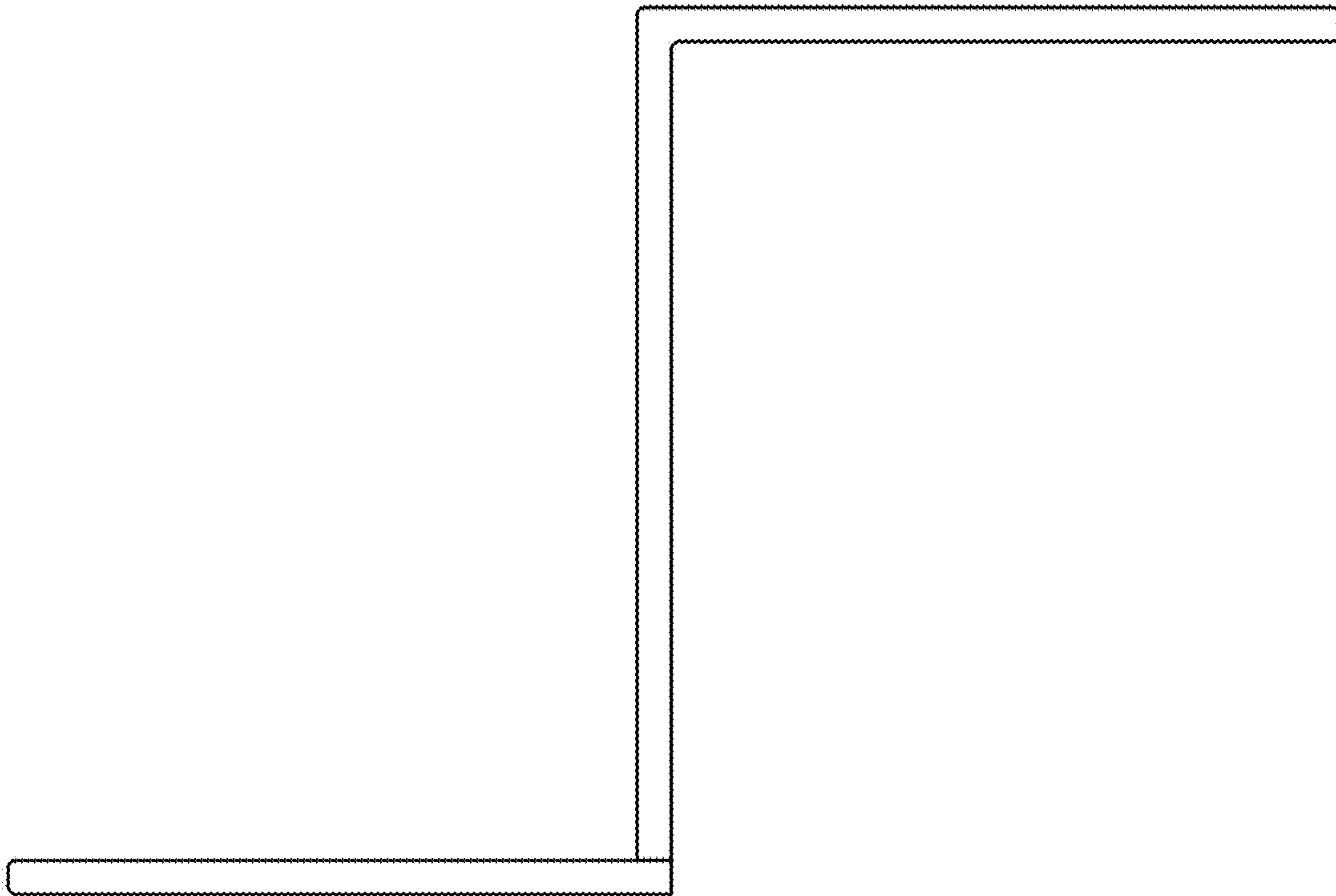


FIG. 5

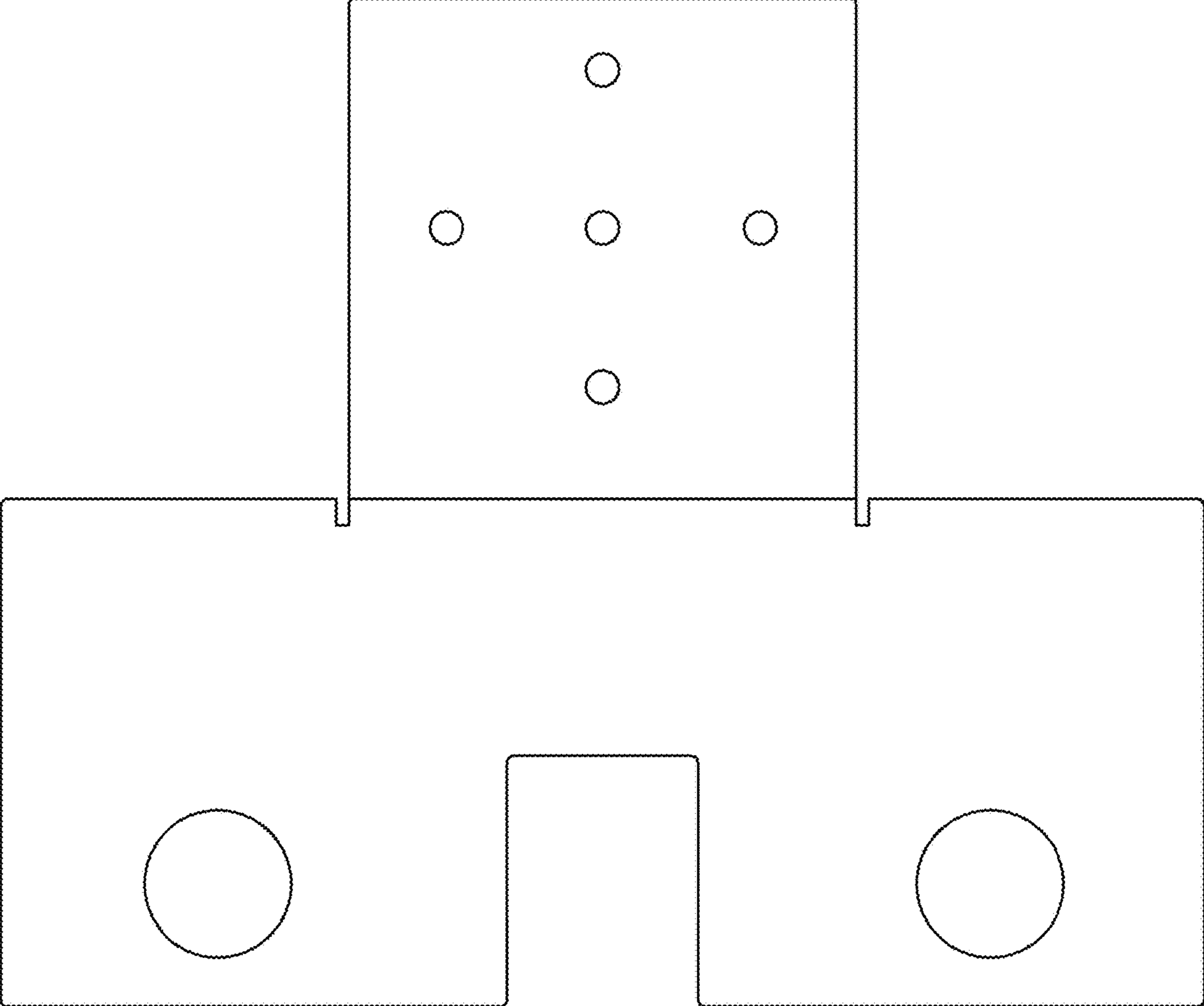


FIG. 6

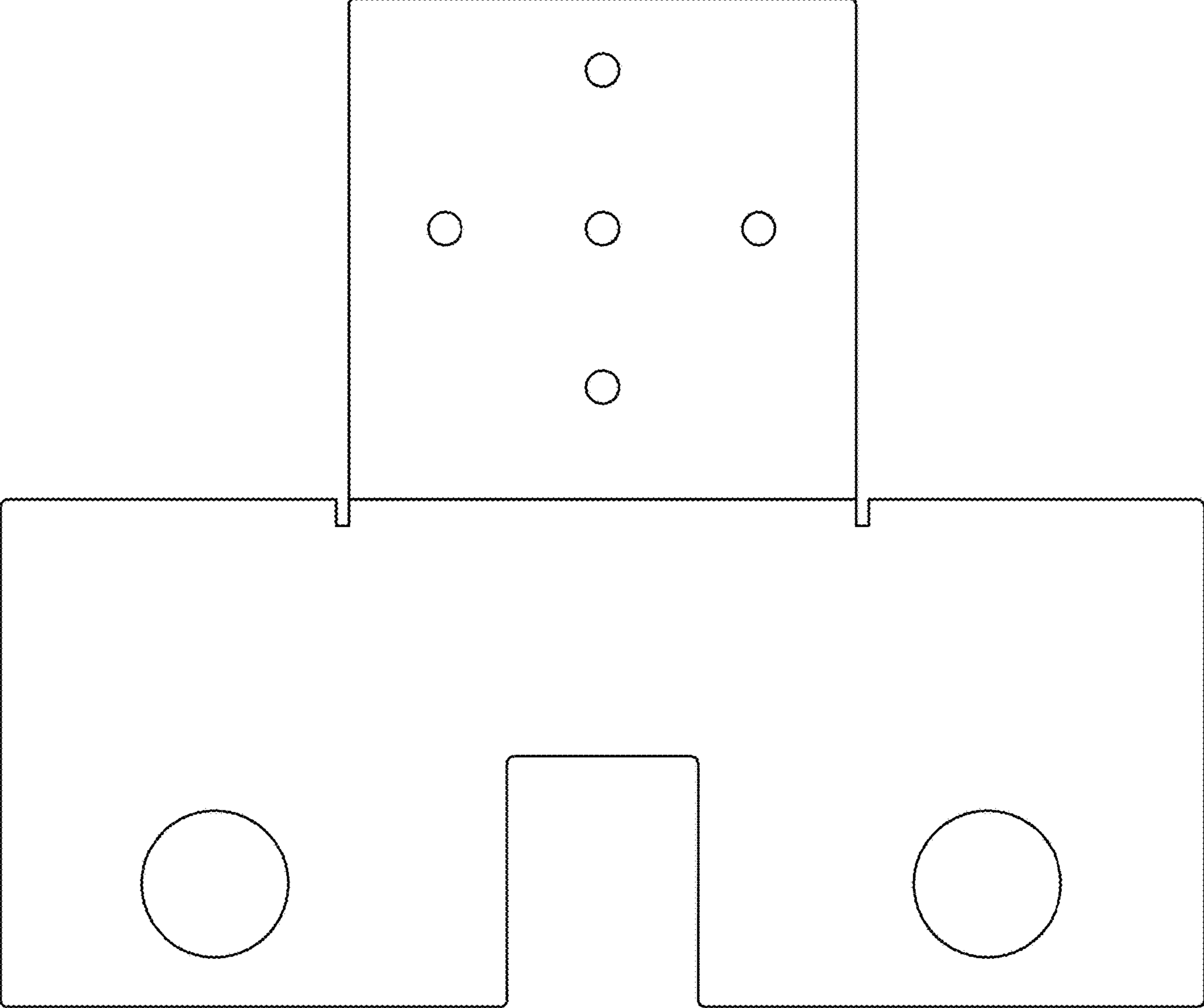


FIG. 7