



US00D960963S

(12) **United States Design Patent** (10) **Patent No.:** **US D960,963 S**
Chen (45) **Date of Patent:** **** Aug. 16, 2022**

(54) **TELEPROMPTER**

FOREIGN PATENT DOCUMENTS

(71) Applicant: **Shenzhen Bestview Electronic co., Ltd**, Shenzhen (CN)

JP D20216511 * 9/2021

(72) Inventor: **Qinyuan Chen**, Shenzhen (CN)

OTHER PUBLICATIONS

(**) Term: **15 Years**

[Official Desview T3 Teleprompter for iPad Tablet Smartphone DSLR Cameras], available in Amazon.com, date first available Jun. 7, 2021 [online], [site visited Nov. 23, 2021], Available from the internet URL: https://www.amazon.com/dp/B09CD31WLN/ref=syn_sd_onsite_desktop_145 (Year: 2021).*

(21) Appl. No.: **29/778,330**

[Desview T3 Teleprompter Review], announced in YouTube on Jun. 14, 2021 [online], [site visited Nov. 29, 2021], Available from the internet URL: <https://www.youtube.com/watch?v=vyxtJYTomml> (Year: 2021).*

(22) Filed: **Apr. 13, 2021**

(51) **LOC (13) Cl.** **16-02**

(52) **U.S. Cl.**

USPC **D16/221**

(58) **Field of Classification Search**

USPC D14/251, 253, 447; D16/232

CPC G03B 21/28; G02B 7/182; H04M 1/0272;

H04M 2250/54

See application file for complete search history.

* cited by examiner

Primary Examiner — Khawaja Anwar

Assistant Examiner — Megan Tiana Rakos

(56) **References Cited**

(57) **CLAIM**

The ornamental design for a teleprompter, as shown and described.

U.S. PATENT DOCUMENTS

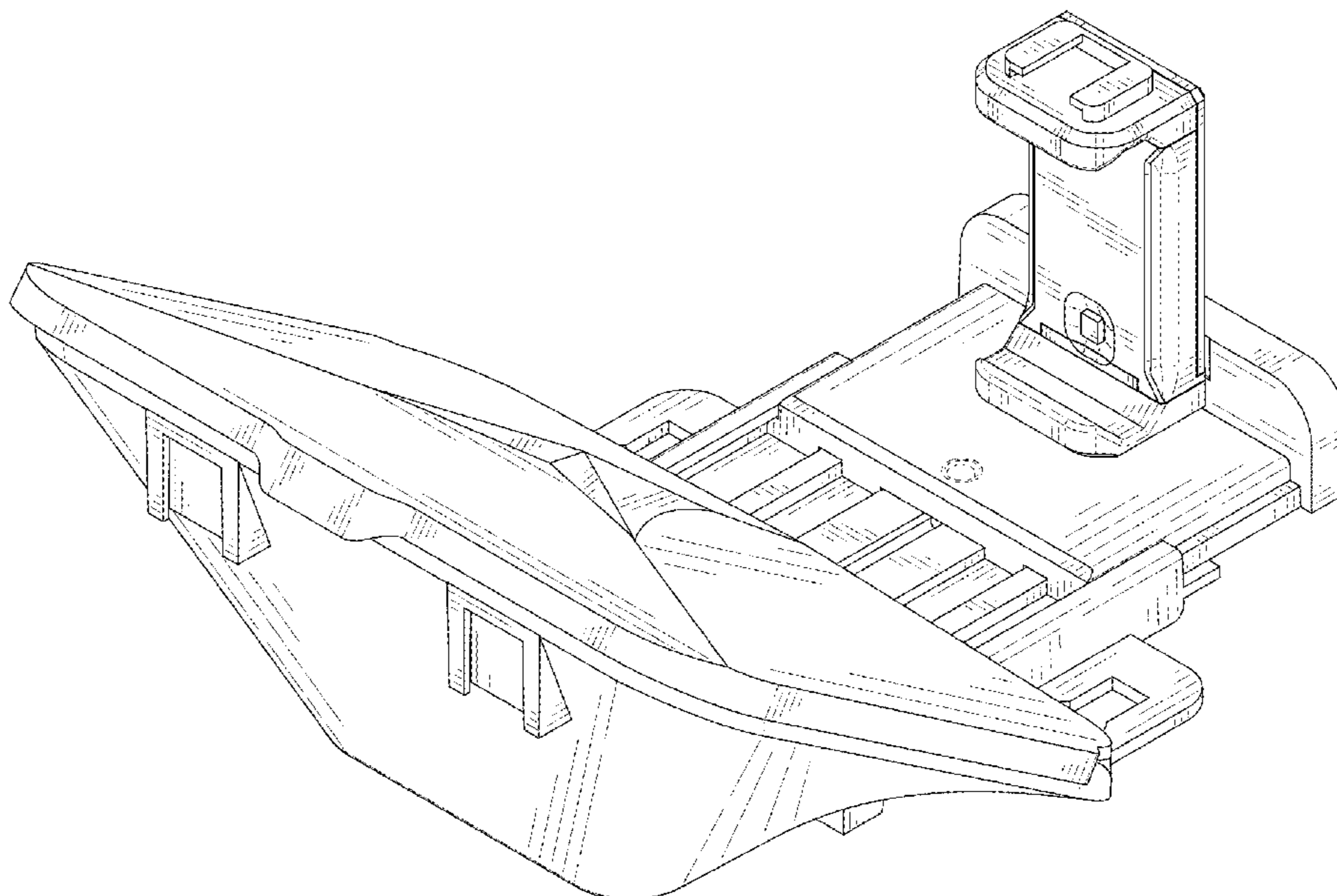
DESCRIPTION

D614,613 S *	4/2010	Kim	D14/253
9,030,603 B1 *	5/2015	Vito	H04N 5/2252
				348/373
10,491,785 B1 *	11/2019	Arnot	H04N 5/2222
2002/0008774 A1 *	1/2002	Yata	H04N 5/2222
				348/375
2009/0256970 A1 *	10/2009	Bilbrey	H04N 5/2222
				348/722
2013/0329112 A1 *	12/2013	Dudkowski	H04N 5/2222
				348/333.08
2014/0016030 A1 *	1/2014	Vito	H04N 5/2252
				348/375
2014/0063469 A1 *	3/2014	Folcik	G03B 21/10
				353/79
2017/0064158 A1 *	3/2017	Arce	H04N 5/2254
2020/0014823 A1 *	1/2020	Chen	H04N 5/2222
2021/0278625 A1 *	9/2021	Chen	G02B 7/182

FIG. 1 is a first perspective view of a teleprompter showing my new design;
FIG. 2 is a second perspective view thereof;
FIG. 3 is a front view thereof;
FIG. 4 is a back view thereof;
FIG. 5 is a left side view thereof;
FIG. 6 is a right side view thereof;
FIG. 7 is a top view thereof; and,
FIG. 8 is a bottom view thereof.

The broken lines shown in the drawings depict portions of the teleprompter in which the design is embodied that form no part of the claimed design.

1 Claim, 8 Drawing Sheets



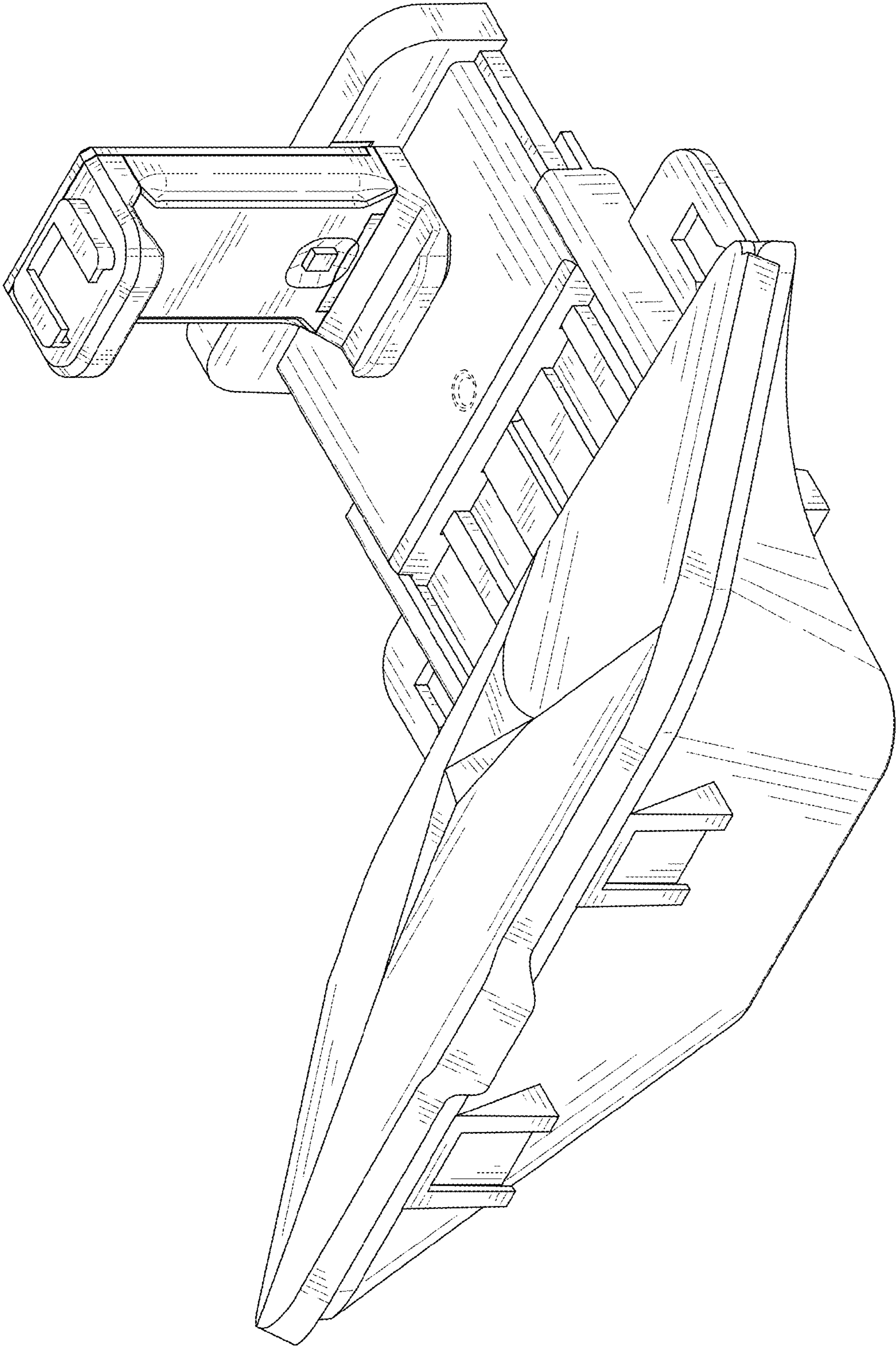


FIG. 1

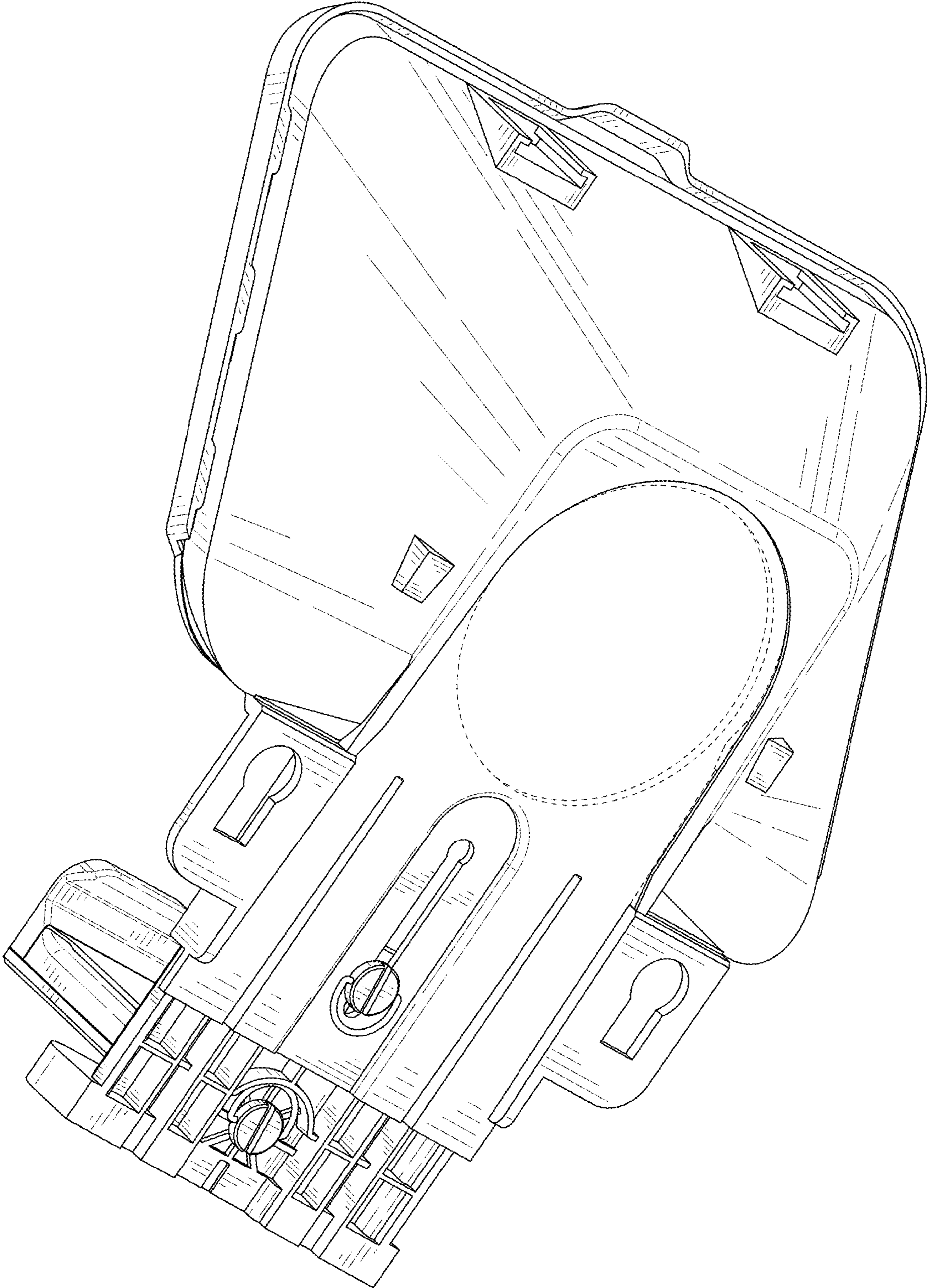


FIG. 2

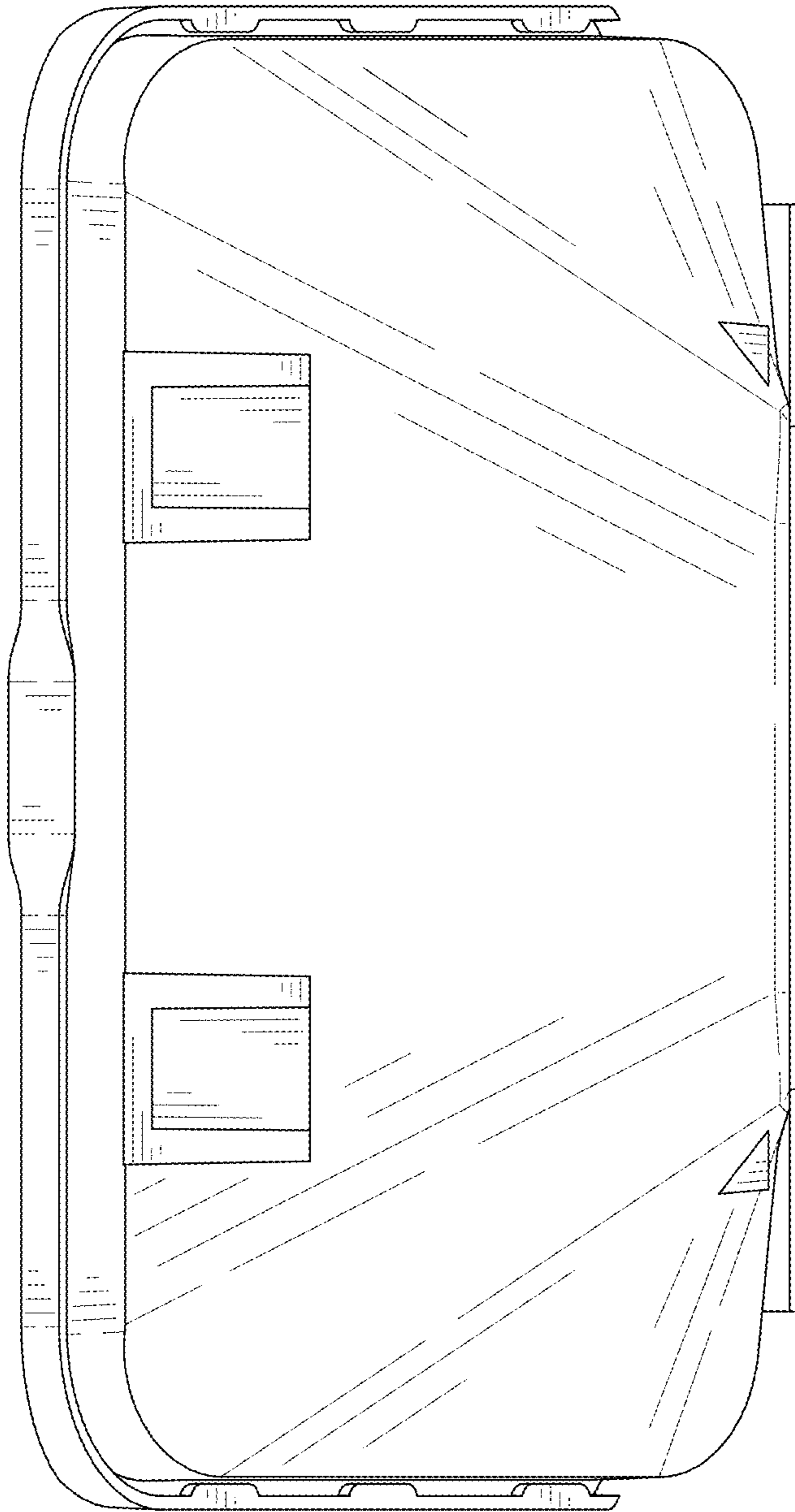


FIG. 3

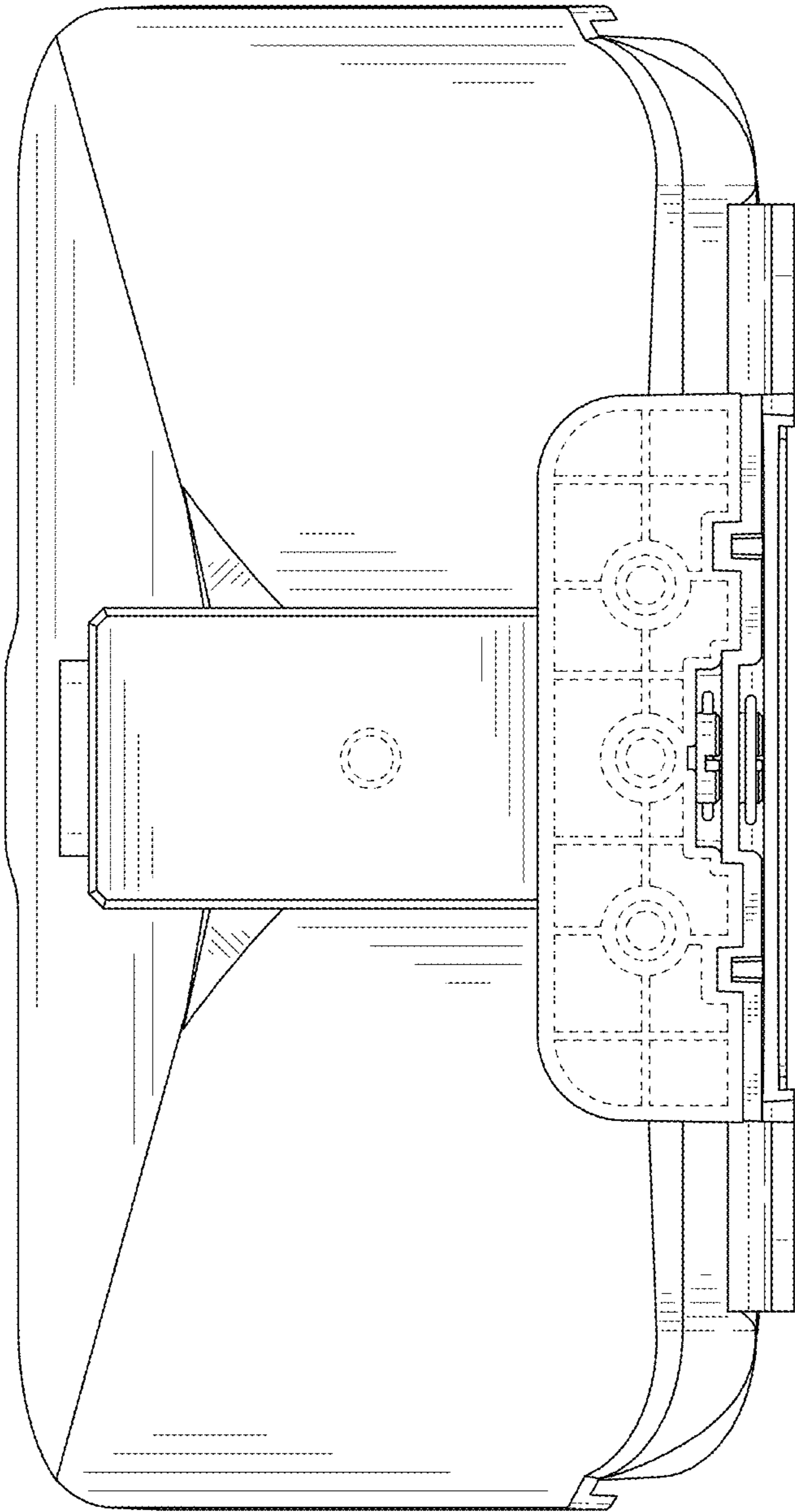


FIG. 4

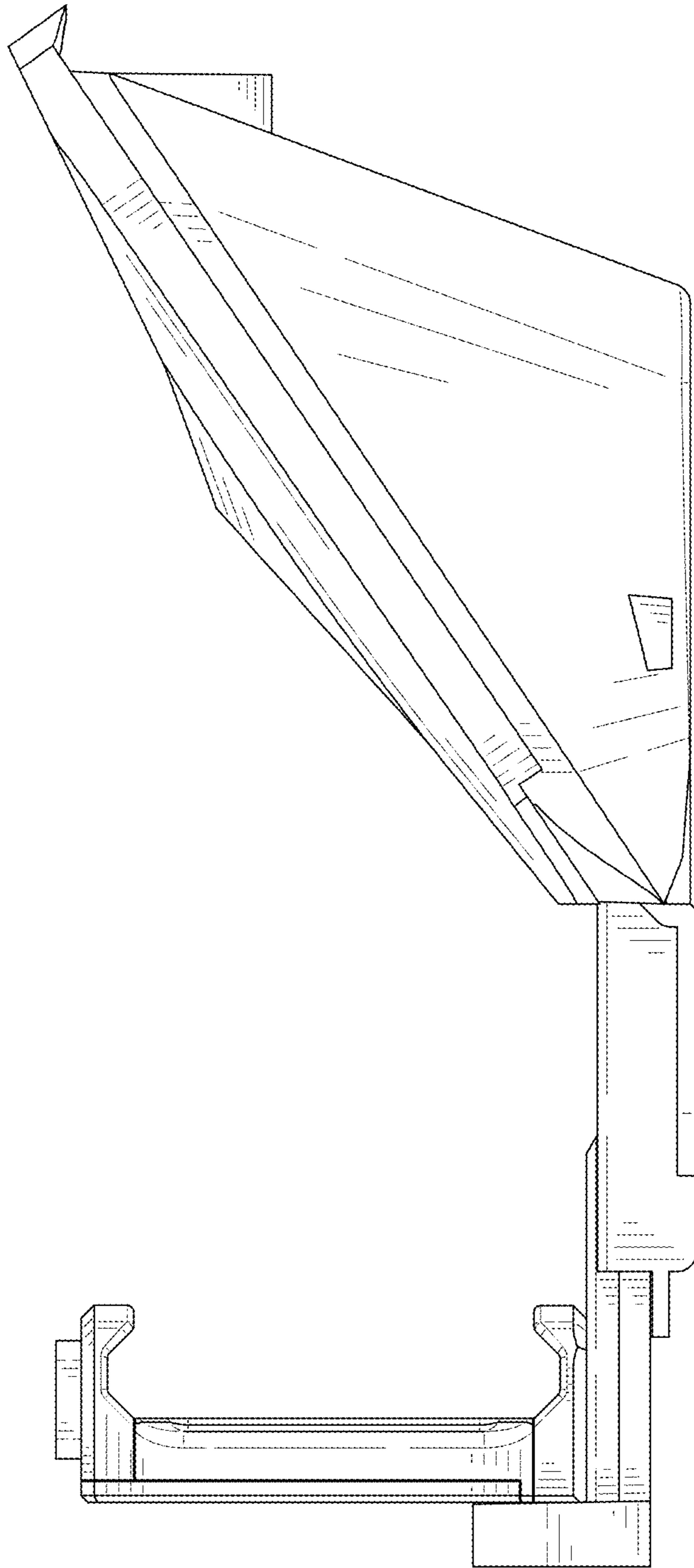


FIG. 5

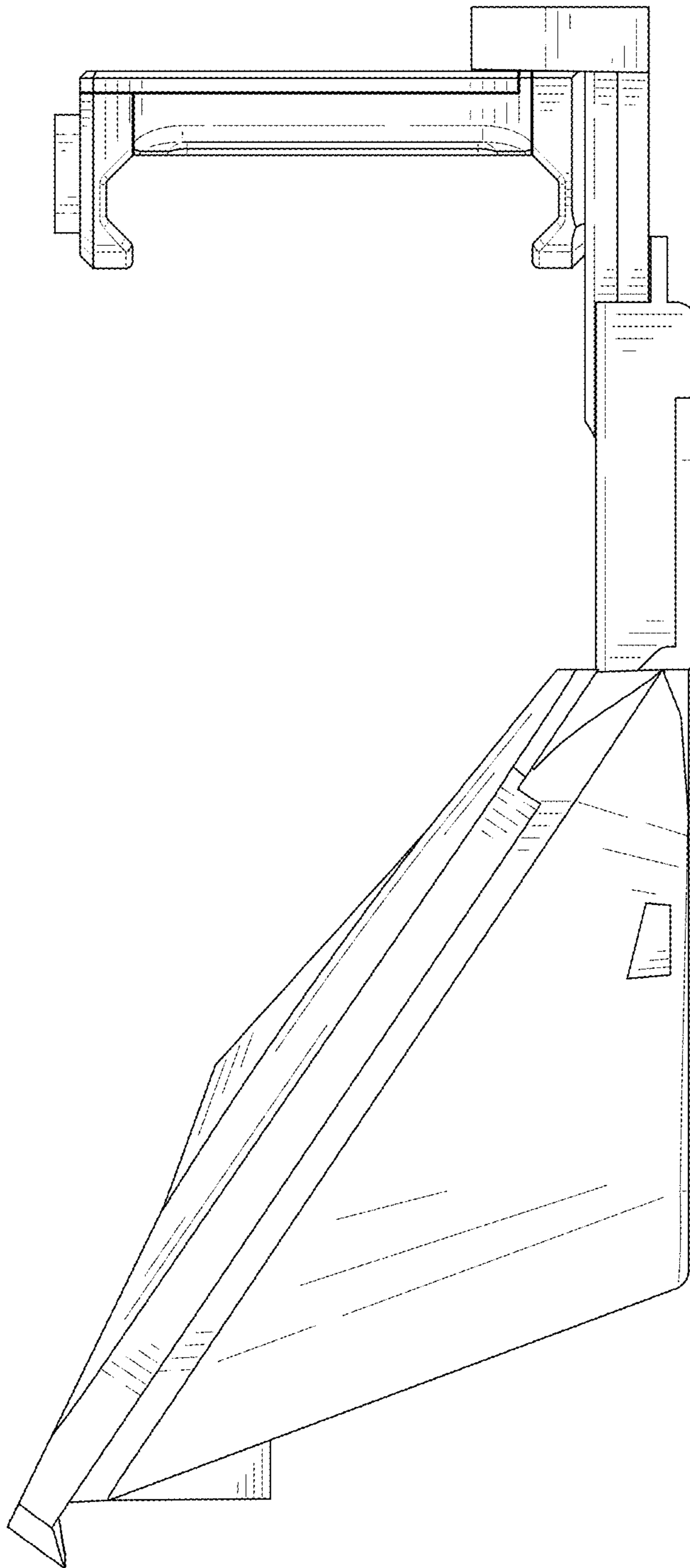


FIG. 6

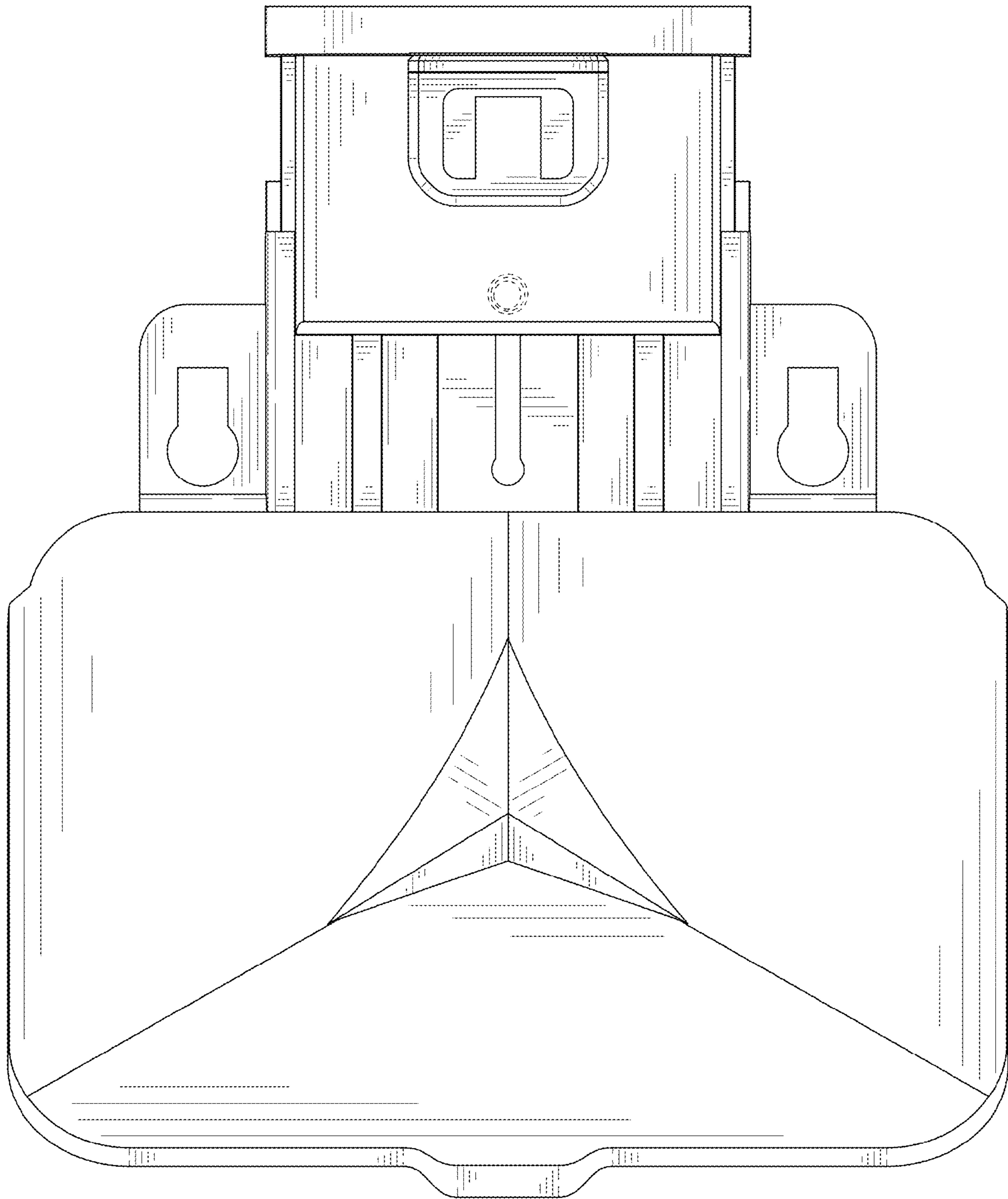


FIG. 7

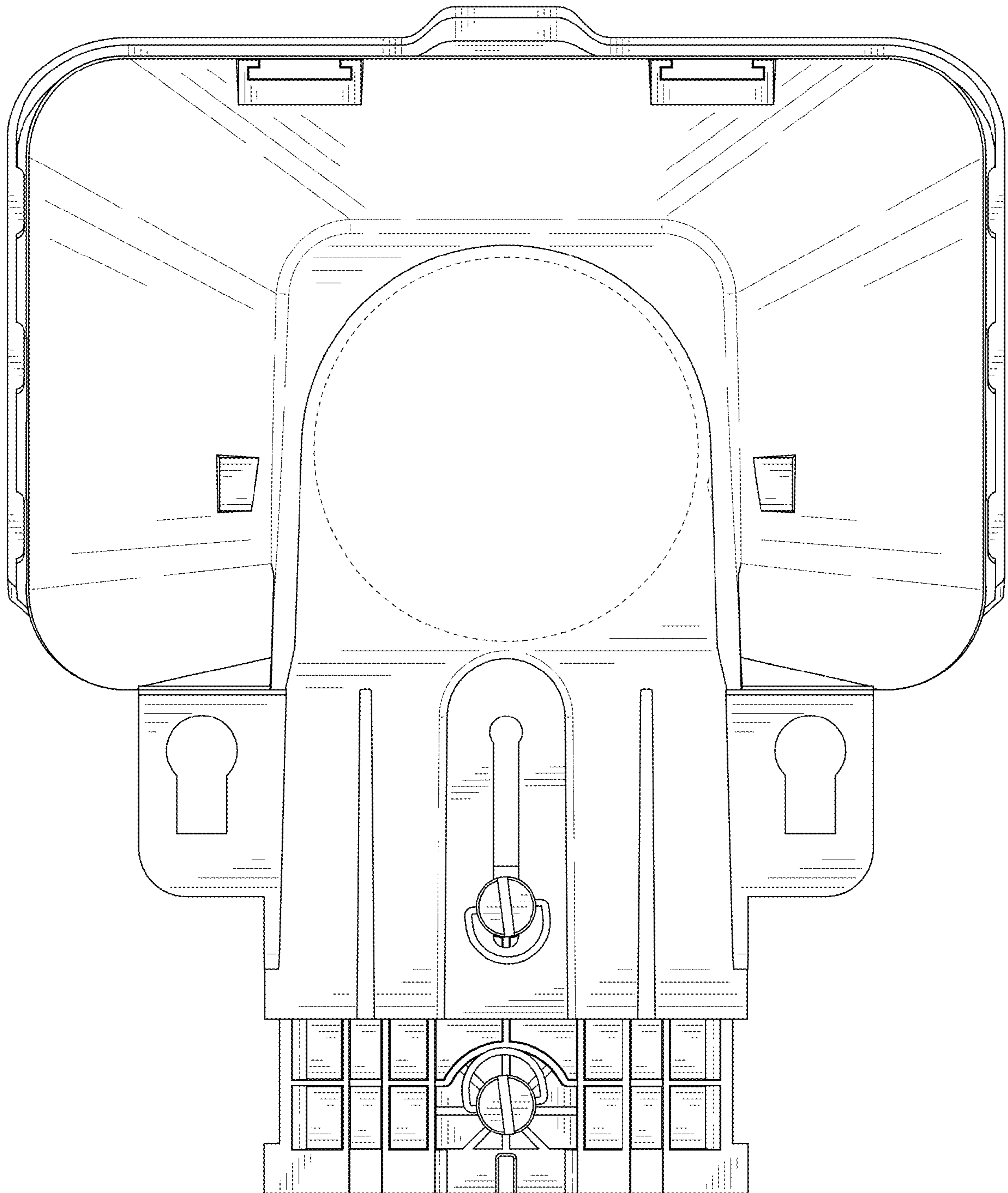


FIG. 8