

US00D960955S

(12) **United States Design Patent**
Liu

(10) **Patent No.:** **US D960,955 S**

(45) **Date of Patent:** **** Aug. 16, 2022**

(54) **MONITOR**

(71) Applicant: **Shenzhen CTV Int Cloud Technology Co., Ltd., Shenzhen (CN)**

(72) Inventor: **Guangqing Liu, Yueyang (CN)**

(73) Assignee: **Shenzhen CTV INT Cloud Technology Co., Ltd., Shenzhen (CN)**

(**) Term: **15 Years**

(21) Appl. No.: **29/762,120**

(22) Filed: **Dec. 15, 2020**

(30) **Foreign Application Priority Data**

Nov. 16, 2020 (CN) 202030693532.4

(51) **LOC (13) Cl.** **16-01**

(52) **U.S. Cl.**

USPC **D16/203; D16/200**

(58) **Field of Classification Search**

USPC D16/200–204, 207–208, 218–219;

D10/46, 61, 62, 65, 70, 71, 104.1, 106.6,

D10/106.7; D14/203.1, 204, 209.1, 496

CPC G03B 15/03; G03B 17/02; G03B 17/04;

G03B 17/56; G03B 19/04; H04N 7/141;

H04N 7/142; H04N 7/147; H04N 7/148;

H04N 7/15; H04N 7/152; H04N 5/2251;

H04N 5/2252; H04N 5/2253; H04N

5/2254; H04N 5/23216; H04N 5/232939;

H04N 2101/00; H04N 2007/145

See application file for complete search history.

(56) **References Cited**

U.S. PATENT DOCUMENTS

D520,548 S * 5/2006 Tsai D16/203

D542,319 S * 5/2007 Ishida D16/202

D626,984 S * 11/2010 Miyaji D16/202

D673,989 S * 1/2013 Ying D16/203

D753,206 S * 4/2016 Ravat D16/203

D818,026 S * 5/2018 Ravat D16/203

D836,148 S * 12/2018 Jeong D16/203

(Continued)

FOREIGN PATENT DOCUMENTS

CN 304031393 * 2/2017

CN 307019772 * 12/2021

KR 301148994.0000 * 2/2022

OTHER PUBLICATIONS

“Solar Security Camera Outdoor, Wireless WiFi 360° PTZ Camera outdoor, 15000mAh Battery Solar Powered Security Cameras with 1080P Night Vision, PIR Motion Detection, 2 Way Audio, IP65, SD/Cloud Storage” from Amazon.com, first available Jun. 11, 2021 from the internet <<https://www.amazon.com/Security-Outdoor-Wireless-15000mAh-Detection/dp/B0972KHGVB/>>.*

(Continued)

Primary Examiner — Rosemary K Tarcza

Assistant Examiner — Lacey Chey Bowman

(74) *Attorney, Agent, or Firm* — Bay State IP, LLC

(57) **CLAIM**

The ornamental design for a monitor, as shown and described.

DESCRIPTION

FIG. 1 is a front perspective view of a monitor, showing my new design;

FIG. 2 is a front view thereof;

FIG. 3 is a back view thereof;

FIG. 4 is a left side view thereof;

FIG. 5 is a right side view thereof;

FIG. 6 is a top view thereof;

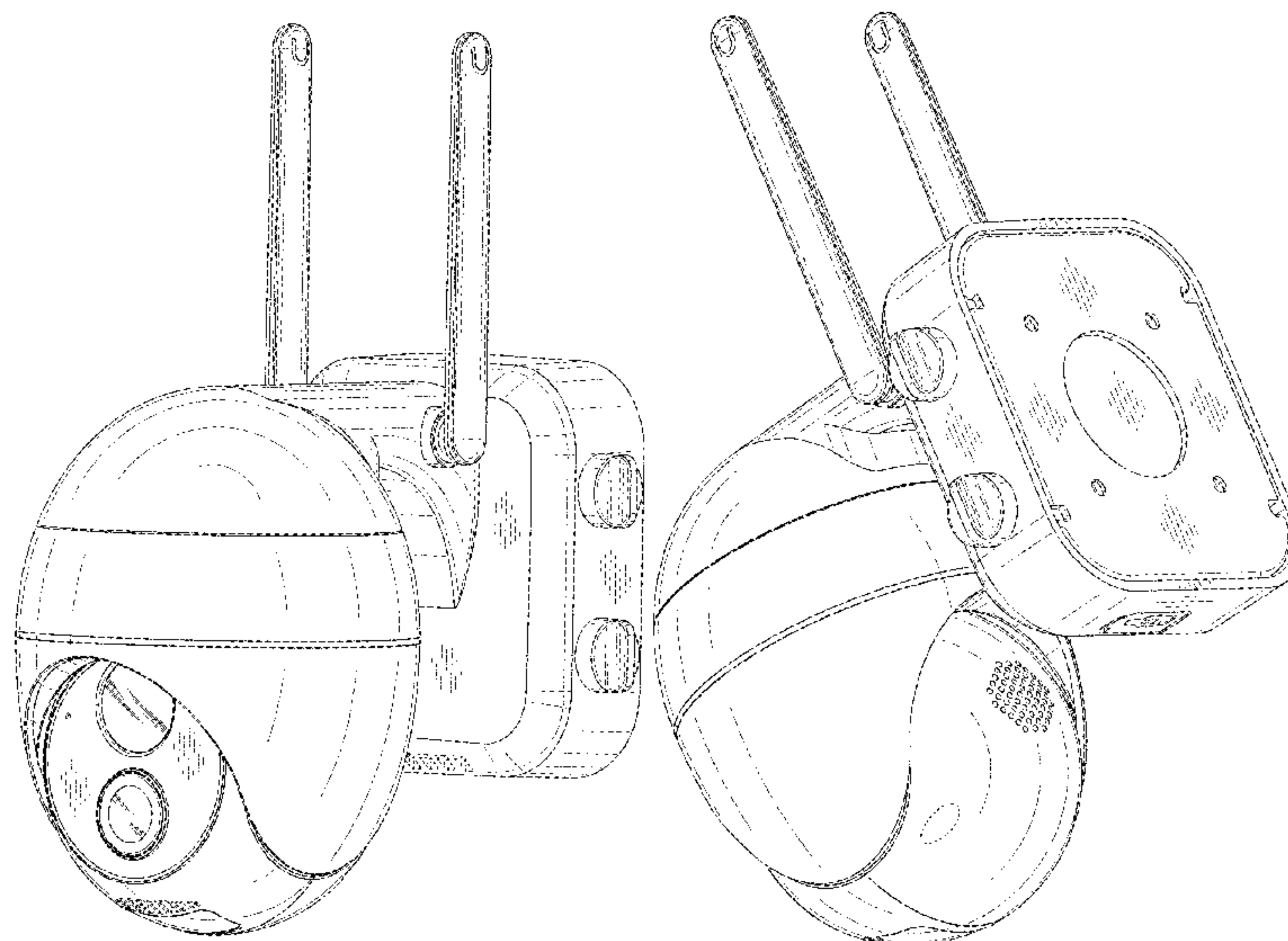
FIG. 7 is a bottom view thereof;

FIG. 8 is a back perspective view thereof; and,

FIG. 9 is a bottom perspective view thereof.

The broken lines shown in the figures depict portions of the monitor and forms no part of the claimed design.

1 Claim, 9 Drawing Sheets



(56)

References Cited

U.S. PATENT DOCUMENTS

D866,638 S * 11/2019 Wang D16/203
D884,769 S * 5/2020 Katori D16/203
D898,801 S * 10/2020 Wu D16/203
D901,571 S * 11/2020 Liu D16/203
D924,961 S * 7/2021 Xu D16/203
D940,226 S * 1/2022 Wang D16/203
D942,524 S * 2/2022 Xu D16/203
2017/0363932 A1 * 12/2017 Lim G03B 17/561

OTHER PUBLICATIONS

“Security Camera Wireless Outdoor with 360° PTZ, ZUMIMALL Battery Powered WiFi Camera for Home Security & Surveillance, PIR Motion Alert, 1080P Night Vision, 2-Way Audio, IP66 Waterproof, Cloud/SD Slot” from Amazon.com, first available Jan. 21, 2021 from the internet <<https://www.amazon.com/dp/B08TM9TBTW/>> (Year: 2021).*

“Security Camera Wireless Outdoor, Pan-Tilt 2.4G WiFi Solar Security Camera, Battery Powered Surveillance Cameras for Home with Night Vision, 2-Way Audio, Motion Detection, SD Card & Cloud Storage, Codnida” from Amazon.com, first available Dec. 30, 2021 from the internet <<https://www.amazon.com/dp/B09HQC39J8/>> (Year: 2021).*

* cited by examiner

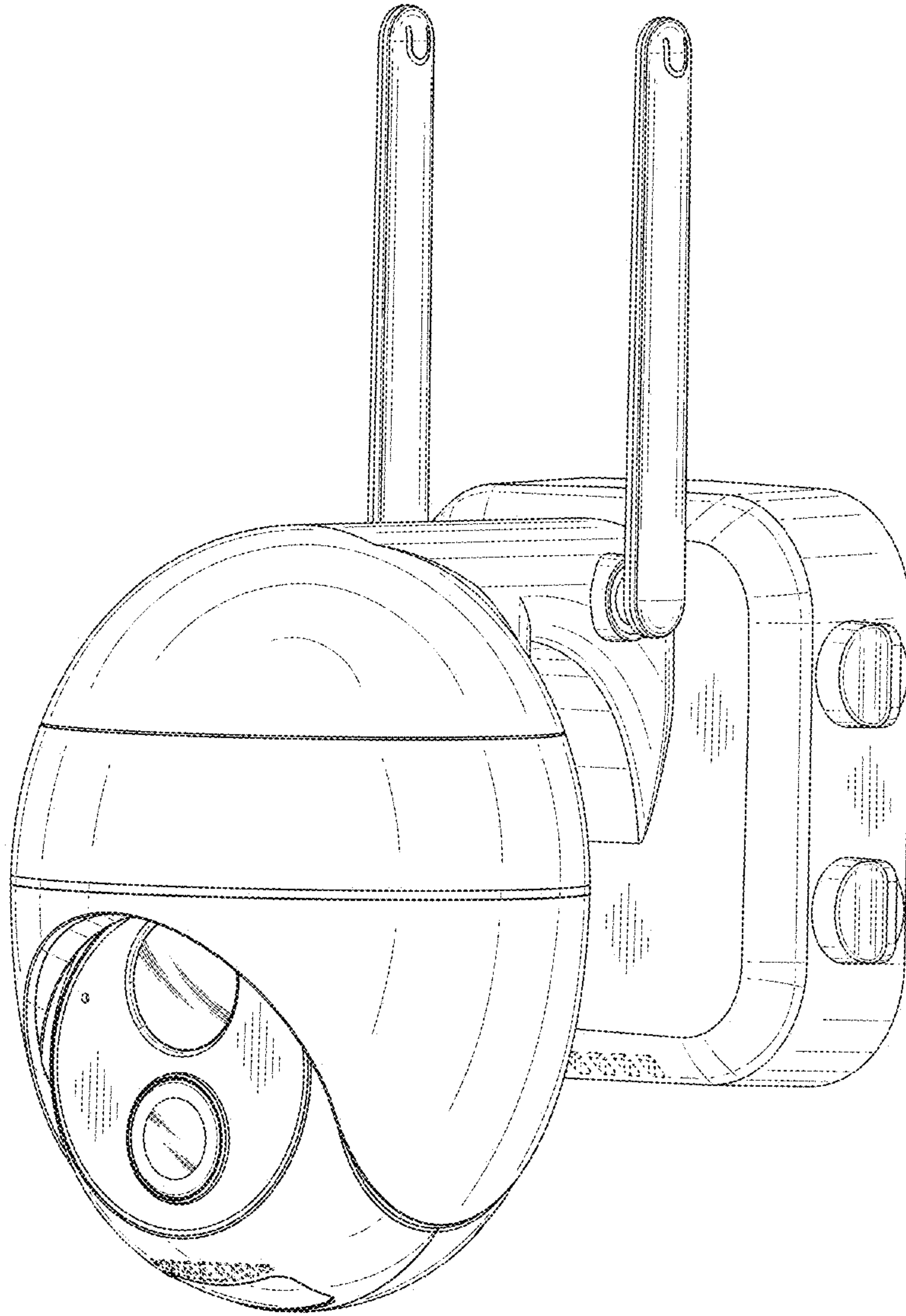


FIG.1

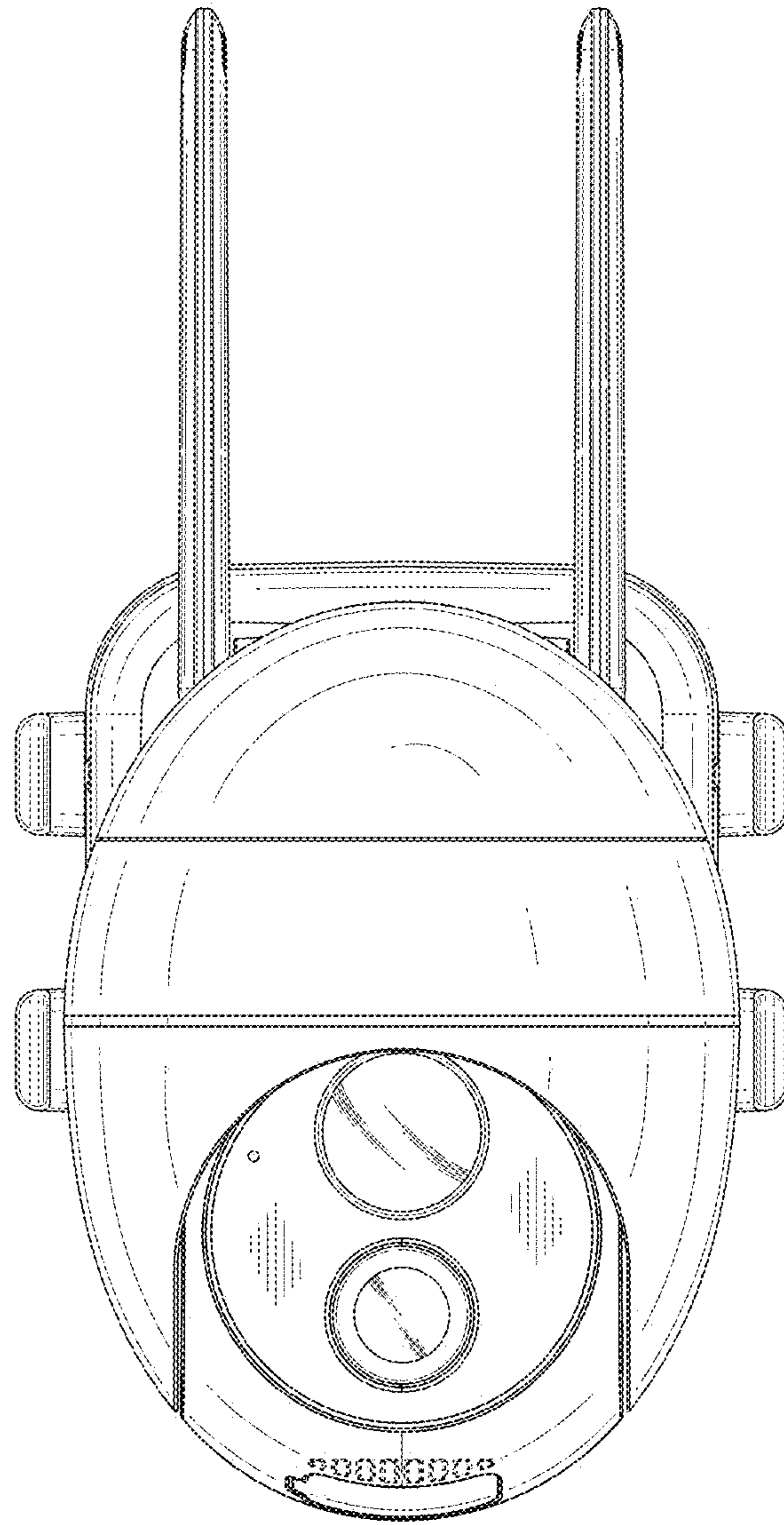


FIG.2

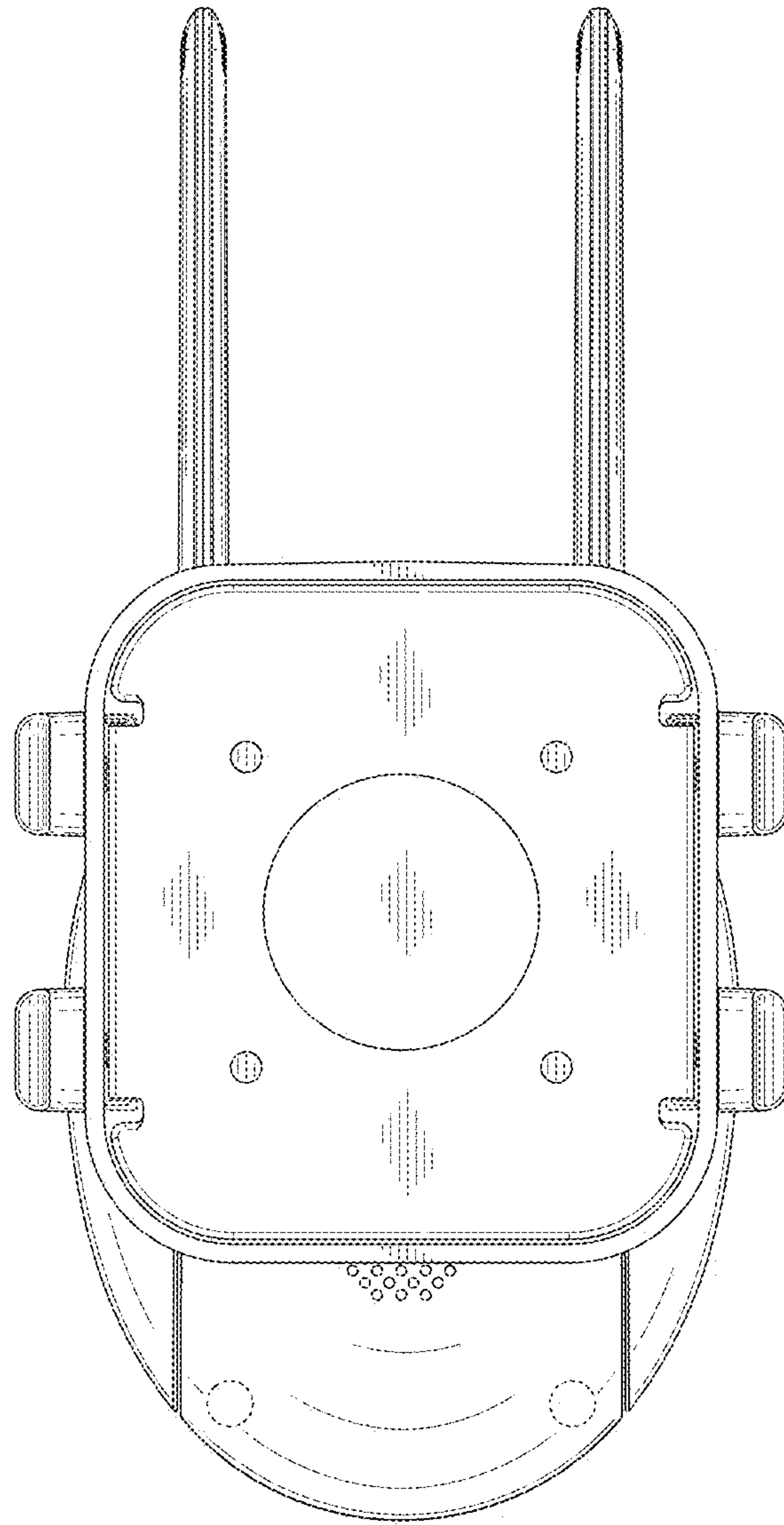


FIG.3

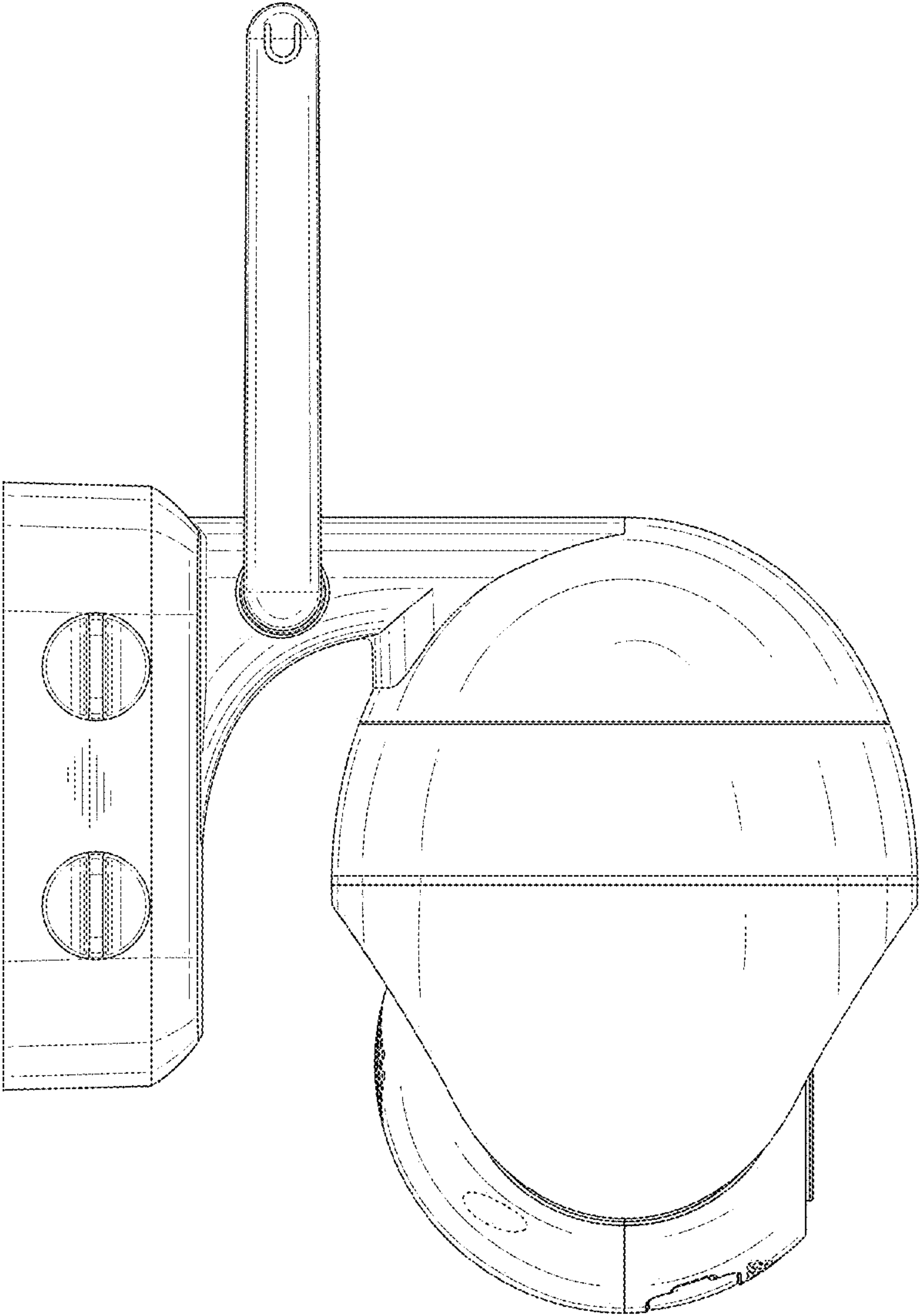


FIG.4

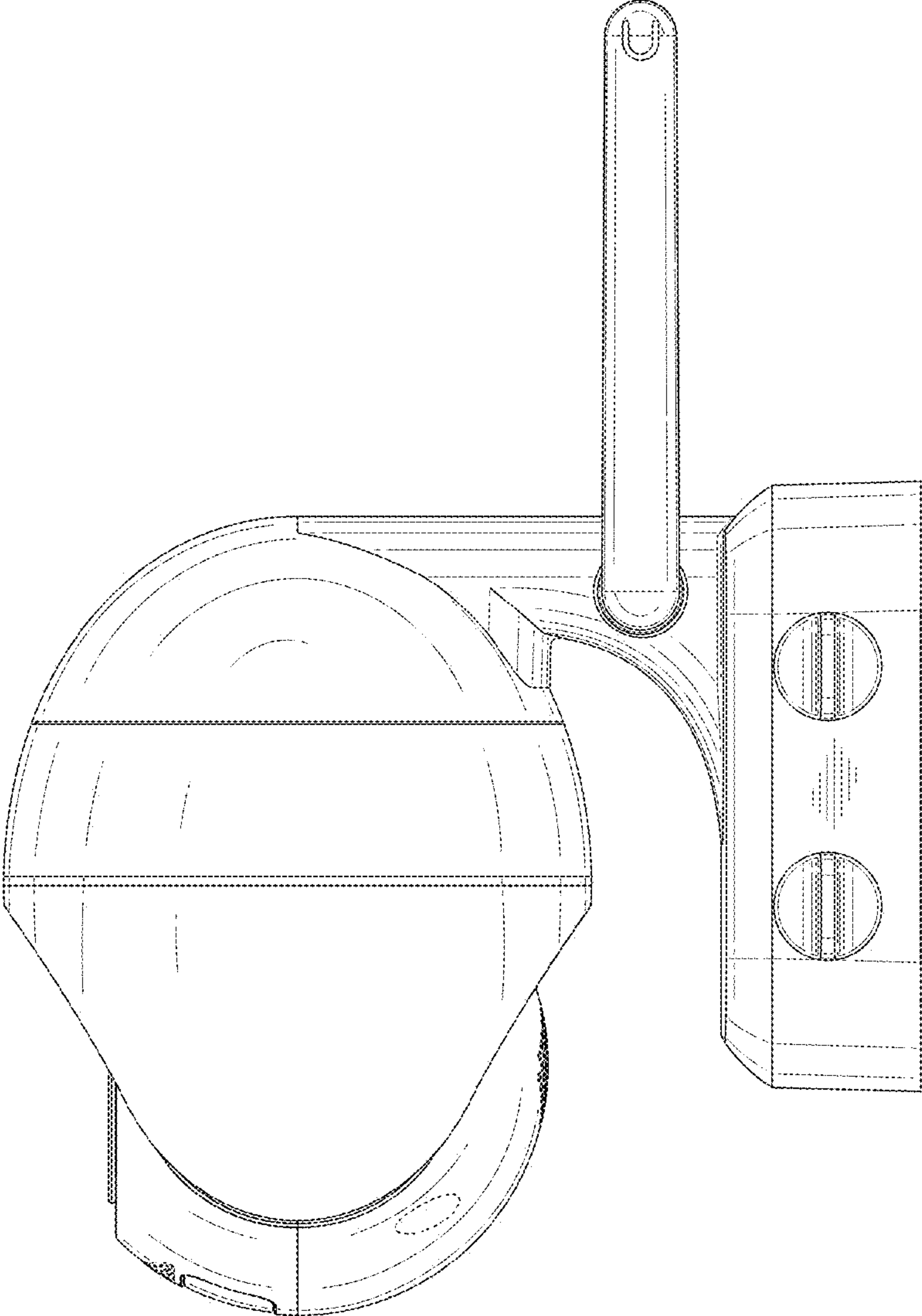


FIG.5

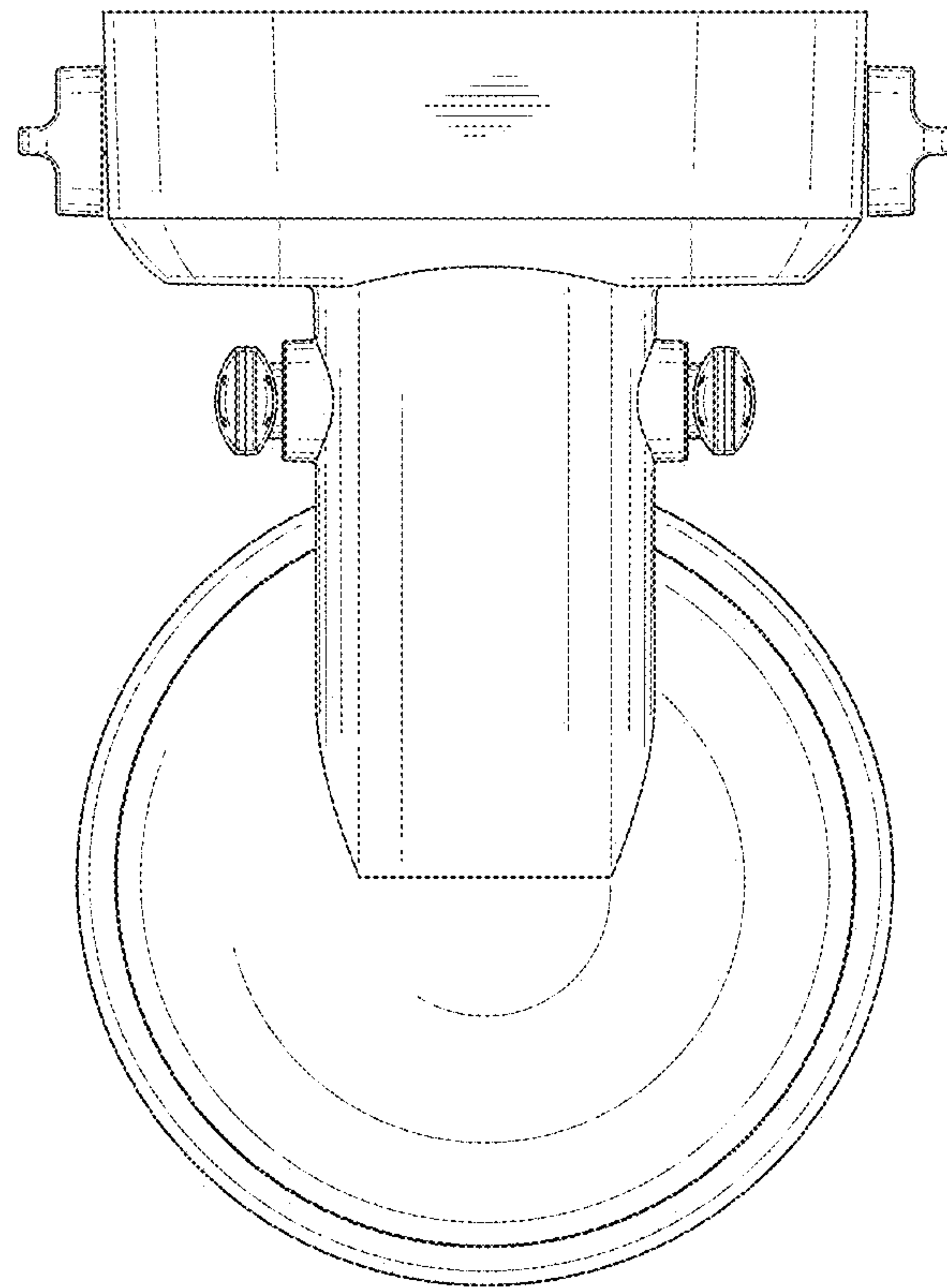


FIG.6

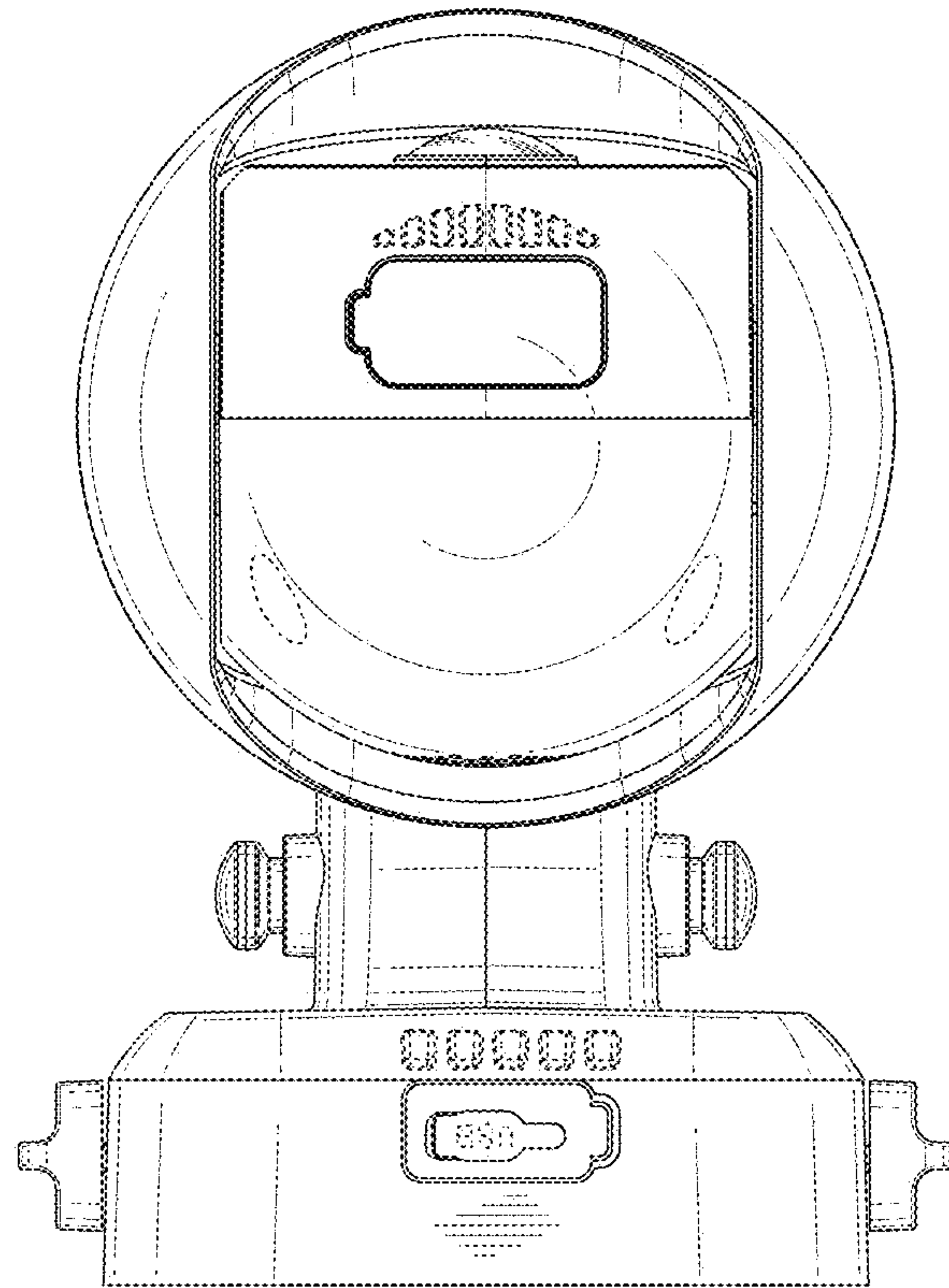


FIG.7

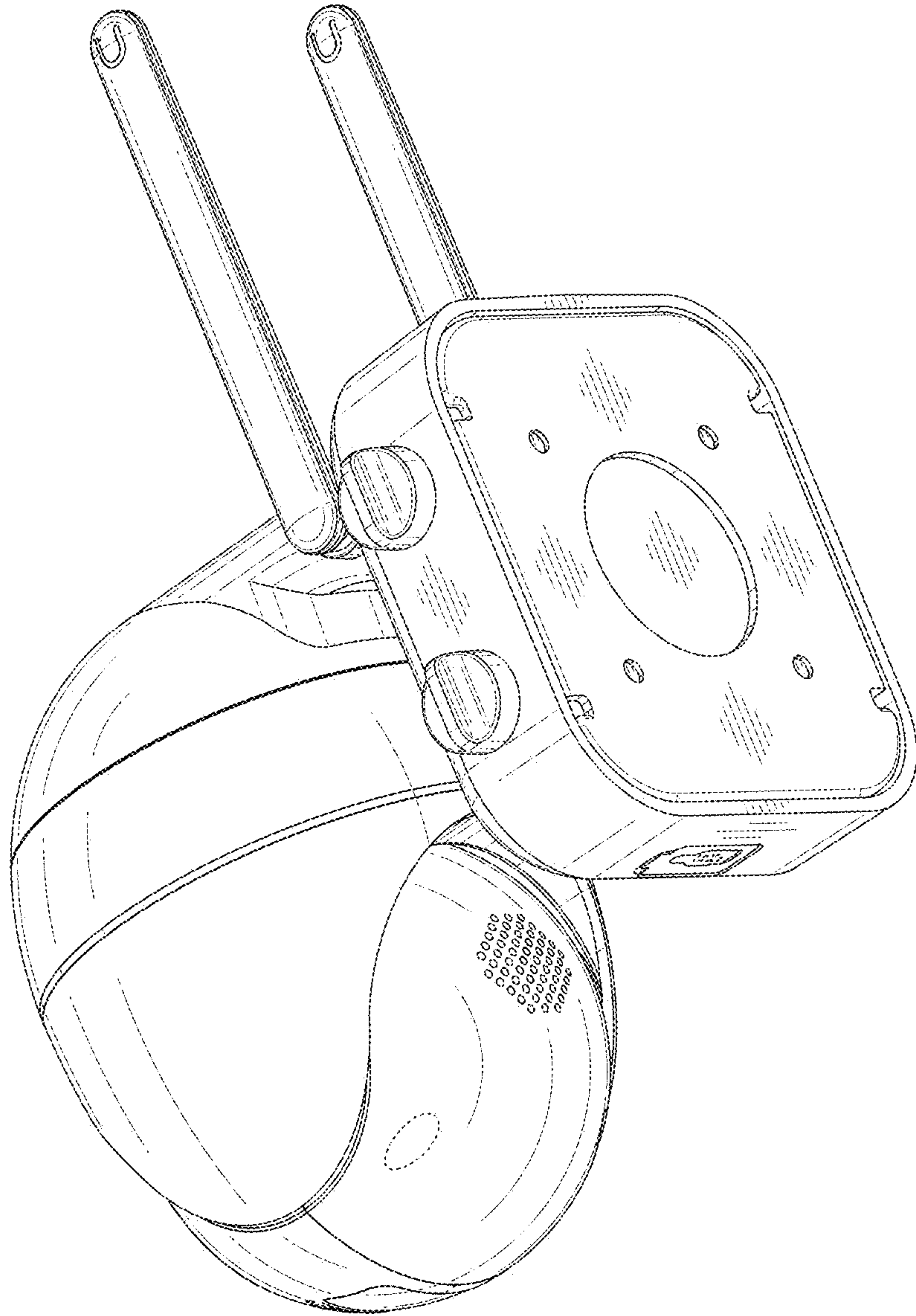


FIG.8

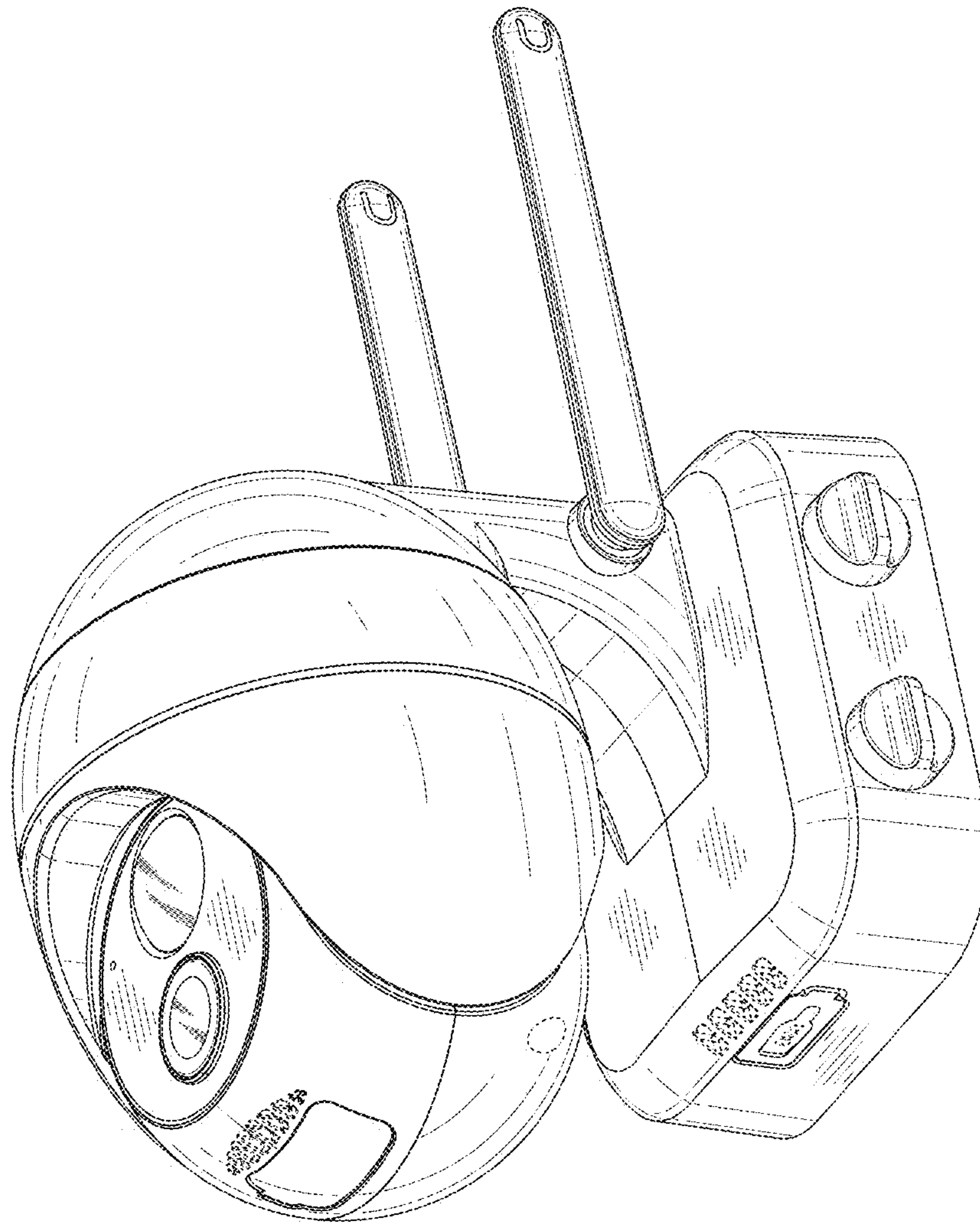


FIG.9