



US00D960954S

(12) **United States Design Patent**
Liu

(10) **Patent No.:** **US D960,954 S**

(45) **Date of Patent:** **** Aug. 16, 2022**

(54) **MONITOR**

(71) Applicant: **Guangqing Liu**, Yueyang (CN)

(72) Inventor: **Guangqing Liu**, Yueyang (CN)

(**) Term: **15 Years**

(21) Appl. No.: **29/731,561**

(22) Filed: **Apr. 16, 2020**

(30) **Foreign Application Priority Data**

Apr. 10, 2020 (EM) 007804133

(51) **LOC (13) Cl.** **16-01**

(52) **U.S. Cl.**

USPC **D16/203**

(58) **Field of Classification Search**

USPC D16/200–203, 207–208, 214, 218–219;
D10/46, 61, 62, 65, 70, 71, 104.1, 106.6,
D10/106.7, 109.1, 109.2, 114.8, 121

CPC G03B 17/00; G03B 17/02; G03B 17/56;
G03B 2217/00; H04N 5/2251; H04N
5/2252; H04N 5/2254

See application file for complete search history.

(56) **References Cited**

U.S. PATENT DOCUMENTS

D633,121 S *	2/2011	Renkis	D16/203
D875,157 S *	2/2020	Laurino	D16/203
D896,869 S *	9/2020	Laurino	D16/203
D908,116 S *	1/2021	Ye	D14/125
D940,226 S *	1/2022	Wang	D16/203

FOREIGN PATENT DOCUMENTS

CN	305611642	*	2/2020
CN	307019790	*	12/2021

OTHER PUBLICATIONS

“Outdoor Security Camera Wireless WiFi, Zumimall Rechargeable Battery Powered Home Security Camera with Mobile App, Night Vision/Waterproof, Human Motion Detection, 2-Way Audio, 4DBi Antenna, Cloud/SD” from Amazon.com, first available Nov. 8, 2019 from the internet <<https://www.amazon.com/Rechargeable-Battery-Powered-Waterproof-Detection-Compatible/dp/B0816RV4BF/>> (Year: 2019).*

“Wireless Outdoor Security Camera, WiFi Rechargeable Battery Power Wireless Cameras for Home Security, 1080P, PIR Motion Detection, Night Vision, 2-Way Talk, 4dbi Antenna, IP65, Cloud/SD” from Amazon.com, first available Sep. 25, 2020 from the internet <<https://www.amazon.com/Wireless-Security-Rechargeable-Surveillance-Detection/dp/B08HQPPXNK/>> (Year: 2020)*

* cited by examiner

Primary Examiner — Rosemary K Tarcza

Assistant Examiner — Lacey Chey Bowman

(74) *Attorney, Agent, or Firm* — Bay State IP, LLC

(57)

CLAIM

The ornamental design for a monitor, as shown and described.

DESCRIPTION

FIG. 1 is a perspective view showing my new design;

FIG. 2 is a front view thereof;

FIG. 3 is a back view thereof;

FIG. 4 is a left side view thereof;

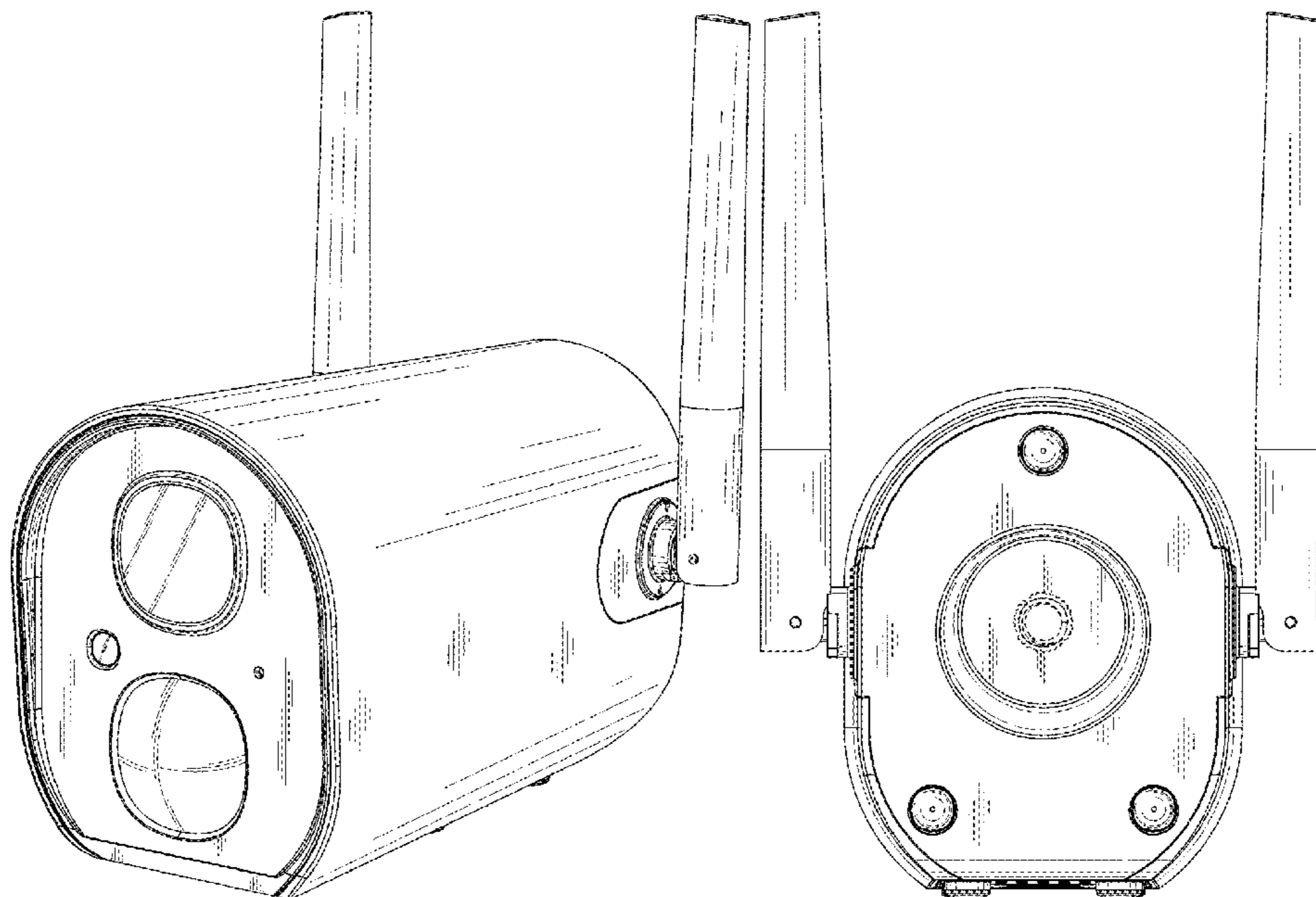
FIG. 5 is a right side view thereof;

FIG. 6 is a top view thereof; and,

FIG. 7 is a bottom view thereof.

The broken lines in the drawings illustrate portions of the monitor which form no part of the claimed design.

1 Claim, 7 Drawing Sheets



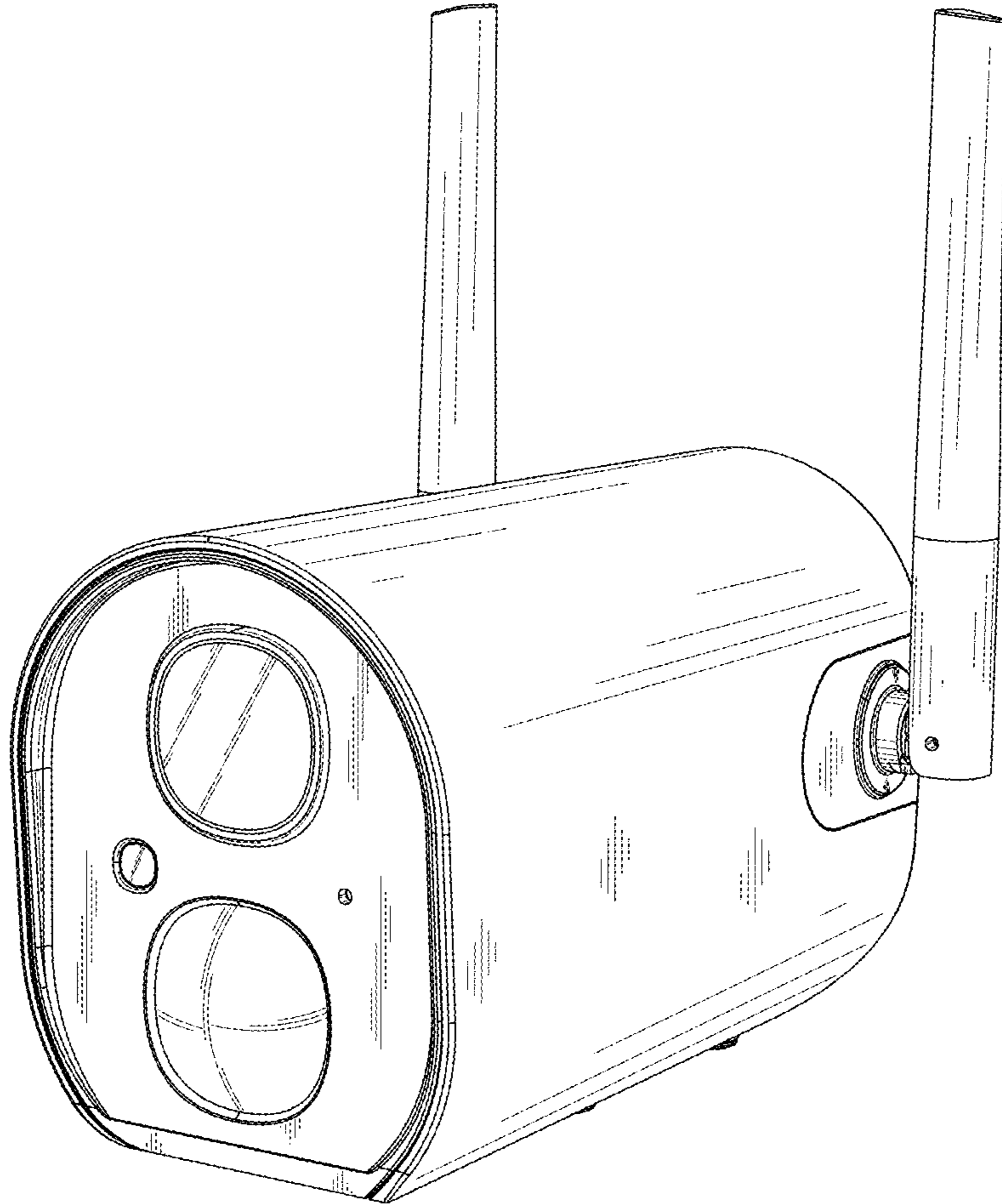


FIG.1

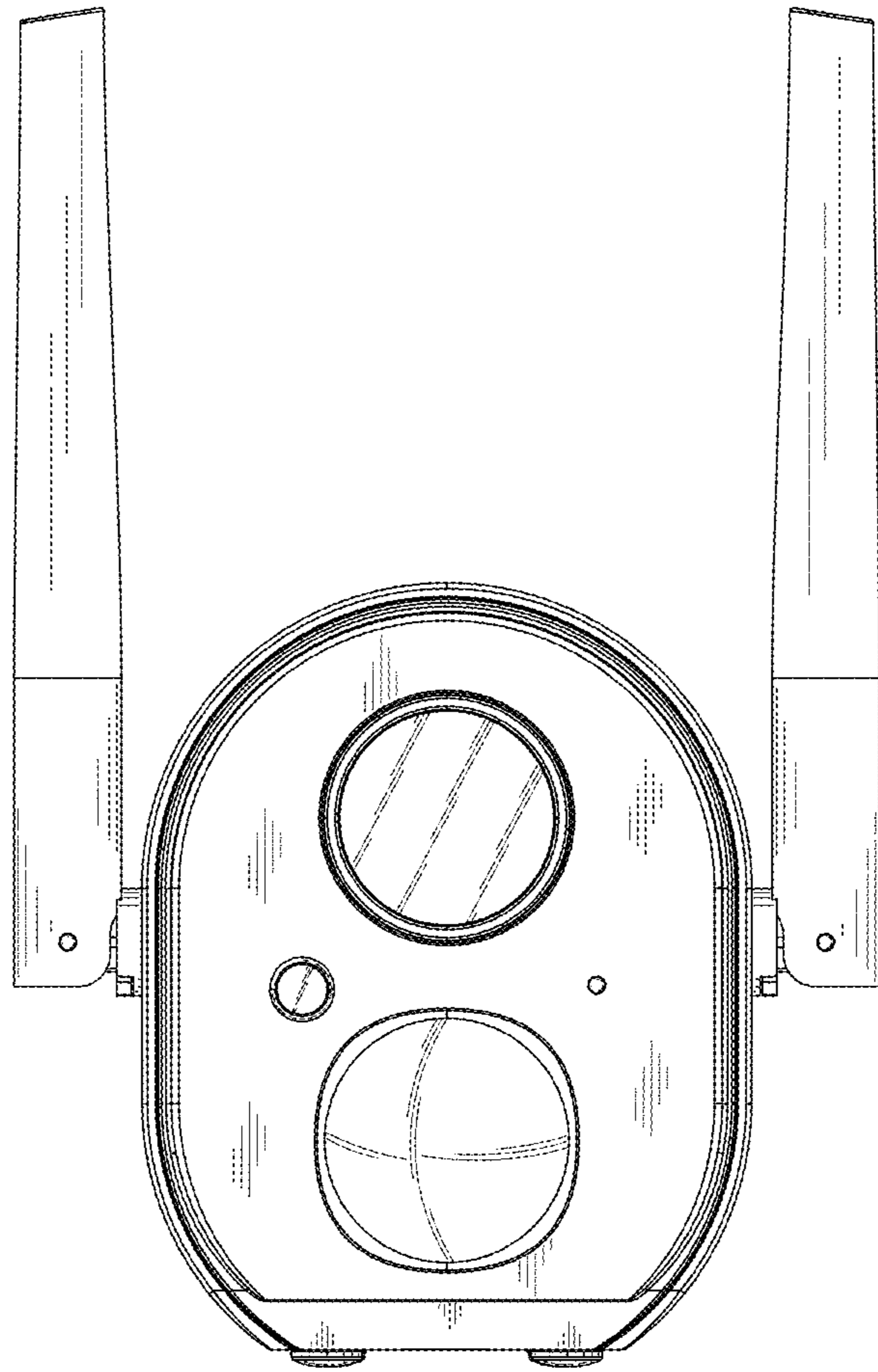


FIG.2

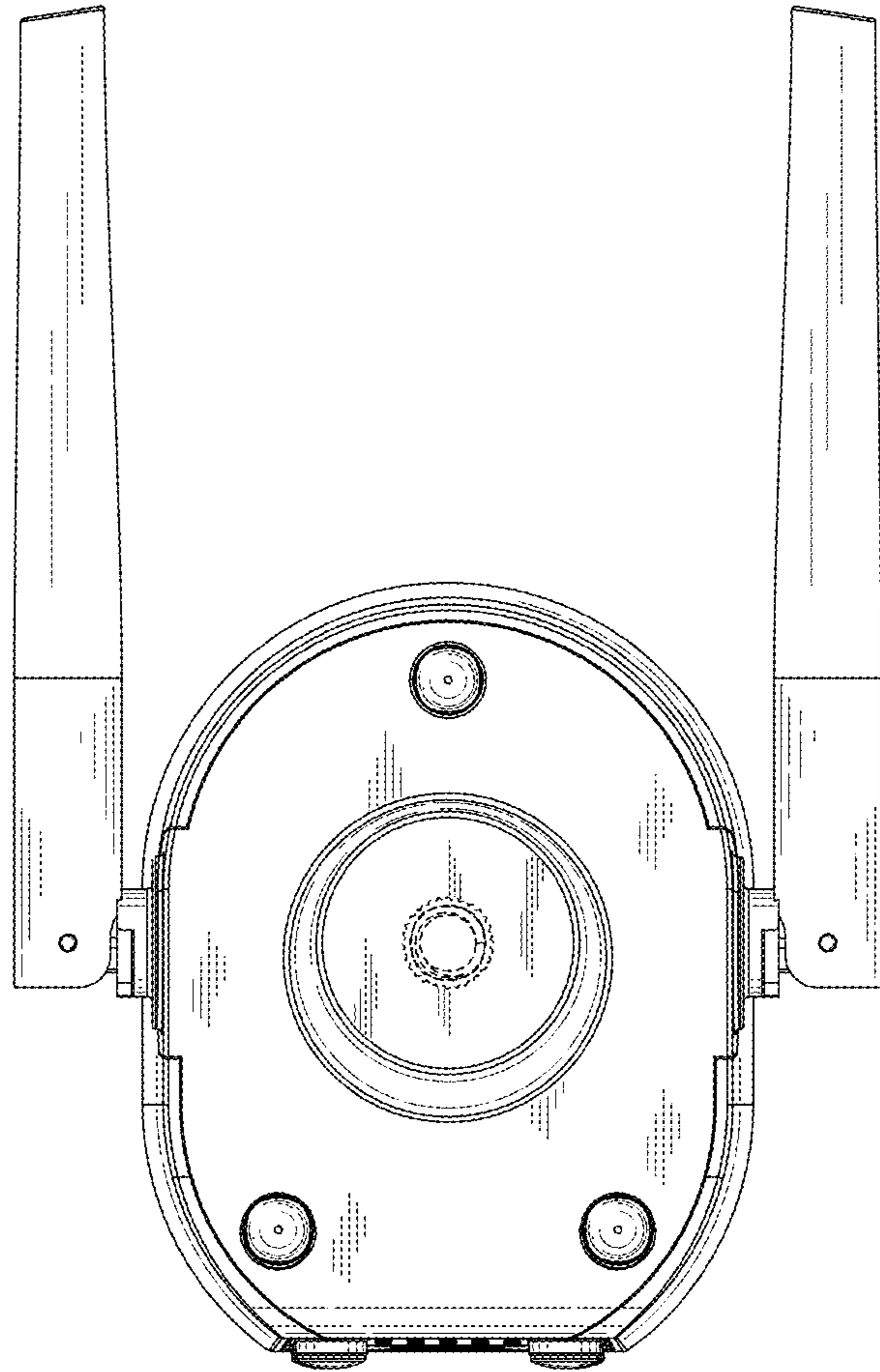


FIG.3

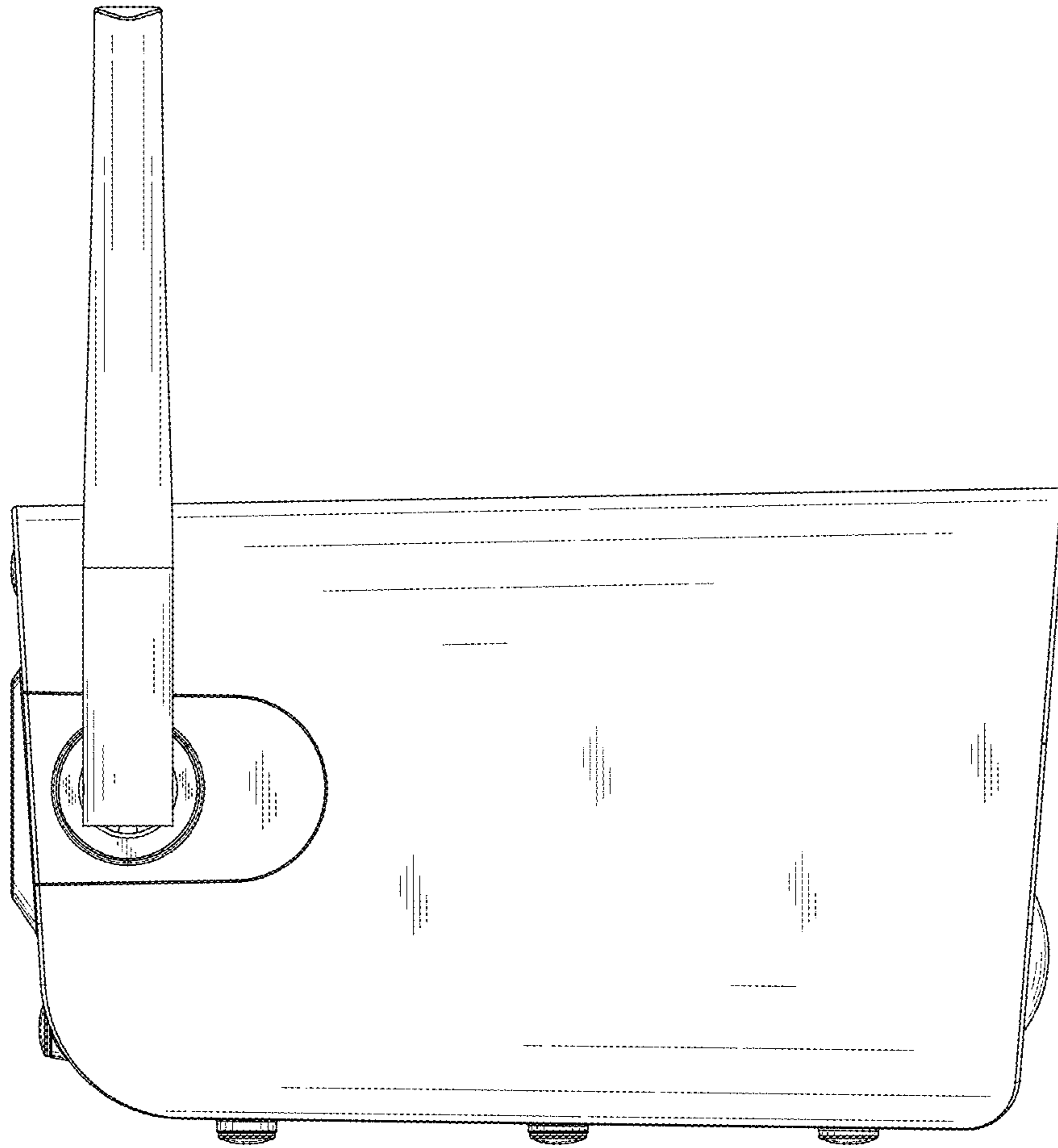


FIG.4

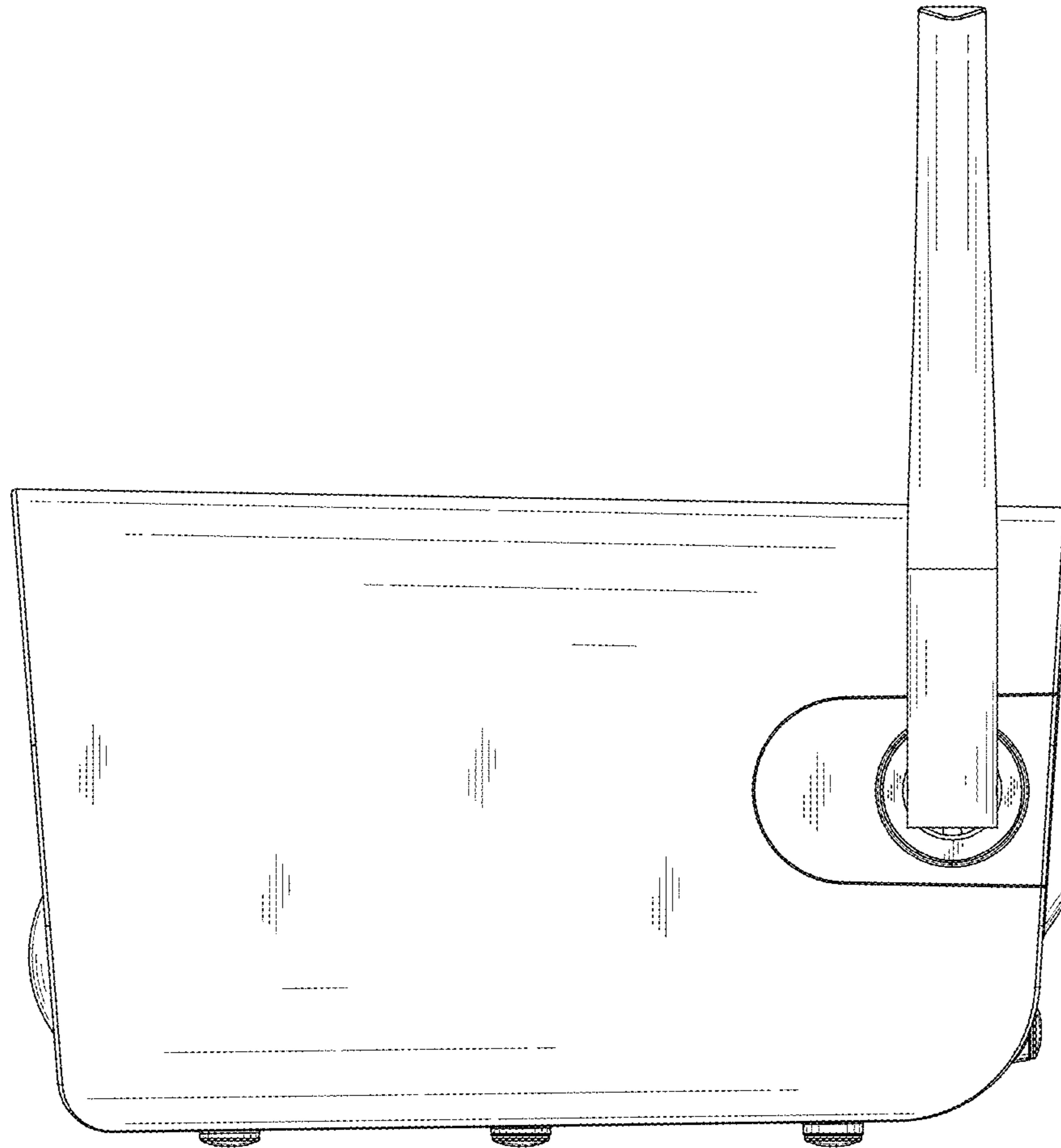


FIG.5

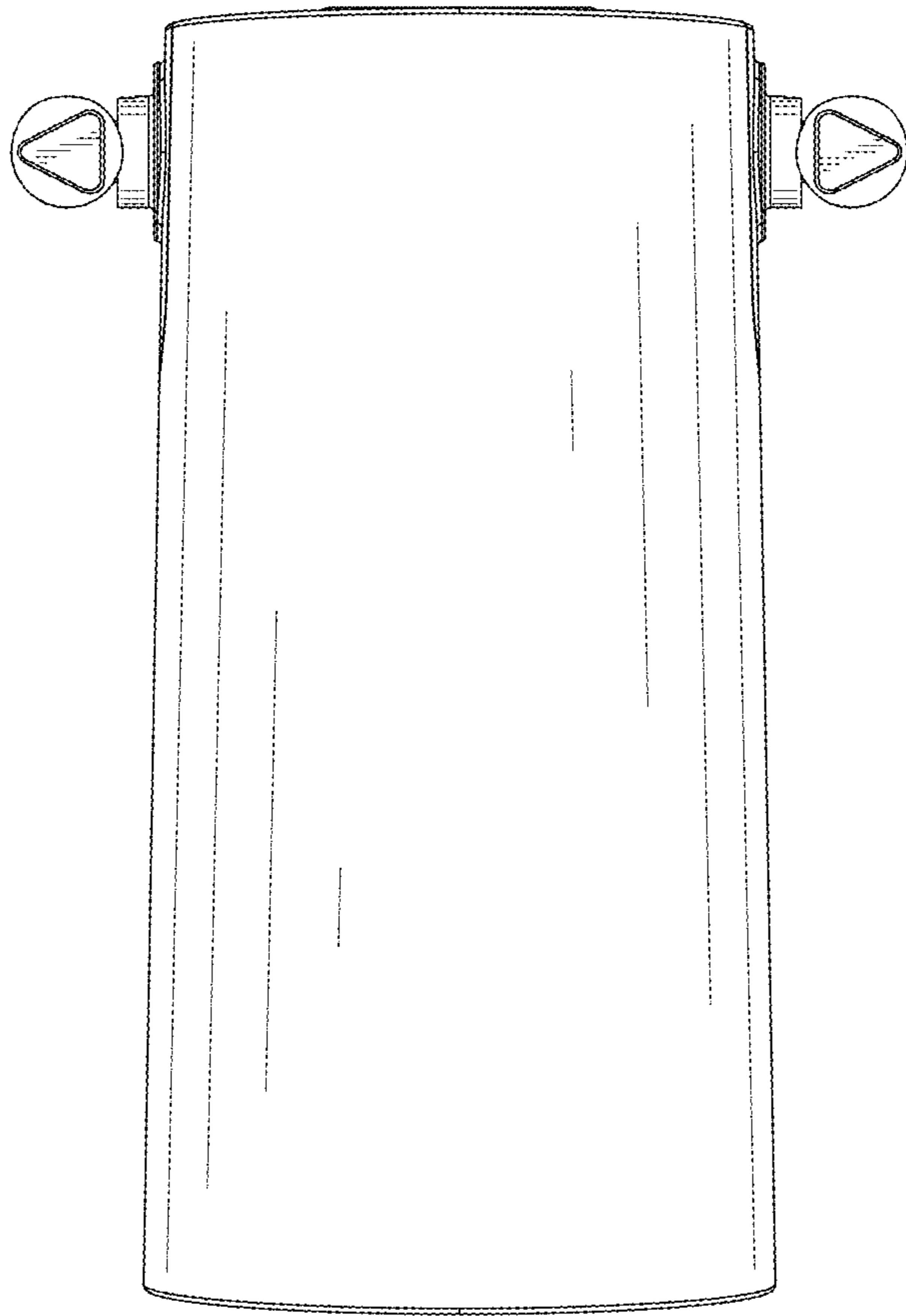


FIG.6

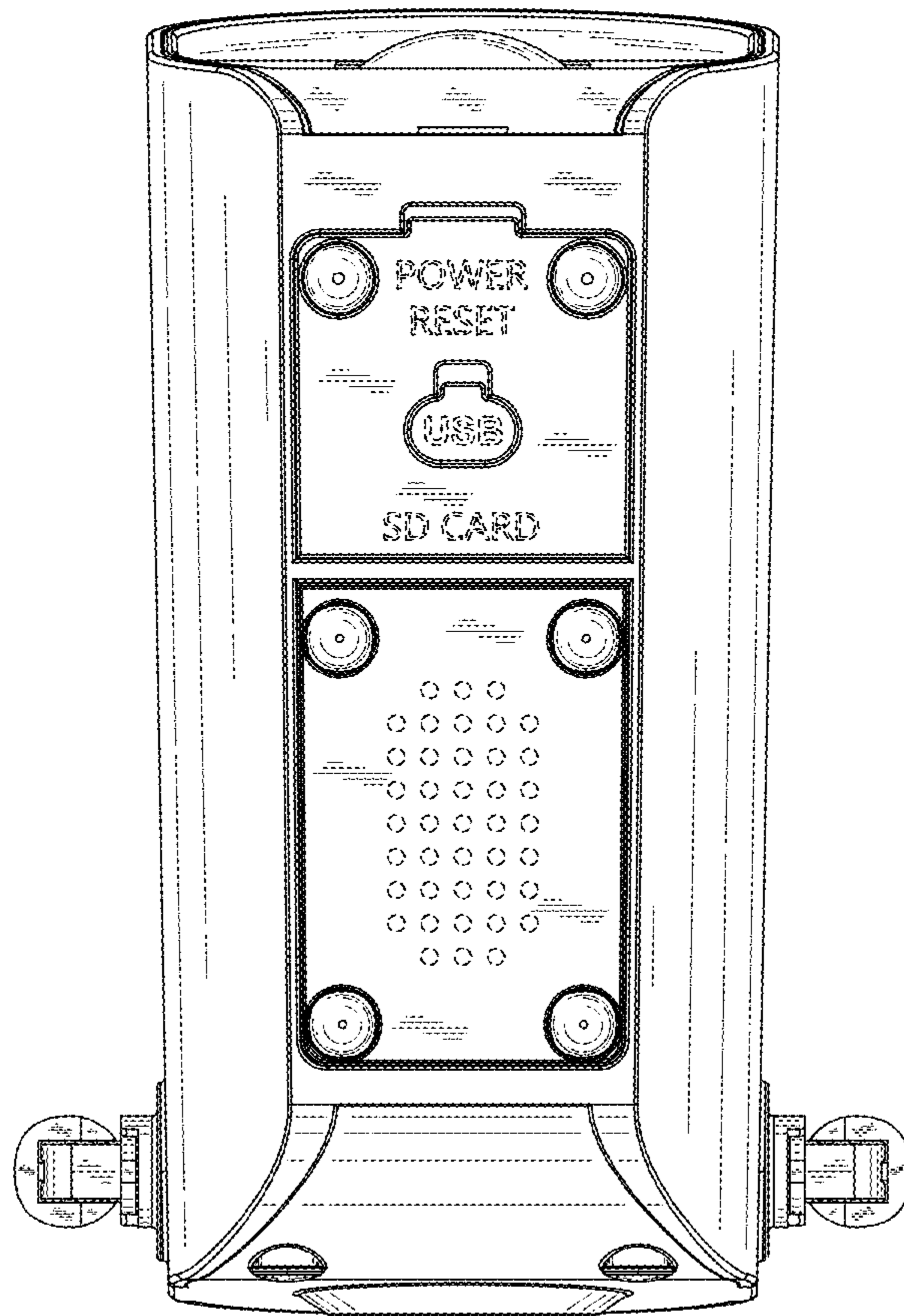


FIG.7