

US00D960953S

(12) **United States Design Patent**
Chen

(10) **Patent No.:** **US D960,953 S**

(45) **Date of Patent:** **** Aug. 16, 2022**

(54) **WEBCAM**

(71) Applicant: **Shenzhen eMeet Technology Co., Ltd.**,
Shenzhen (CN)

(72) Inventor: **Wenming Chen**, Shenzhen (CN)

(73) Assignee: **Shenzhen eMeet Technology Co., Ltd.**,
Shenzhen (CN)

(**) Term: **15 Years**

(21) Appl. No.: **29/766,253**

(22) Filed: **Jan. 14, 2021**

(30) **Foreign Application Priority Data**

Dec. 23, 2020 (CN) 202030795162.5

(51) **LOC (13) Cl.** **16-01**

(52) **U.S. Cl.**
USPC **D16/202**

(58) **Field of Classification Search**

USPC D16/200, 202–203, 208, 218, 219, 242;
248/187.1; 348/14.01–14.6, 143, 148,
348/151, 373–376; 396/419, 427, 428,
396/535, 539–541

CPC G03B 17/02; G03B 19/04; G03B 17/56;
G03B 17/04; G03B 15/03; H04N
2101/00; H04N 2007/145; H04N 7/141;
H04N 7/142; H04N 7/147; H04N 7/148;
H04N 7/15; H04N 7/152

See application file for complete search history.

(56) **References Cited**

U.S. PATENT DOCUMENTS

D537,095 S * 2/2007 Alden D16/202
D563,446 S * 3/2008 Stephens D16/202
D573,622 S * 7/2008 Fisher D16/202
D626,580 S * 11/2010 Tzeng D16/202

D626,983 S * 11/2010 Serge D16/202
D641,770 S * 7/2011 Hoehn D16/202
D651,230 S * 12/2011 Tan D16/202
D678,929 S * 3/2013 Hancock D16/202
D682,332 S * 5/2013 Wang D16/202
8,475,059 B2 * 7/2013 Khamsepoor H04N 5/2251
396/428
D849,088 S * 5/2019 Lai H04N 5/2251
D16/202
D849,089 S * 5/2019 Lu D16/202
D892,896 S * 8/2020 Gartrell D16/203

* cited by examiner

Primary Examiner — Ramzi Almatrahi

(74) *Attorney, Agent, or Firm* — Westbridge IP LLC

(57) **CLAIM**

The ornamental design for a webcam, as shown and described.

DESCRIPTION

FIG. 1 is a front perspective view of a webcam showing my new design;

FIG. 2 is a rear perspective view thereof;

FIG. 3 is a front elevational view thereof;

FIG. 4 is a rear elevational view thereof;

FIG. 5 is a left side elevational view thereof;

FIG. 6 is a right side elevational view thereof;

FIG. 7 is a top plan view thereof;

FIG. 8 is a bottom plan view thereof;

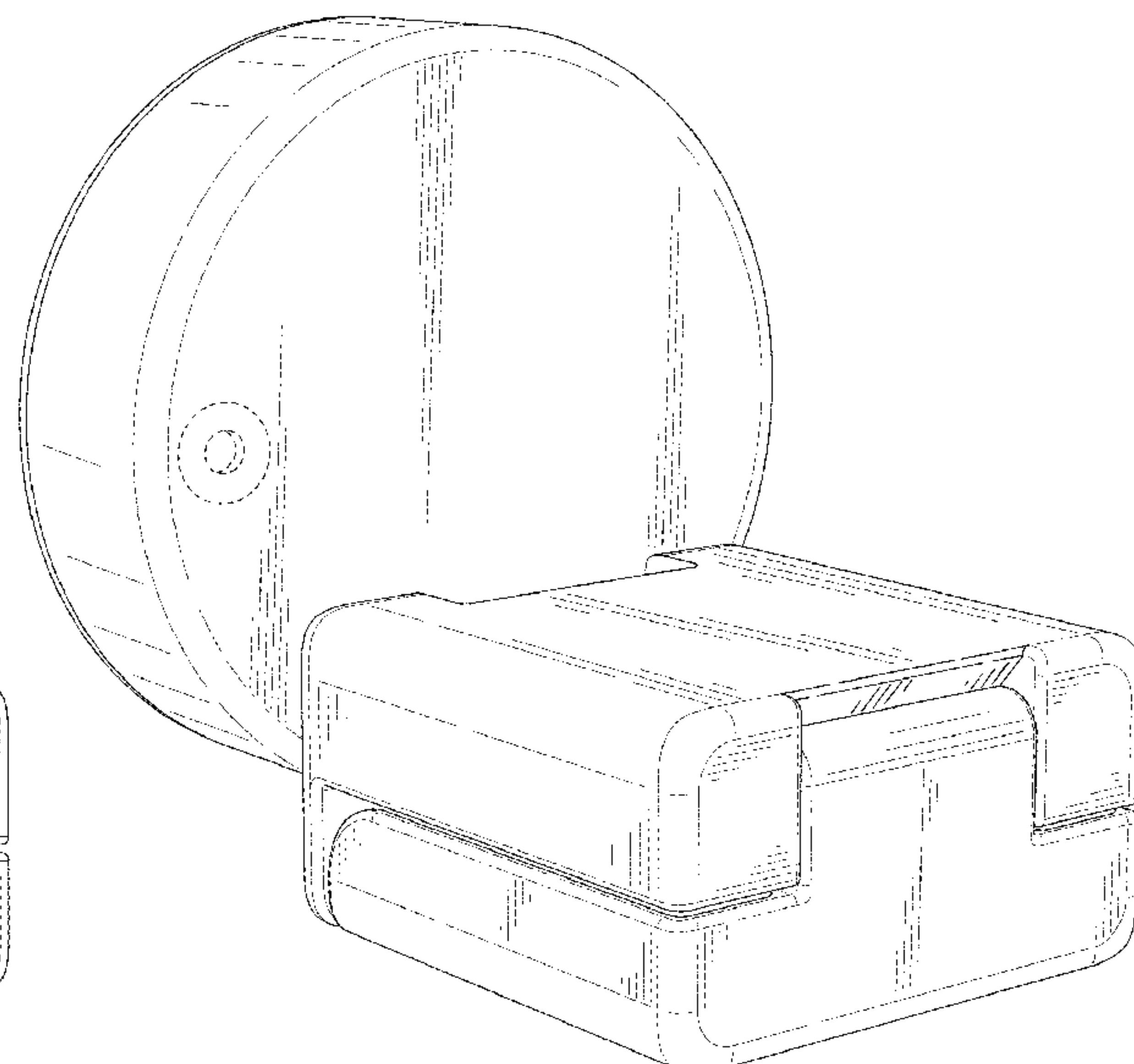
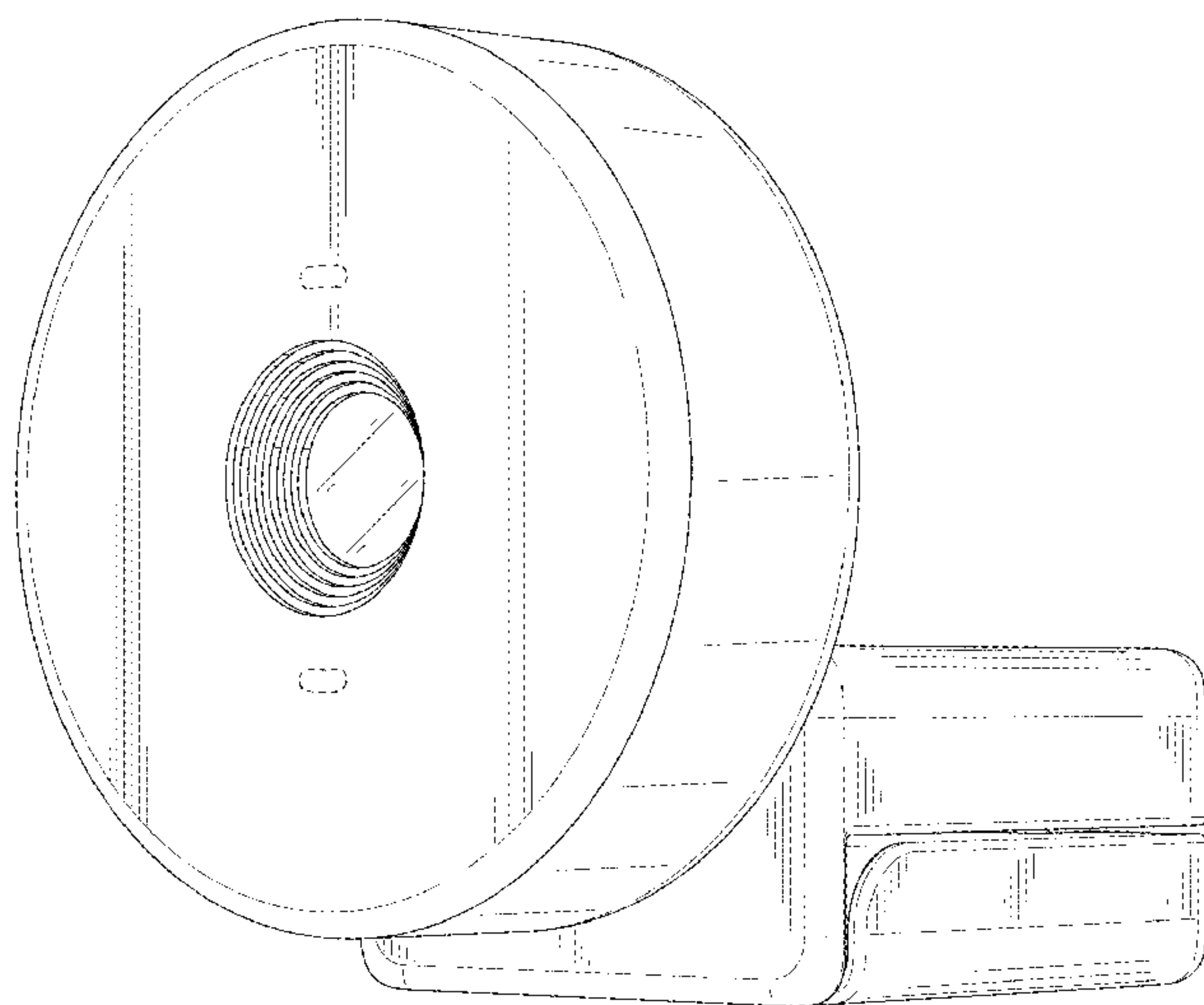
FIG. 9 is a front perspective view thereof, shown in an alternate first configuration;

FIG. 10 is a front perspective view thereof, shown in an alternate second configuration; and,

FIG. 11 is a front perspective view thereof, shown in an alternate third configuration.

The broken lines depict portions of the webcam in which the design is embodied that form no part of the claimed design.

1 Claim, 11 Drawing Sheets



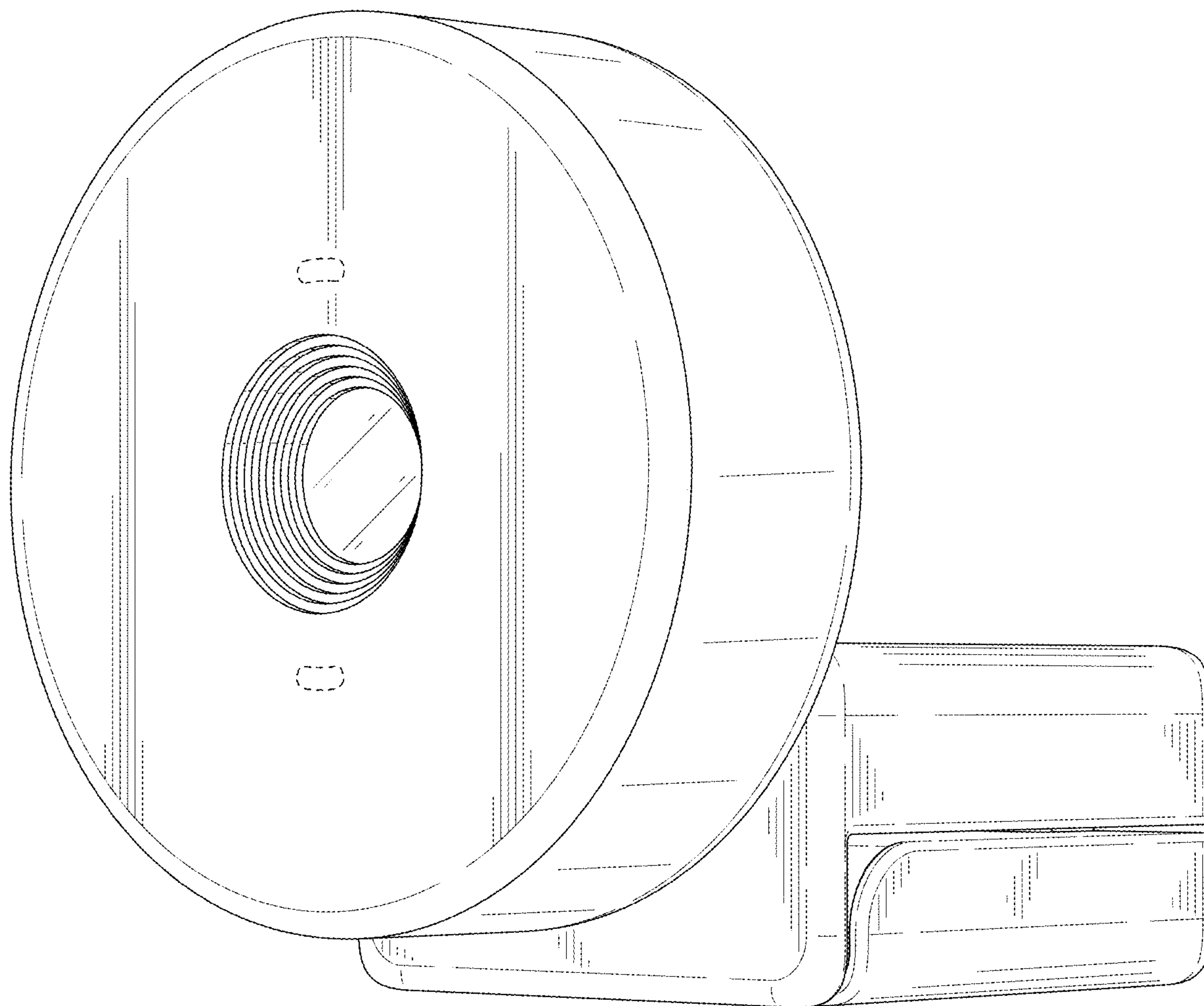


FIG. 1

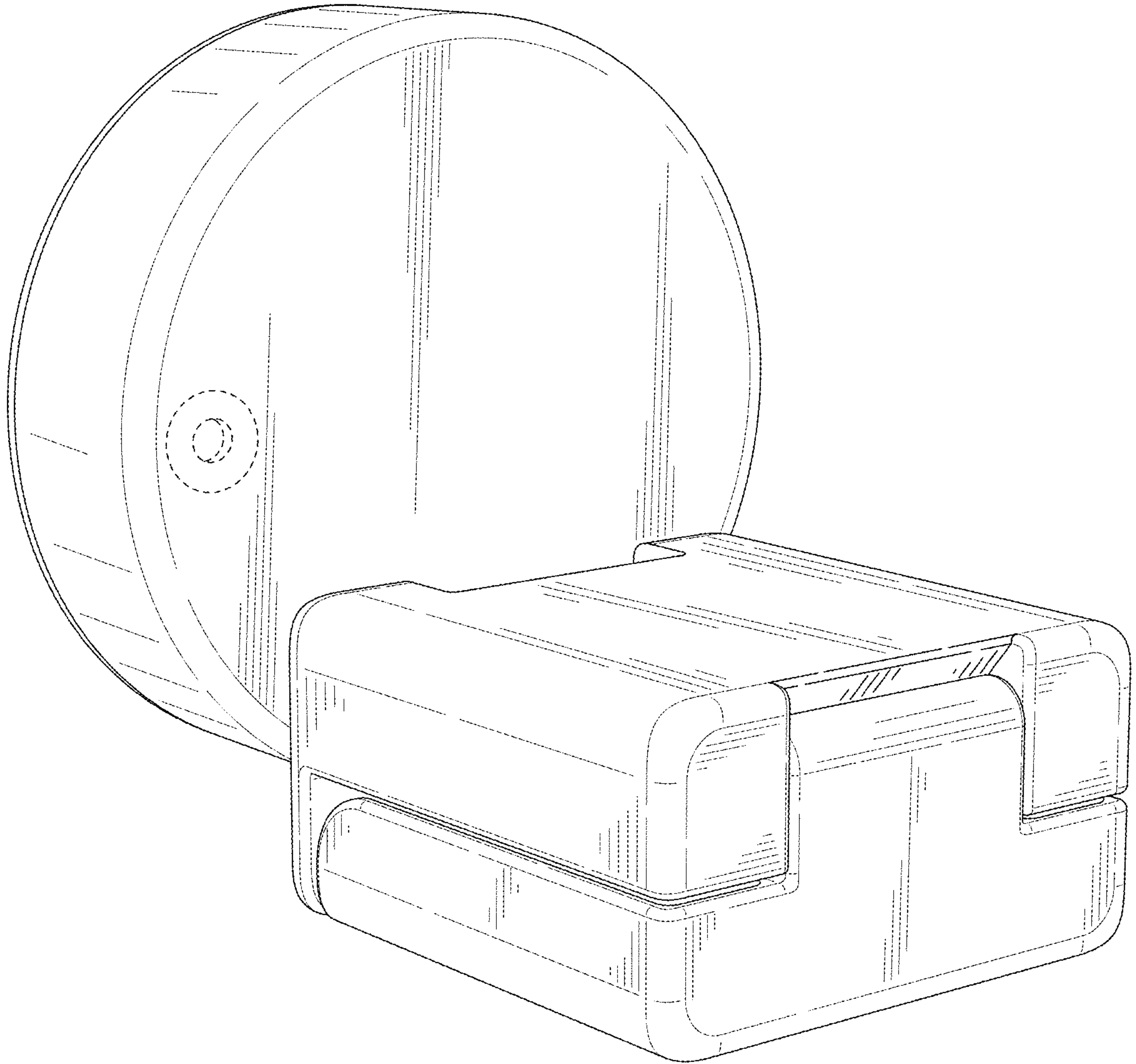


FIG. 2

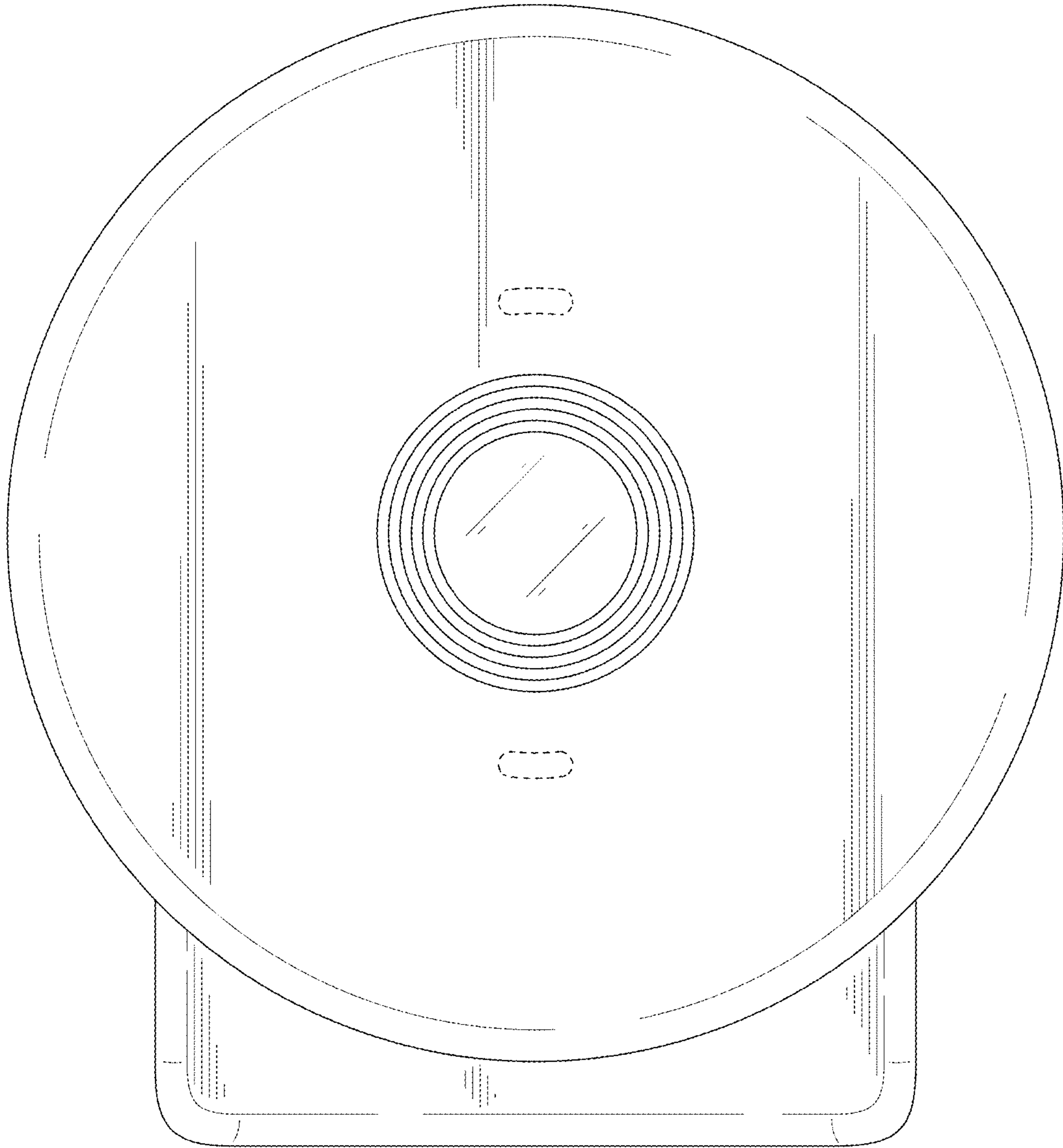


FIG. 3

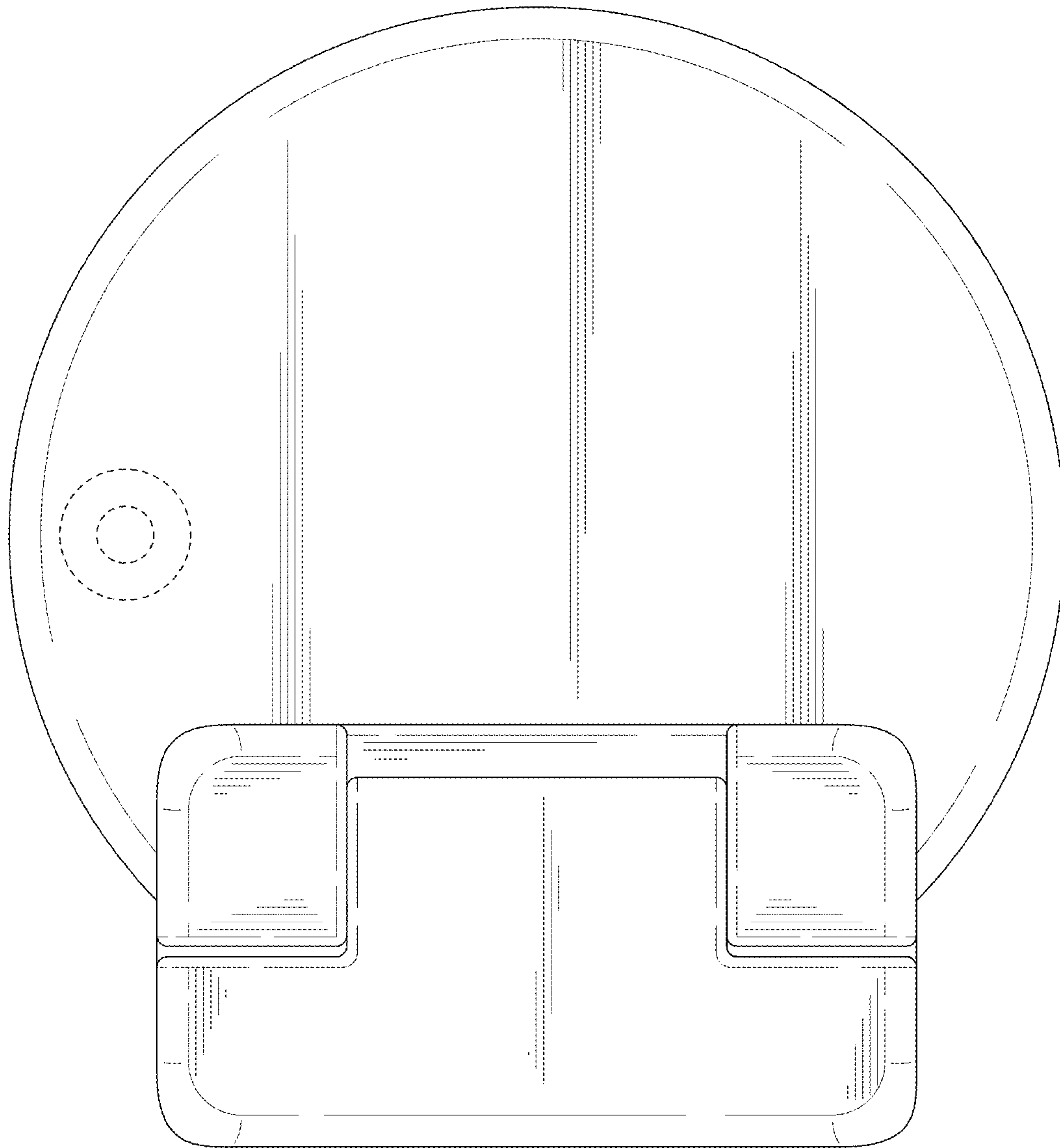


FIG. 4

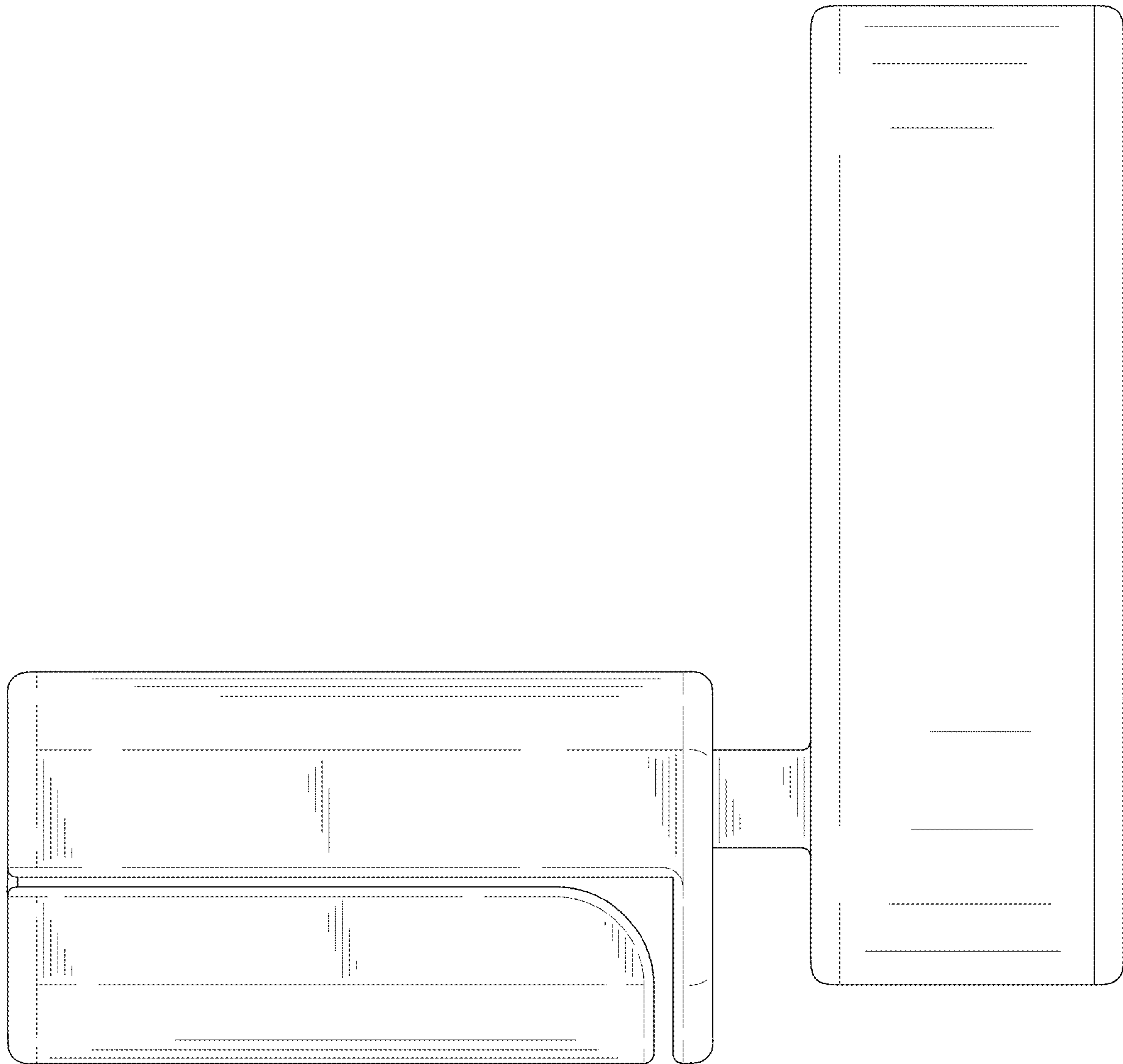


FIG. 5

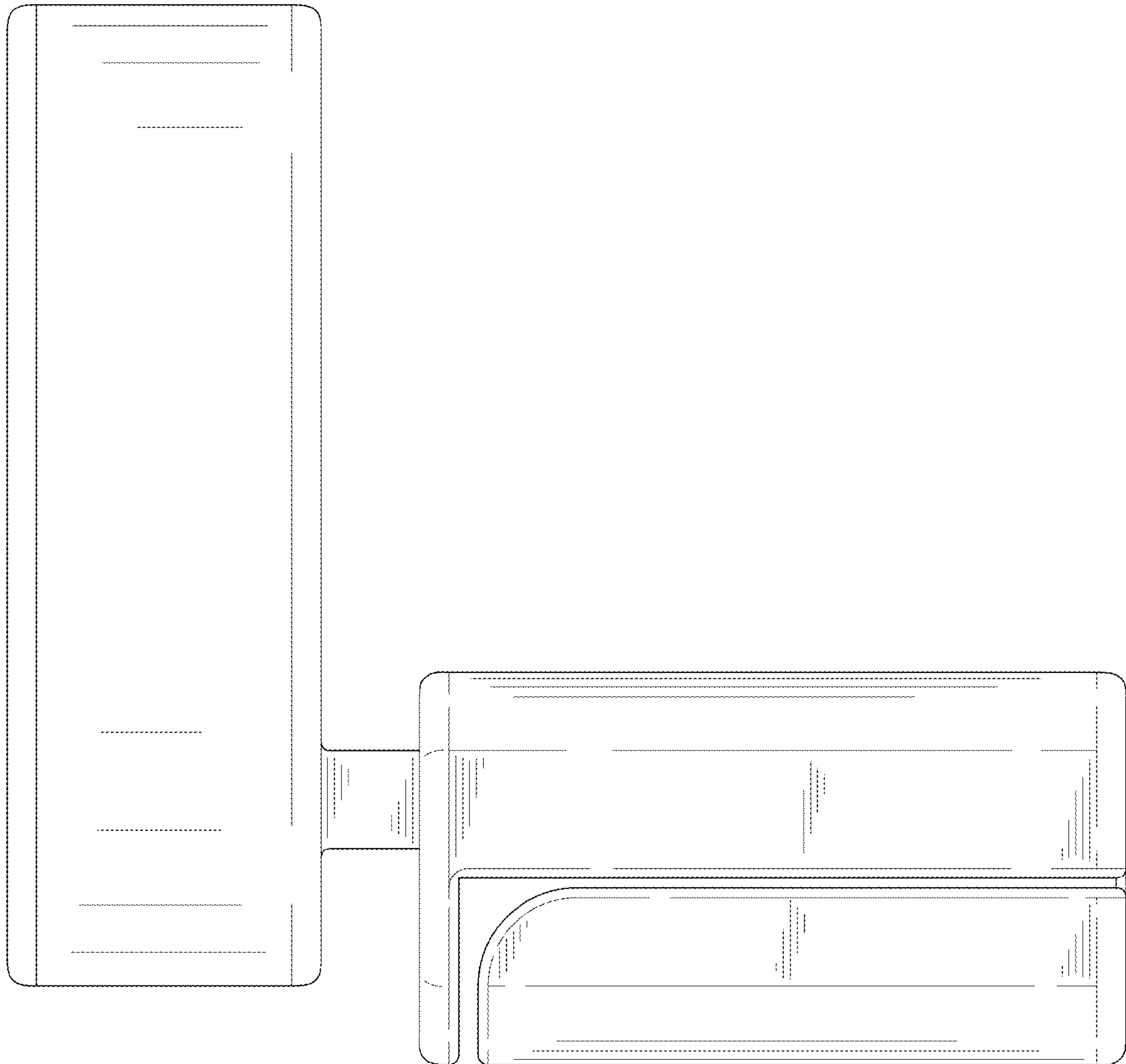


FIG. 6

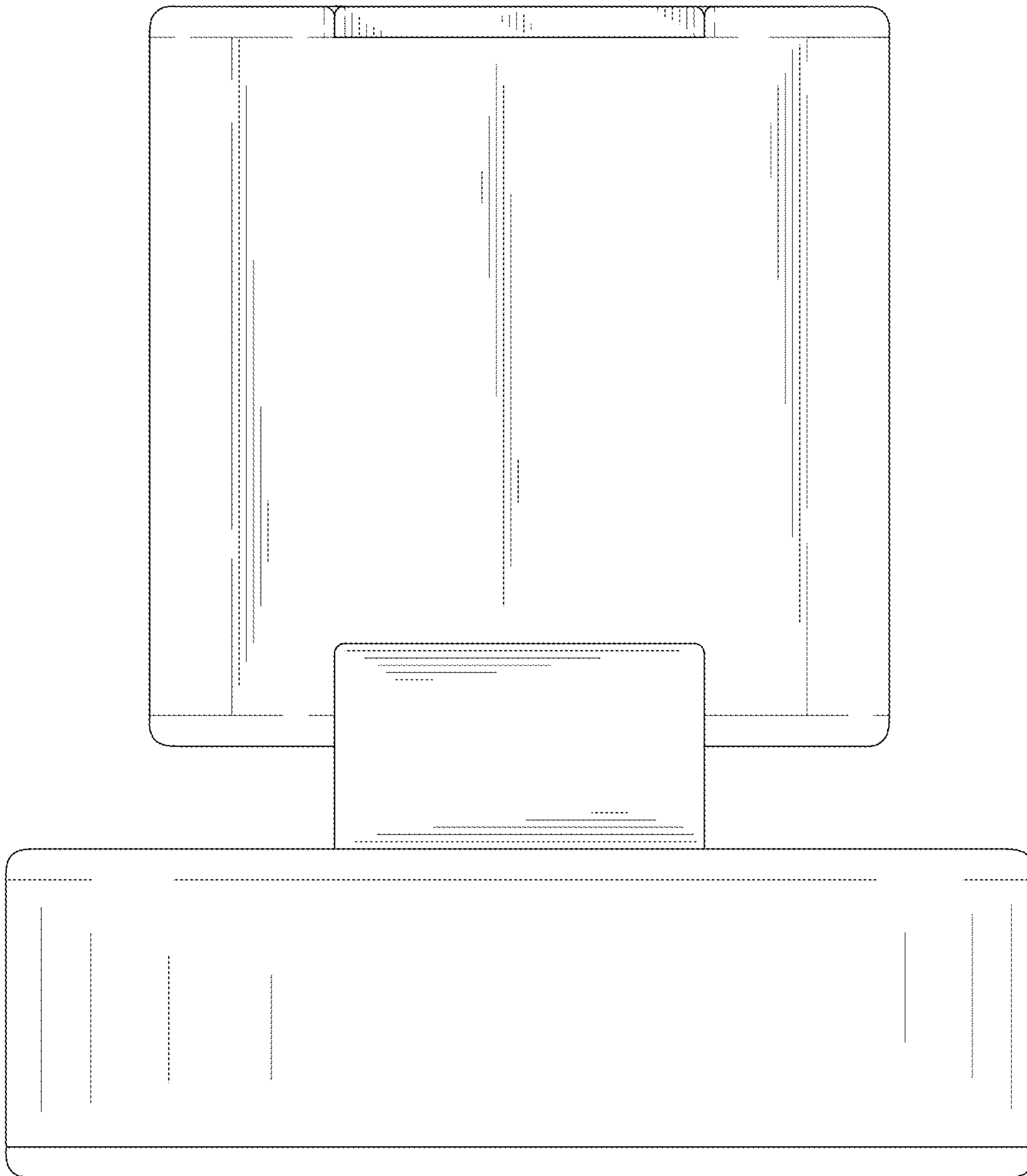


FIG. 7

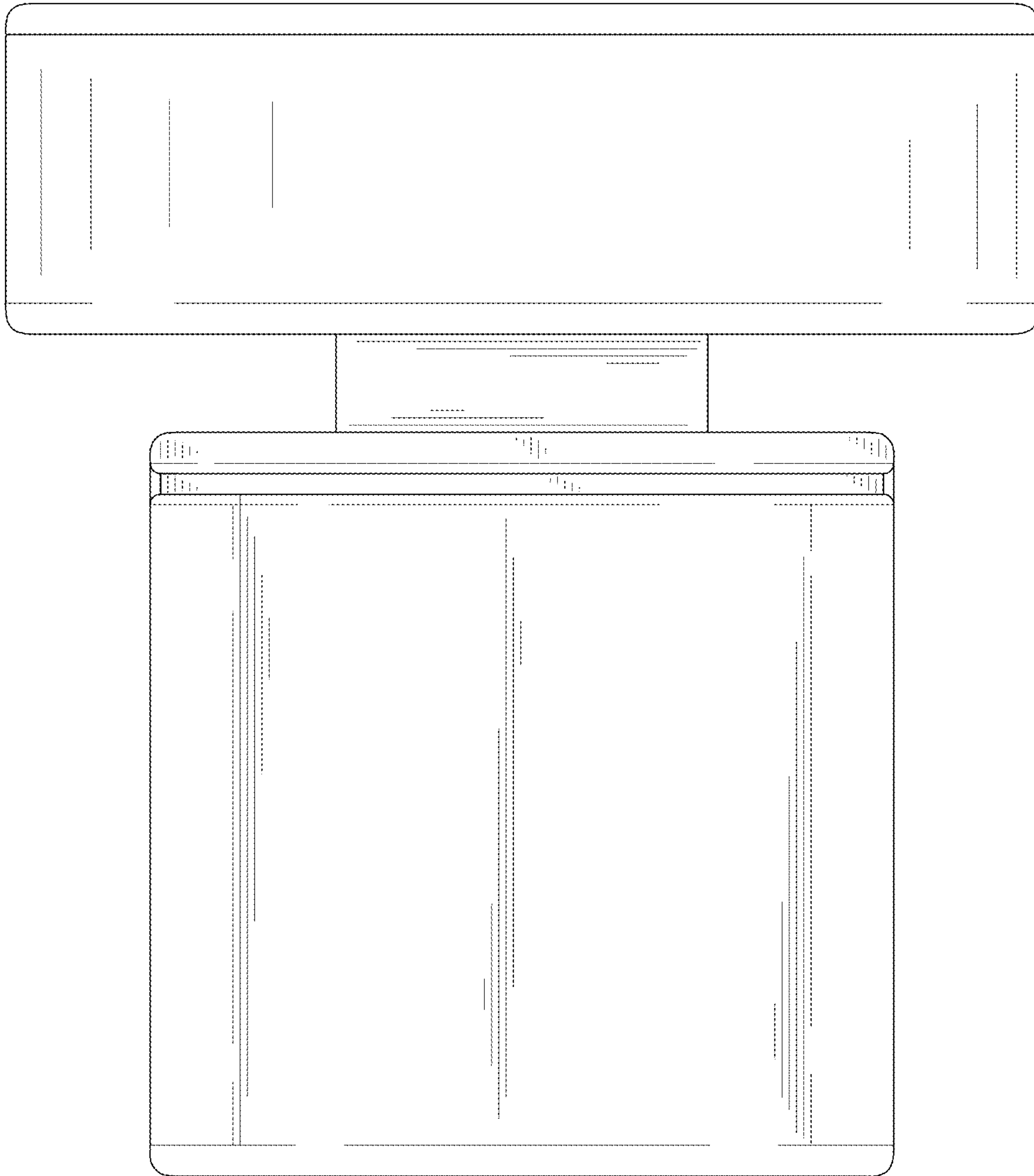


FIG. 8

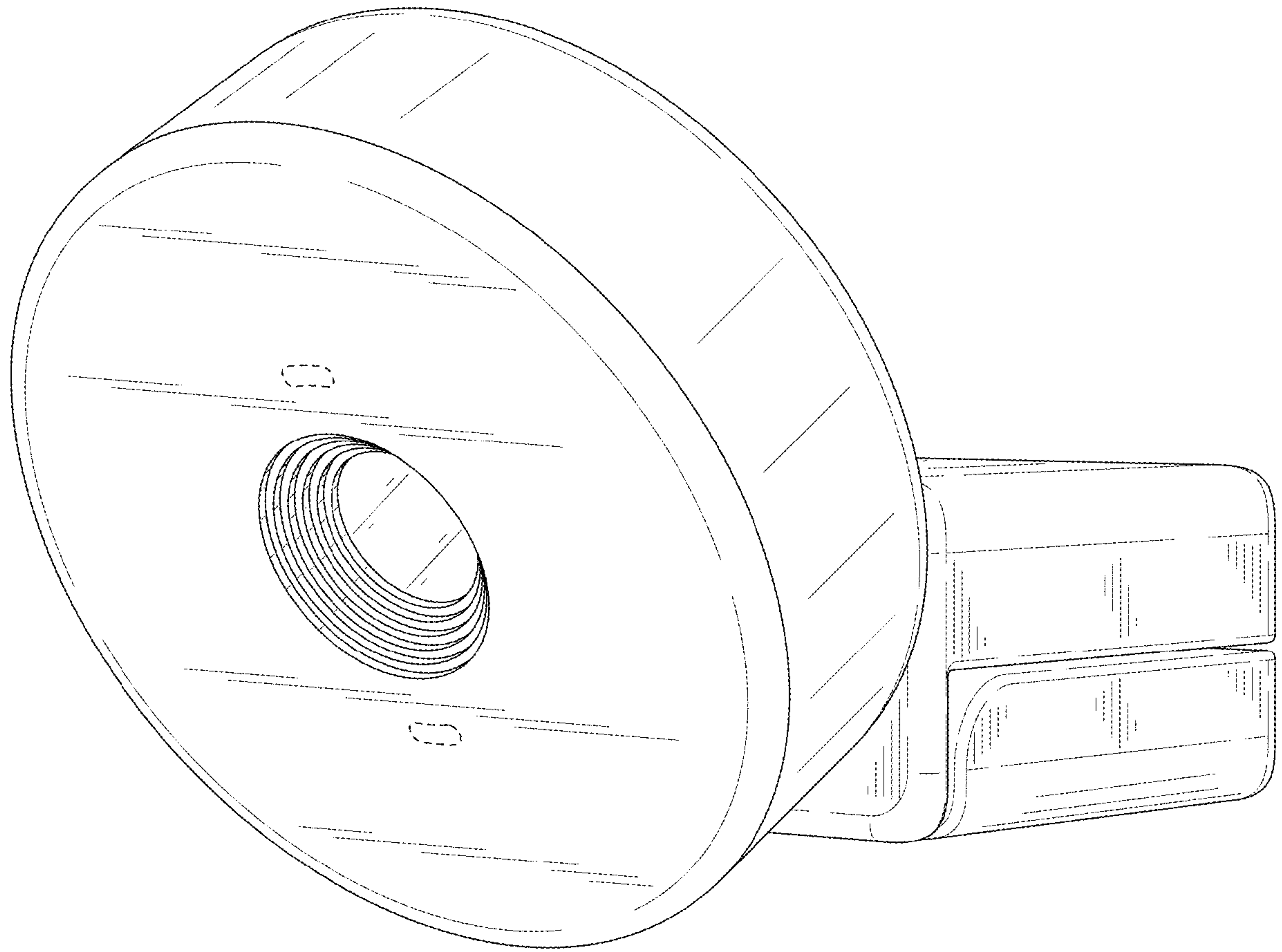


FIG. 9

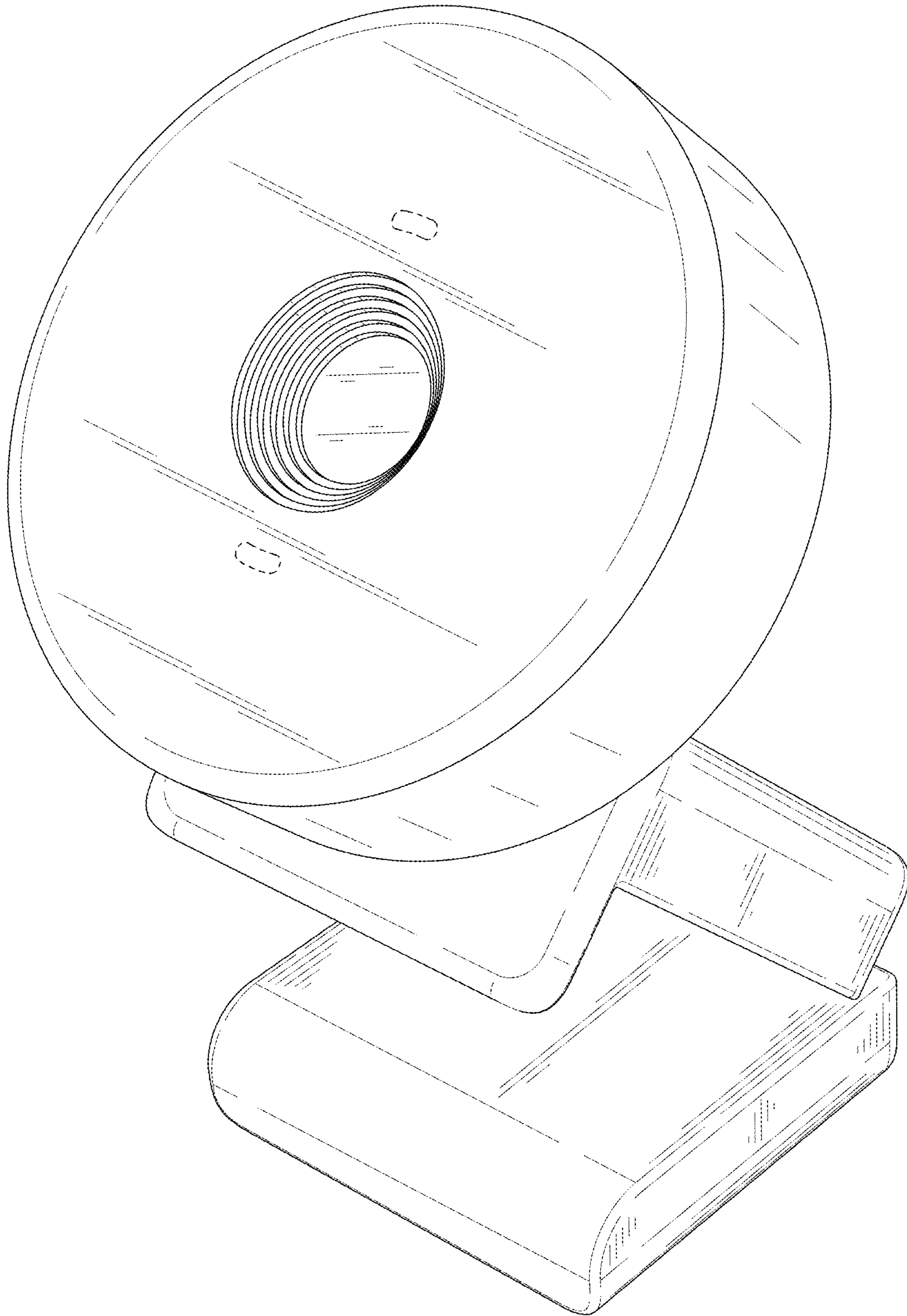


FIG. 10

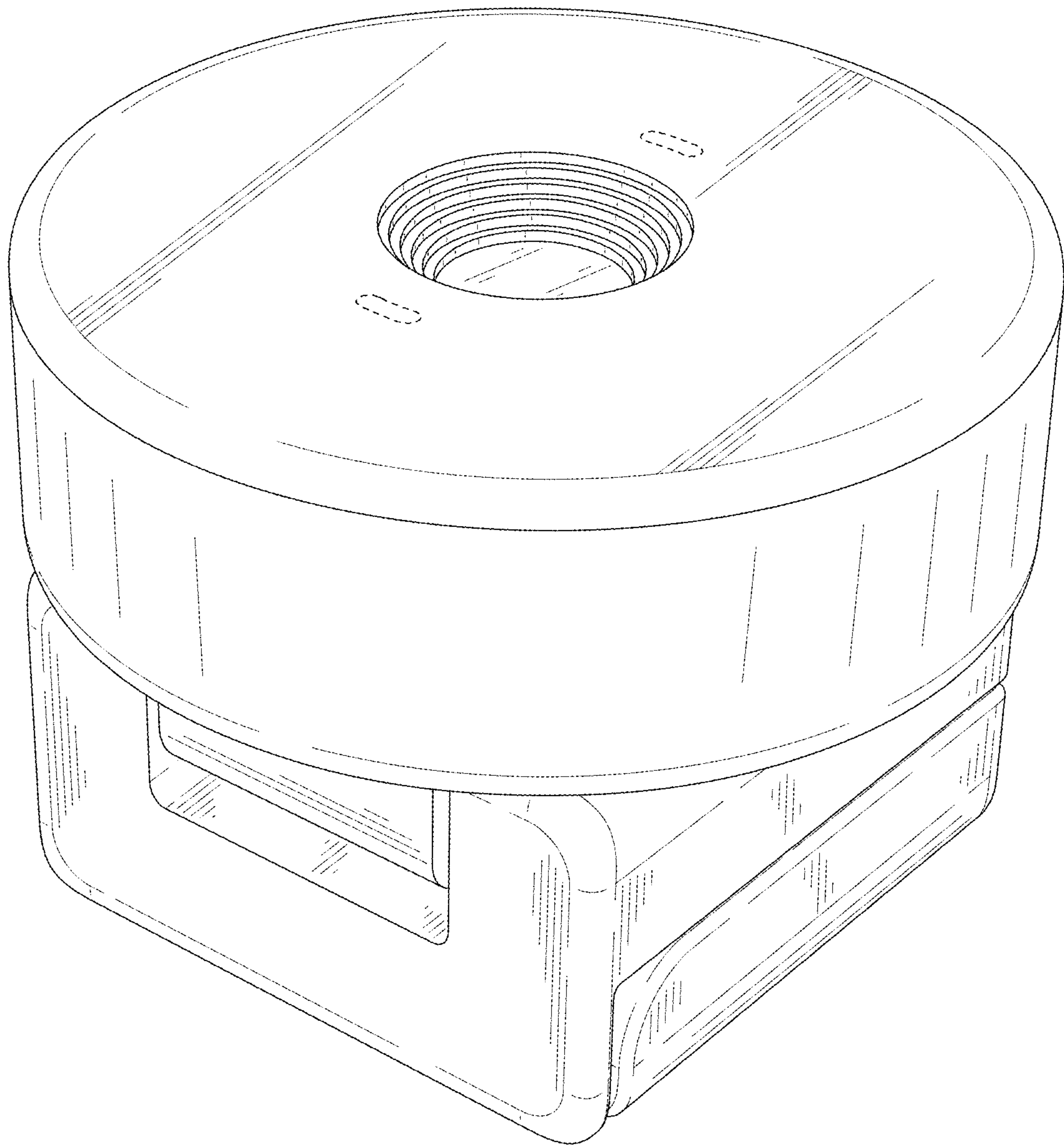


FIG. 11