

US00D960952S

(12) **United States Design Patent**
Chen

(10) **Patent No.:** **US D960,952 S**

(45) **Date of Patent:** **** Aug. 16, 2022**

(54) **CAMERA**

FOREIGN PATENT DOCUMENTS

(71) Applicant: **Dongguan Aomeijia Electronic Co., Ltd.**, Dongguan (CN)

CN 305327375 * 8/2019
CN 305641164 * 3/2020
CN 306522474 * 5/2021

(72) Inventor: **Zhujun Chen**, Dongguan (CN)

OTHER PUBLICATIONS

(73) Assignee: **Dongguan Aomeijia Electronic Co., Ltd.**, Dongguan (CN)

(**) Term: **15 Years**

(21) Appl. No.: **29/764,609**

(22) Filed: **Dec. 31, 2020**

(30) **Foreign Application Priority Data**

Dec. 24, 2020 (CN) 202030800560.1

(51) **LOC (13) Cl.** **16-01**

(52) **U.S. Cl.**
USPC **D16/200; D16/203**

(58) **Field of Classification Search**
USPC D16/200–203, 207–208, 218–219;
D10/46, 60, 62, 65, 104.1, 106.6, 106.7,
D10/109.1, 109.2, 121; D14/137;
D21/517

CPC G03B 17/00; G03B 17/02; G03B 17/08;
G03B 2217/00; H04N 5/2251; H04N
5/2252; H04N 5/22521; H04N 5/2258;
H04N 5/23218

See application file for complete search history.

(56) **References Cited**

U.S. PATENT DOCUMENTS

D838,763 S * 1/2019 Yu D16/218
D872,791 S * 1/2020 Chen D16/218
D874,545 S * 2/2020 Wang D16/218
D881,969 S * 4/2020 Li D16/203
D883,361 S * 5/2020 Ren D16/203
D888,125 S * 6/2020 Wang D16/203
D928,215 S * 8/2021 Jiang D16/203

“WiFi Trail Camera-Bluetooth 1296P 20MP Hunting Game Camera with Night Vision Motion Activated for Wildlife Monitoring Waterproof IP66” from Amazon.com, first available Jul. 15, 2021 from the internet <[https://www.amazon.com/dp/B099KKG3FH?ots=1&slotNum=2&imprToken=bac05f7d-ebac-4071-2c5&ascsubtag=\[\]st\[p\]ckwze2osn0000e5ltz9ybyg1m\[i\]a08D6q\[u\]2\[t\]w\[r\]google.com\[d\]D\[z\]m&tag=thestrategistsite-20](https://www.amazon.com/dp/B099KKG3FH?ots=1&slotNum=2&imprToken=bac05f7d-ebac-4071-2c5&ascsubtag=[]st[p]ckwze2osn0000e5ltz9ybyg1m[i]a08D6q[u]2[t]w[r]google.com[d]D[z]m&tag=thestrategistsite-20)> (Year: 2021).*

“20MP 1080P Hunting Trail Camera Wildlife Night Vision Motion Activated” from amitale.com, first retrieved May 13, 2022 from the internet <https://www.amitale.com/products/20mp-1080p-hunting-trail-camera-wildlife-night-vision-motion-activated-outdoor-waterproof-wildlife-scouting-trap-game-cam?currency=USD&utm_medium=cpc&utm_source=google&utm_campaign=Google%20Shopping&gclid=EA1a1QobChM1urCxxvZ_d9wIV2deGCh2USw47EAQYCiABEgJUsPD_BwE> (Year: 2022).*

* cited by examiner

Primary Examiner — Michelle E. Wilson

Assistant Examiner — Lacey Chey Bowman

(57) **CLAIM**

The ornamental design for a camera, as shown and described.

DESCRIPTION

FIG. 1 is a perspective view of a camera showing my new design;

FIG. 2 is a front elevational view thereof;

FIG. 3 is a rear elevational view thereof;

FIG. 4 is a left side elevational view thereof;

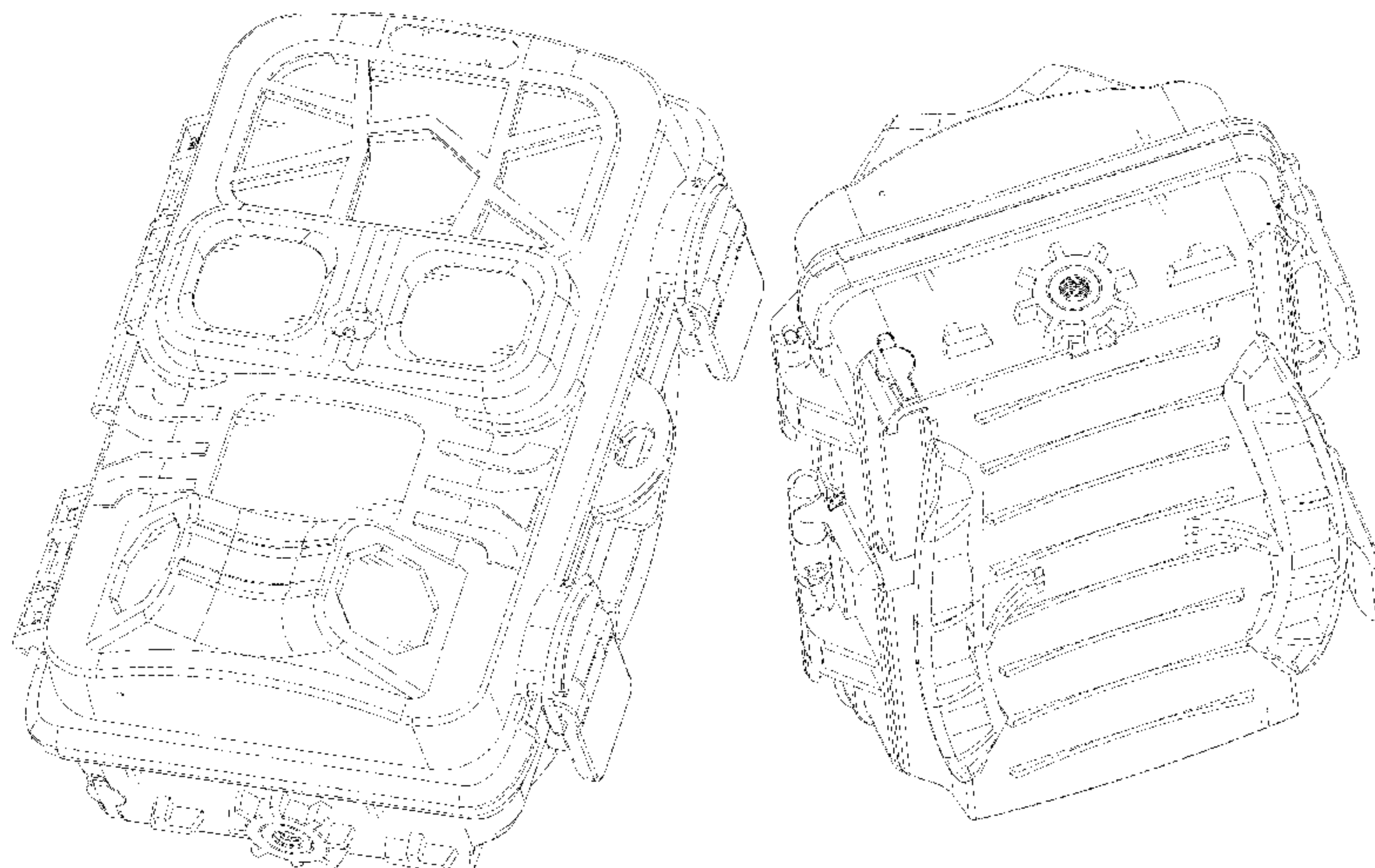
FIG. 5 is a right side elevational view thereof;

FIG. 6 is a top plan view thereof;

FIG. 7 is a bottom plan view thereof; and,

FIG. 8 is another perspective view of the camera shown in FIG. 1.

(Continued)



The broken lines in the drawings depict portions of the camera that form no part of the claimed design.

1 Claim, 8 Drawing Sheets

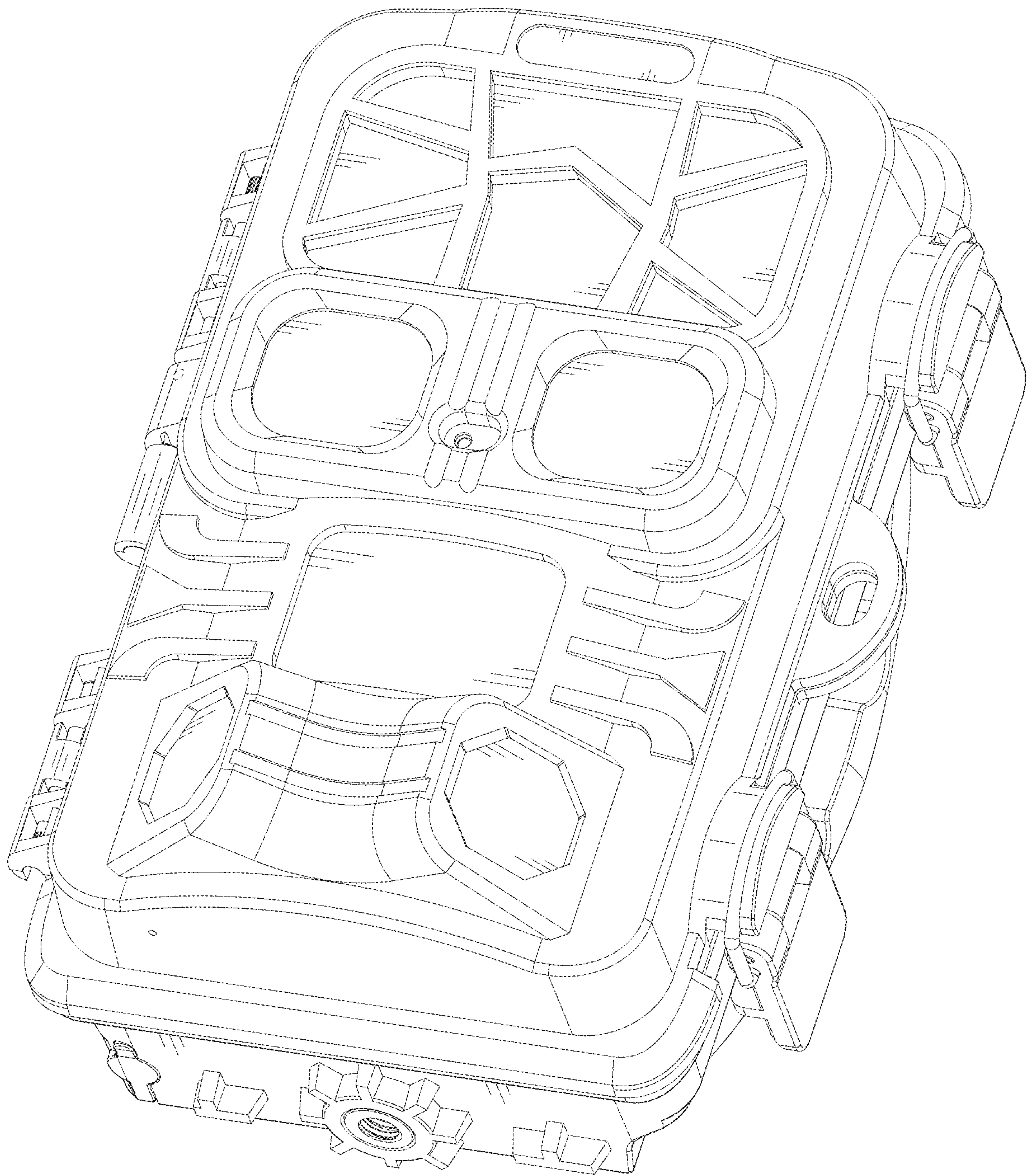


FIG. 1

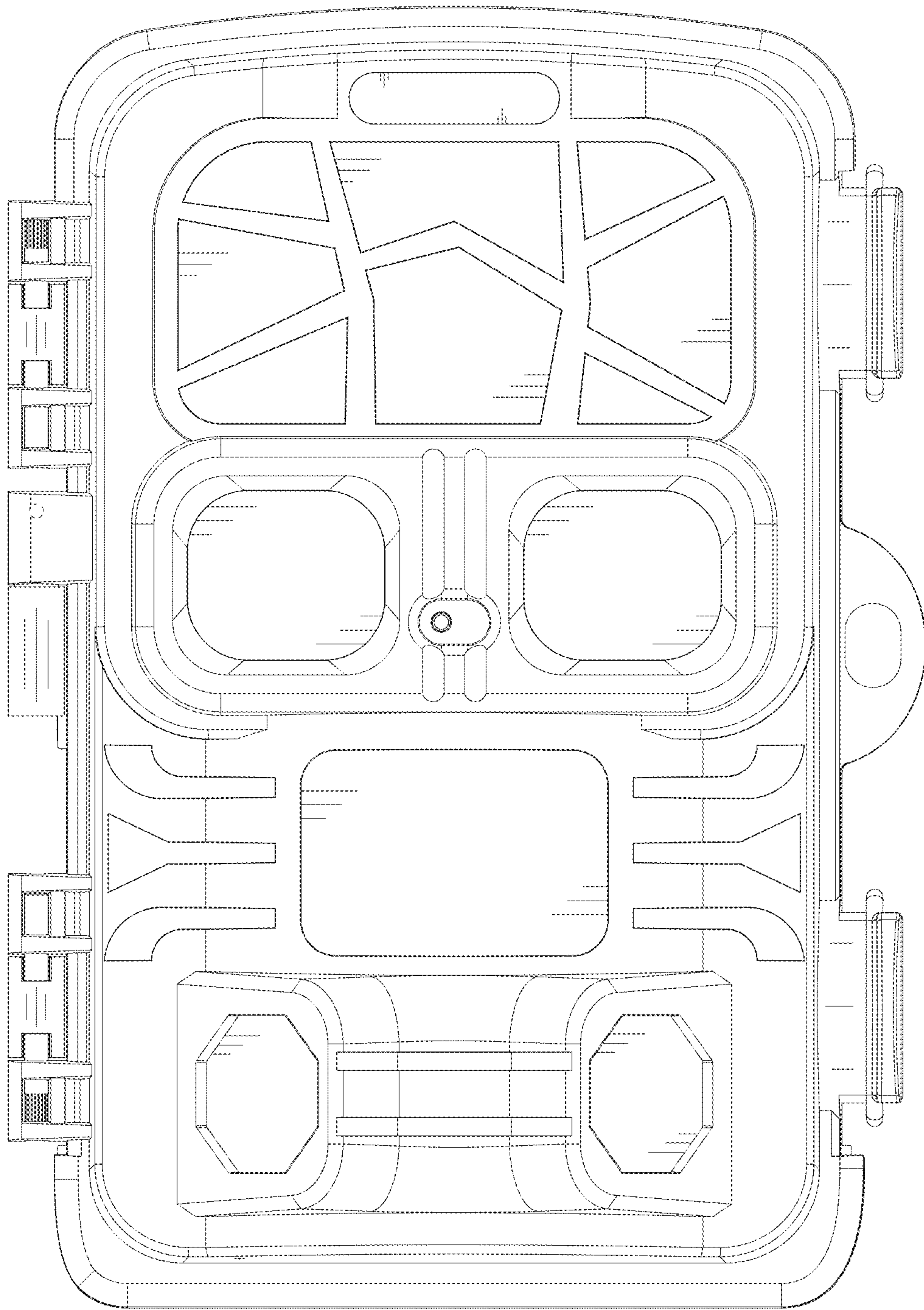


FIG. 2

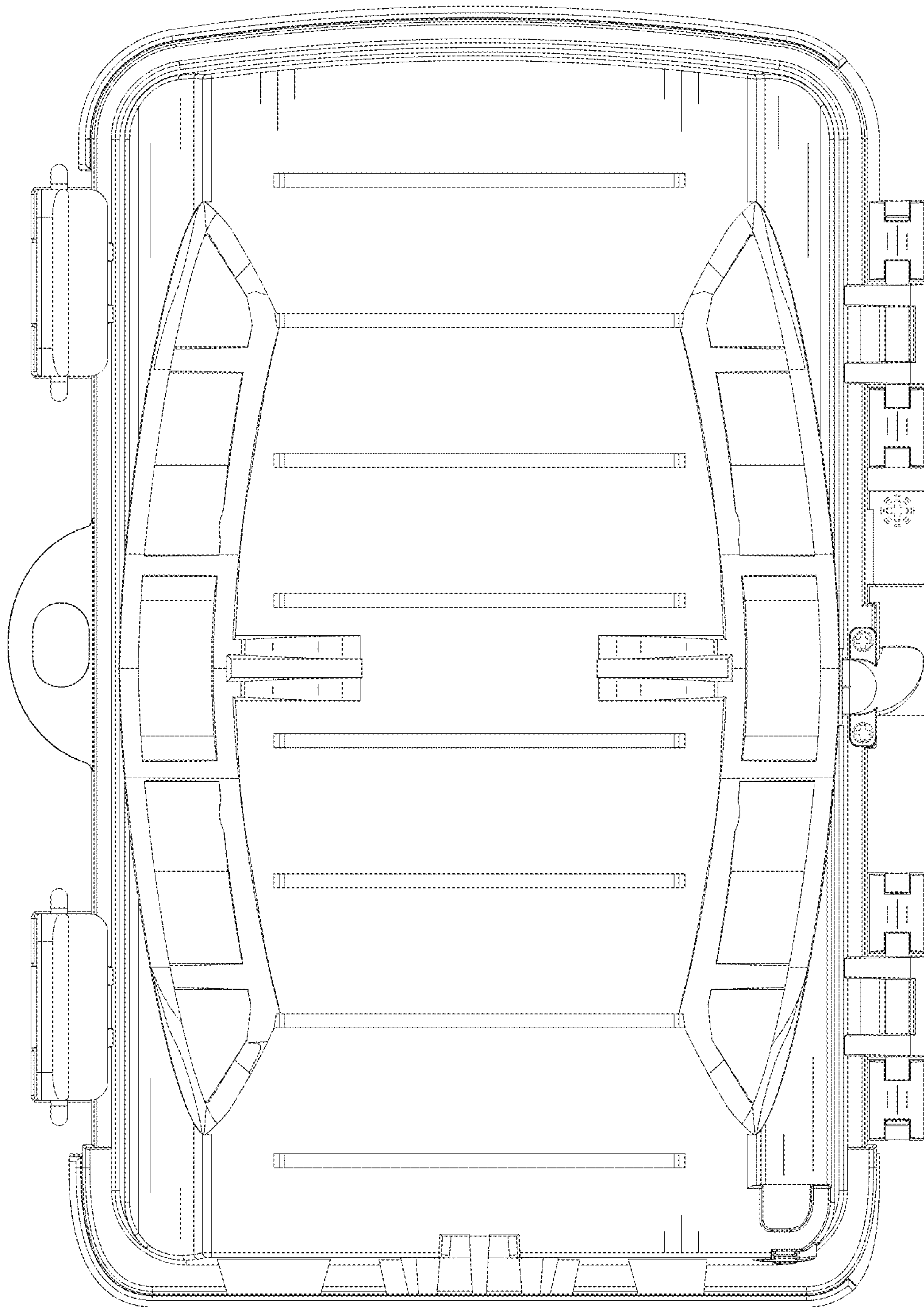


FIG. 3

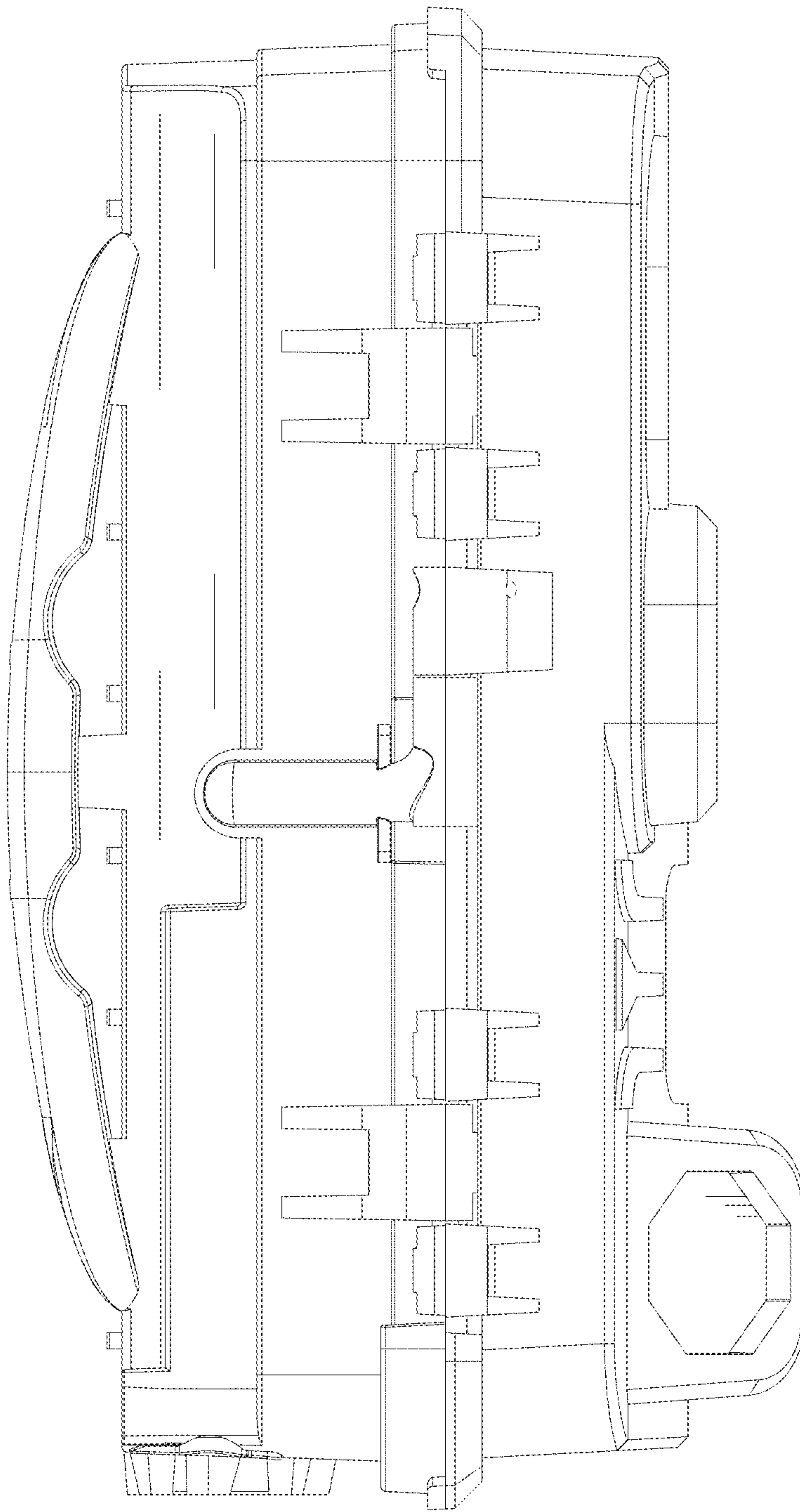


FIG. 4

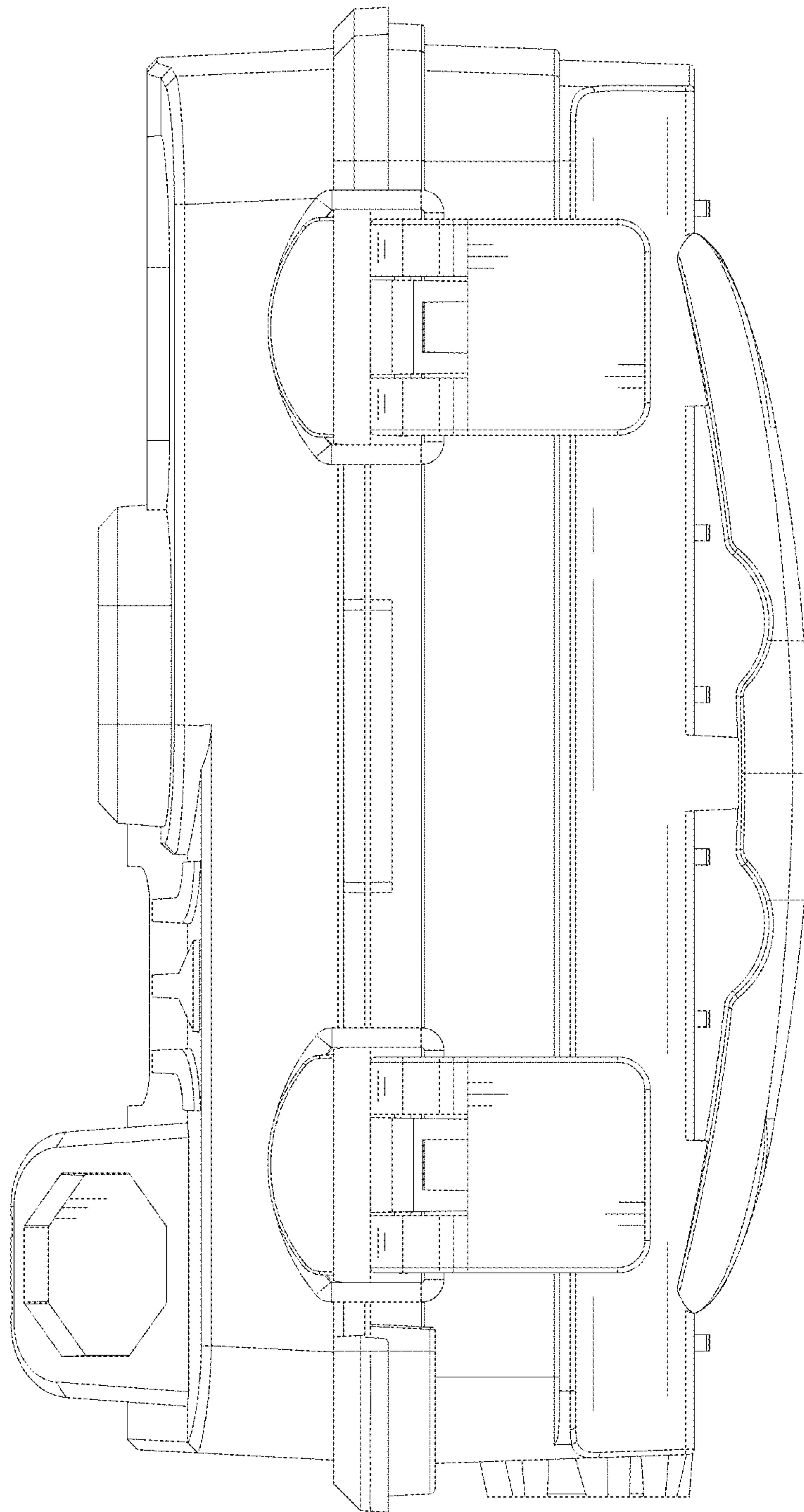


FIG. 5

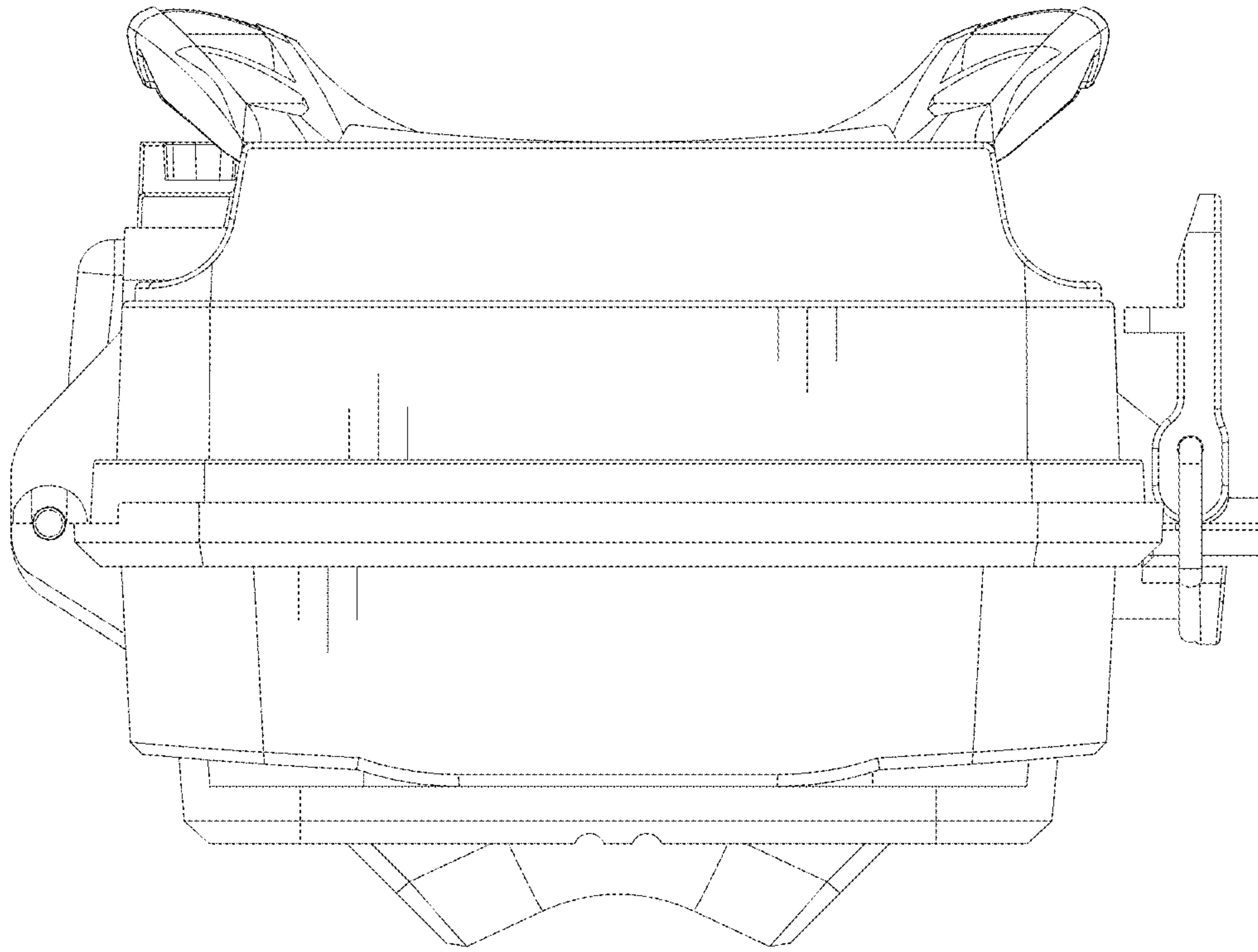


FIG. 6

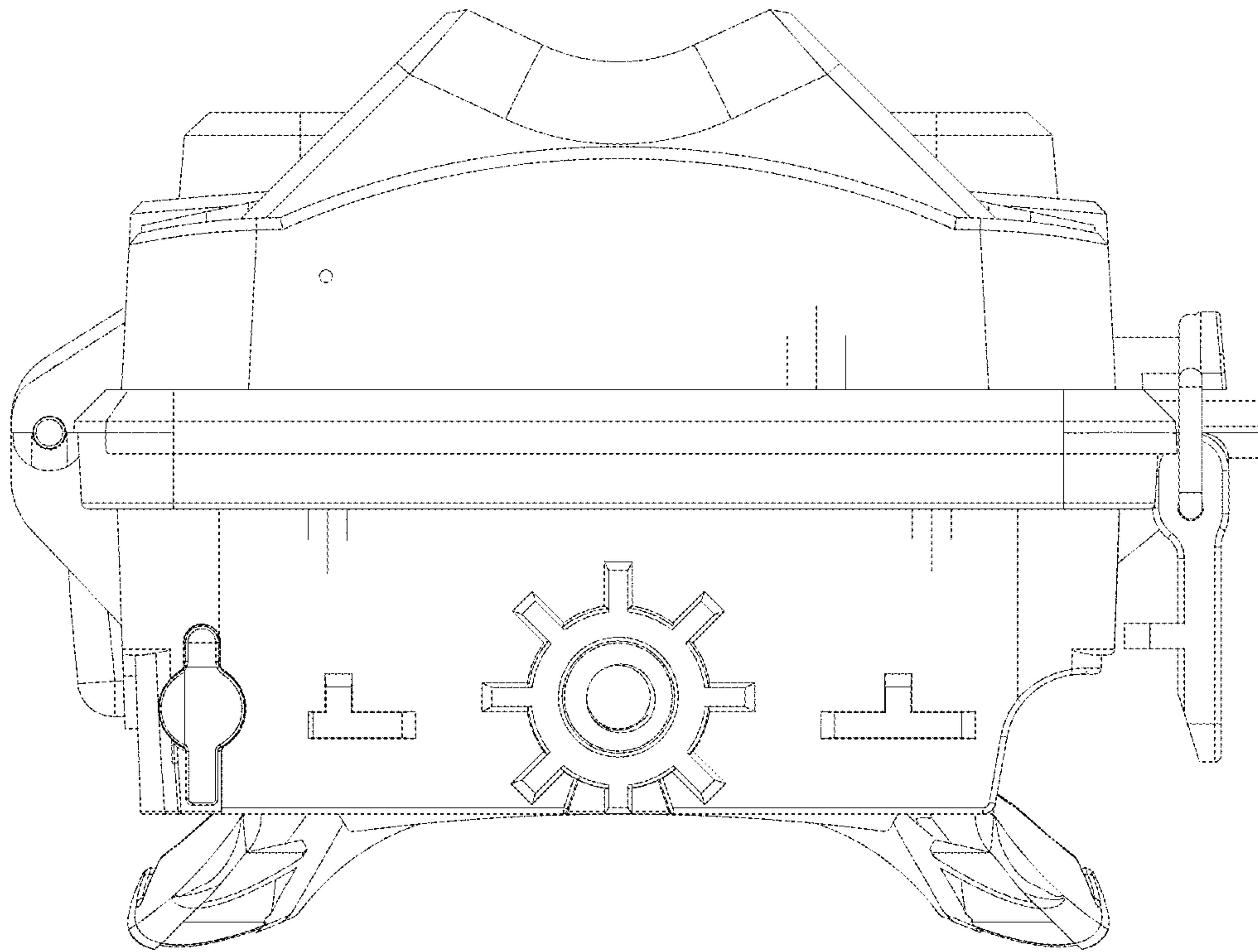


FIG. 7

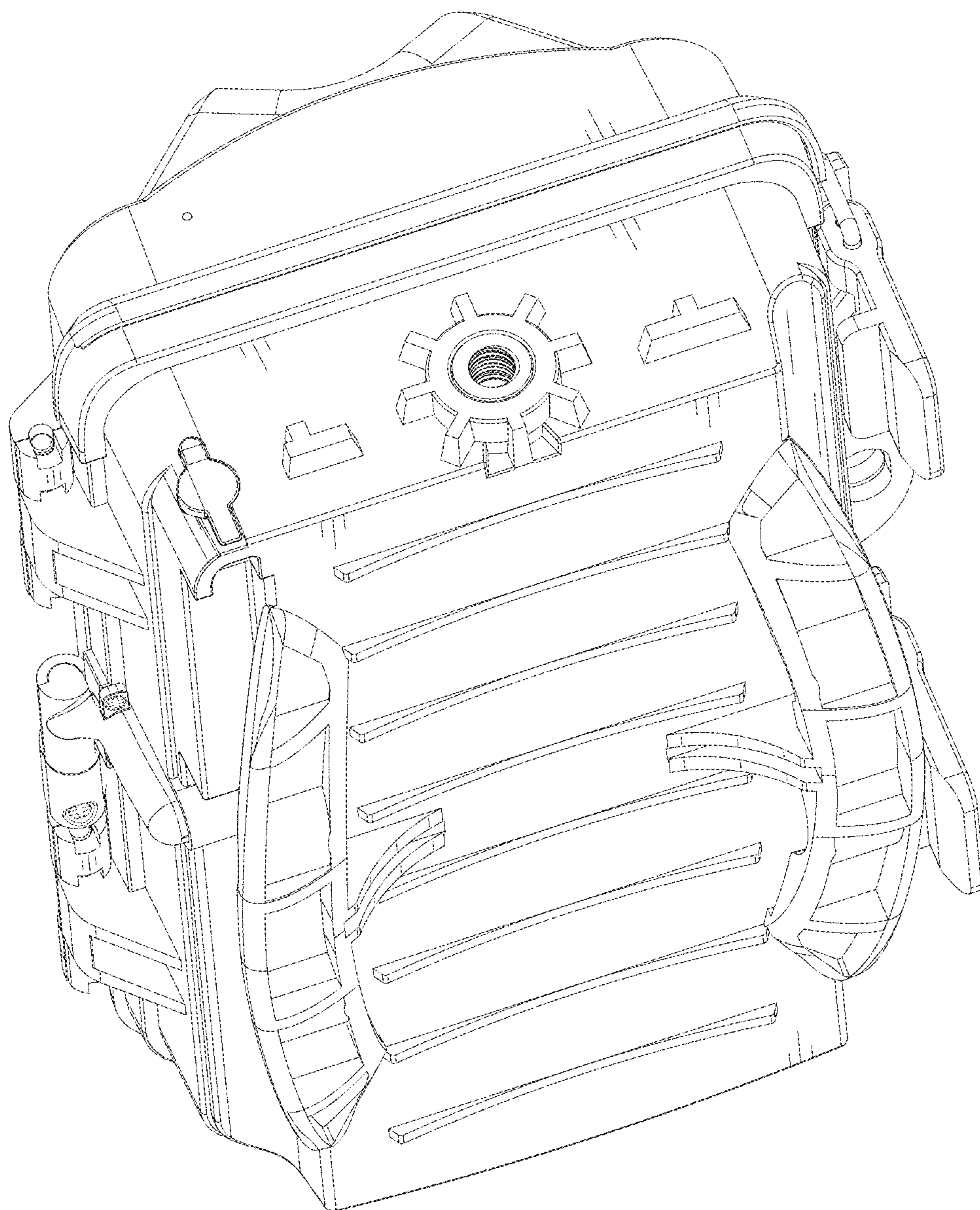


FIG. 8