



US00D960951S

(12) **United States Design Patent**  
**Chen**

(10) **Patent No.:** **US D960,951 S**

(45) **Date of Patent:** **\*\* Aug. 16, 2022**

(54) **CAMERA**

(71) Applicant: **Dongguan Aomeijia Electronic Co., Ltd.**, Dongguan (CN)

(72) Inventor: **Zhujun Chen**, Dongguan (CN)

(73) Assignee: **Dongguan Aomeijia Electronic Co., Ltd.**, Dongguan (CN)

(\*\*) Term: **15 Years**

(21) Appl. No.: **29/763,215**

(22) Filed: **Dec. 22, 2020**

(30) **Foreign Application Priority Data**

Dec. 10, 2020 (CN) ..... 202030760510.5

(51) **LOC (13) Cl.** ..... **16-01**

(52) **U.S. Cl.**  
USPC ..... **D16/200; D16/203**

(58) **Field of Classification Search**  
USPC ..... D16/200–203, 207–208, 218–219;  
D10/46, 60, 62, 65, 104.1, 106.6, 106.7,  
D10/109.1, 109.2, 121; D14/137;  
D21/517

CPC ..... G03B 17/00; G03B 17/02; G03B 17/08;  
G03B 2217/00; H04N 5/2251; H04N  
5/2252; H04N 5/22521; H04N 5/2258;  
H04N 5/23218

See application file for complete search history.

(56) **References Cited**

**U.S. PATENT DOCUMENTS**

D838,763 S	*	1/2019	Yu	.....	D16/218
D872,791 S	*	1/2020	Chen	.....	D16/218
D874,545 S	*	2/2020	Wang	.....	D16/218
D881,969 S	*	4/2020	Li	.....	D16/203
D883,361 S	*	5/2020	Ren	.....	D16/203
D928,215 S	*	8/2021	Jiang	.....	D16/203

**FOREIGN PATENT DOCUMENTS**

CN	305641164	*	3/2020
CN	306522474	*	5/2021

**OTHER PUBLICATIONS**

“Rexing—Woodlens H6 Trail Camera with Dual Lens Night Vision Recording—Green” from bestbuy.com, first retrieved May 13, 2022 from the internet <<https://www.bestbuy.com/site/rexing-woodlens-h6-trail-camera-with-dual-lens-night-vision-recording-green/6448417.p?skuId=6448417>> (Year: 2022).\*

“Rexing—H2 4K Wi-Fi Trail Camera with Ultra Night Vision for Hunting Games and Wildlife Monitoring—Green” from bestbuy.com, first retrieved May 13, 2022 from the internet <<https://www.bestbuy.com/site/rexing-h2-4k-wi-fi-trail-camera-with-ultra-night-vision-for-hunting-games-and-wildlife-monitoring-green/6404341.p?skuId=6404341>> (Year: 2022).\*

\* cited by examiner

*Primary Examiner* — Michelle E. Wilson

*Assistant Examiner* — Lacey Chey Bowman

(57) **CLAIM**

The ornamental design for a camera, as shown and described.

**DESCRIPTION**

FIG. 1 is a perspective view of a camera showing my new design;

FIG. 2 is a front elevational view thereof;

FIG. 3 is a rear elevational view thereof;

FIG. 4 is a left side elevational view thereof;

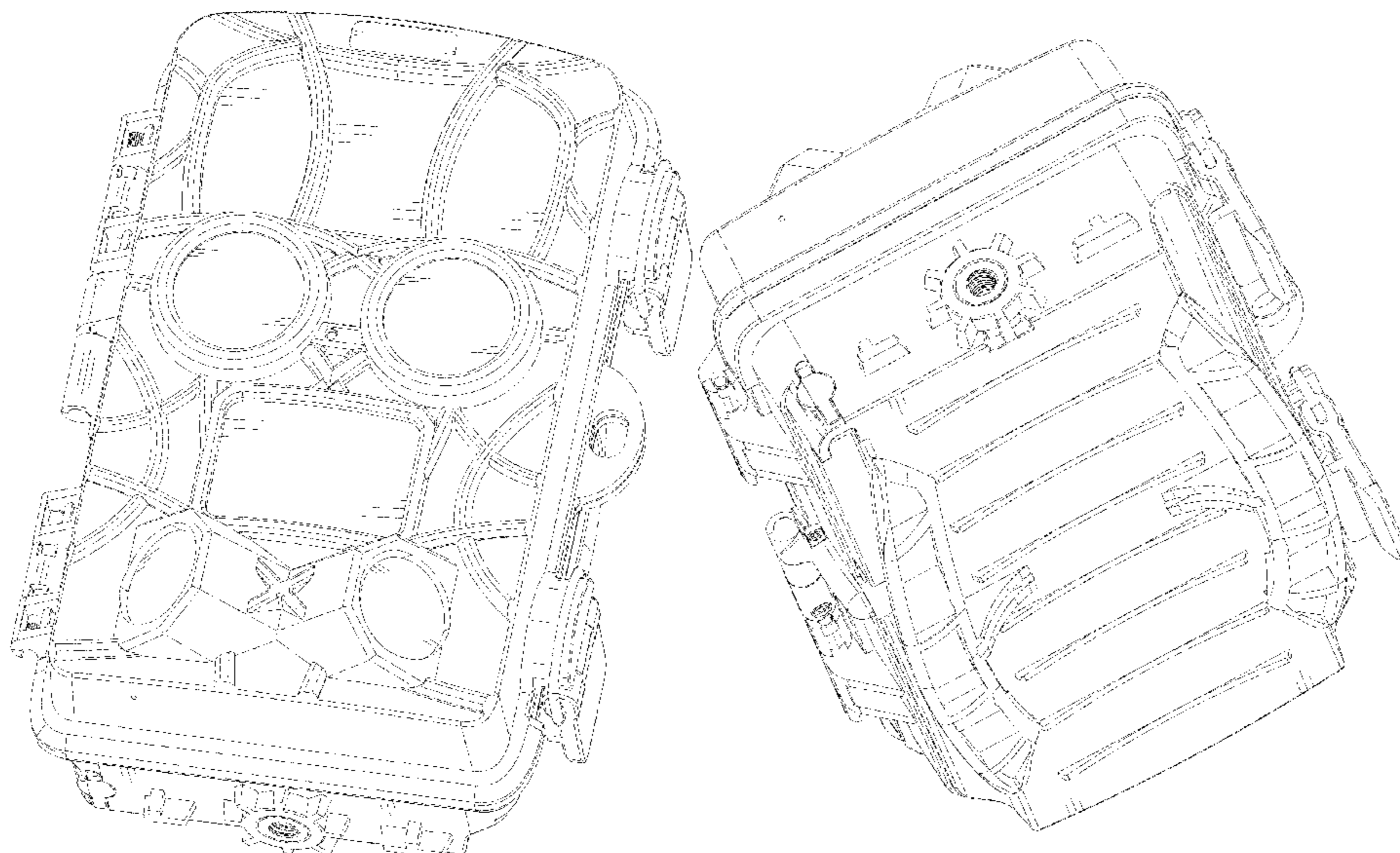
FIG. 5 is a right side elevational view thereof;

FIG. 6 is a top plan view thereof;

FIG. 7 is a bottom plan view thereof; and,

FIG. 8 is another perspective view of the camera shown in FIG. 1.

**1 Claim, 8 Drawing Sheets**



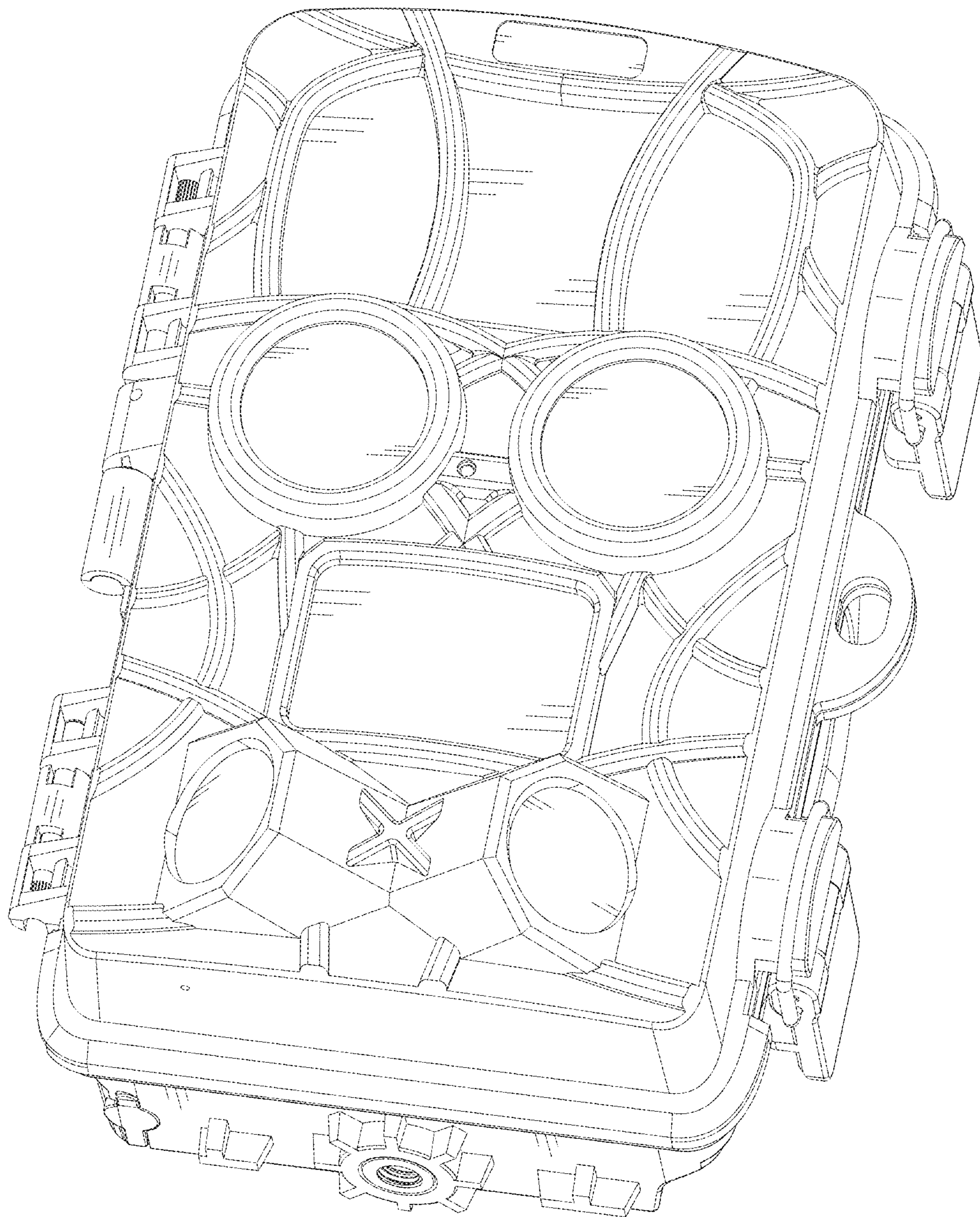


FIG. 1



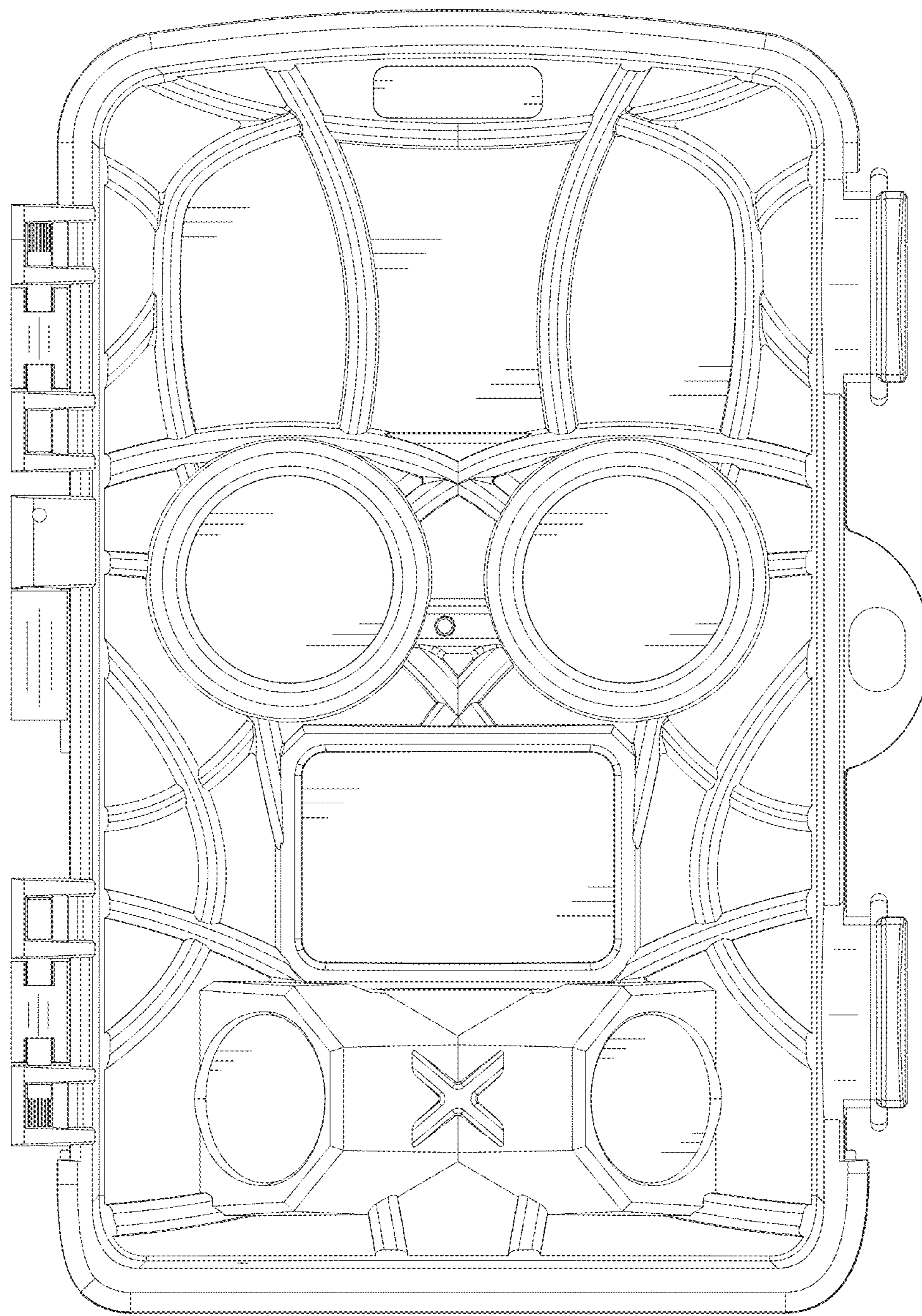


FIG. 2

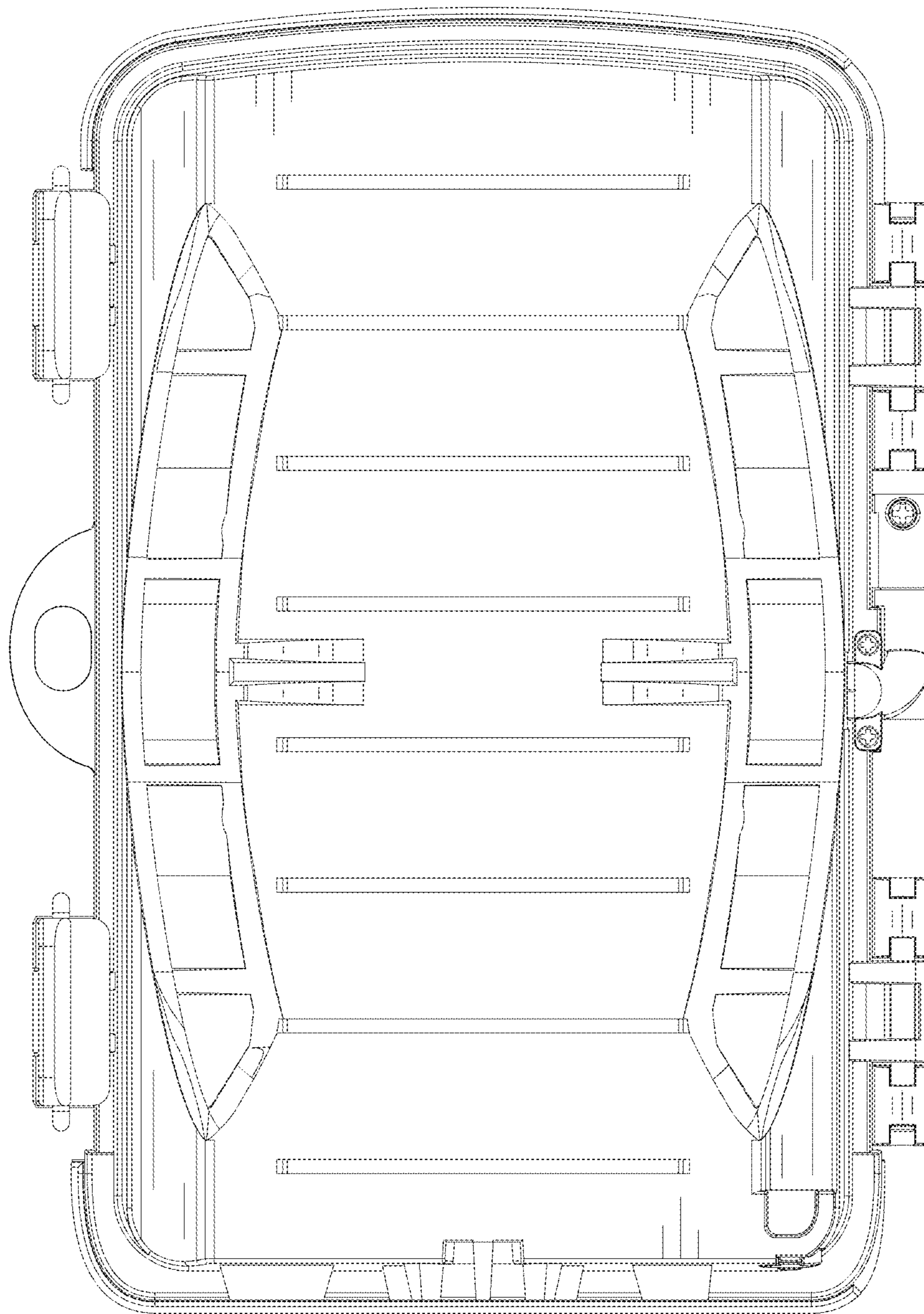


FIG. 3

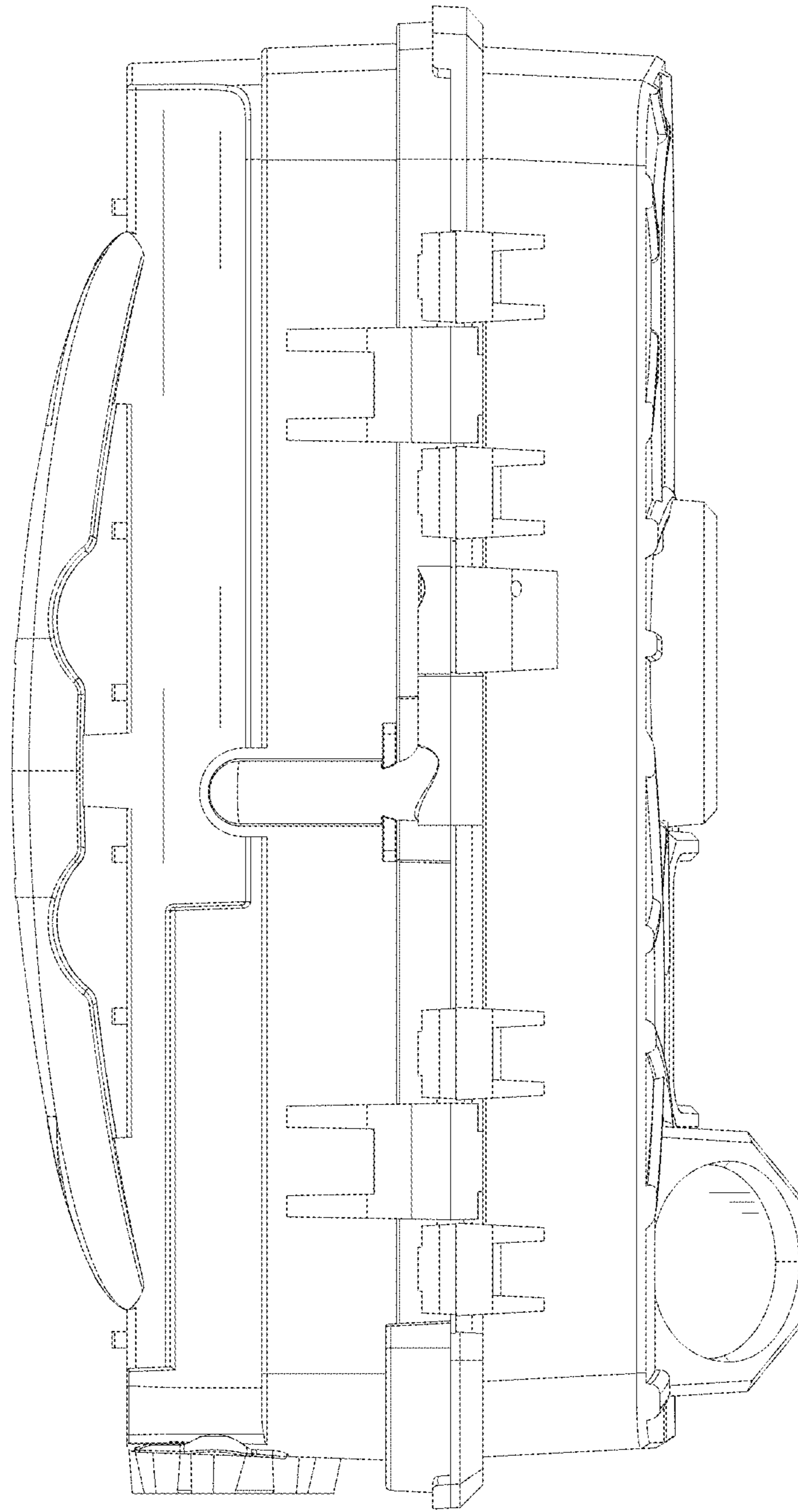


FIG. 4



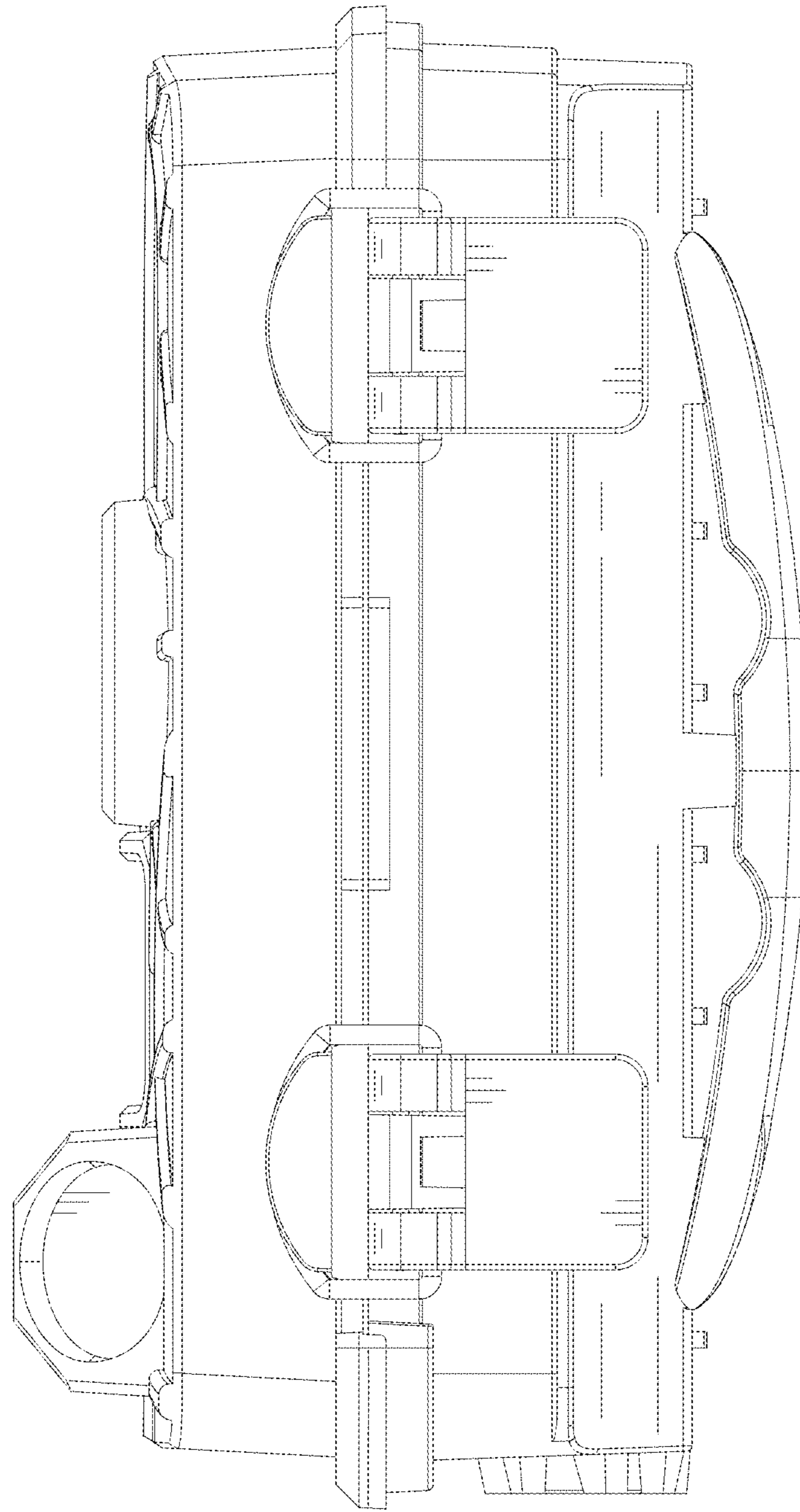


FIG. 5

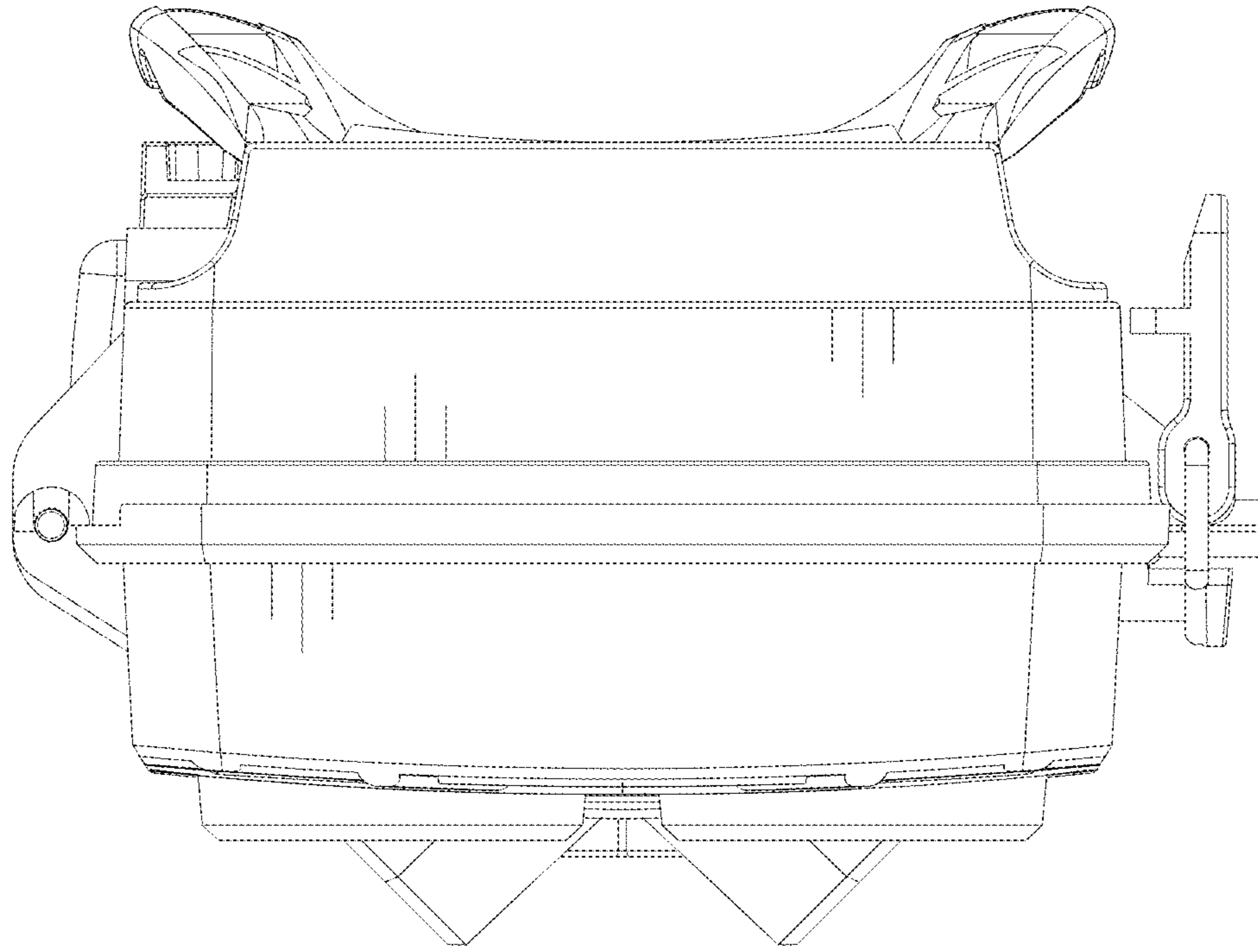


FIG. 6

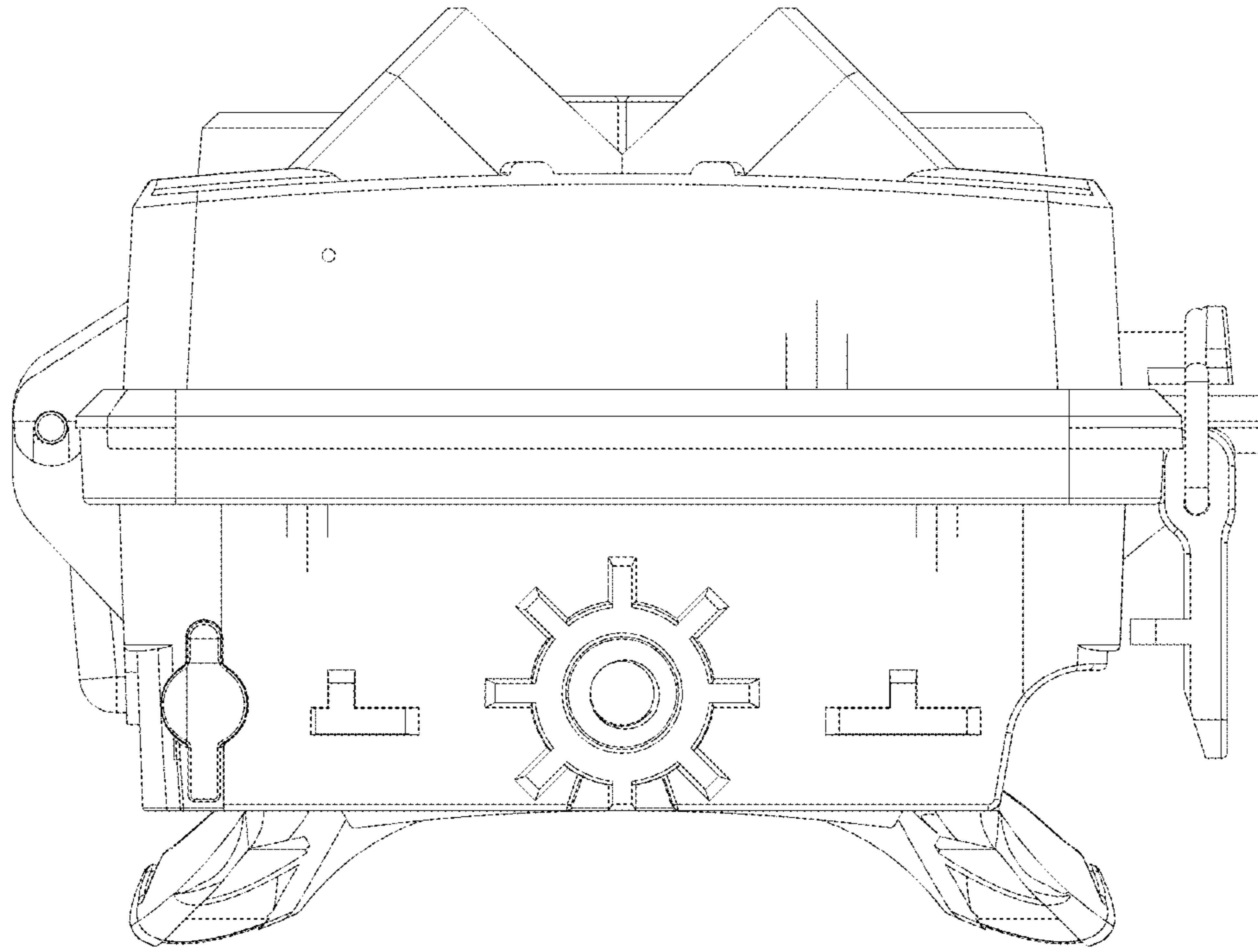


FIG. 7



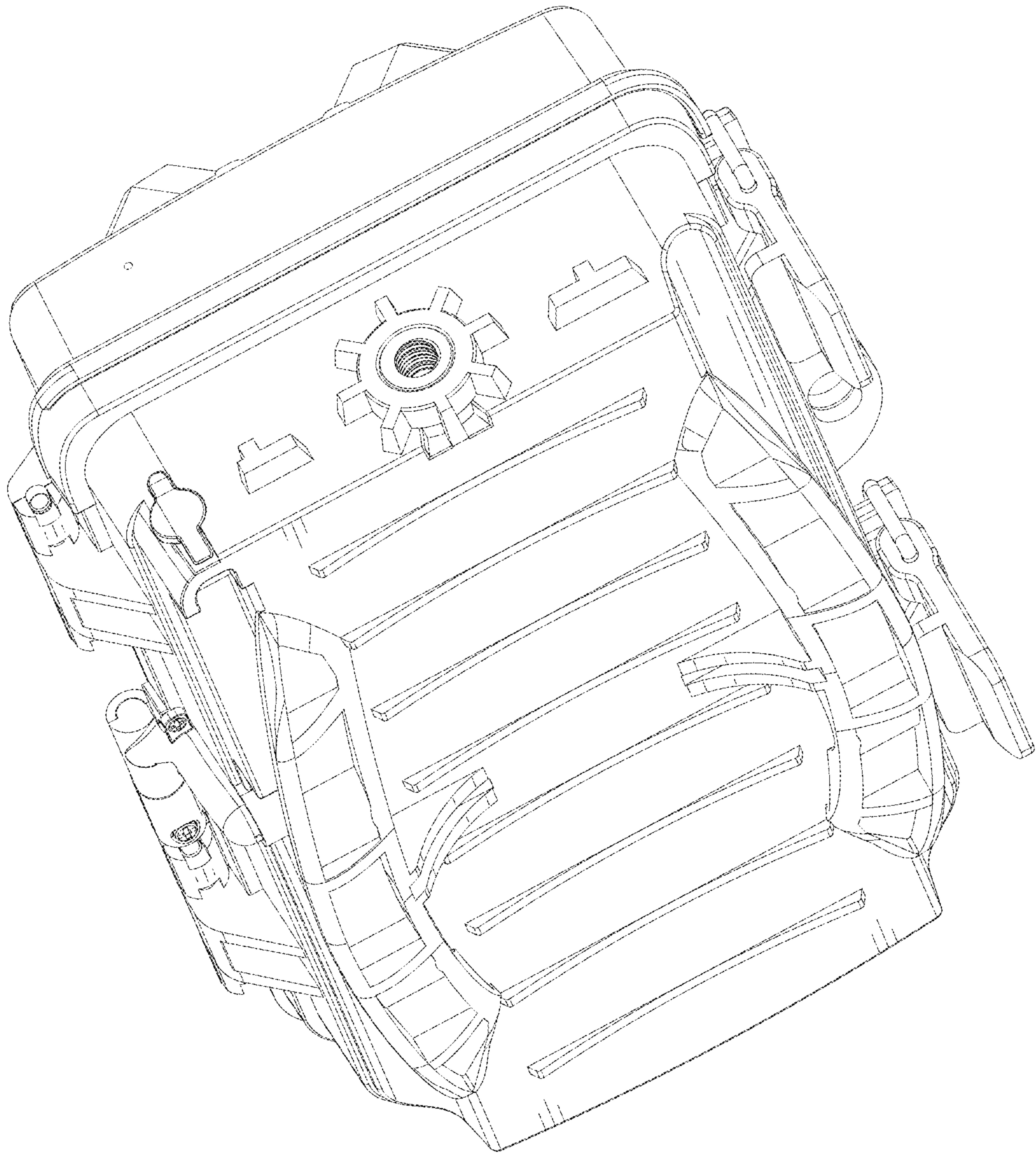


FIG. 8