

US00D960950S

(12) **United States Design Patent**
Dunten et al.

(10) **Patent No.:** **US D960,950 S**

(45) **Date of Patent:** **** Aug. 16, 2022**

(54) **MOBILE ROBOT**

(71) Applicant: **OMRON CORPORATION**, Kyoto
(JP)

(72) Inventors: **Seth Dunten**, Castro Valley, CA (US);
Brian Gulassa, Berkeley, CA (US);
Andis Lange, Livermore, CA (US);
Thomas Krizner, Emeryville, CA (US)

(73) Assignee: **OMRON CORPORATION**, Kyoto
(JP)

(**) Term: **15 Years**

(21) Appl. No.: **29/729,974**

(22) Filed: **Mar. 31, 2020**

(51) **LOC (13) Cl.** **15-99**

(52) **U.S. Cl.**
USPC **D15/199**

(58) **Field of Classification Search**
USPC D12/1; D15/199; D32/21; D34/12, 24,
D34/28, 34
CPC B25J 5/007; B25J 9/1694; G05D 1/027;
G05D 1/0011; G05D 1/0231; G05D
1/0242; G05D 2201/0216; Y10S 901/01;
Y10S 901/46; Y10S 901/49

See application file for complete search history.

(56) **References Cited**

U.S. PATENT DOCUMENTS

D717,208 S *	11/2014	Stone	D12/1
D722,631 S *	2/2015	Stone	D12/1
D810,799 S *	2/2018	Sokuza	D15/199
D812,663 S *	3/2018	Waters	D15/199
D856,389 S *	8/2019	Gayne	D15/199
D865,021 S *	10/2019	Hu	D15/199
D871,475 S *	12/2019	Kolb	D15/199
D871,476 S *	12/2019	Kolb	D15/199
D871,477 S *	12/2019	Kolb	D15/199

D871,478 S *	12/2019	Wang	D15/199
D873,173 S *	1/2020	Brucker	D12/1
D873,174 S *	1/2020	Sokuza	D12/1
D879,851 S *	3/2020	Li	D15/199
D879,852 S *	3/2020	Chen	D15/199
D880,550 S *	4/2020	Sokuza	D15/199
D886,173 S *	6/2020	Sokuza	D15/199
D886,174 S *	6/2020	Blomgren	D15/199
D887,468 S *	6/2020	Hirvesaar	D15/199
D890,239 S *	7/2020	Srivastava	D15/199
D893,570 S *	8/2020	Zheng	D15/199
10,752,157 B1 *	8/2020	Zeller	B65G 67/24
D896,858 S *	9/2020	Kapuria	D15/199
D898,790 S *	10/2020	Sokuza	D15/199
D899,475 S *	10/2020	Xiao	D15/199
D902,272 S *	11/2020	Cascajar Ordóñez	D15/199

(Continued)

FOREIGN PATENT DOCUMENTS

WO WO-2021076519 A1 * 4/2021 B60K 7/0007

Primary Examiner — Patricia A Palasik

(74) *Attorney, Agent, or Firm* — Knobbe Martens Olson
& Bear LLP

(57) **CLAIM**

The ornamental design for a mobile robot, as shown and described.

DESCRIPTION

FIG. 1 is a first perspective view of a mobile robot embodying the new design.

FIG. 2 is a second perspective view thereof.

FIG. 3 is a front view thereof.

FIG. 4 is a back view thereof.

FIG. 5 is a right side elevational view thereof.

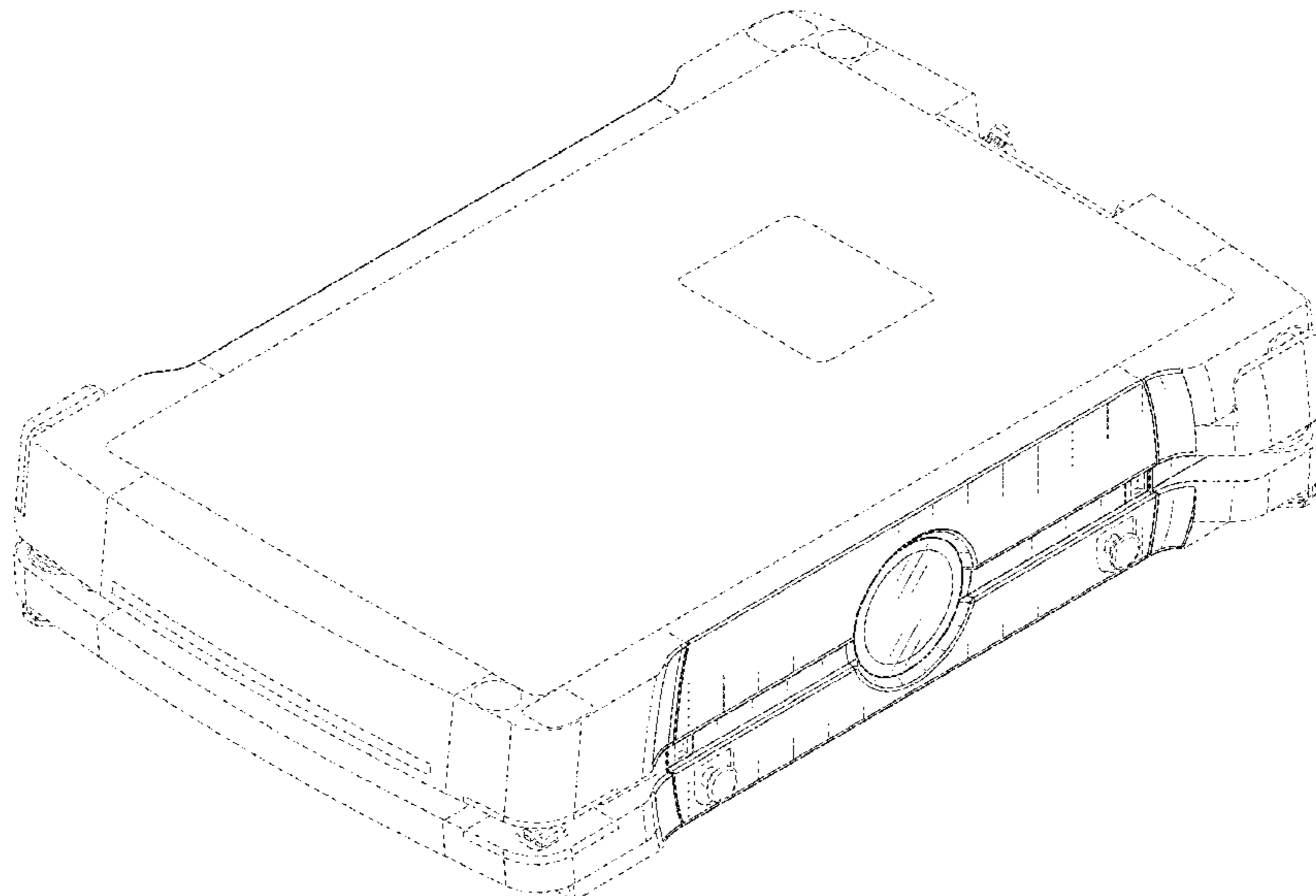
FIG. 6 is a left side elevational view thereof.

FIG. 7 is a top plan view thereof; and,

FIG. 8 is a bottom plan view thereof.

Broken lines are used to illustrate features of the mobile robot that form no part of the claimed design.

1 Claim, 6 Drawing Sheets



(56)

References Cited

U.S. PATENT DOCUMENTS

D902,277 S * 11/2020 Sakaguchi D15/199
D906,390 S * 12/2020 Kapuria D15/199
D907,084 S * 1/2021 Kapuria D15/199
D907,677 S * 1/2021 Mork D15/199
D907,678 S * 1/2021 Cai D15/199
D911,406 S * 2/2021 Srivastava D15/199
D912,119 S * 3/2021 Rembisz D15/199
D914,075 S * 3/2021 Sokuza D15/199
D917,590 S * 4/2021 Li D15/199
D924,291 S * 7/2021 Bangalore Srinivas D15/199
D924,955 S * 7/2021 Hoshino D15/199
D929,478 S * 8/2021 Mork D15/199
2007/0185617 A1 * 8/2007 Kim G05D 1/0244
700/245
2009/0035181 A1 * 2/2009 Chung G01N 35/04
422/68.1
2020/0206962 A1 * 7/2020 Sohmshtetty B25J 19/005

* cited by examiner

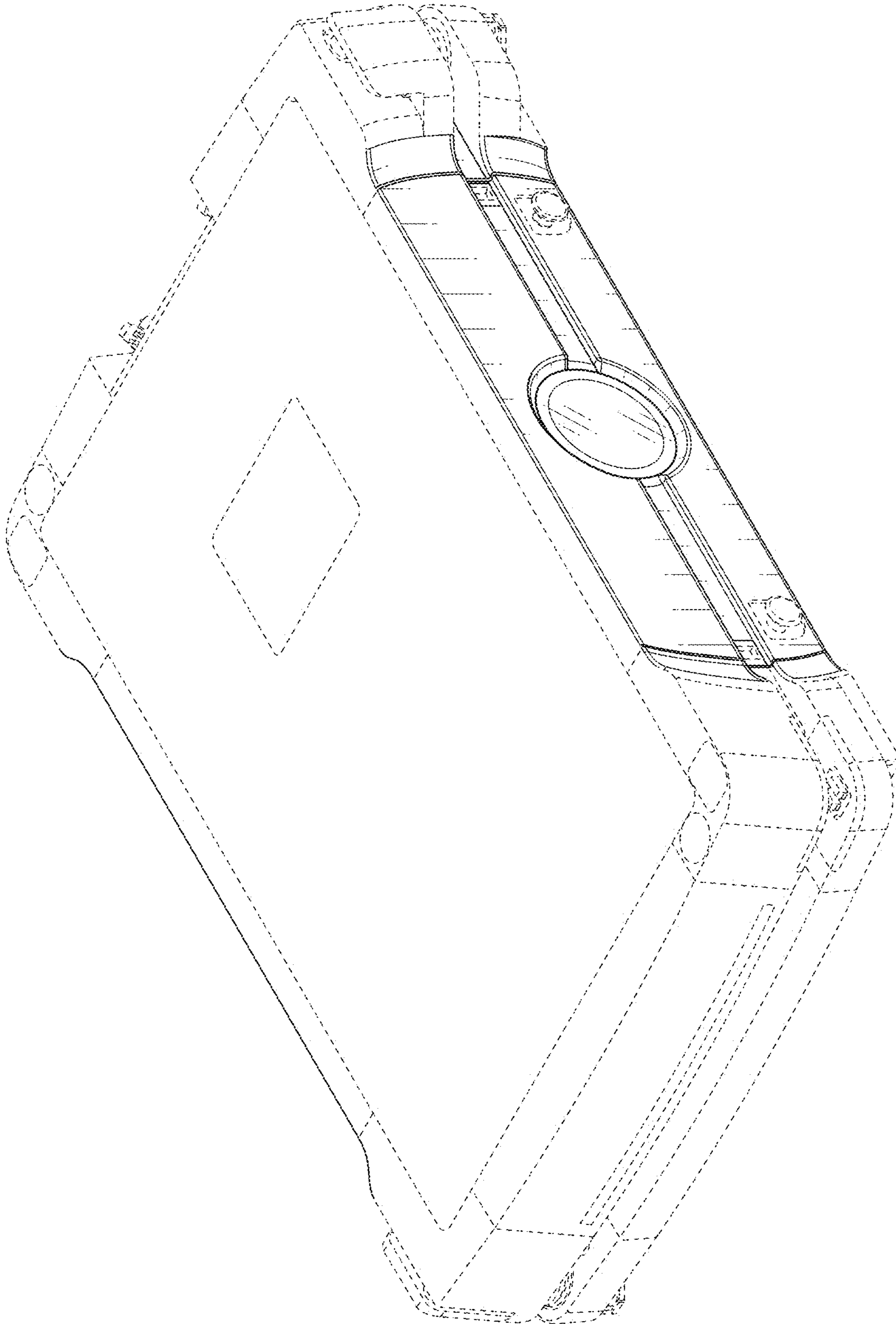


FIG. 1

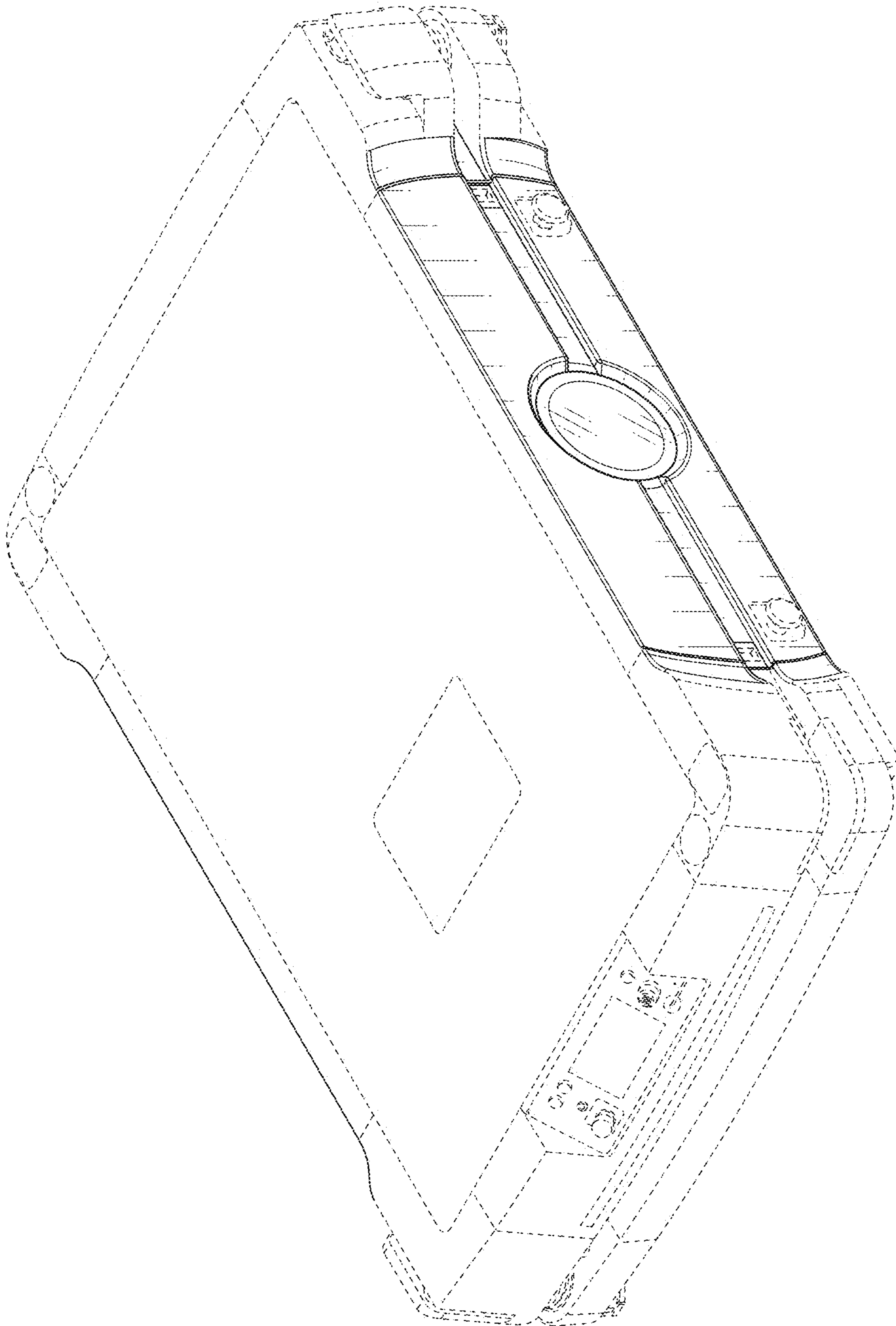


FIG. 2

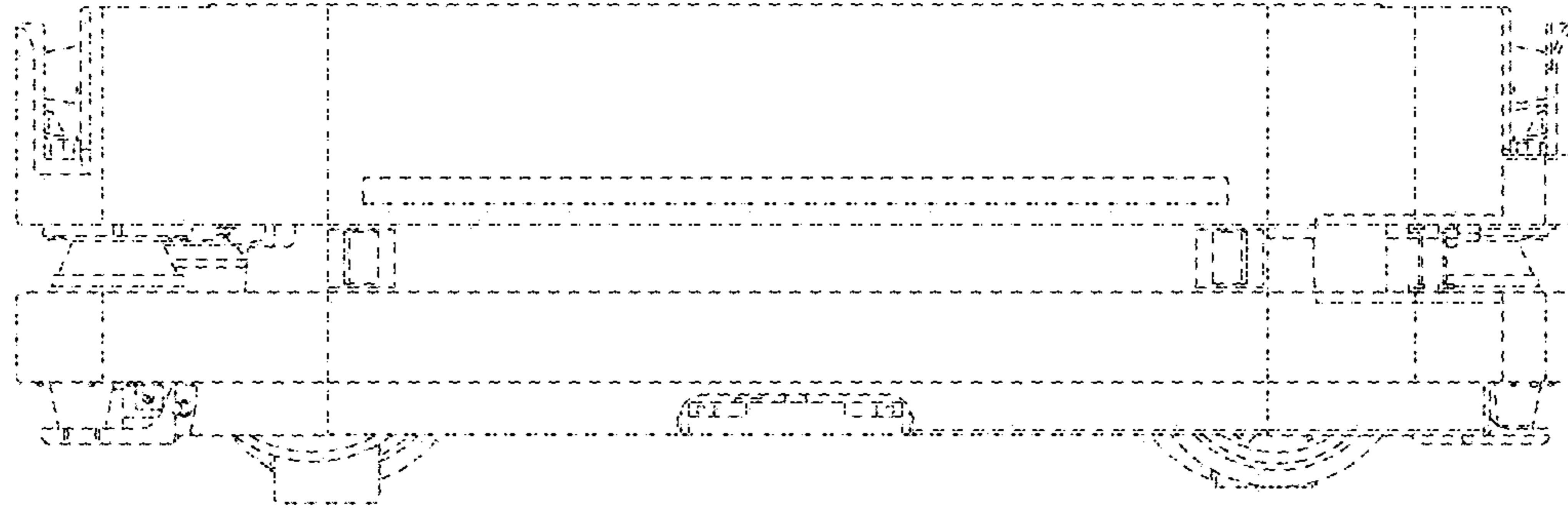


FIG. 3

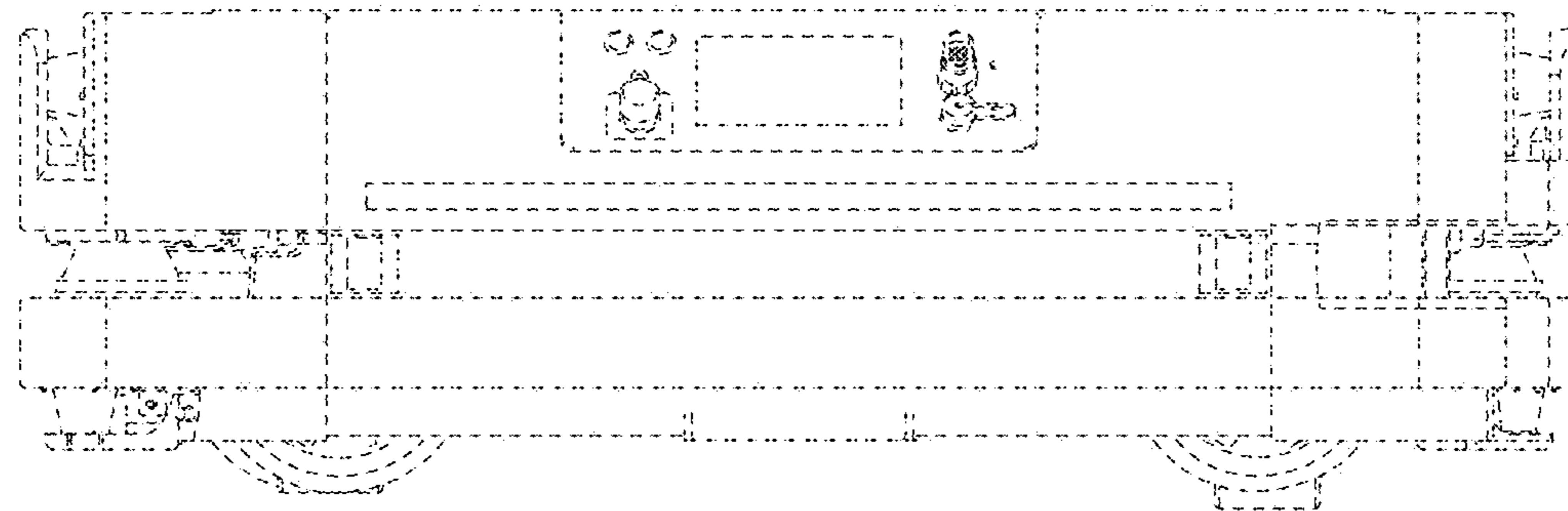


FIG. 4

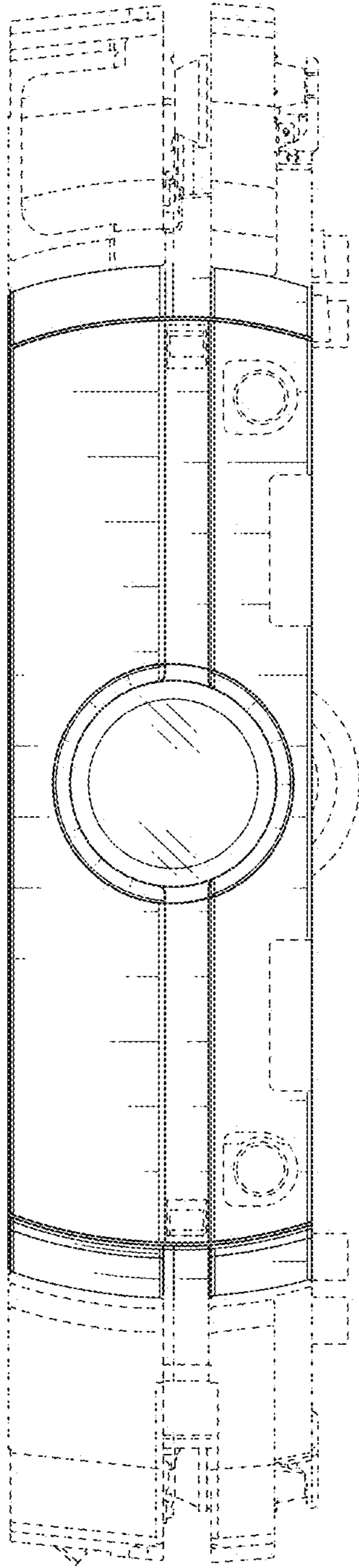


FIG. 5

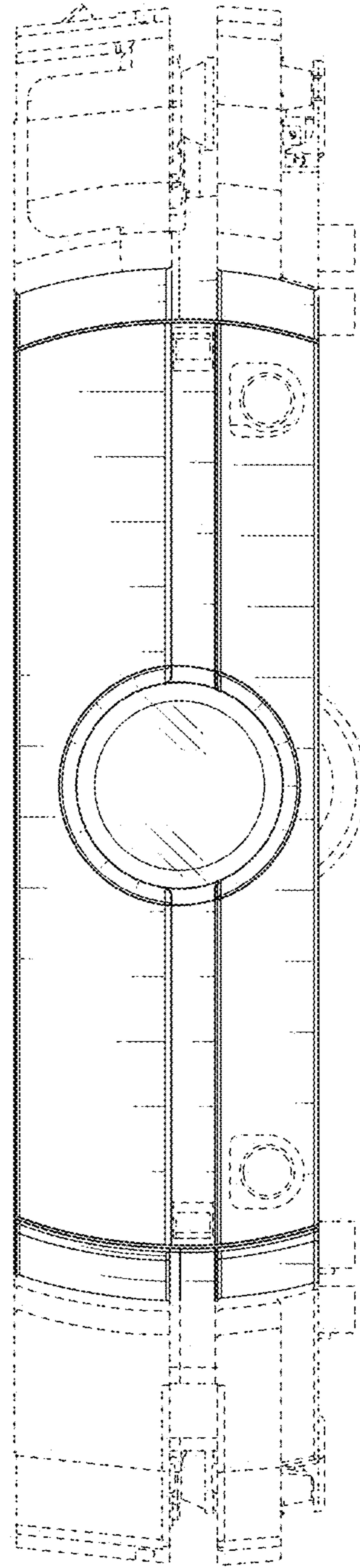


FIG. 6

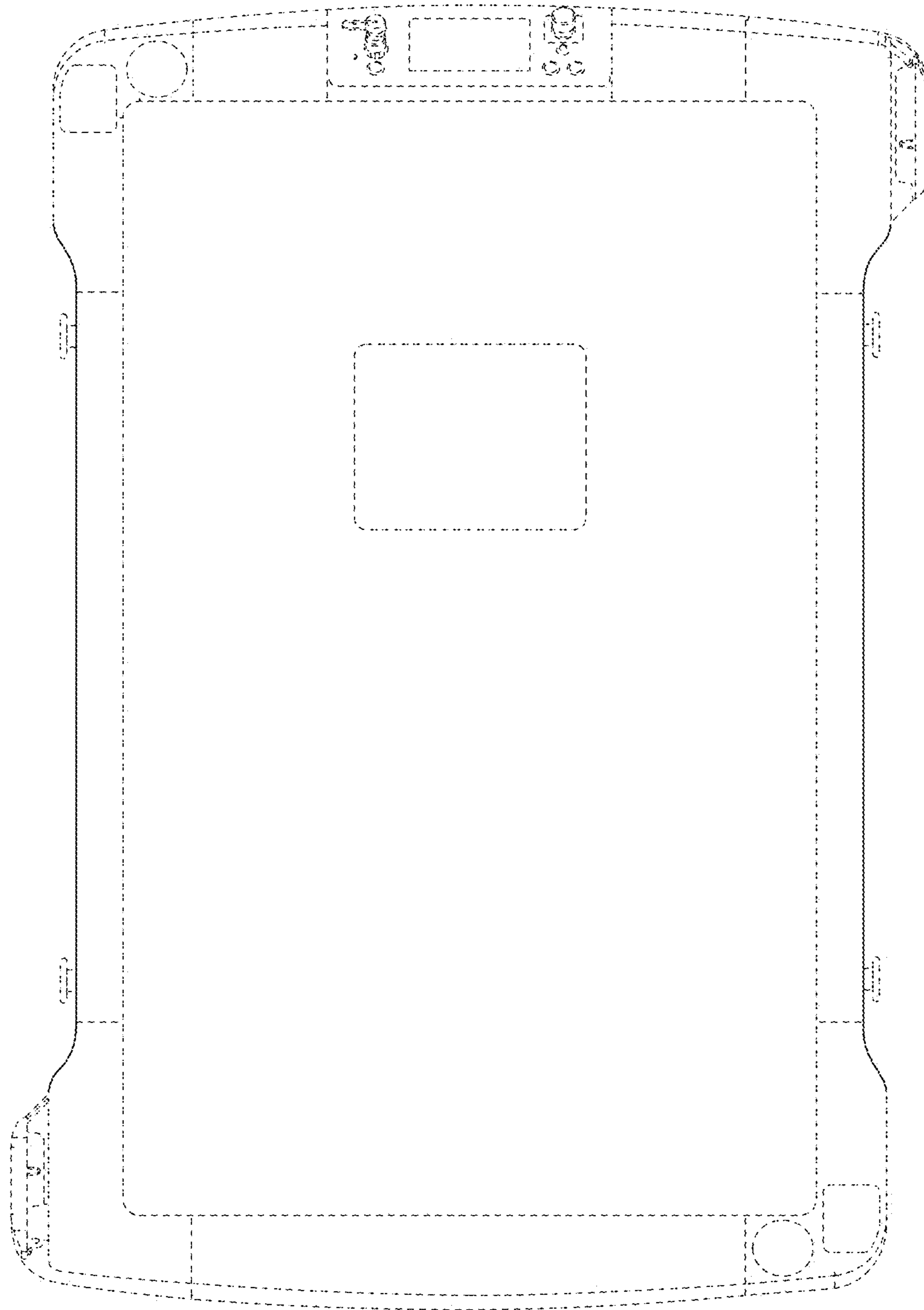


FIG. 7

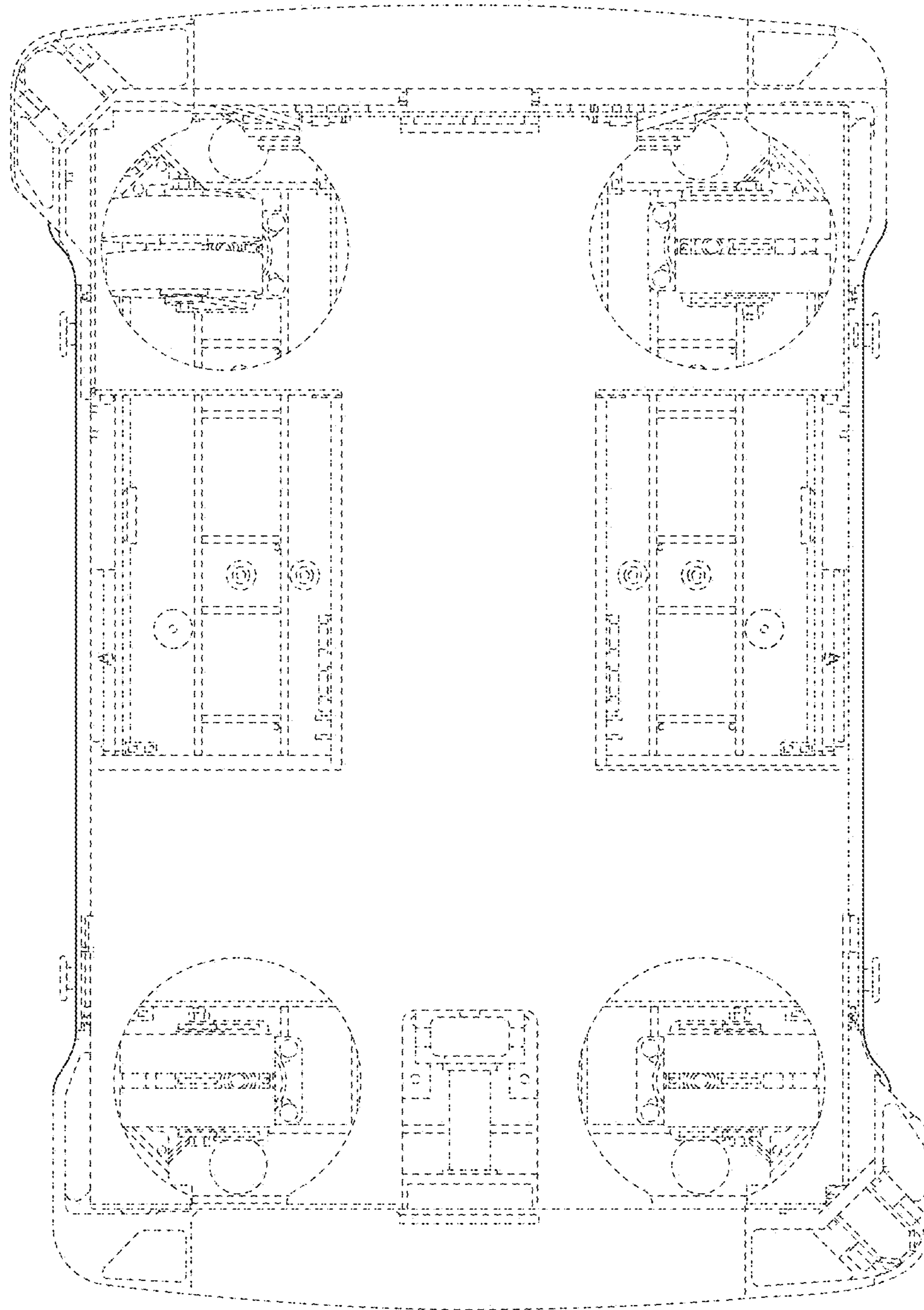


FIG. 8