



US00D960949S

(12) **United States Design Patent**
Gray et al.

(10) **Patent No.:** **US D960,949 S**

(45) **Date of Patent:** **** Aug. 16, 2022**

- (54) **VACUUM SEALER**
- (71) Applicant: **Aktiebolaget Electrolux**, Stockholm (SE)
- (72) Inventors: **Anna-Karin Gray**, Stockholm (SE);
Paolo Biscontin, Stockholm (SE)
- (73) Assignee: **Aktiebolaget Electrolux**, Stockholm (SE)

4,561,925 A * 12/1985 Skerjanec B29C 66/861
156/379.6
D301,238 S * 5/1989 Makihara D15/146
4,941,310 A * 7/1990 Kristen B65B 31/046
53/512
D354,966 S * 1/1995 Lim D15/145
D510,369 S * 10/2005 Presta D15/146
7,003,928 B2 * 2/2006 Patterson B65B 31/06
53/405
7,124,557 B2 * 10/2006 Small B65B 31/046
53/510
D536,355 S * 2/2007 Levsen D15/146

(**) Term: **15 Years**

(21) Appl. No.: **29/820,556**

(22) Filed: **Dec. 22, 2021**

Related U.S. Application Data

(63) Continuation of application No. 29/754,177, filed on Oct. 7, 2020.

(30) **Foreign Application Priority Data**

Aug. 14, 2020 (EM) 008111447

(51) **LOC (13) Cl.** **15-10**

(52) **U.S. Cl.**
USPC **D15/146**

(58) **Field of Classification Search**
USPC D15/145, 146; D18/50
CPC B23C 63/0065; B23C 63/0091; B23C
63/1018; B65B 31/046; B65B 31/047;
B65B 31/048; B65B 51/10
See application file for complete search history.

(56) **References Cited**

U.S. PATENT DOCUMENTS

D215,568 S * 10/1969 Kellogg D15/146
D249,526 S * 9/1978 Kishida D15/146
4,156,382 A * 5/1979 Baker B29C 66/861
156/510

Primary Examiner — Patricia A Palasik

(74) *Attorney, Agent, or Firm* — Banner & Witcoff, Ltd.

(57) **CLAIM**

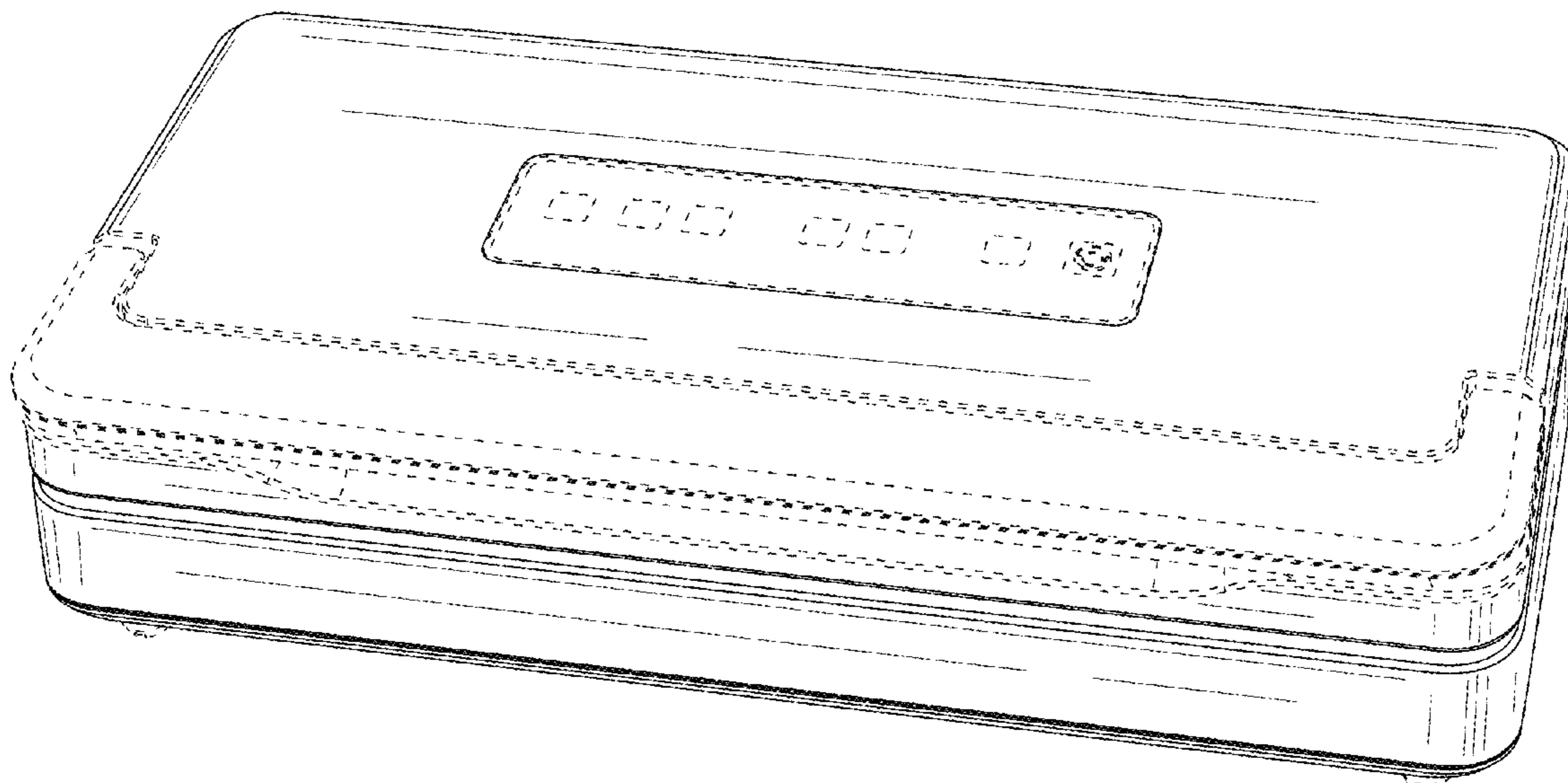
The ornamental design for a vacuum sealer, as shown and described.

DESCRIPTION

FIG. 1 is a front perspective view of a vacuum sealer showing our new design;
FIG. 2 is a top view thereof;
FIG. 3 is a front view thereof;
FIG. 4 is a right side view thereof;
FIG. 5 is a left side view thereof;
FIG. 6 is a rear view thereof;
FIG. 7 is a bottom view thereof;
FIG. 8 is a front perspective view of the vacuum sealer with the lever shown in an alternative position;
FIG. 9 is a top view thereof;
FIG. 10 is a front view thereof;
FIG. 11 is a right side view thereof;
FIG. 12 is a left side view thereof;
FIG. 13 is a rear view thereof; and,
FIG. 14 is a bottom view thereof.

The broken lines showing the remainder of the vacuum sealer form no part of the claimed design.

1 Claim, 14 Drawing Sheets



(56)

References Cited

U.S. PATENT DOCUMENTS

7,204,067	B2 *	4/2007	Baptista	B65B 51/146 53/434
7,207,160	B2 *	4/2007	Baptista	B65B 31/046 53/405
7,392,641	B2 *	7/2008	Abate	B65B 31/046 53/374.9
7,540,127	B2 *	6/2009	Sung	B65B 31/046 53/434
D618,716	S *	6/2010	Huang	D15/146
D633,118	S *	2/2011	Beatty	D15/146
D663,331	S *	7/2012	Day	D15/146
D682,328	S *	5/2013	Day	D15/146
D682,329	S *	5/2013	Day	D15/146
D686,649	S *	7/2013	Zhou	D15/146
D694,794	S *	12/2013	Cumming	D15/146
D763,334	S *	8/2016	Yoshitomi	D15/146
D854,065	S *	7/2019	Owens	D15/146
D866,624	S *	11/2019	Choi	D15/146
D871,470	S *	12/2019	Xu	D15/146
D910,100	S *	2/2021	Qiu	D15/146
D910,726	S *	2/2021	Sun	D15/146
D912,710	S *	3/2021	Choi	D15/146
D936,717	S *	11/2021	Chen	D15/146
2005/0022480	A1 *	2/2005	Brakes	B65B 31/00 53/512

* cited by examiner

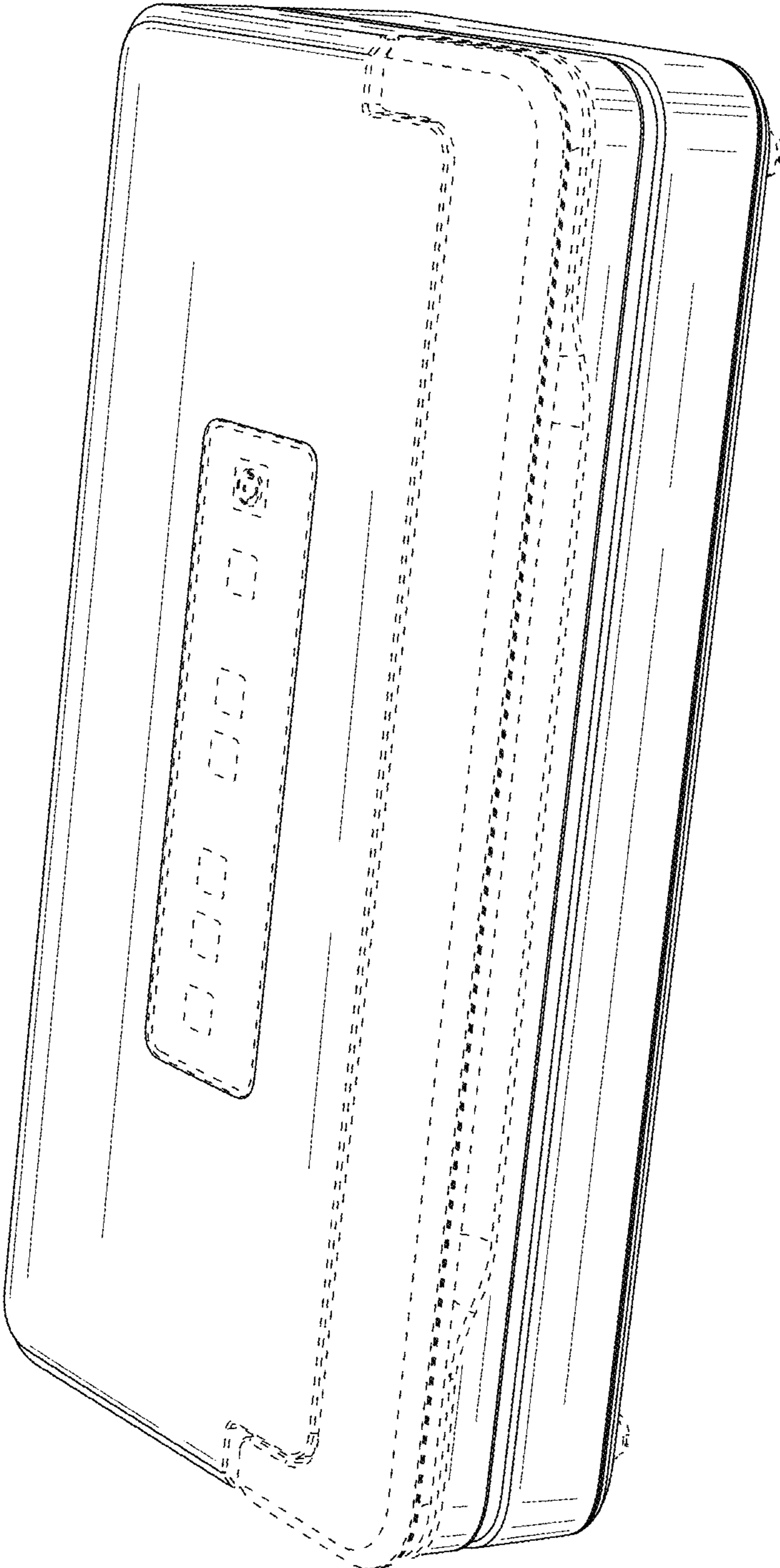


FIG. 1

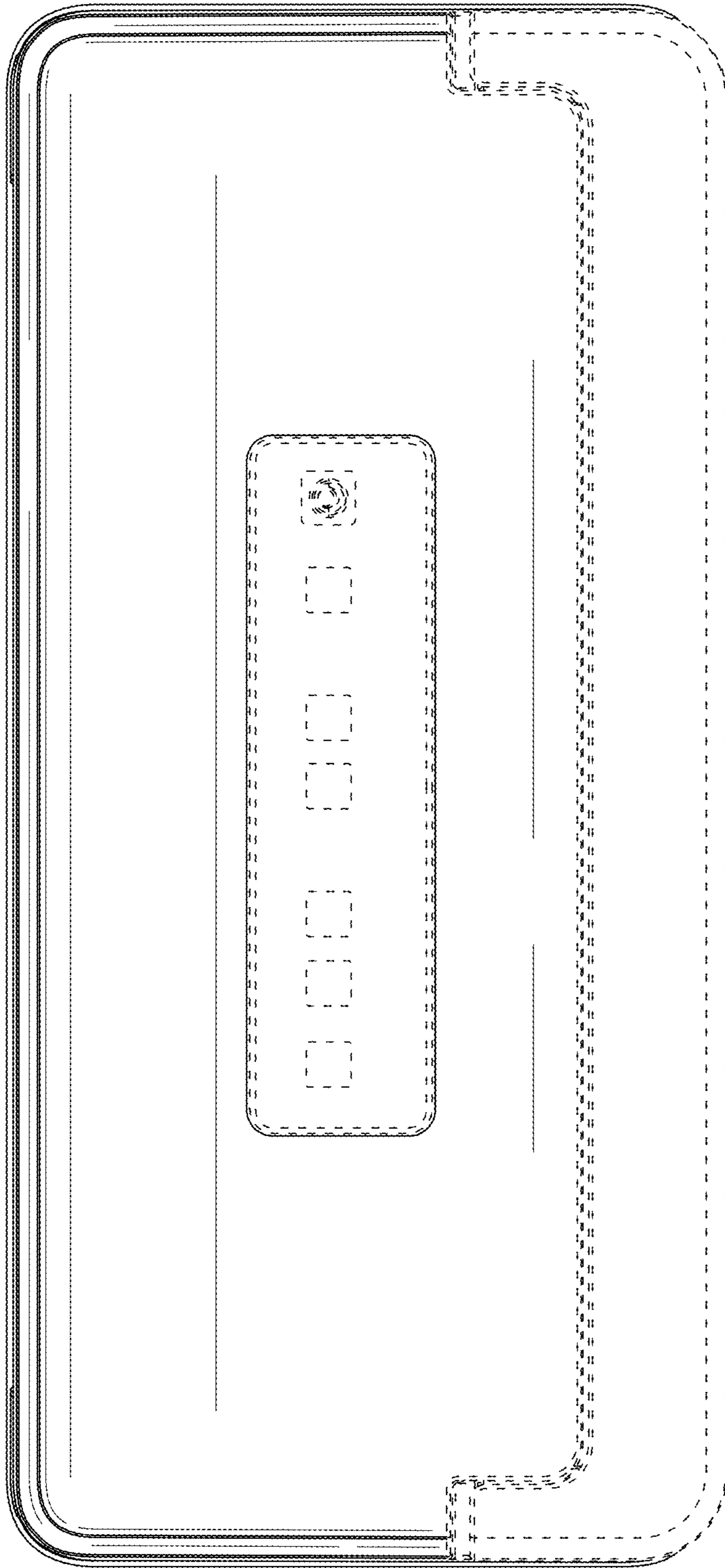


FIG. 2

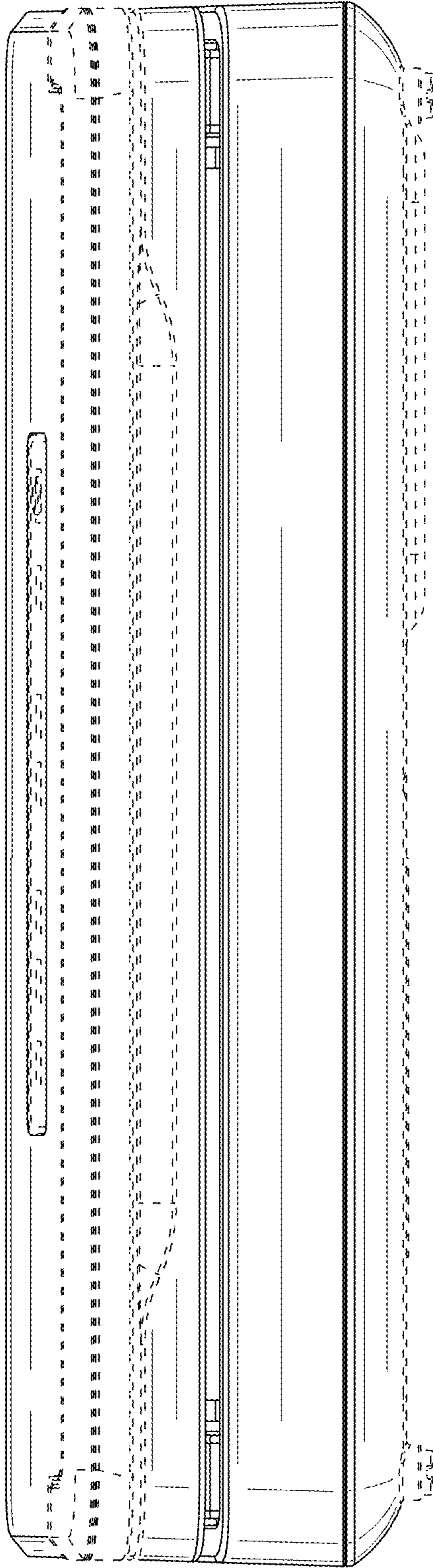


FIG. 3

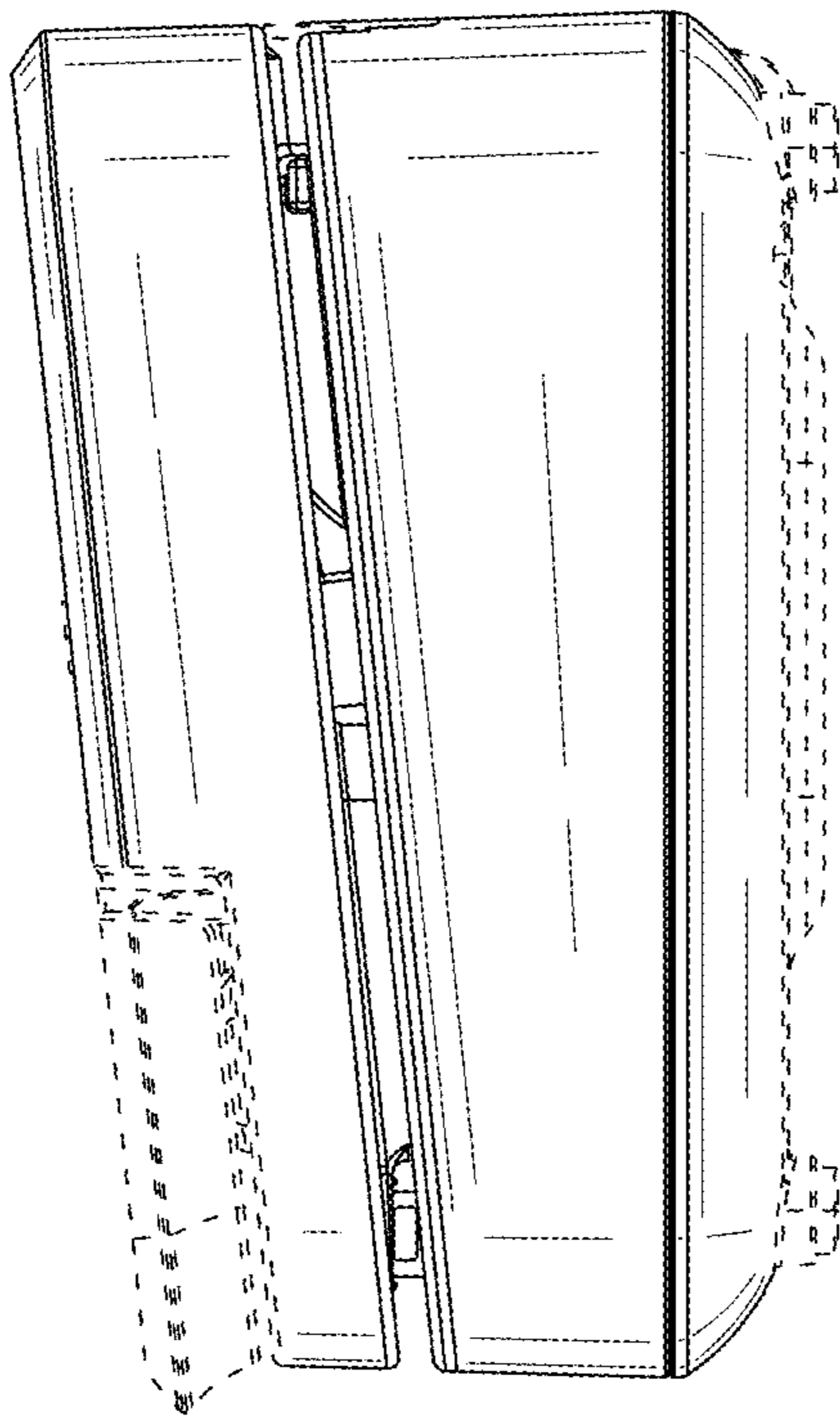


FIG. 4

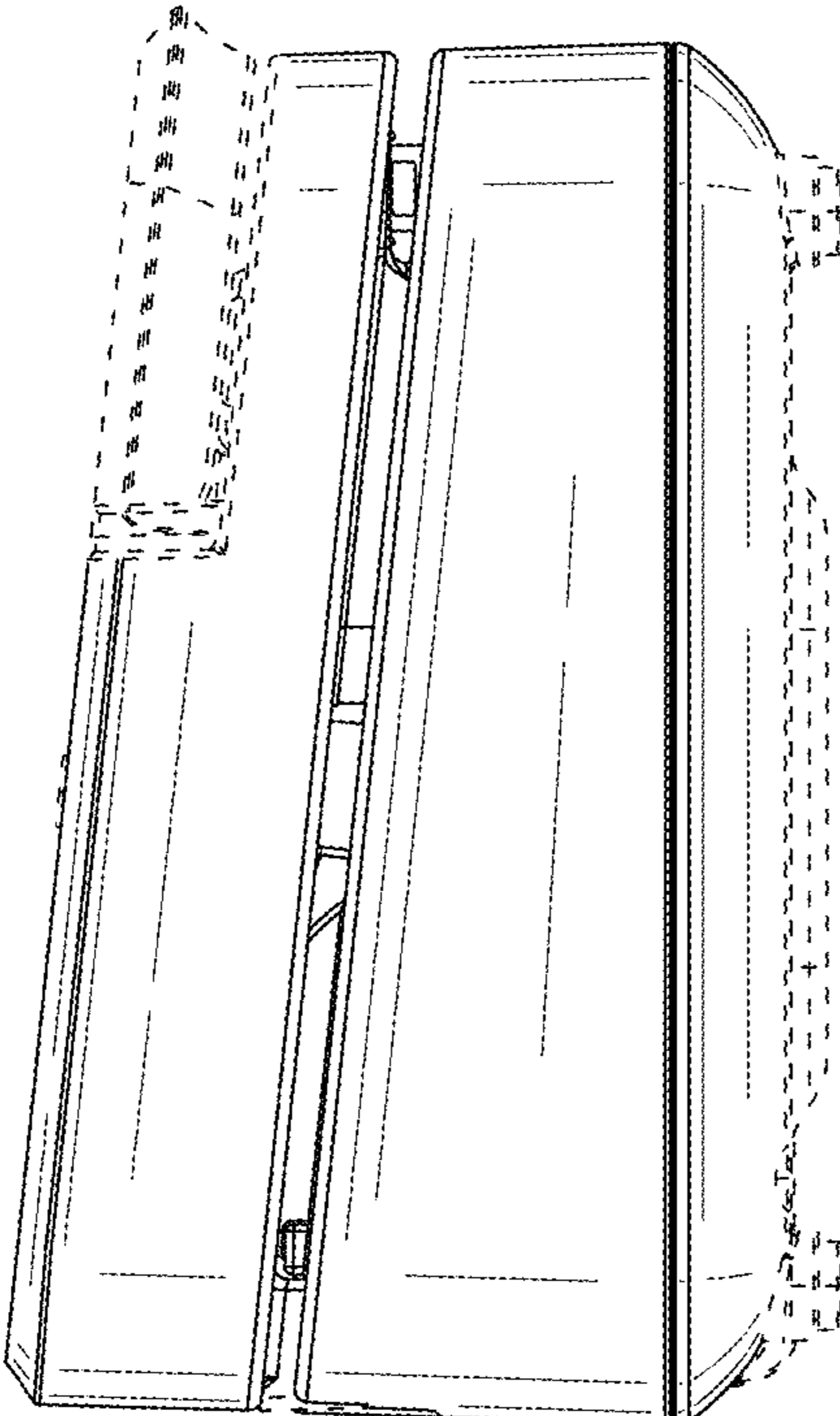


FIG. 5

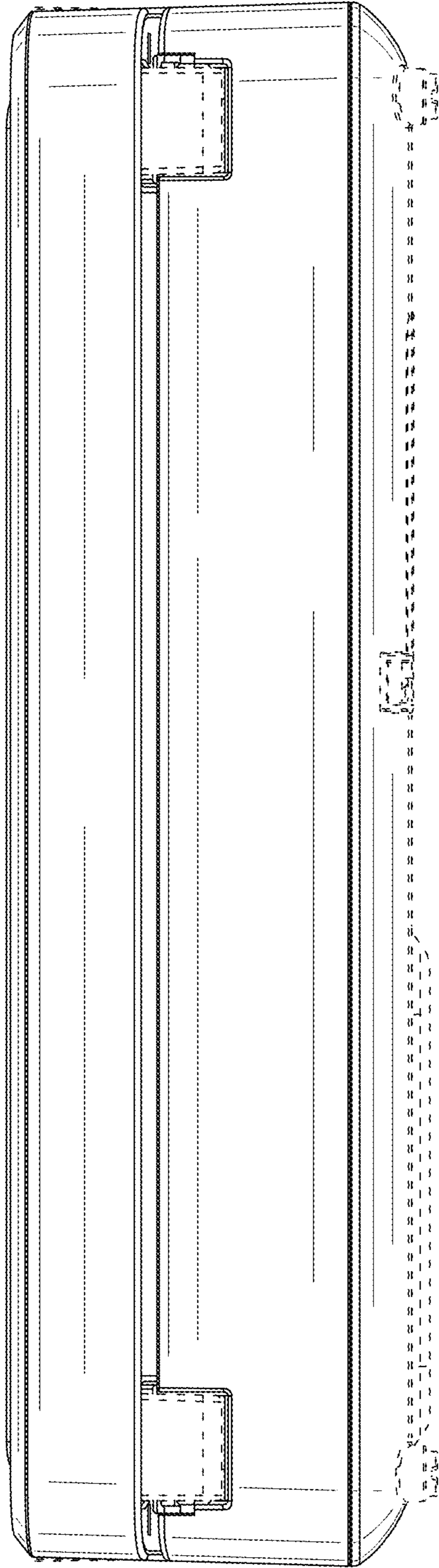


FIG. 6

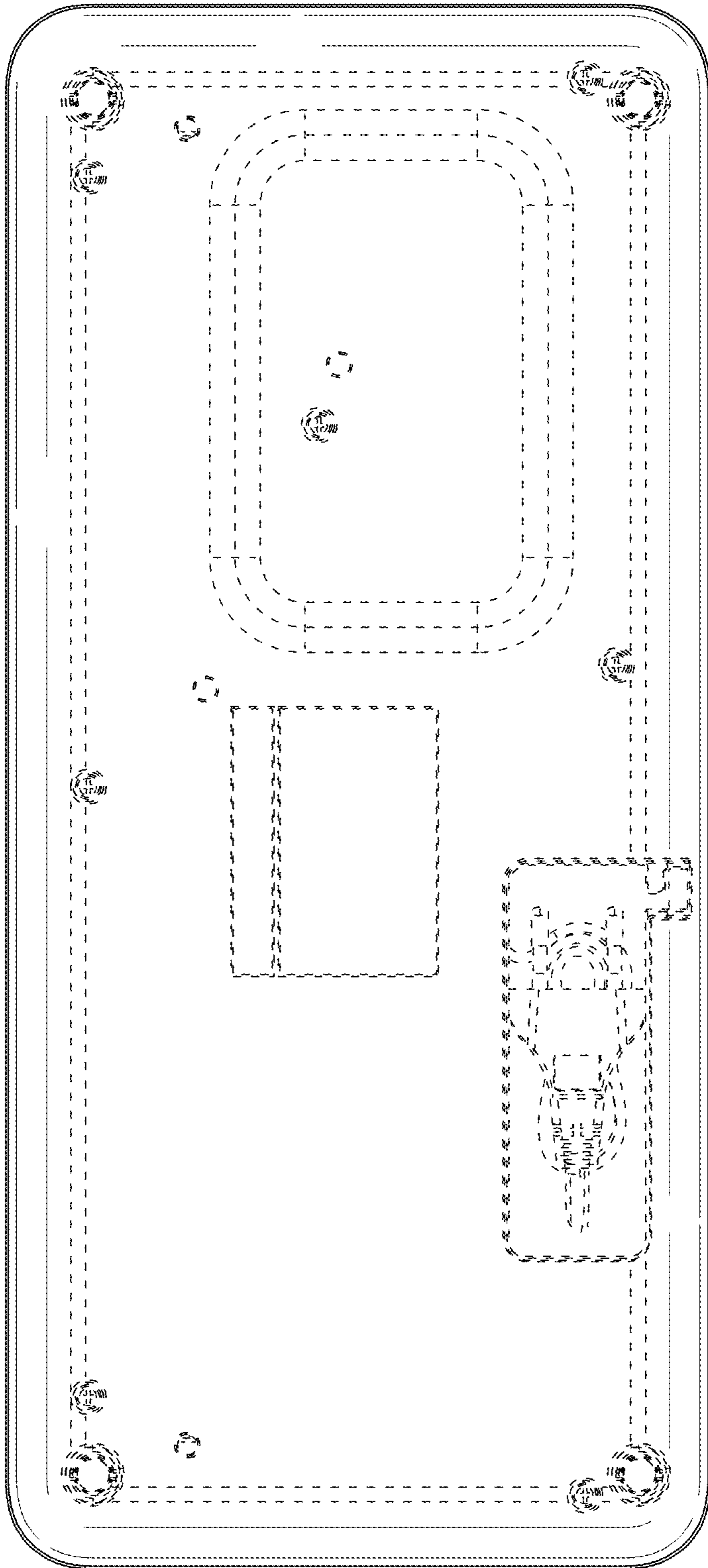


FIG. 7

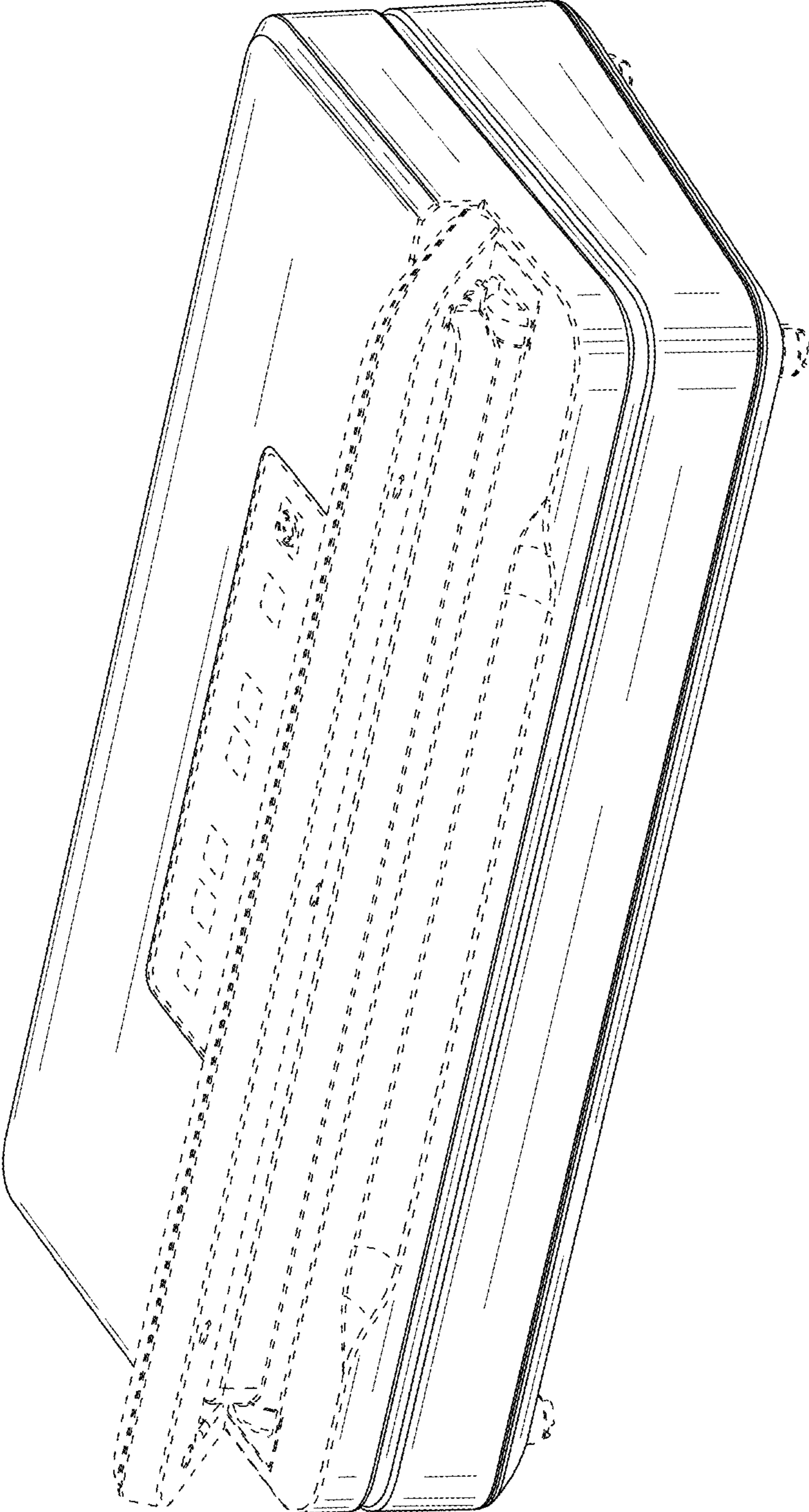


FIG. 8

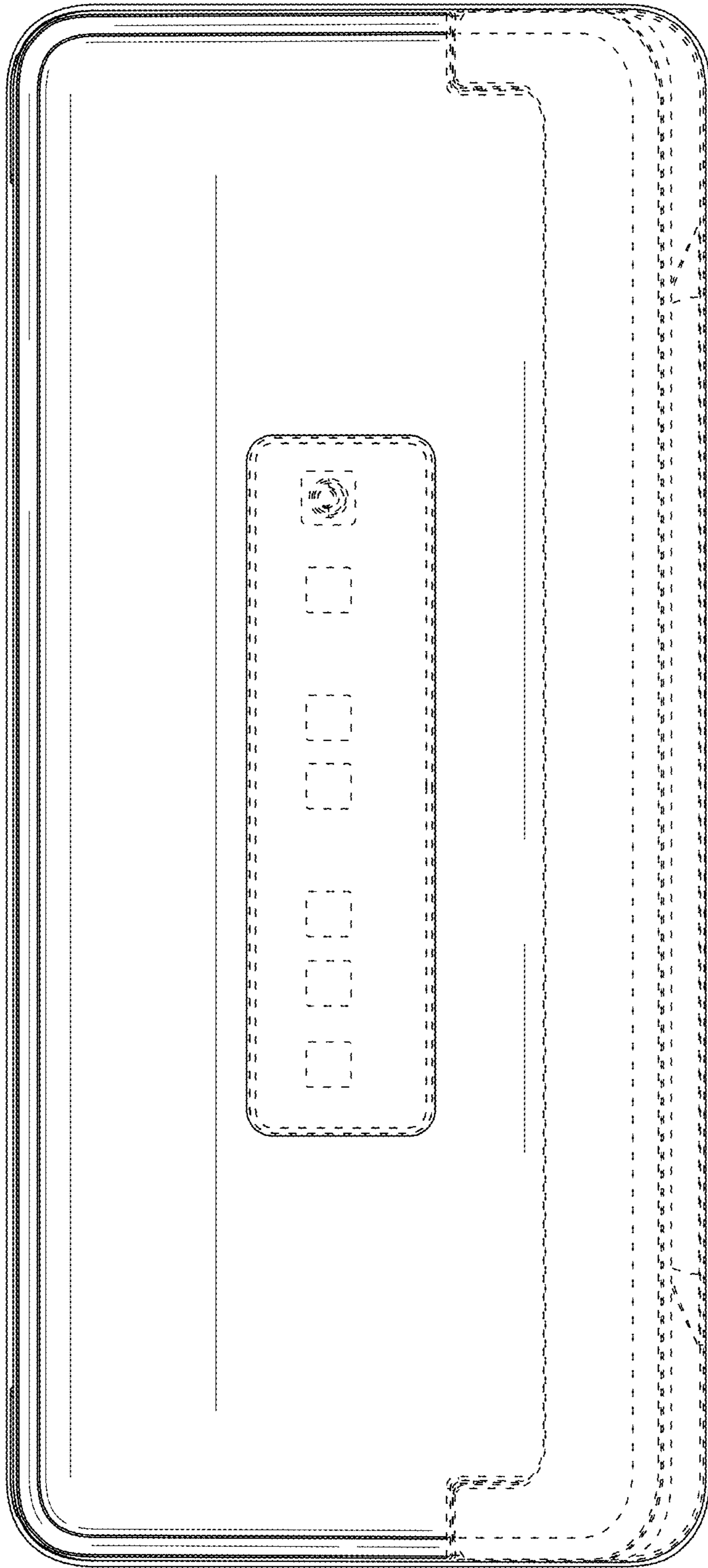


FIG. 9

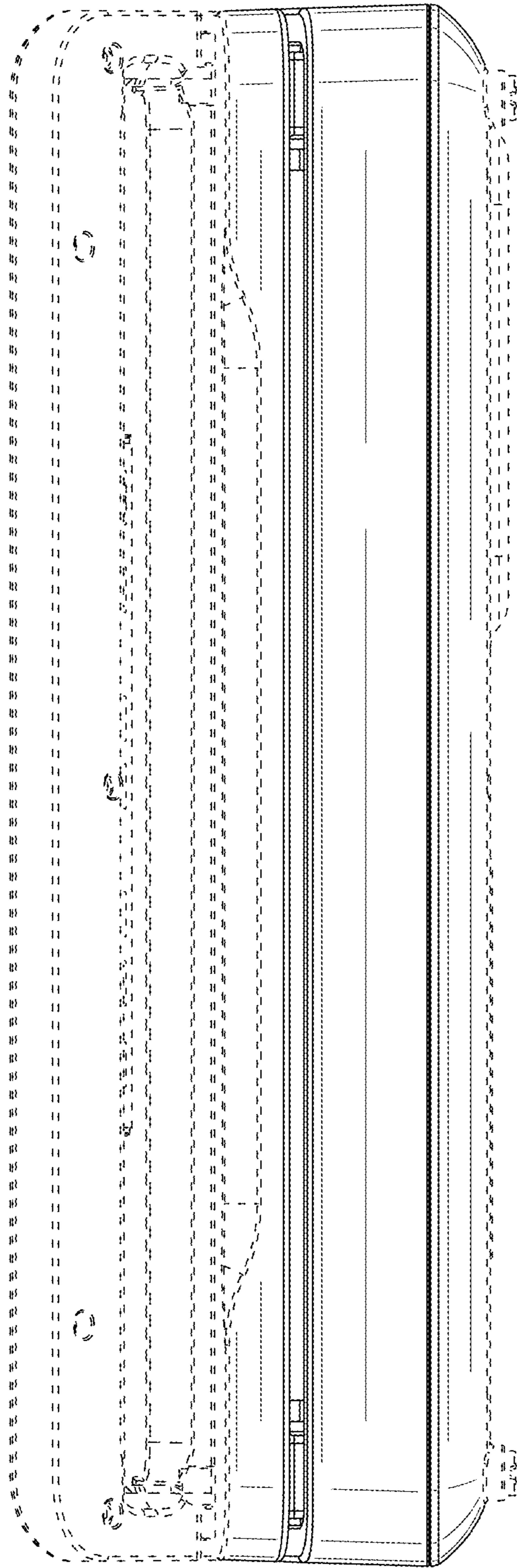


FIG. 10

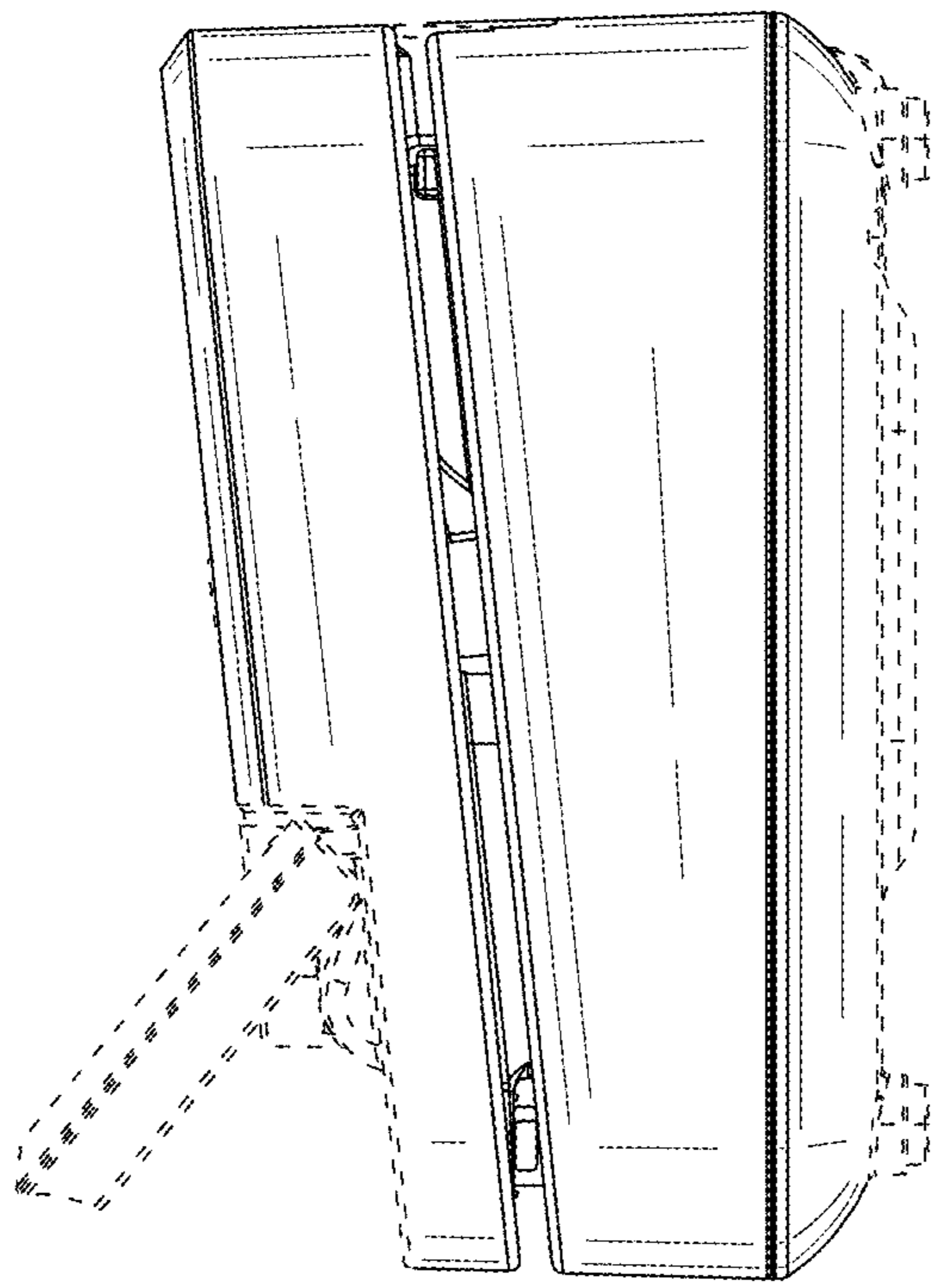


FIG. 11

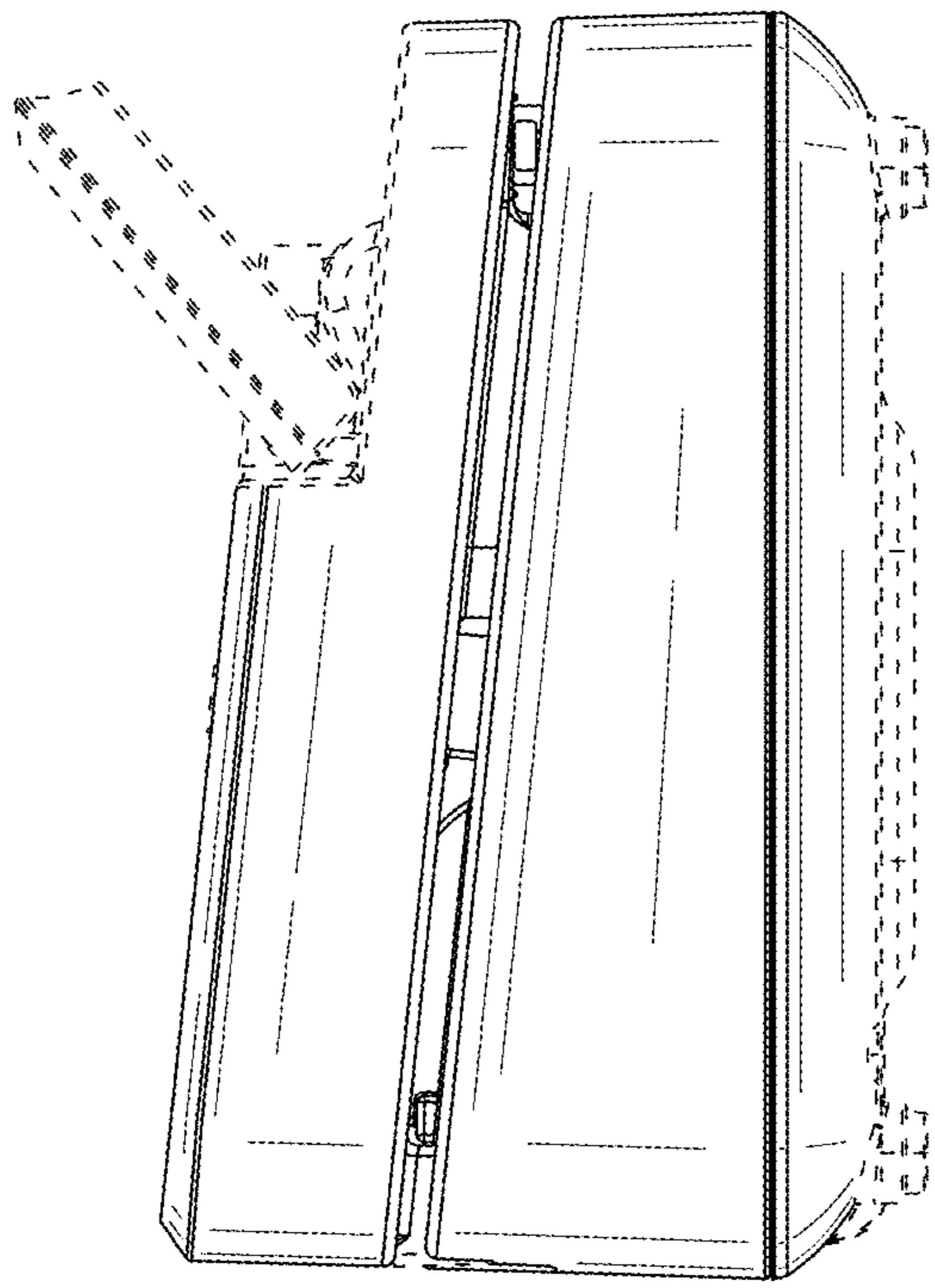


FIG. 12

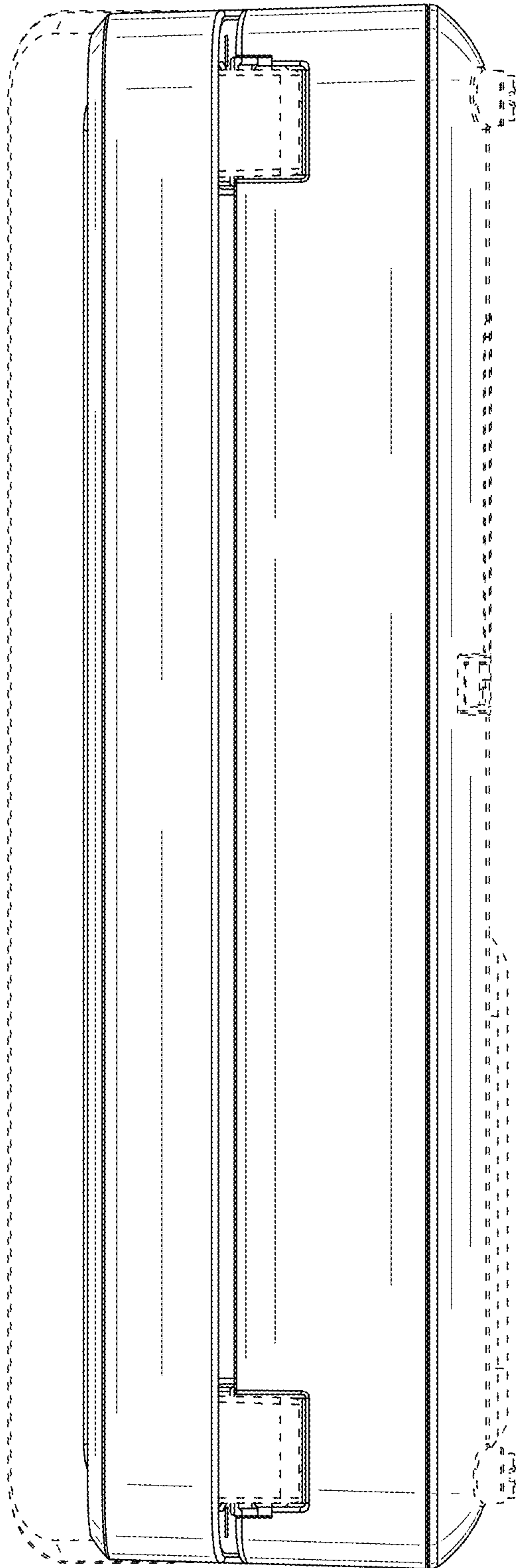


FIG. 13

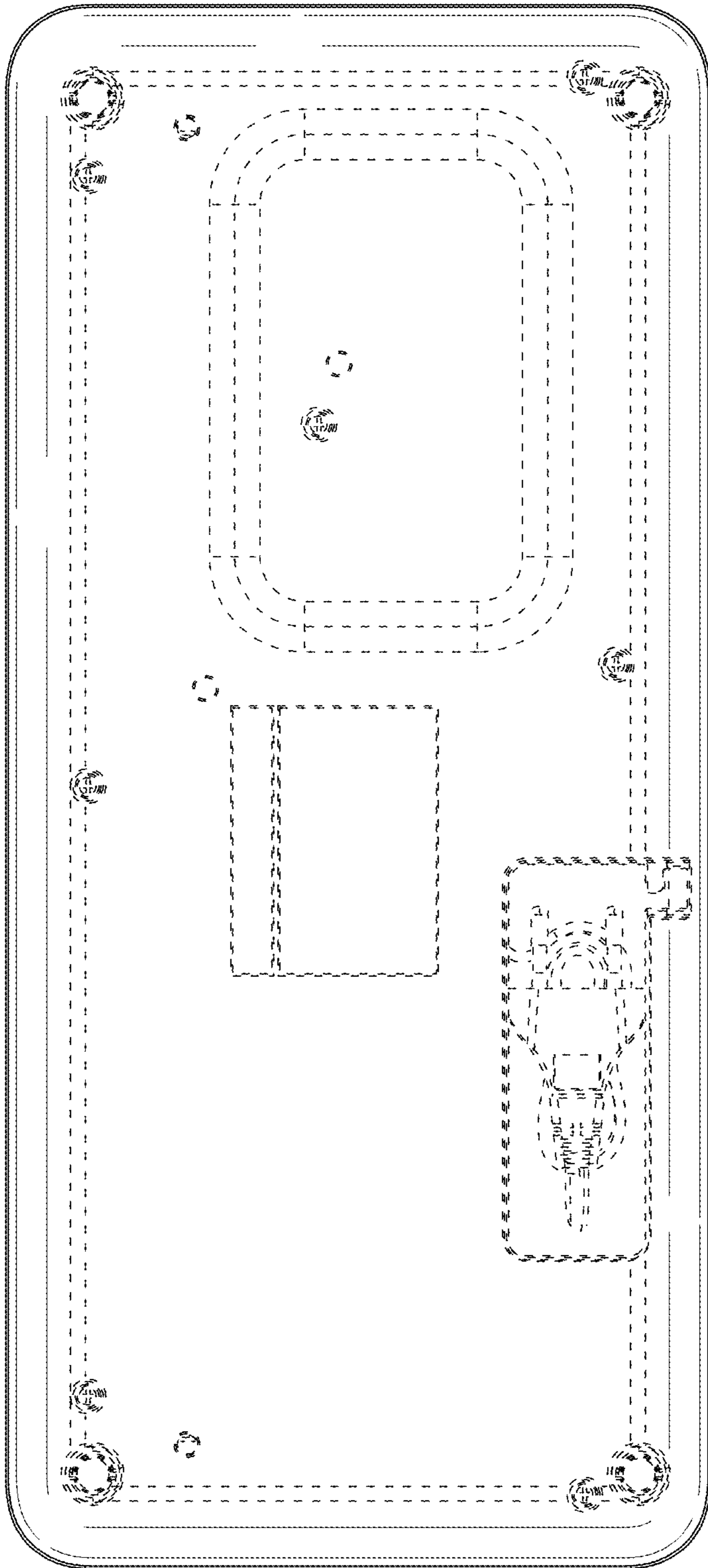


FIG. 14