

US00D960948S

(12) **United States Design Patent**  
**Deshpande**

(10) **Patent No.:** **US D960,948 S**

(45) **Date of Patent:** **\*\* Aug. 16, 2022**

(54) **HOUSING FOR A CARBON ARC GOUGING TORCH**

(71) Applicant: **Lincoln Global, Inc.**, Santa Fe Springs, CA (US)

(72) Inventor: **Dhananjay B. Deshpande**, Twinsburg, OH (US)

(73) Assignee: **LINCOLN GLOBAL, INC.**, Santa Fe Springs, CA (US)

(\*\*) Term: **15 Years**

(21) Appl. No.: **29/764,637**

(22) Filed: **Dec. 31, 2020**

(51) **LOC (13) Cl.** ..... **15-09**

(52) **U.S. Cl.**  
USPC ..... **D15/144; D8/29.1**

(58) **Field of Classification Search**  
USPC ..... D8/29.1, 29.2, 30, 61, 107; D15/144, D15/144.1, 144.2; D23/226

CPC ..... F23Q 3/002; F23D 14/38; H05H 1/3421; H05H 1/3436; H05H 1/3442; H05H 1/3484; H05H 1/3494

See application file for complete search history.

(56) **References Cited**

**U.S. PATENT DOCUMENTS**

D251,796 S *	5/1979	Edin	.....	D15/144.1
4,348,172 A *	9/1982	Miller	.....	F23D 14/38
				431/255
D279,543 S *	7/1985	Pashkov	.....	D8/30
4,954,683 A *	9/1990	Hatch	.....	H05H 1/34
				219/121.48
D343,629 S *	1/1994	Bode	.....	D8/30
D372,653 S *	8/1996	Baranowski, Jr.	.....	D8/30
D372,654 S *	8/1996	Baranowski, Jr.	.....	D8/30
D374,384 S *	10/1996	Baranowski, Jr.	.....	D8/30
D502,716 S *	3/2005	Ridley	.....	D8/30

D537,092 S *	2/2007	Owens	.....	D8/107
D683,774 S *	6/2013	Leiteritz	.....	D15/144.2
D698,378 S *	1/2014	Leiteritz	.....	D15/144.2
D698,835 S *	2/2014	Juskowich	.....	D15/144
D703,250 S *	4/2014	McKinley	.....	D8/30
D703,251 S *	4/2014	Raboin	.....	D8/30
D708,240 S	7/2014	Stephens et al.		
D708,241 S	7/2014	Stephens et al.		
D711,946 S *	8/2014	Raboin	.....	D8/30
D735,002 S *	7/2015	Bondy	.....	D8/30
D757,214 S *	5/2016	Richter	.....	D23/213
D806,770 S *	1/2018	Murphy	.....	D8/30
D809,034 S *	1/2018	Rola	.....	F23D 14/38
				D15/144
D813,627 S *	3/2018	Tsai	.....	D8/30
D837,848 S *	1/2019	Murphy	.....	D8/30
D883,055 S *	5/2020	Vazquez	.....	D13/133

(Continued)

*Primary Examiner* — Patricia A Palasik

(74) *Attorney, Agent, or Firm* — Brad C. Spencer

(57) **CLAIM**

The ornamental design for a housing for a carbon arc gouging torch, as shown and described.

**DESCRIPTION**

FIG. 1 is a front perspective view of the design for a housing for a carbon arc gouging torch;

FIG. 2 is a further front perspective view thereof;

FIG. 3 is a rear perspective view thereof;

FIG. 4 is a front elevational view thereof;

FIG. 5 is a rear elevational view thereof;

FIG. 6 is a right side elevational view thereof;

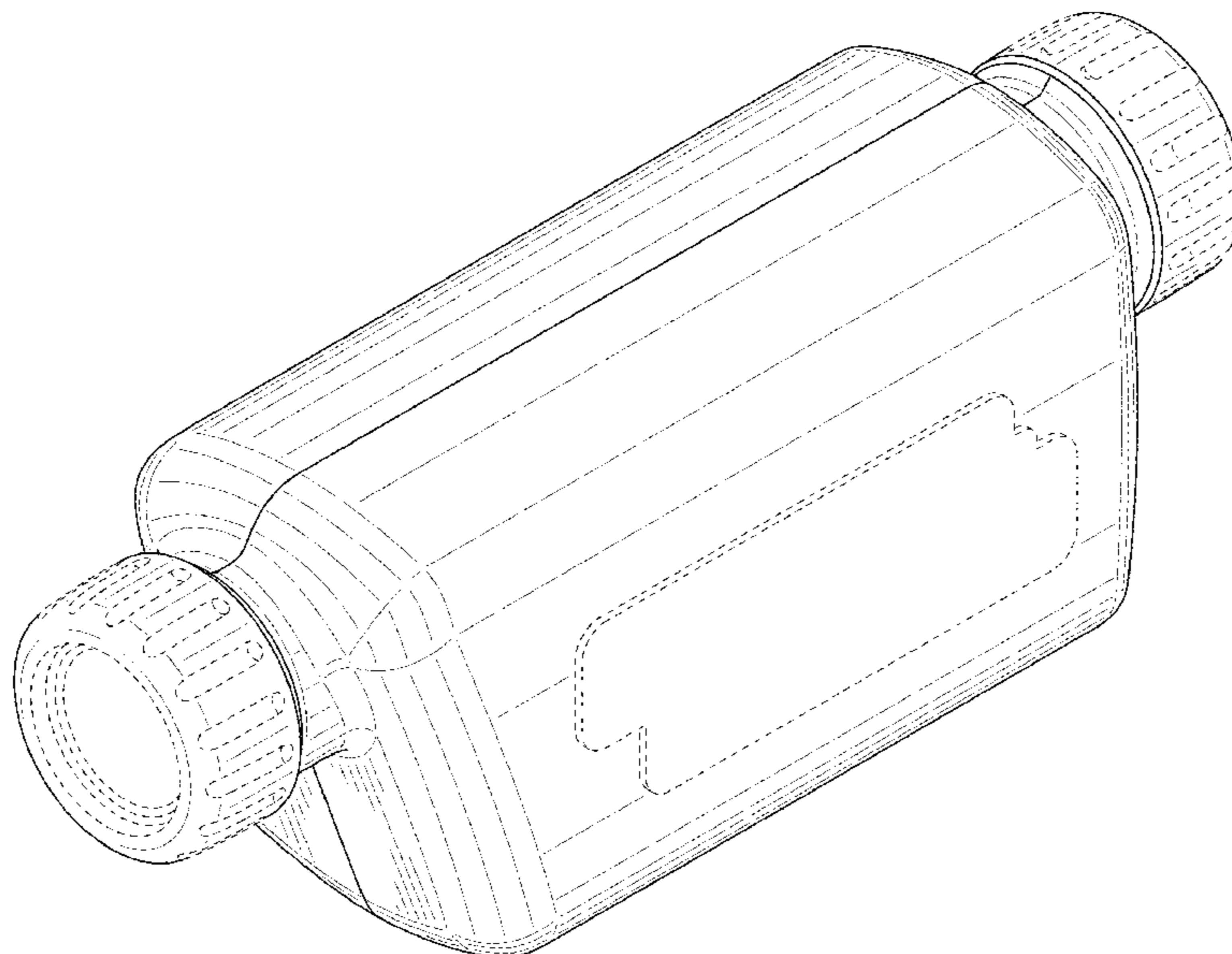
FIG. 7 is a left side elevational view thereof;

FIG. 8 is a top plan view thereof; and,

FIG. 9 is a bottom plan view thereof.

In these drawings, the solid lines illustrate the claimed ornamental design, whereas the broken lines illustrate portions of the housing for a carbon arc gouging torch that form no part of the claimed ornamental design.

**1 Claim, 8 Drawing Sheets**



(56)

**References Cited**

U.S. PATENT DOCUMENTS

D904,146 S \* 12/2020 Grossauer ..... H05H 1/34  
219/121.48  
D944,739 S \* 3/2022 Assmann ..... D13/133

\* cited by examiner

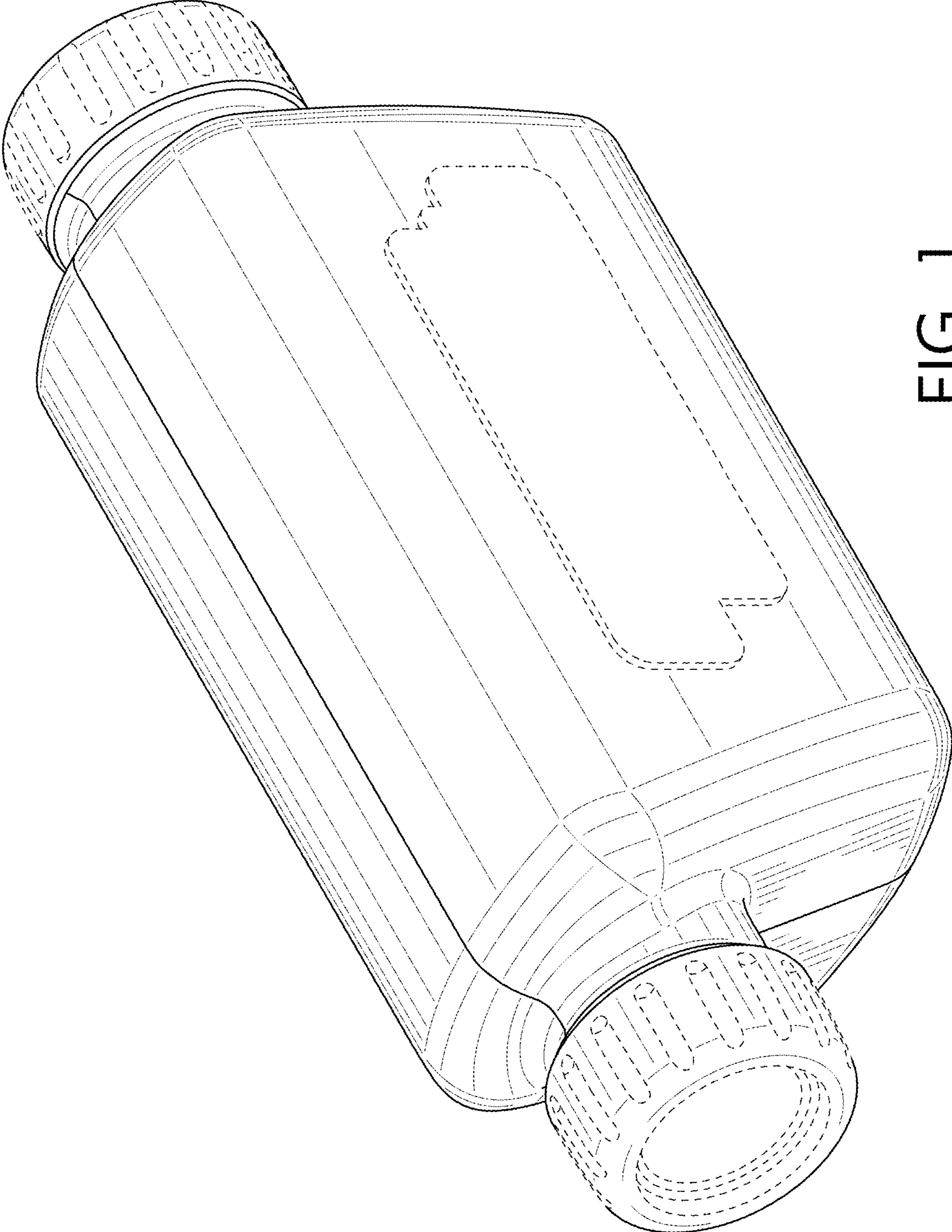


FIG. 1

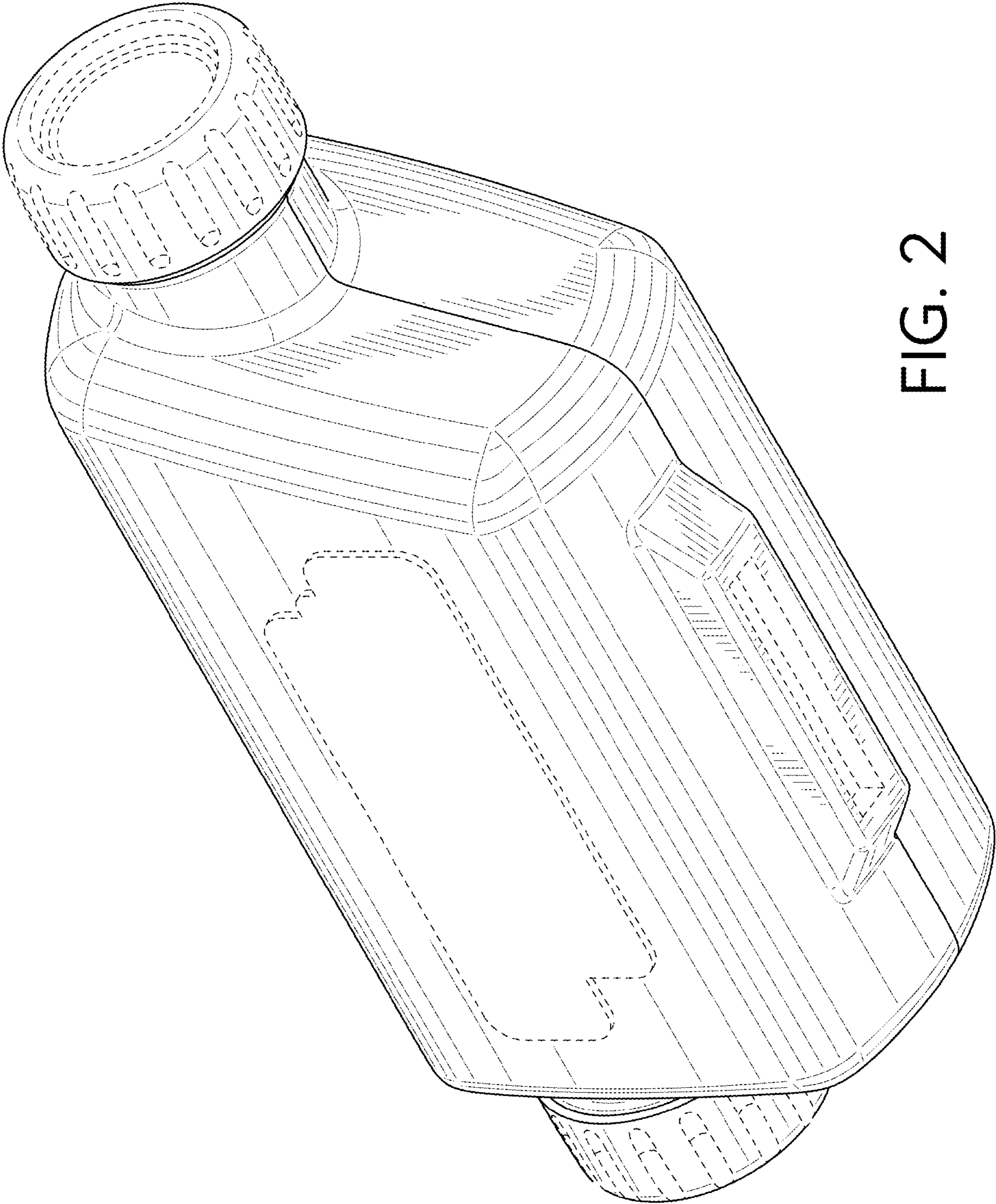


FIG. 2

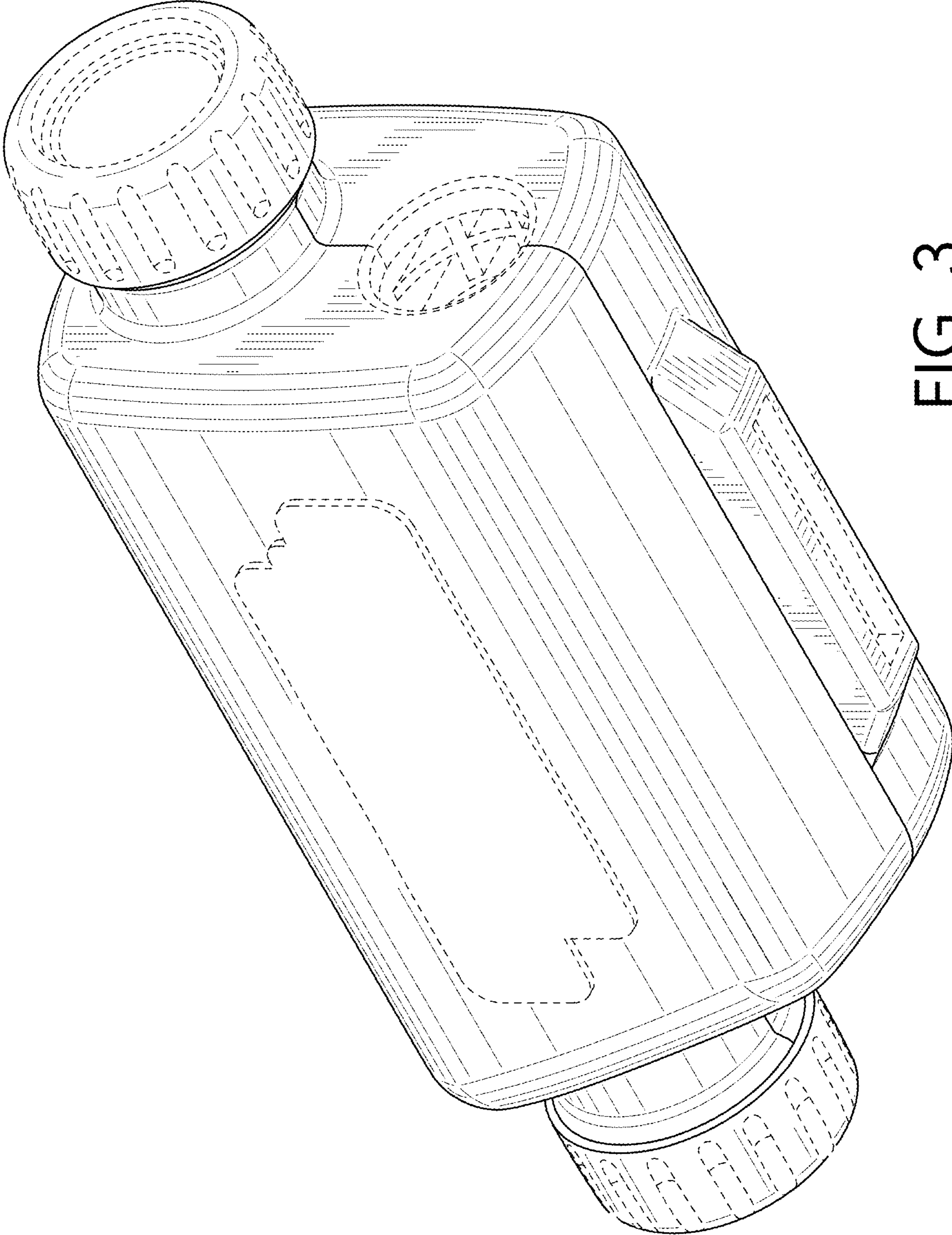


FIG. 3

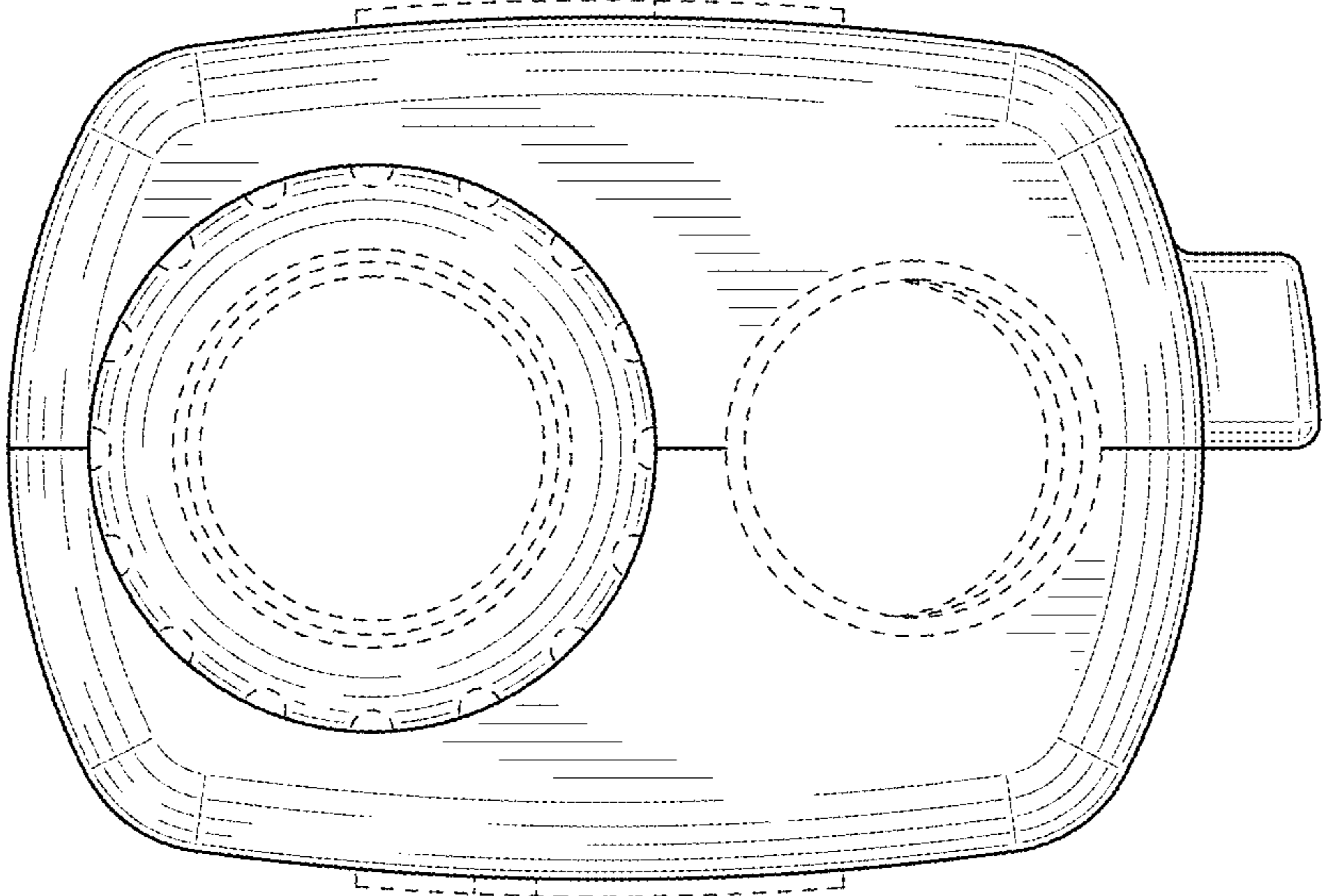


FIG. 4

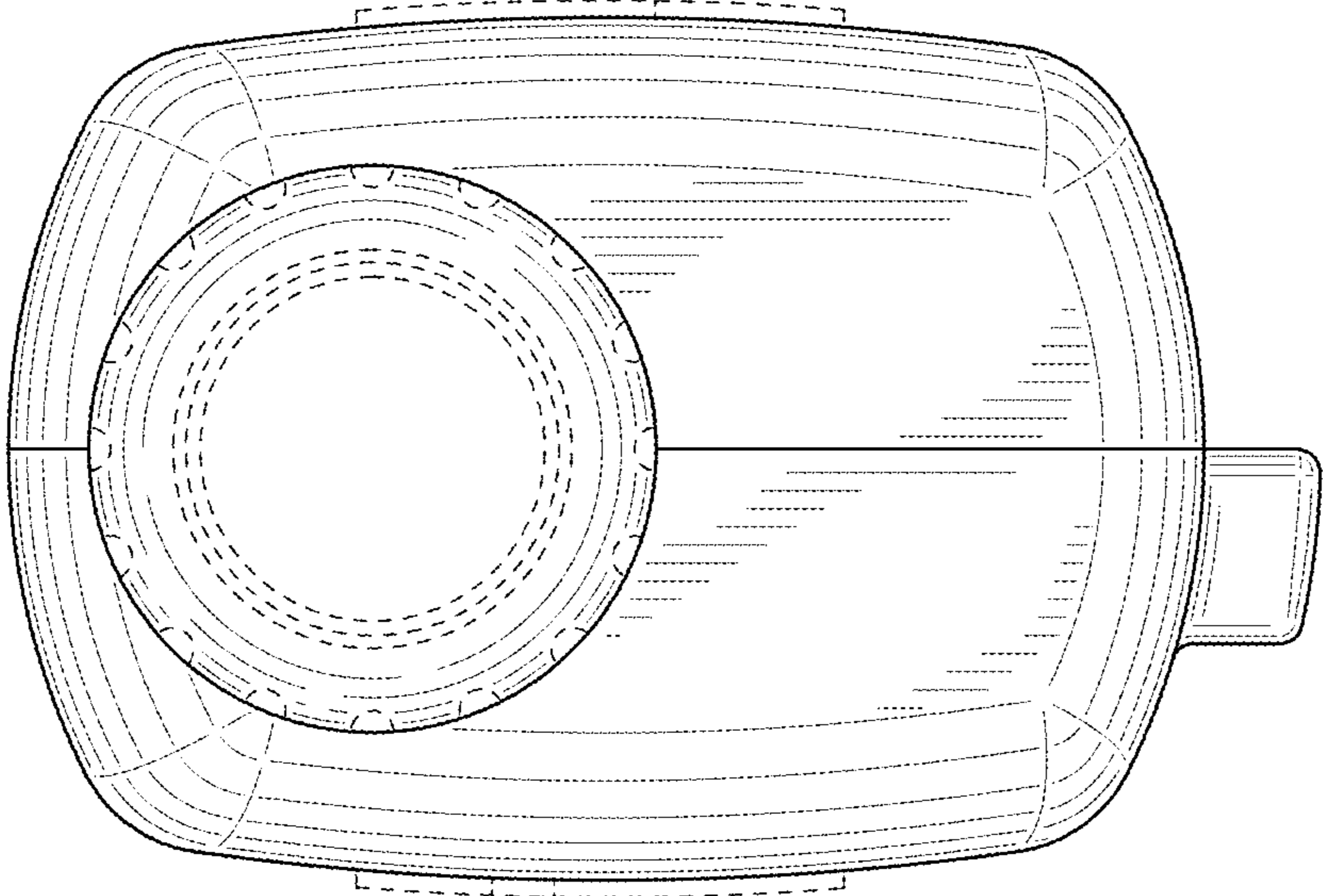


FIG. 5

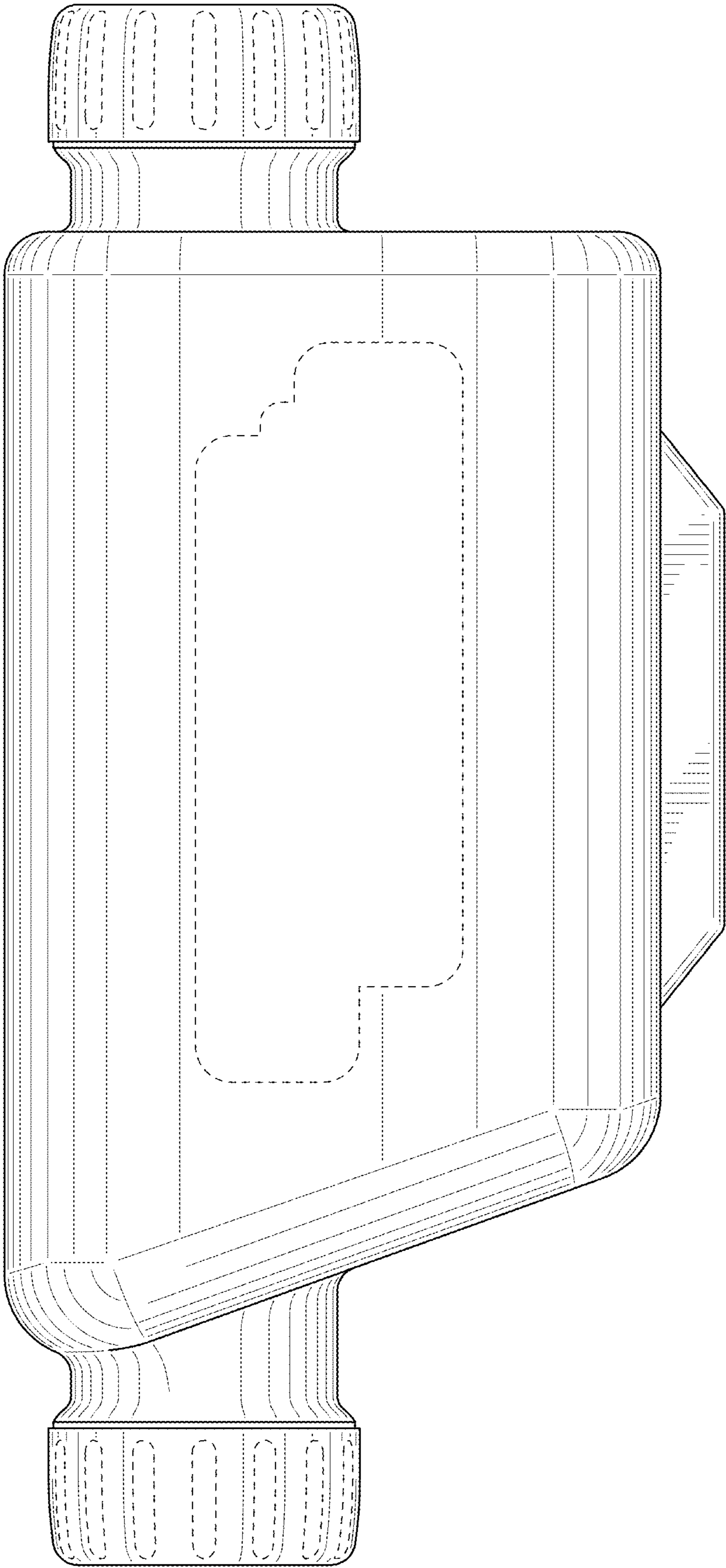


FIG. 6

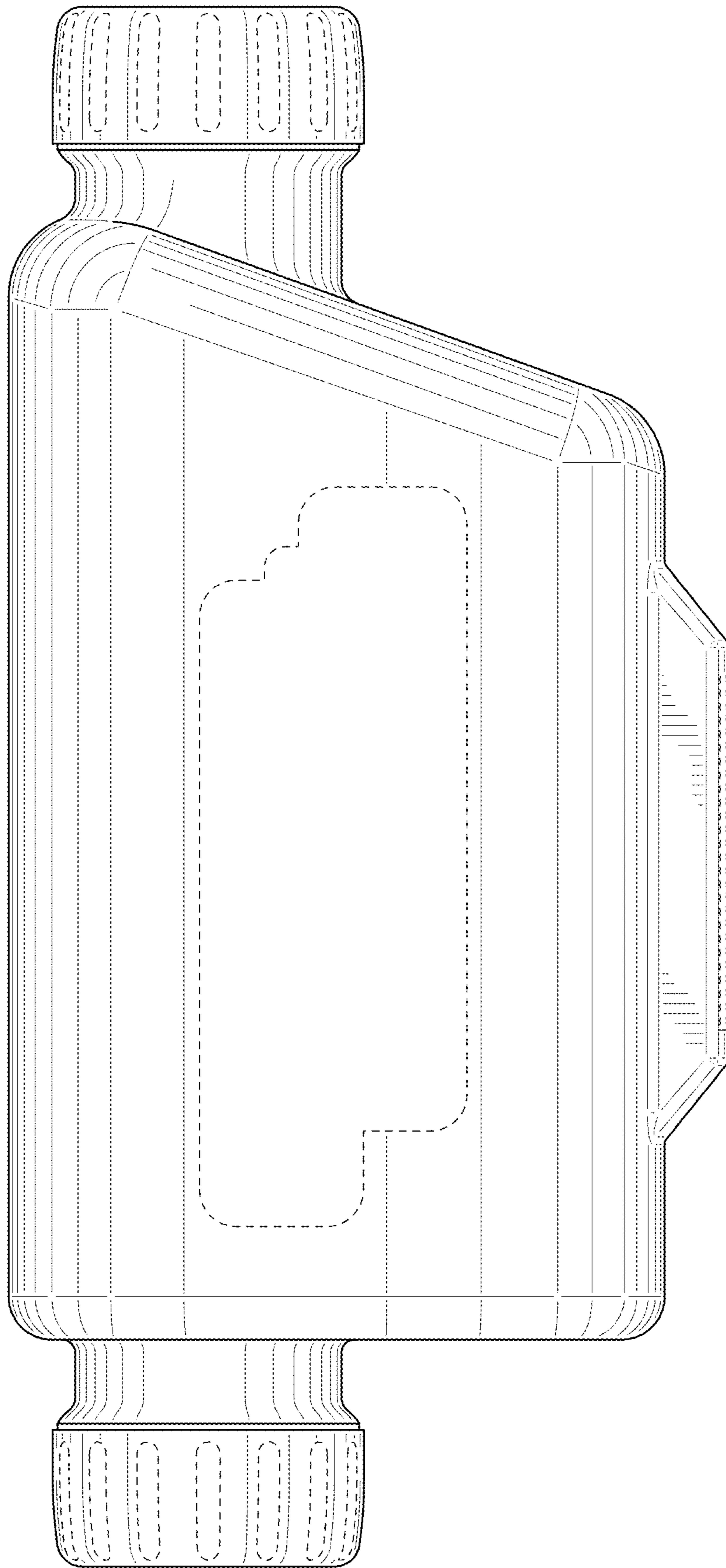


FIG. 7



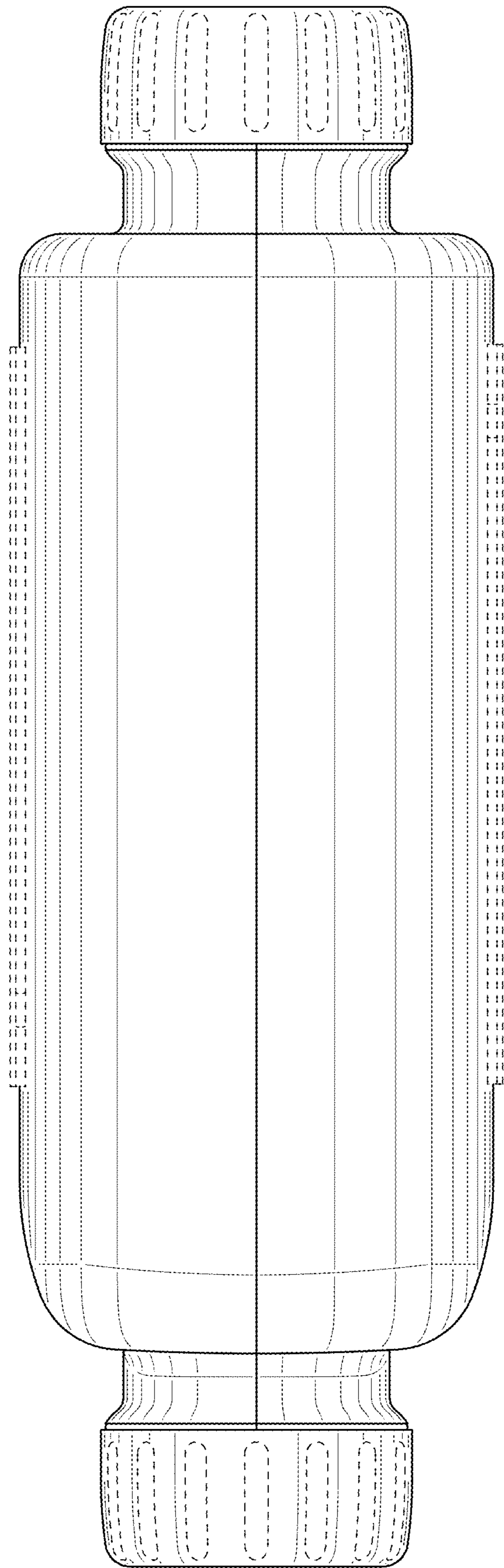


FIG. 8

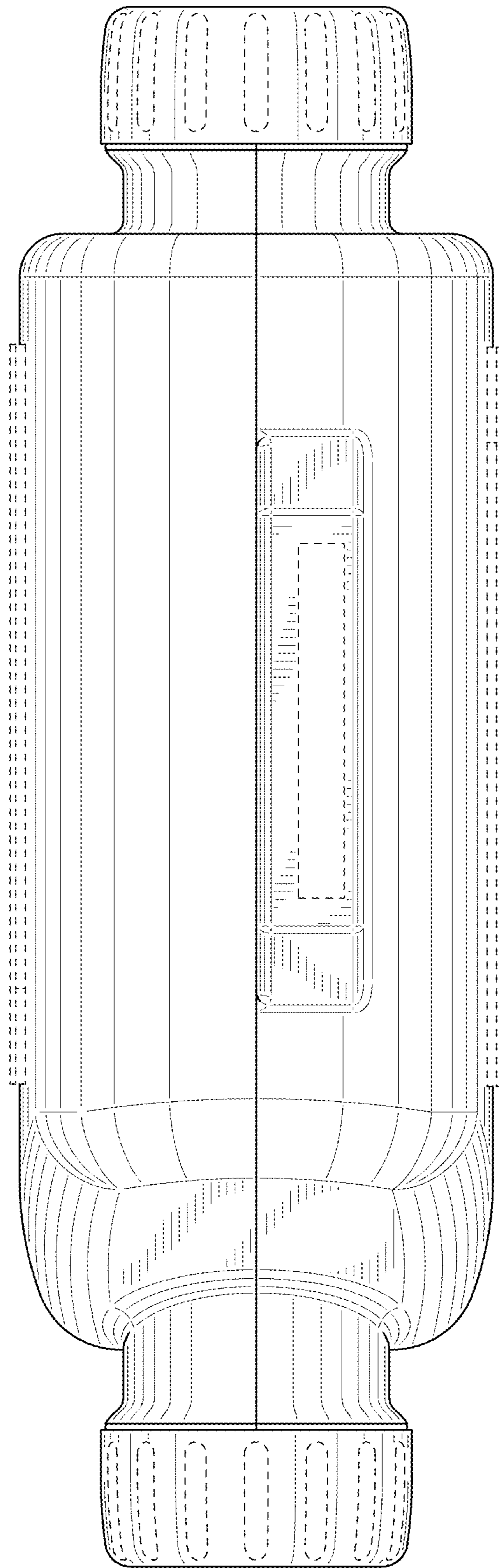


FIG. 9