

US00D960944S

(12) **United States Design Patent**  
**Endoh et al.**

(10) **Patent No.:** **US D960,944 S**

(45) **Date of Patent:** **\*\* Aug. 16, 2022**

(54) **CUTTING INSERT**

(71) Applicant: **OSG CORPORATION**, Toyokawa (JP)

(72) Inventors: **Yasuyuki Endoh**, Toyohashi (JP); **Peter Gennuso**, Hoffman Estates, IL (US)

(73) Assignee: **OSG CORPORATION**, Toyokawa (JP)

(\*\*) Term: **15 Years**

(21) Appl. No.: **29/811,490**

(22) Filed: **Oct. 14, 2021**

**Related U.S. Application Data**

(62) Division of application No. 29/713,041, filed on Nov. 13, 2019, now Pat. No. Des. 936,713.

(51) **LOC (13) Cl.** ..... **15-09**

(52) **U.S. Cl.**  
USPC ..... **D15/139**

(58) **Field of Classification Search**

USPC ..... D15/124, 138, 139; D8/70, 90, 98  
CPC ..... B23C 2200/0411; B23C 2200/0416; B23C  
2200/0433; B23C 2200/164; B23C  
2200/361

See application file for complete search history.

(56) **References Cited**

**U.S. PATENT DOCUMENTS**

D278,716 S *	5/1985	Pano	.....	D15/139
D426,561 S *	6/2000	Brosnahan	.....	D15/139
D426,562 S *	6/2000	Kasperik	.....	D15/139
D426,839 S *	6/2000	Morrison	.....	D15/139
D427,215 S *	6/2000	Nelson	.....	D15/139
D631,493 S *	1/2011	Tanaka	.....	D15/139
D633,535 S *	3/2011	Tanaka	.....	D15/139
D692,036 S *	10/2013	Schleicher	.....	D15/139
D700,225 S *	2/2014	Waggle	.....	D15/139
D700,640 S *	3/2014	Choi	.....	D15/139

D736,841 S *	8/2015	Jung	.....	D15/139
D748,703 S *	2/2016	Nam	.....	D15/139
D772,319 S *	11/2016	Nam	.....	D15/139
D805,116 S *	12/2017	Fukuyama	.....	D15/139
D805,566 S *	12/2017	Oh	.....	B25C 5/06 D15/139

(Continued)

**FOREIGN PATENT DOCUMENTS**

WO WO-2007057113 A1 \* 5/2007 ..... B23C 5/202

*Primary Examiner* — Michael C Stout

*Assistant Examiner* — Fritzgerald L Butac

(74) *Attorney, Agent, or Firm* — Oliff PLC

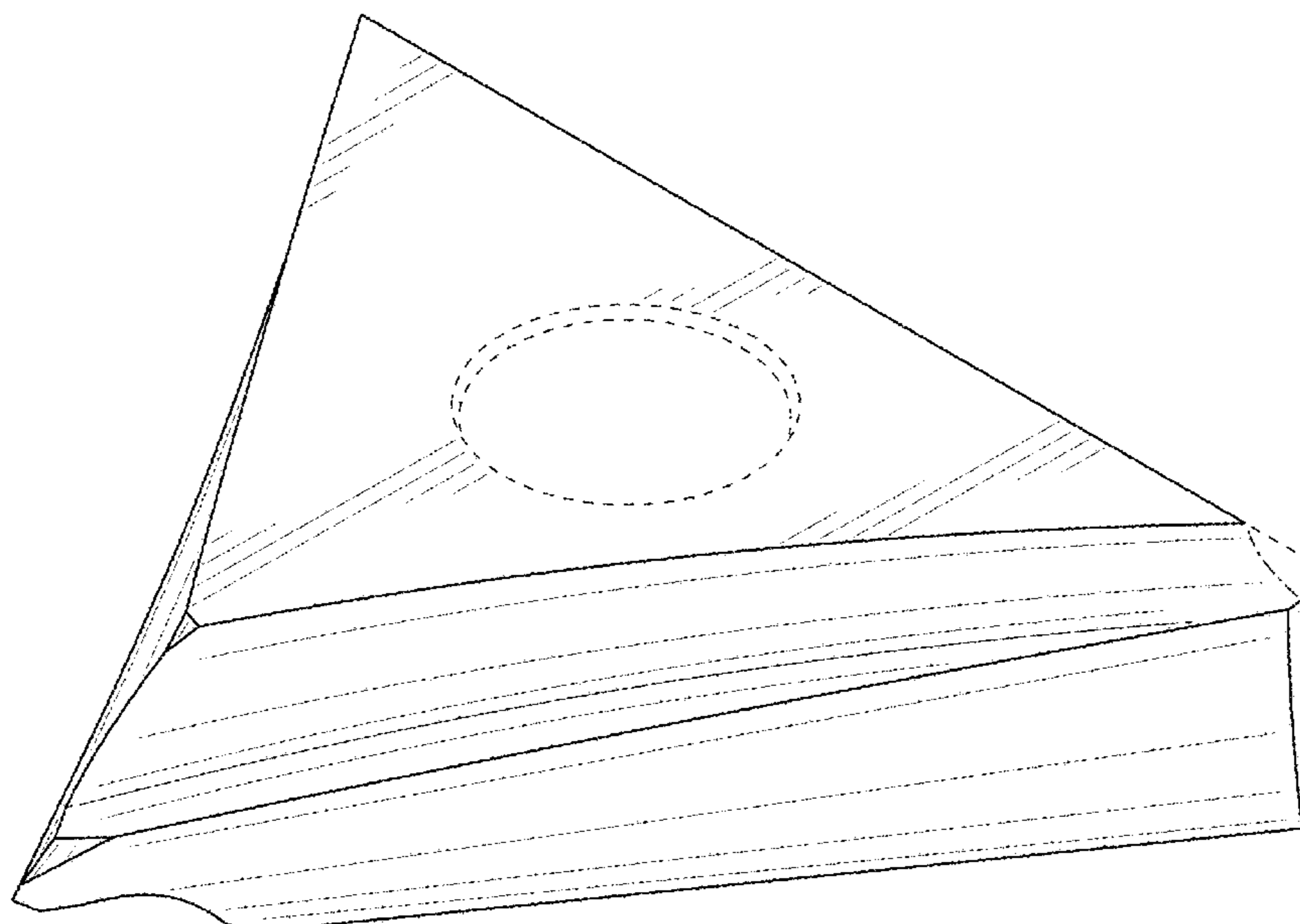
(57) **CLAIM**

The ornamental design for a cutting insert, as shown and described.

**DESCRIPTION**

FIG. 1 is a front, right-side, bottom perspective view of a cutting insert, showing the new design; FIG. 2 is a front elevational view thereof; FIG. 3 is a rear elevational view thereof; FIG. 4 is a right-side elevational view thereof; FIG. 5 is a left-side elevational view thereof; FIG. 6 is a top plan view thereof; FIG. 7 is a bottom plan view thereof; FIG. 8 is an enlargement of area 8 in FIG. 2; FIG. 9 is an enlargement of area 9 in FIG. 7; and, FIG. 10 is a cross-sectional view along line 10-10 in FIG. 2. The broken lines depict parts of the cutting insert that form no part of the claimed design. The dot-dash chain lines depict boundaries of the claimed subject matter and form no part of the claimed design. The dot-dot-dash chain lines depict enlargement areas and cross-section lines, and thus form no part of the claimed design.

**1 Claim, 7 Drawing Sheets**



(56)

**References Cited**

## U.S. PATENT DOCUMENTS

D807,935 S \* 1/2018 Dudzinsky ..... B23C 5/2213  
D15/139  
D812,116 S \* 3/2018 Choi ..... D15/139  
D815,164 S \* 4/2018 Schleicher ..... D15/139  
D832,319 S \* 10/2018 Muthuswamy ..... D15/139  
D835,167 S \* 12/2018 Sakai ..... D15/139  
D845,361 S \* 4/2019 Komiyama ..... B23C 5/202  
D15/139  
D847,883 S \* 5/2019 Kobayashi ..... D15/139  
D847,884 S \* 5/2019 Hayakawa ..... D15/139  
D857,067 S \* 8/2019 Hayakawa ..... D15/139  
D857,068 S \* 8/2019 Hayakawa ..... D15/139  
D884,039 S \* 5/2020 Endoh ..... D15/139  
D884,040 S \* 5/2020 Endoh ..... D15/139  
D884,041 S \* 5/2020 Endoh ..... D15/139  
D898,085 S \* 10/2020 Kim ..... B23C 5/202  
D15/139  
D907,670 S \* 1/2021 Nagafuchi ..... B23B 27/145  
D15/139  
D909,438 S \* 2/2021 Fujii ..... D15/139  
D921,075 S \* 6/2021 Park ..... D15/139  
D922,460 S \* 6/2021 Park ..... D15/139  
D936,713 S \* 11/2021 Endoh ..... D15/139

\* cited by examiner

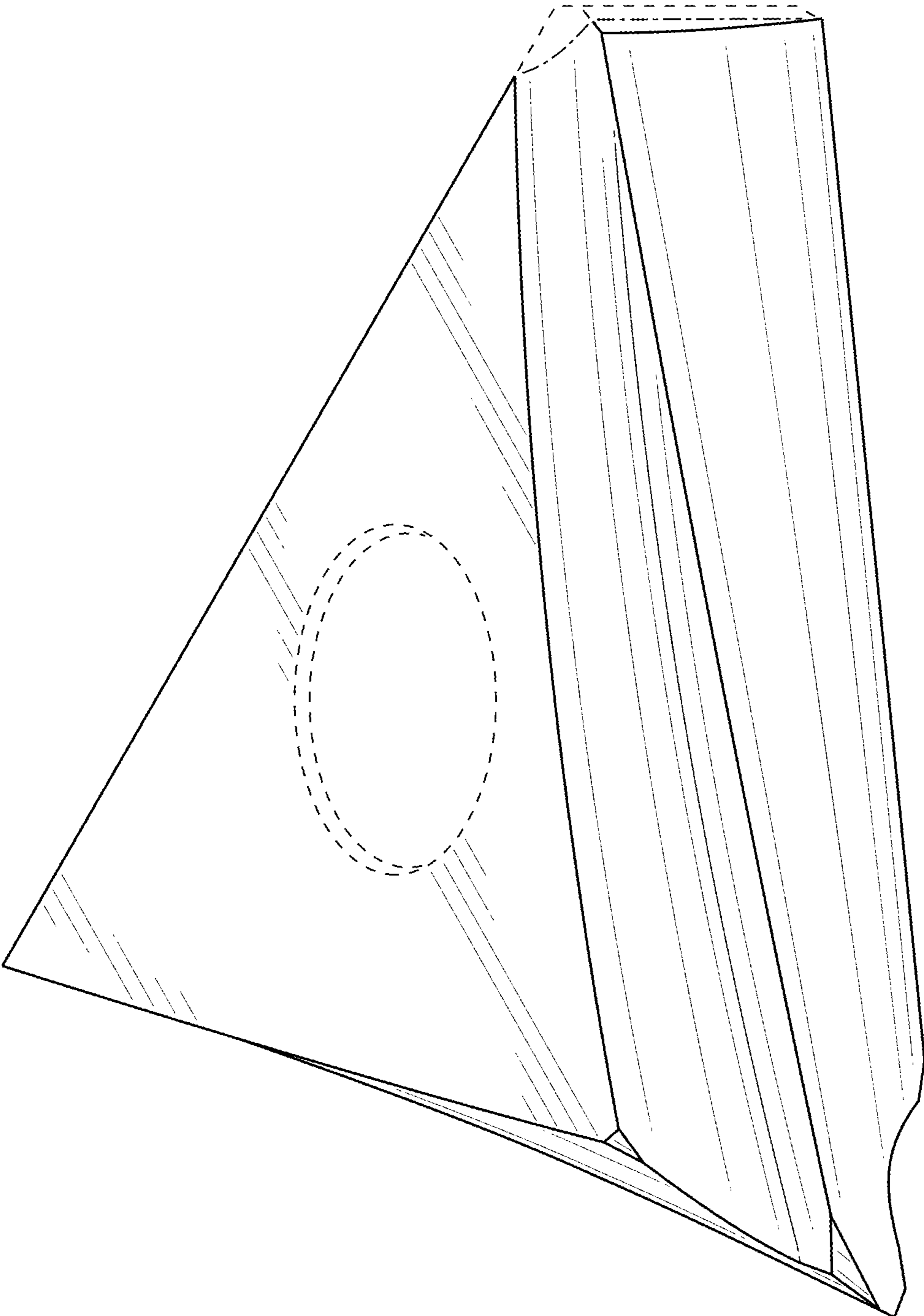


FIG. 1

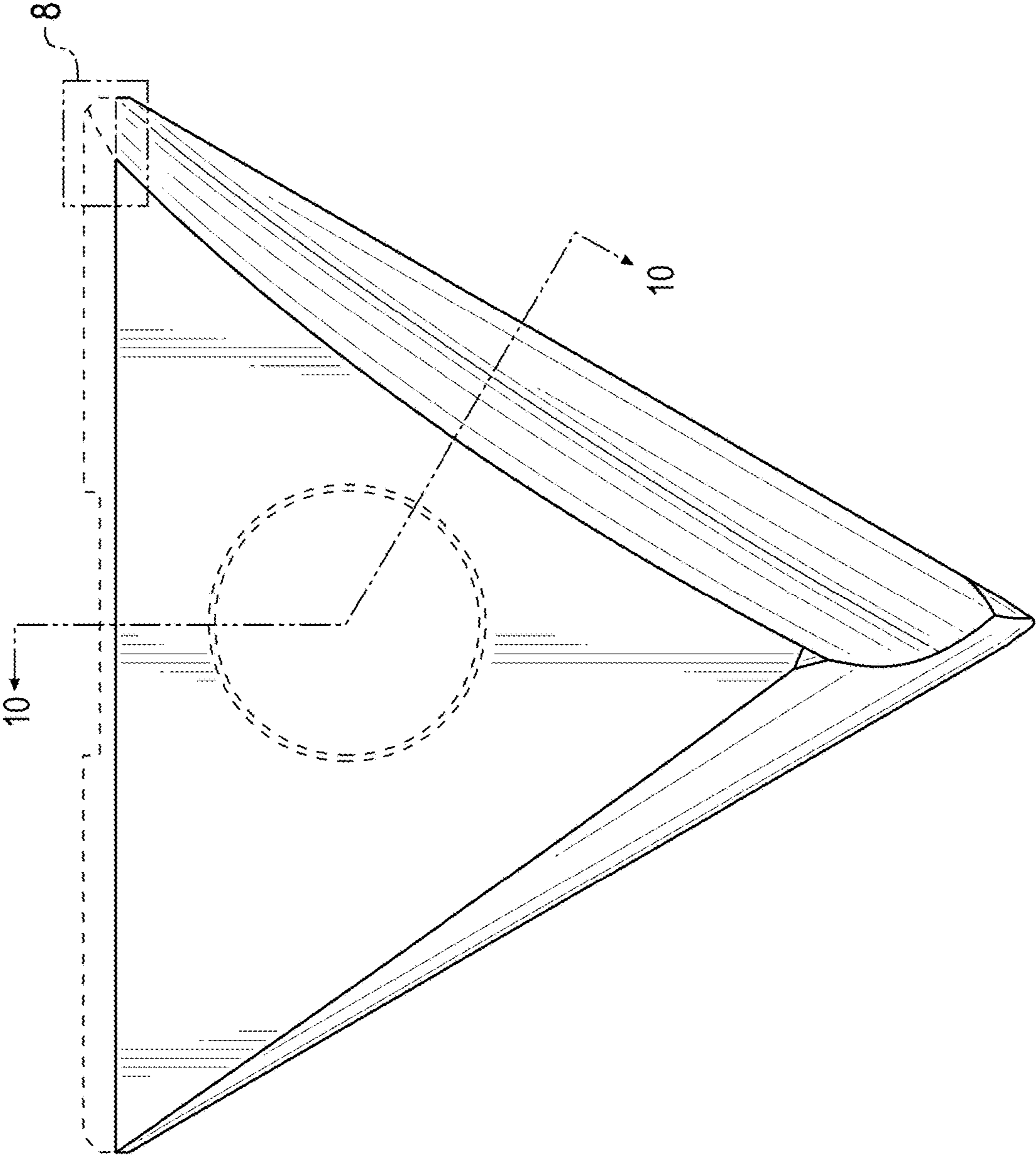


FIG. 2

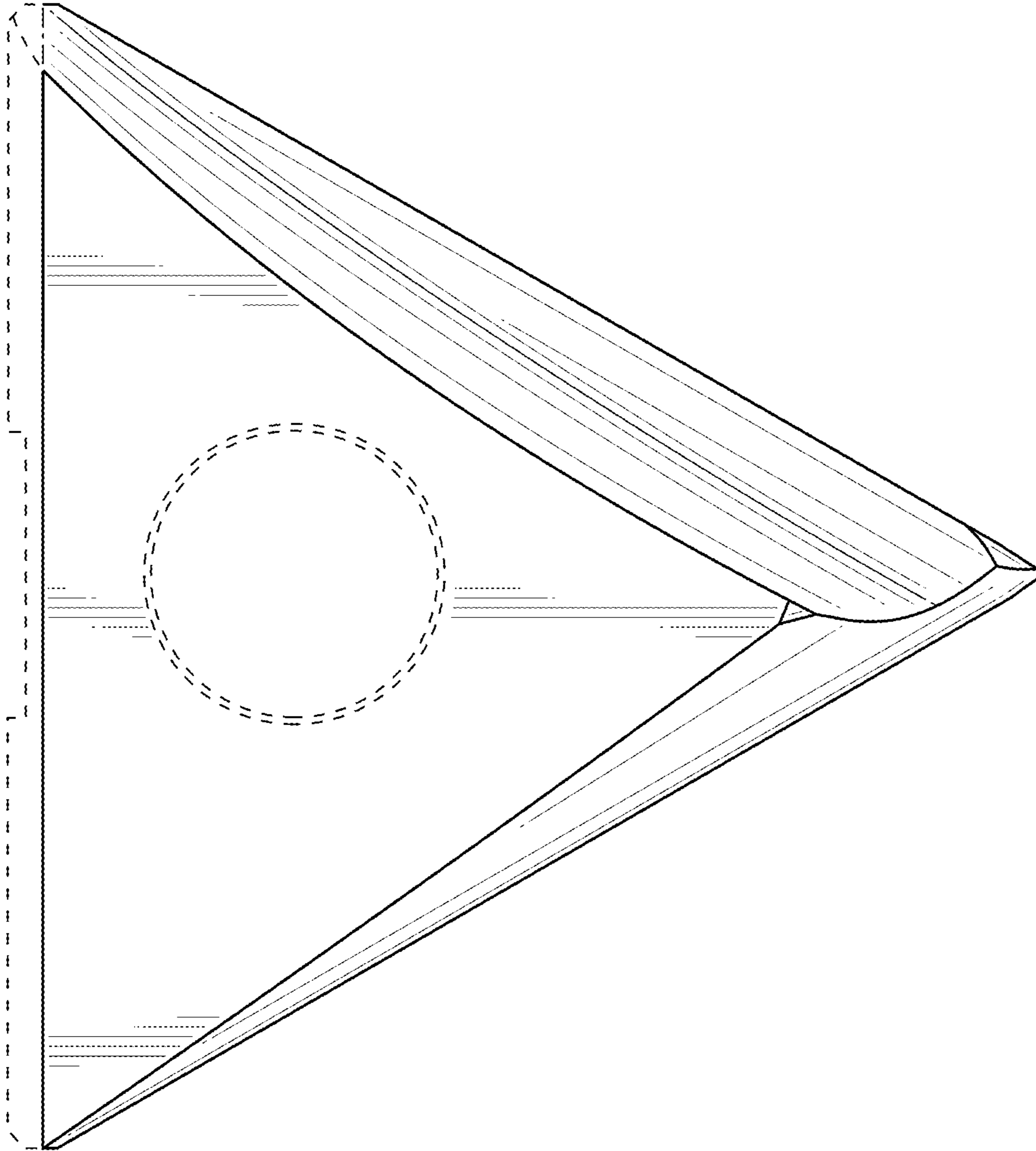


FIG. 3

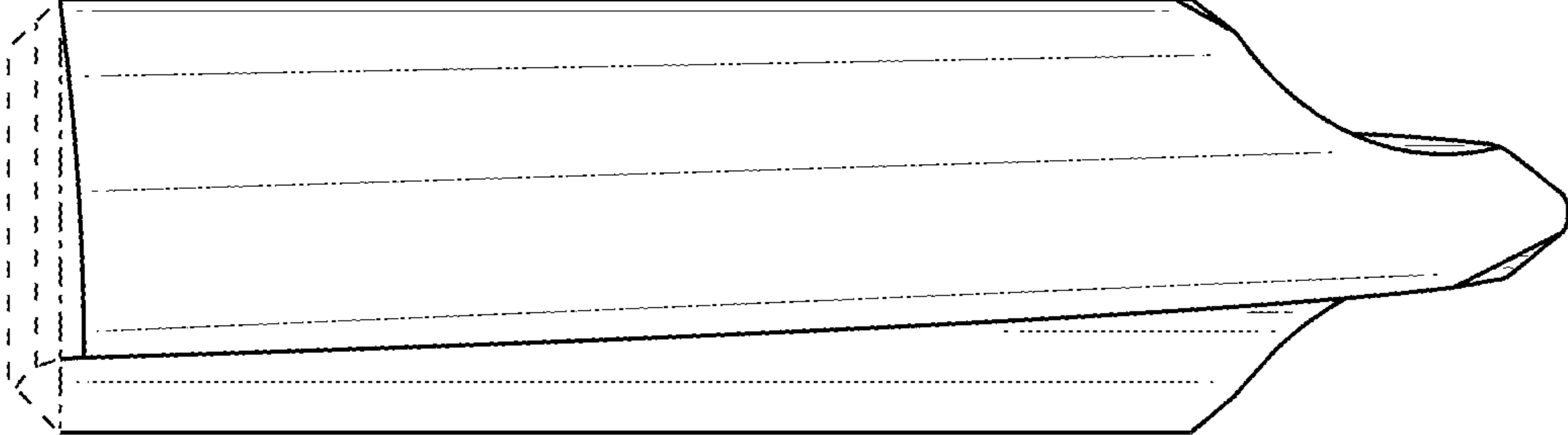


FIG. 5

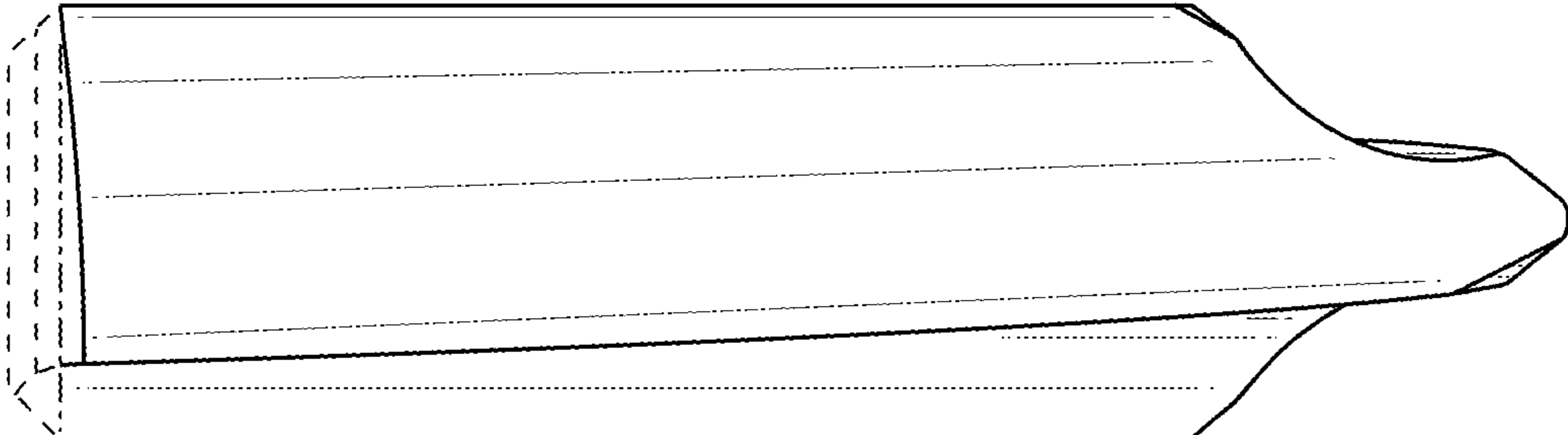


FIG. 4

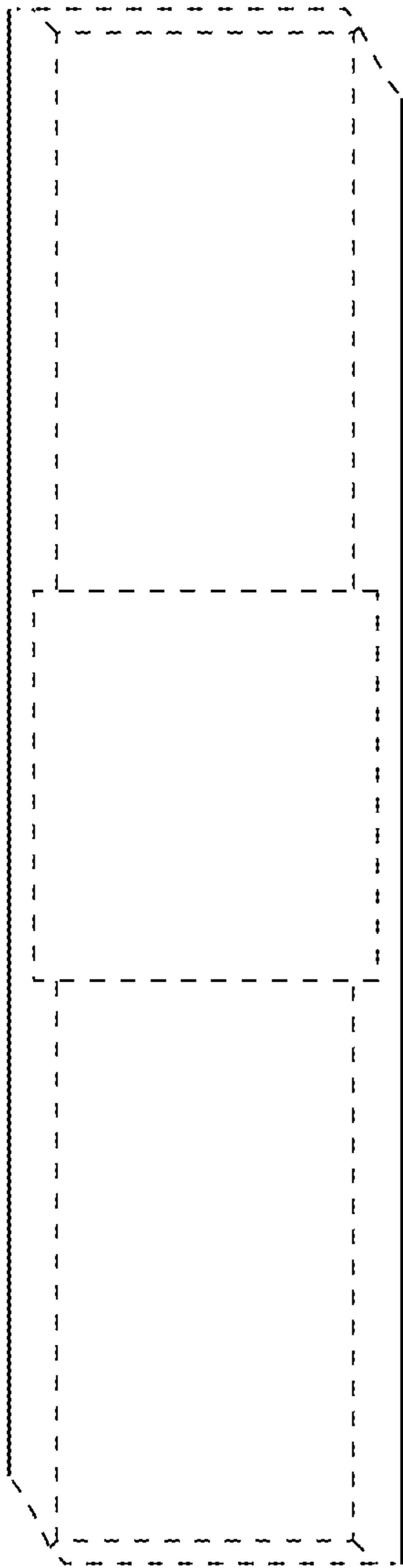


FIG. 6

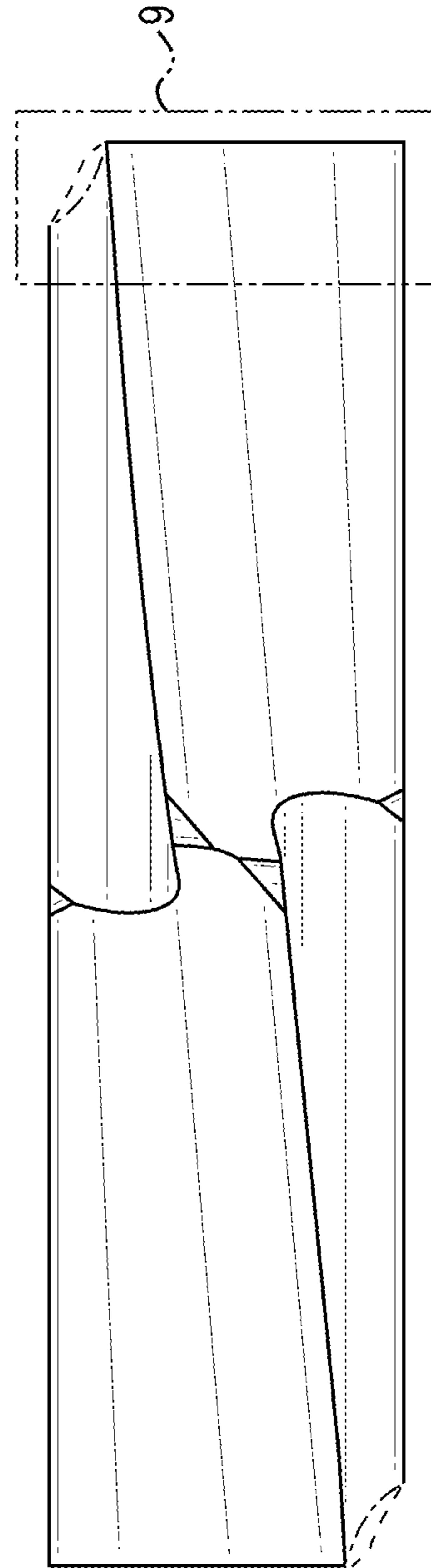


FIG. 7

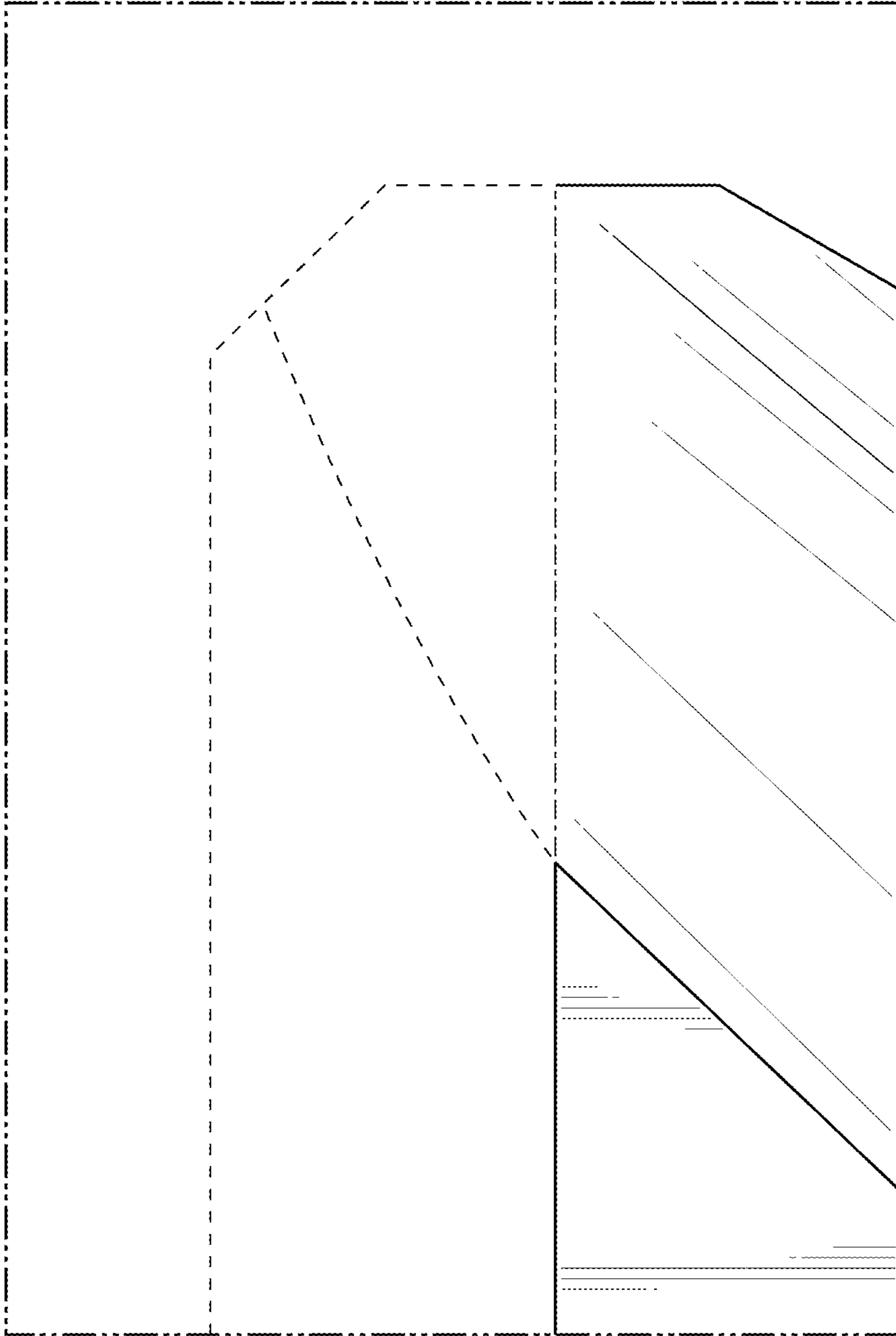


FIG. 8



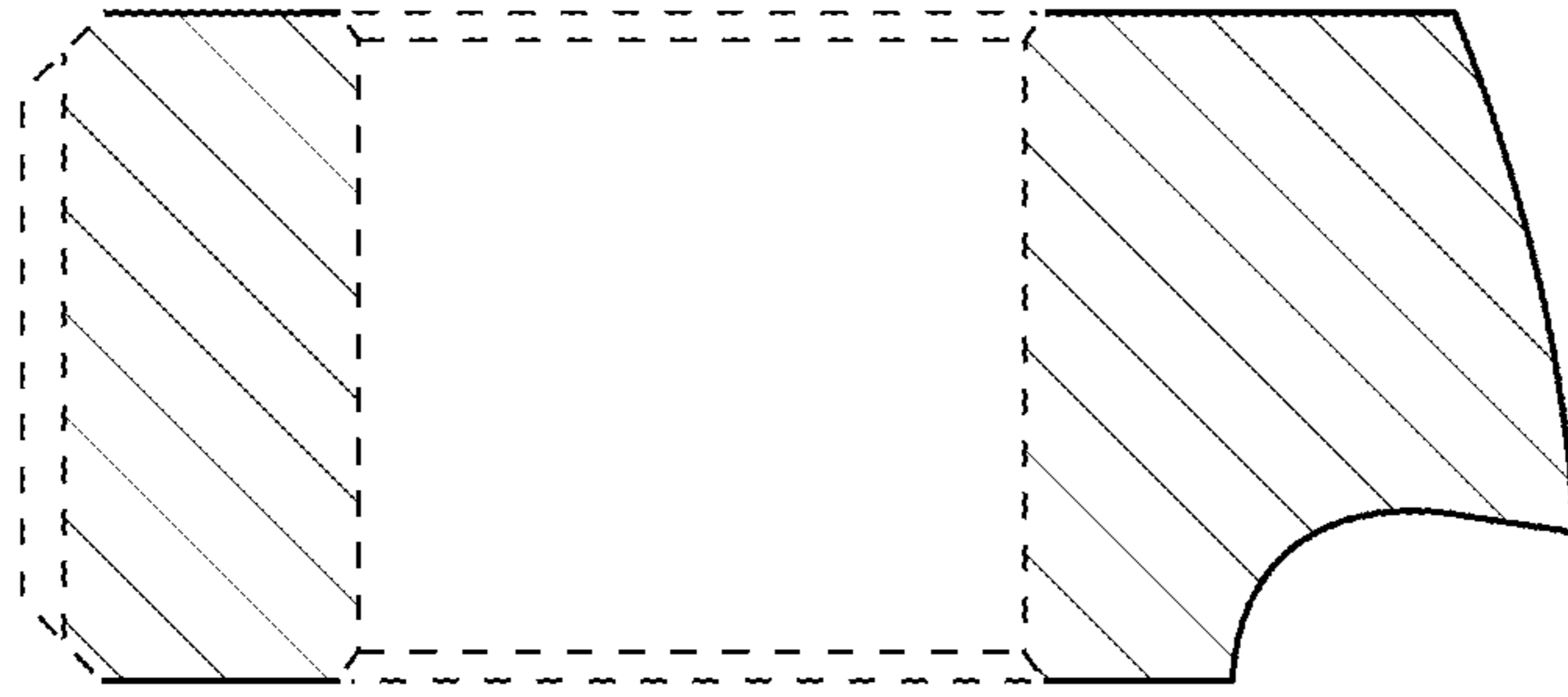


FIG. 10

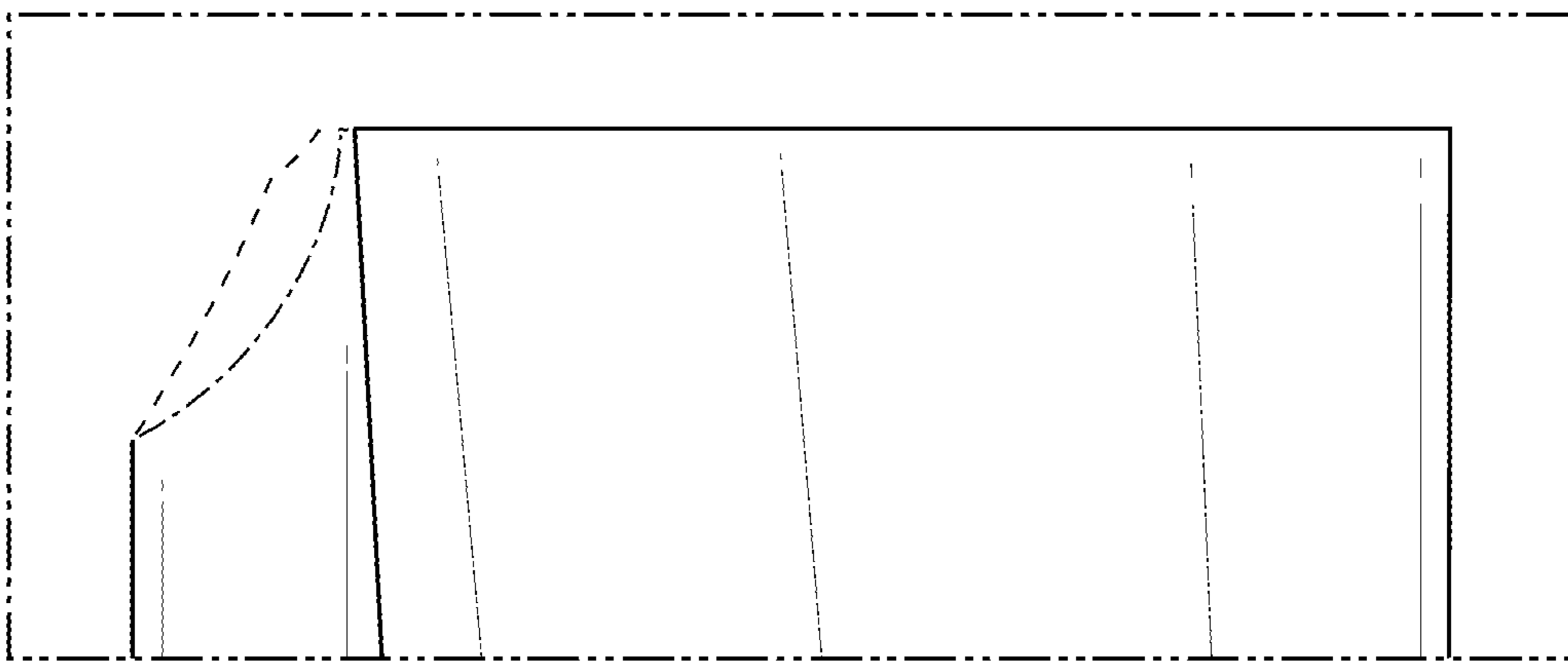


FIG. 9