

US00D960943S

(12) **United States Design Patent** (10) **Patent No.:** **US D960,943 S**
Schwamborn (45) **Date of Patent:** **** Aug. 16, 2022**

(54) **GRINDING TOOL**
(71) Applicant: **Schwamborn Gerätebau GmbH,**
Wangen (DE)
(72) Inventor: **Eckhart Schwamborn,** Ugingen (DE)
(73) Assignee: **Schwamborn Gerätebau GmbH,**
Wangen (DE)

D521,031 S * 5/2006 Thysell D15/126
D522,543 S * 6/2006 Thysell D15/126
D682,893 S * 5/2013 Bergstrand D15/126
D763,932 S * 8/2016 Popov D15/126
D783,064 S * 4/2017 Popov D15/126
D783,065 S * 4/2017 Popov D15/126
D783,066 S * 4/2017 Popov D15/126
D783,067 S * 4/2017 Popov D15/126
D783,068 S * 4/2017 Popov D15/126
D797,824 S * 9/2017 Ruan D15/126

(**) Term: **15 Years**

* cited by examiner

(21) Appl. No.: **35/511,244**

Primary Examiner — Richard E Chilcot

(22) Filed: **Dec. 21, 2020**

(74) *Attorney, Agent, or Firm* — Jason H. Vick; Sheridan Ross, PC

(80) **Hague Agreement Data**

Int. Filing Date: **Dec. 21, 2020**
Int. Reg. No.: **DM/212323**
Int. Reg. Date: **Dec. 21, 2020**
Int. Reg. Pub. Date: **Jan. 29, 2021**

(57) **CLAIM**

The ornamental design for a grinding tool, as shown and described.

(51) **LOC (13) Cl.** **15-09**

(52) **U.S. Cl.**
USPC **D15/126**
CPC **B24D 5/02 (2013.01)**

DESCRIPTION

(58) **Field of Classification Search**
USPC D15/125, 126, 138, 139; D8/70, 71, 90,
D8/98; D21/485, 488, 499, 500, 503,
D21/504
CPC B24D 5/02; B24D 5/06; B24D 7/06
See application file for complete search history.

- 1. Grinding tool
- 1.1 : Perspective
- 1.2 : Bottom
- 1.3 : Left
- 1.4 : Right
- 1.5 : Top
- 1.6 : Front
- 1.7 : Back

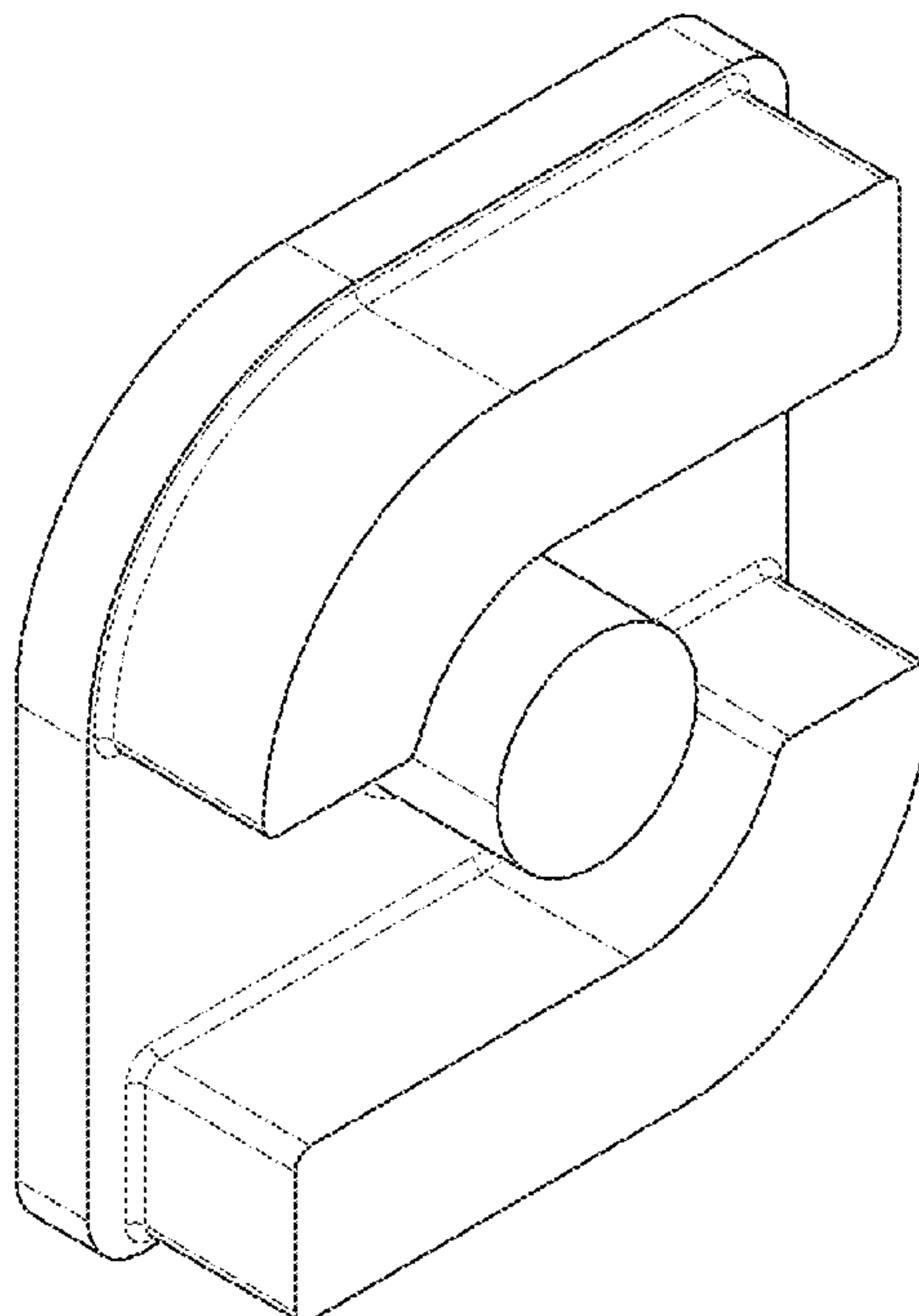
The broken lines depict portions of the grinding tool that are not considered part of the claimed design.

(56) **References Cited**

U.S. PATENT DOCUMENTS

D508,505 S * 8/2005 Thysell D15/126
D519,530 S * 4/2006 Thysell D15/126

1 Claim, 7 Drawing Sheets



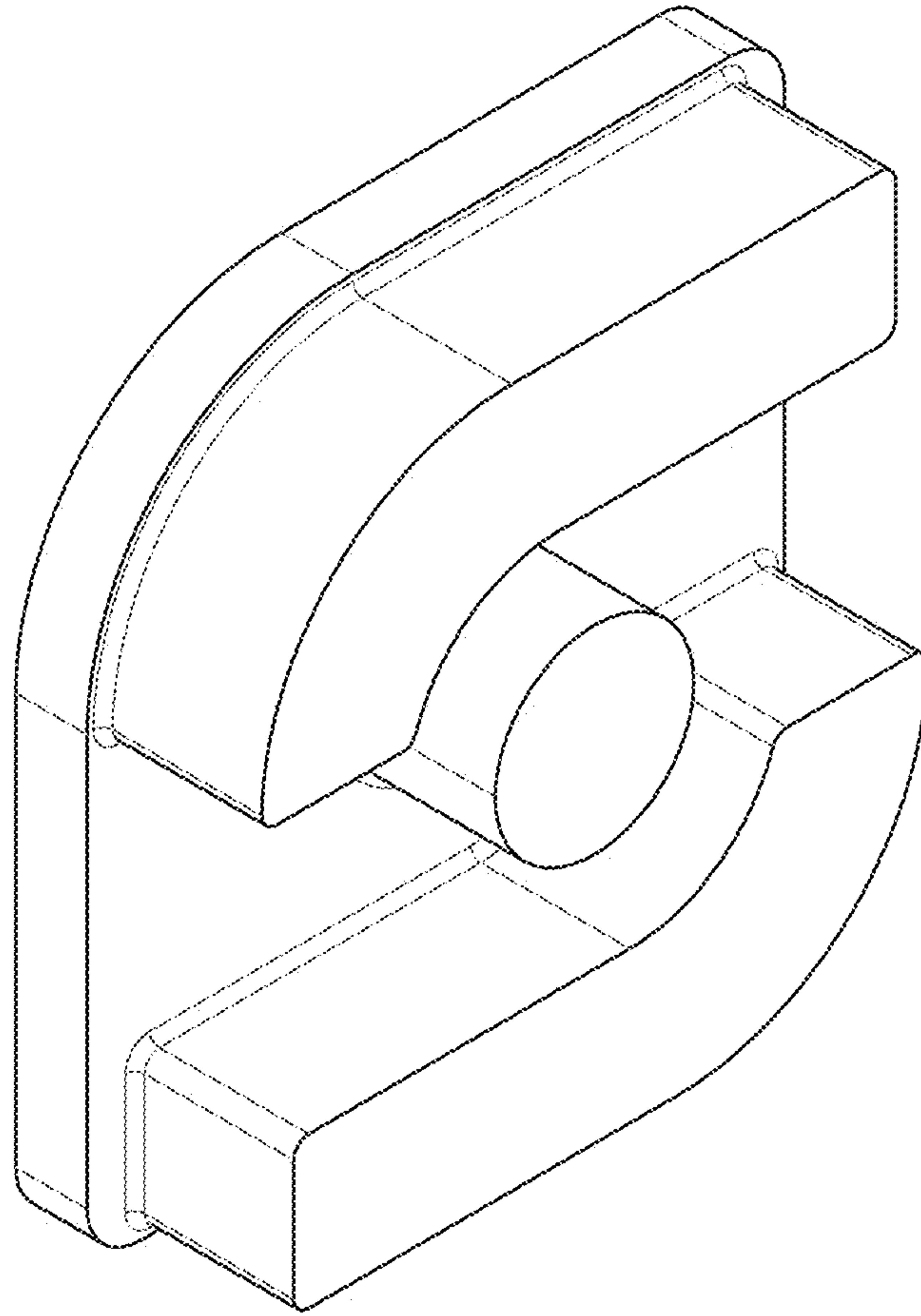


Fig. 1.1

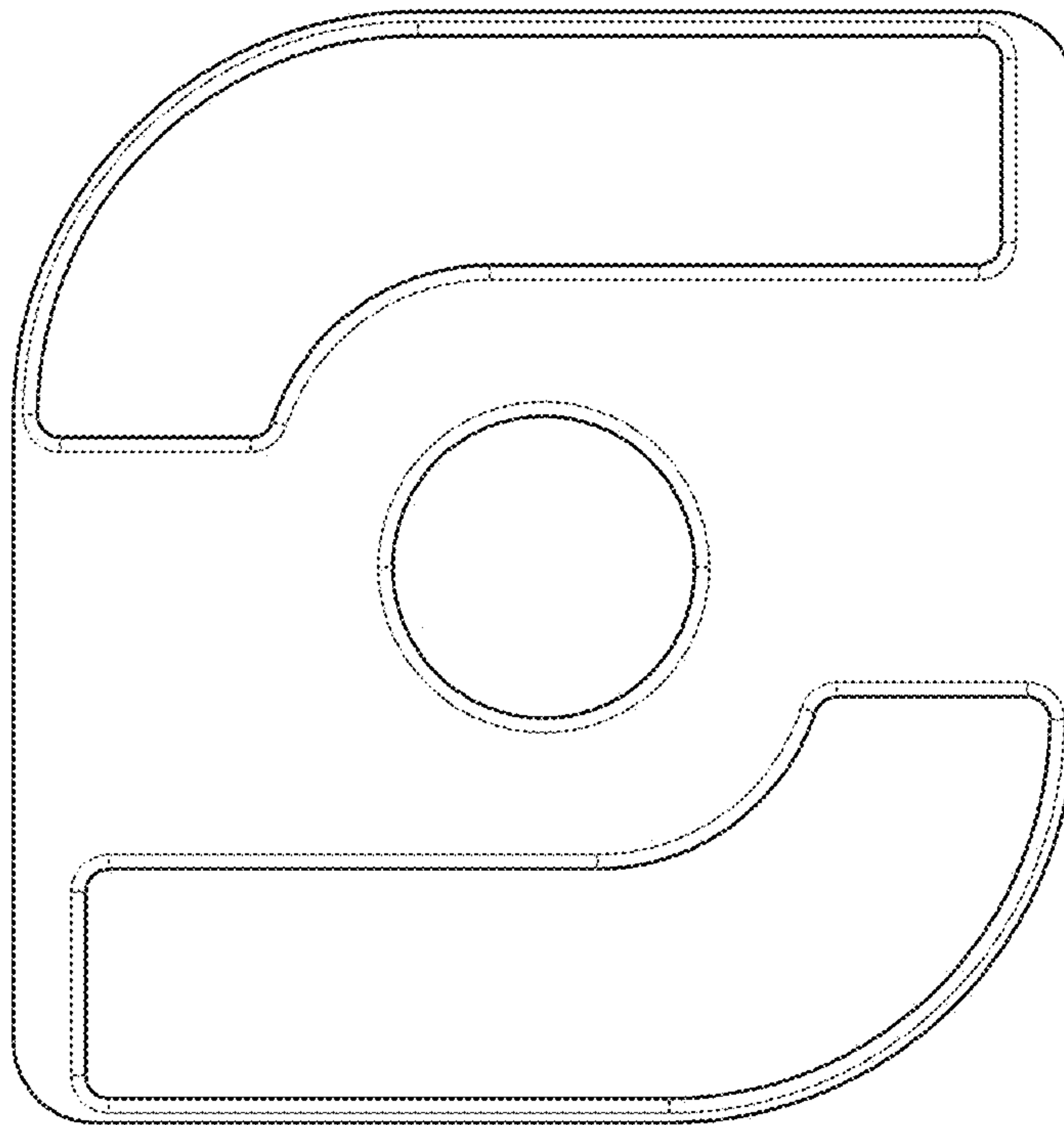


Fig. 1.2

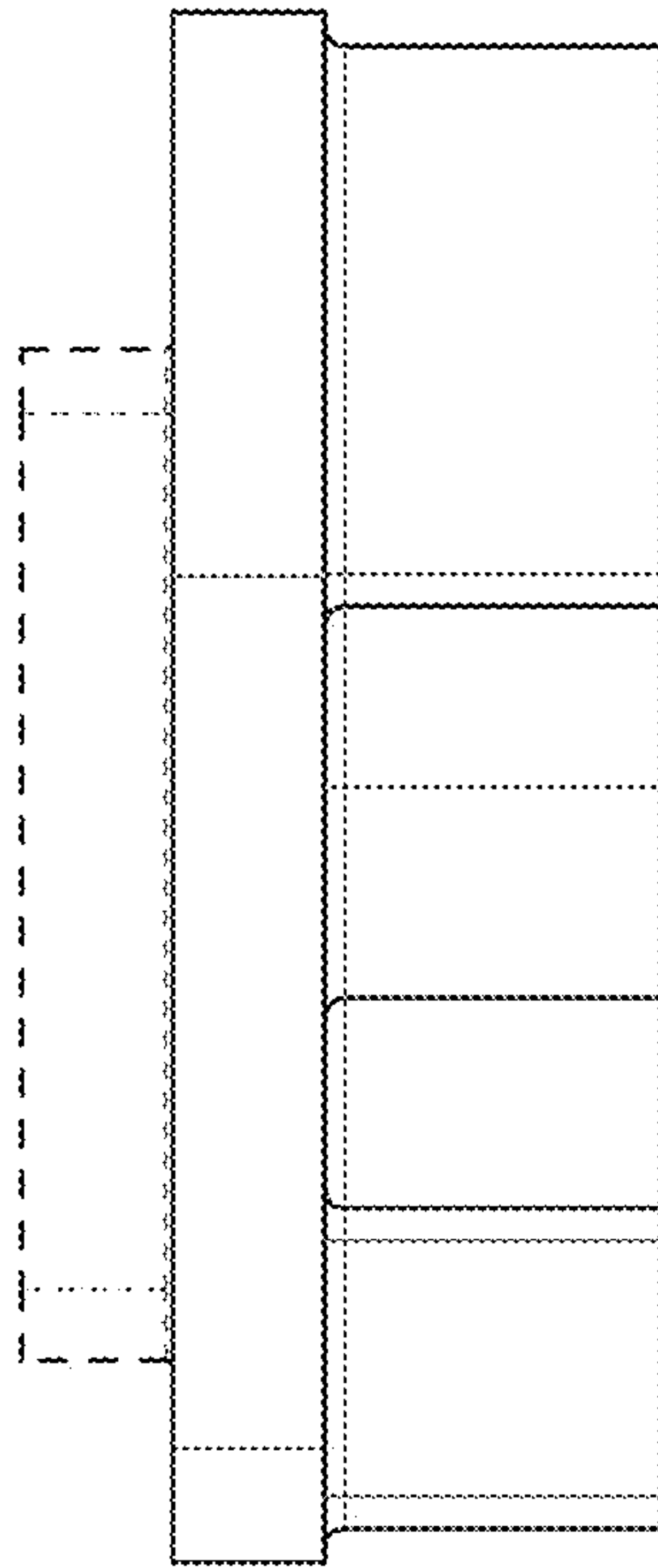


Fig. 1.3

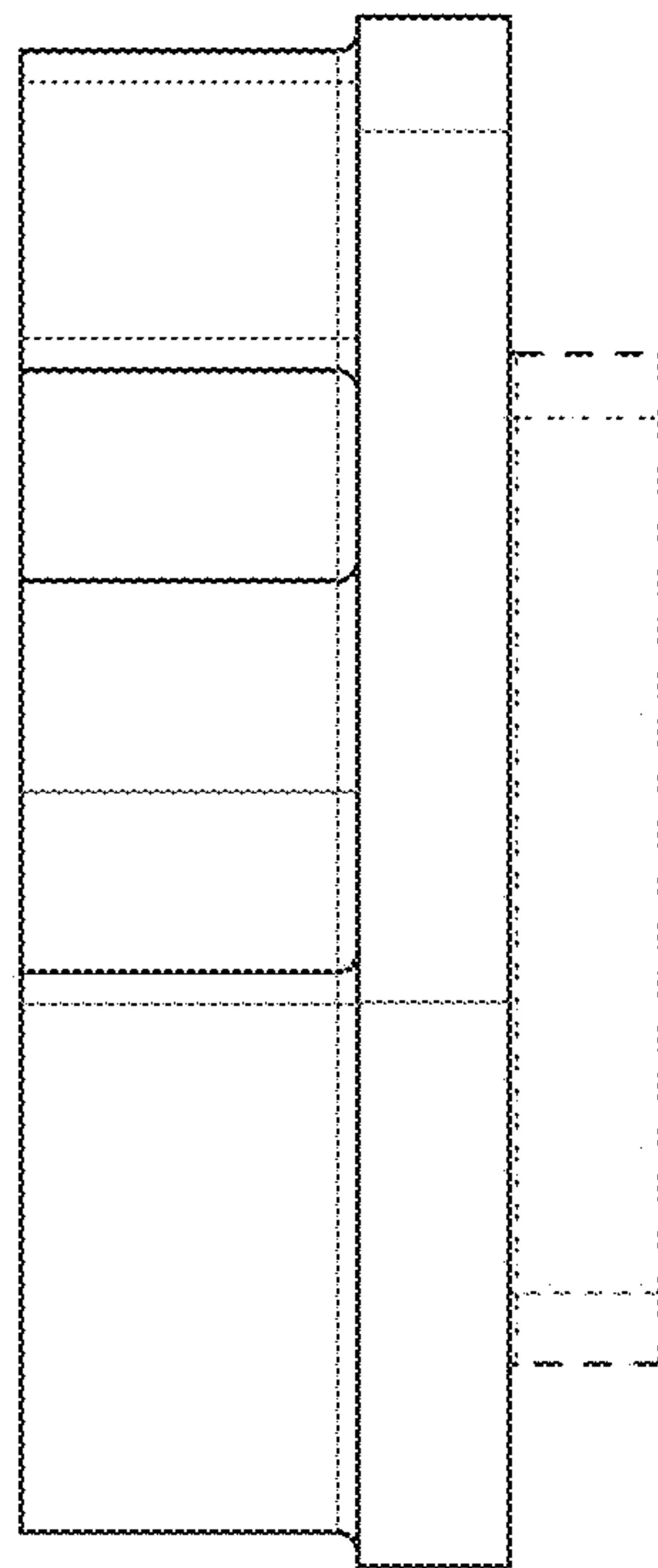


Fig. 1.4

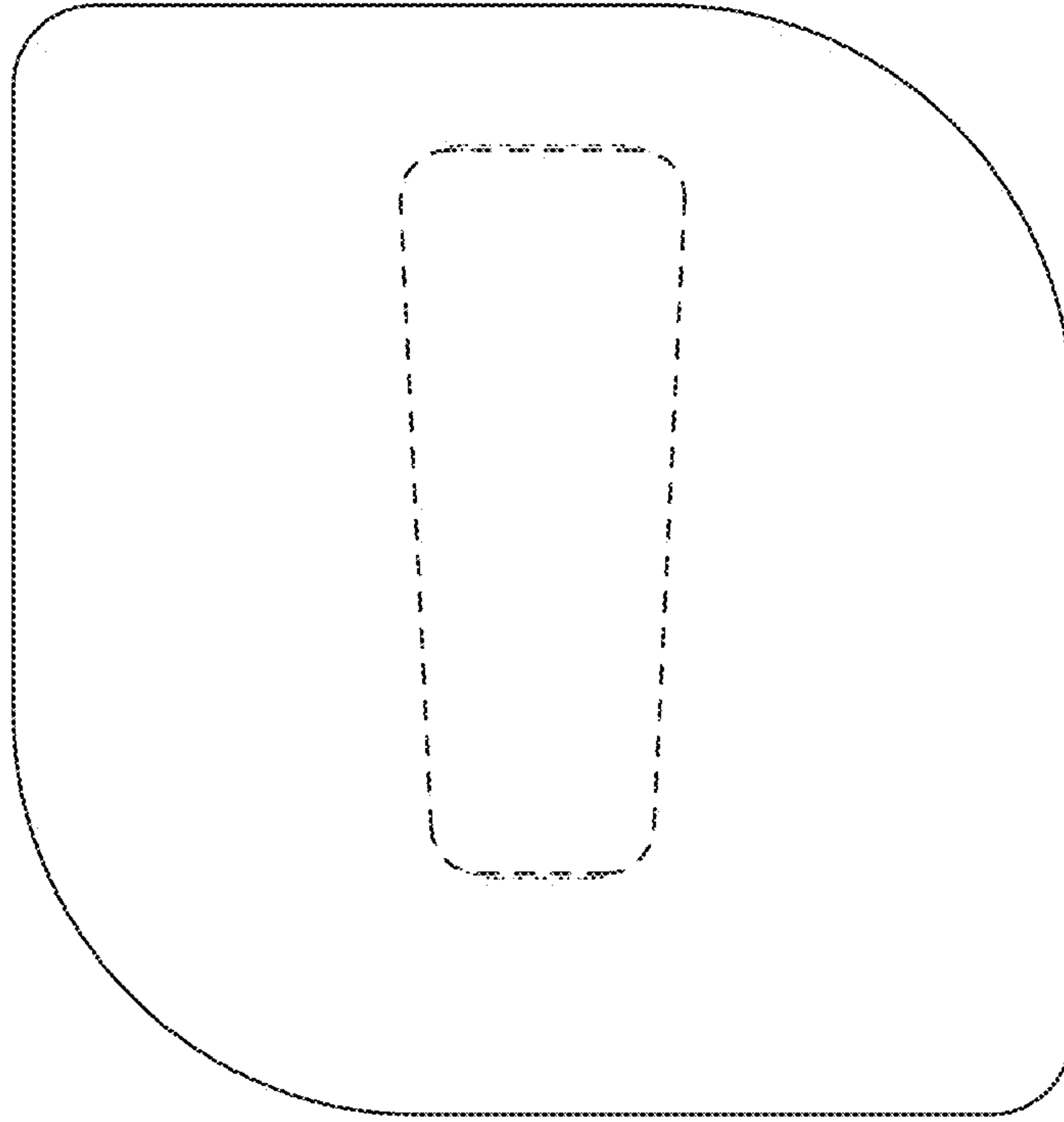


Fig. 1.5

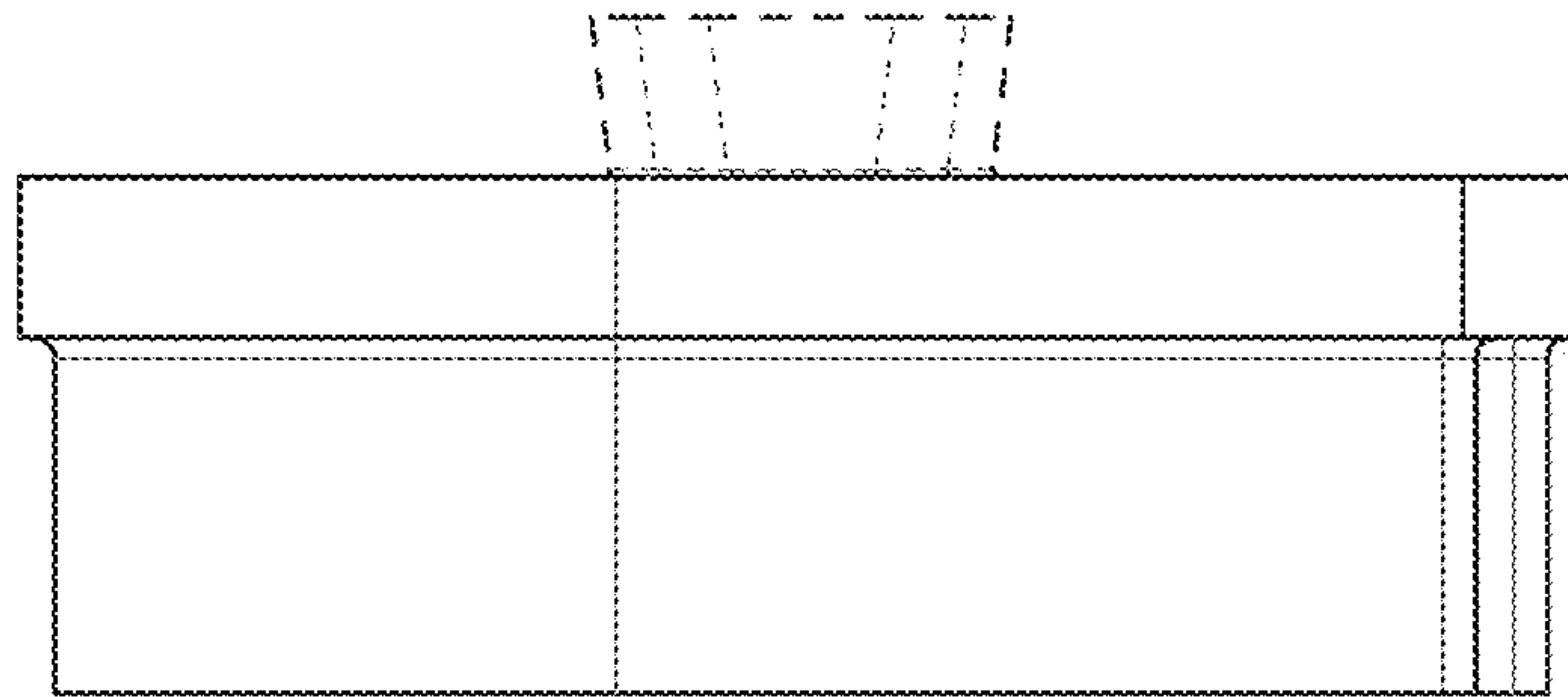


Fig. 1.6

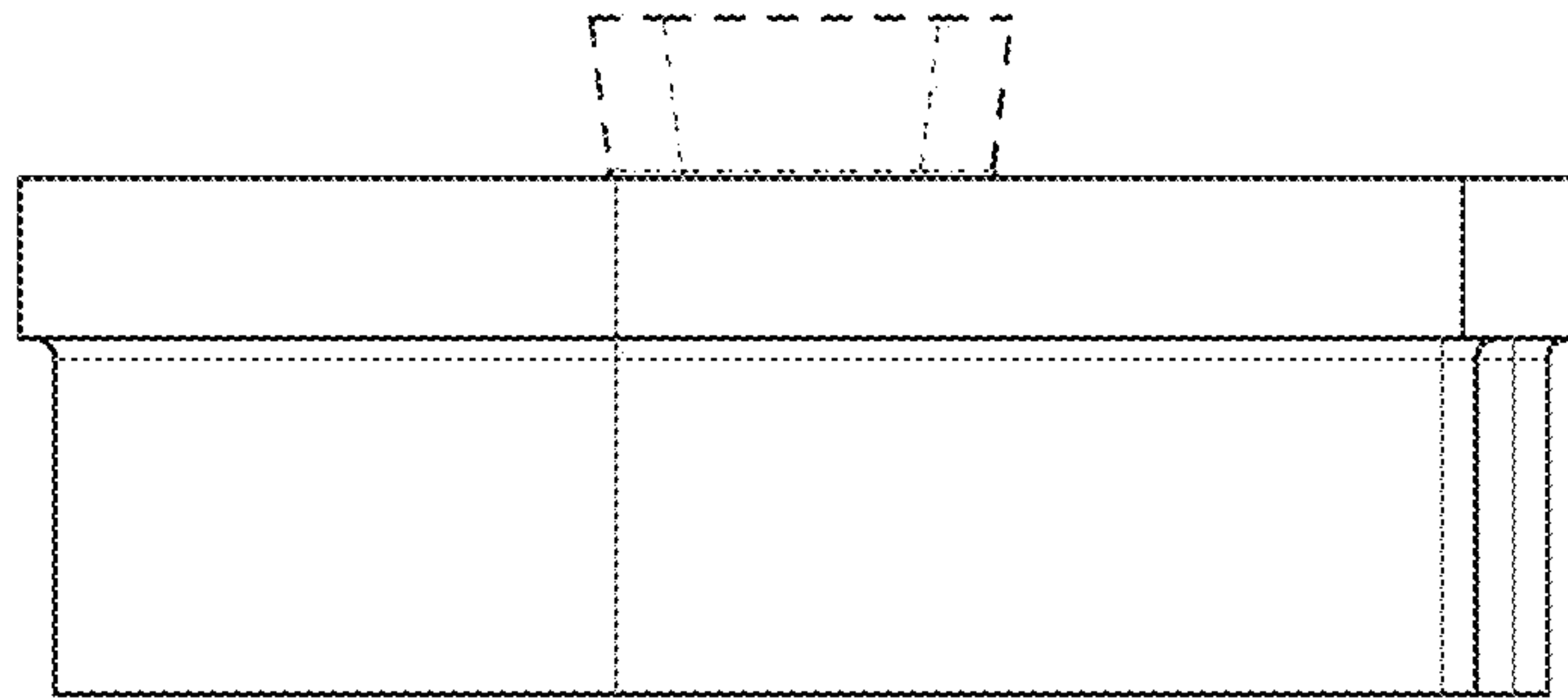


Fig. 1.7