



US00D960942S

(12) **United States Design Patent** (10) **Patent No.:** **US D960,942 S**
Liu (45) **Date of Patent:** **** Aug. 16, 2022**

- (54) **WALL POLISHER**
- (71) Applicant: **Shenzhen Zestnation Technology Co., Ltd.**, Shenzhen (CN)
- (72) Inventor: **Liting Liu**, Ji'an (CN)
- (**) Term: **15 Years**
- (21) Appl. No.: **29/800,565**
- (22) Filed: **Jul. 21, 2021**
- (51) **LOC (13) Cl.** **15-09**
- (52) **U.S. Cl.**
USPC **D15/124; D8/62**
- (58) **Field of Classification Search**
USPC D15/122, 124; D8/61, 62, 90; D32/15, D32/16, 19
CPC A47L 11/12; A47L 11/14; A47L 11/16; B24B 55/10; B24B 55/102; B24B 55/052; B24B 47/12; B24B 7/18; B24B 7/184; B25G 1/04
See application file for complete search history.

(56) **References Cited**

U.S. PATENT DOCUMENTS

D147,890 S *	11/1947	Clausen	D32/19
D190,409 S *	5/1961	Scheid	D32/19
5,239,783 A *	8/1993	Matechuk	B24B 45/006 451/354
5,545,080 A *	8/1996	Clowers	B24B 7/184 451/354
5,797,157 A *	8/1998	Gregg	A47L 11/4036 15/49.1
D498,027 S *	11/2004	Alsrub	D32/19
D525,001 S *	7/2006	Vassanelli	D32/15
D530,462 S *	10/2006	Davis	D32/15
D694,480 S *	11/2013	Thomas	D32/15

(Continued)

OTHER PUBLICATIONS

Handife, Drywall Sander Handife 7A 800W Electric Foldable Wall Sander with Double-Deck LED Lights, (dated first available Oct. 1,

2020), Amazon.com, URL:<https://www.amazon.com/dp/B08M5S6JMX> (Year: 2020).*

(Continued)

Primary Examiner — Calvin E Vansant
Assistant Examiner — Mark T. Philipps

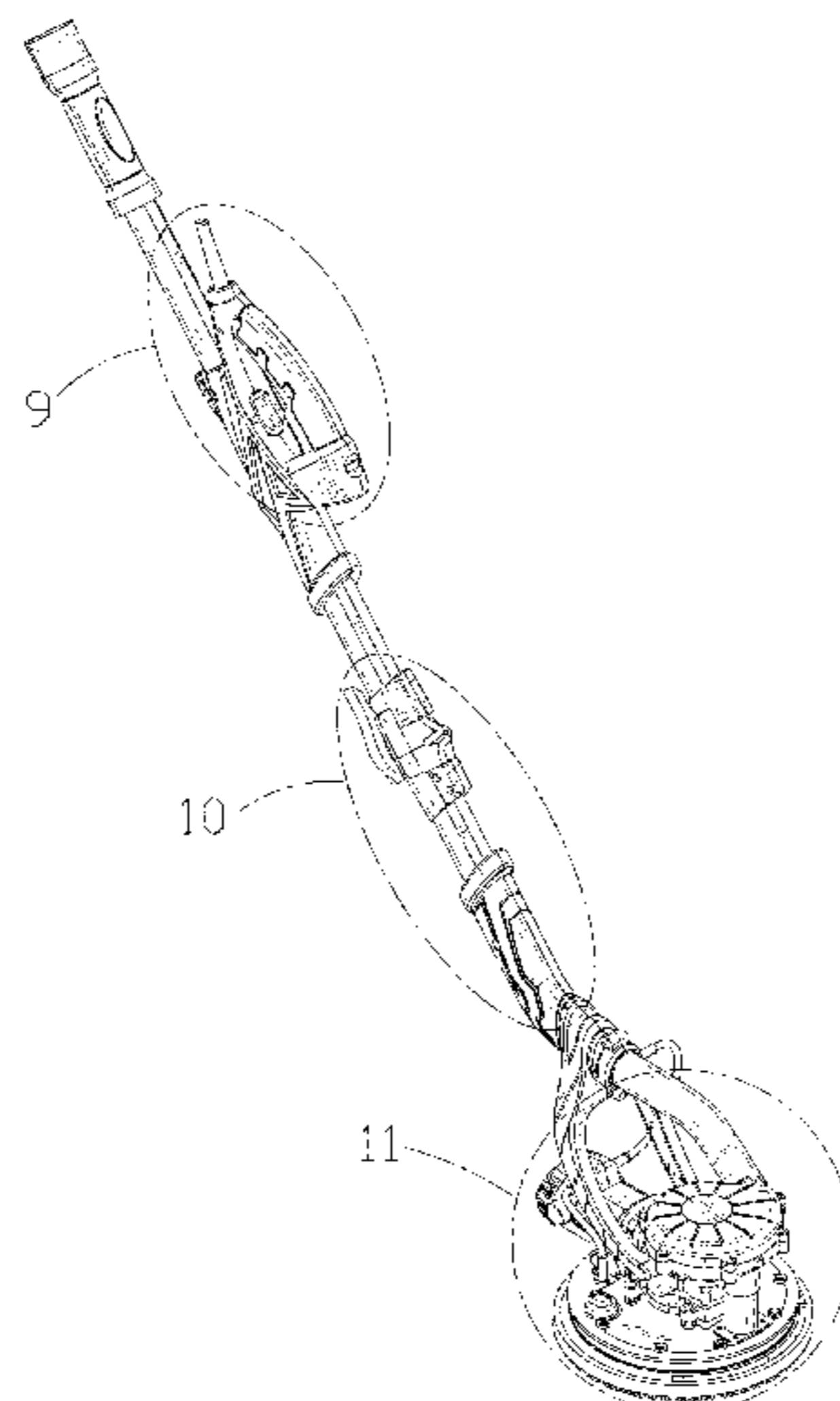
(57) **CLAIM**

The ornamental design for a wall polisher, as shown and described.

DESCRIPTION

FIG. 1 is a front and top perspective view of a wall polisher, showing my new design;
 FIG. 2 is a rear and bottom perspective view thereof;
 FIG. 3 is a front elevation view thereof;
 FIG. 4 is a rear elevation view thereof;
 FIG. 5 is a left side elevation view thereof;
 FIG. 6 is a right side elevation view thereof;
 FIG. 7 is a top plan view thereof;
 FIG. 8 is a bottom plan view thereof;
 FIG. 9 is an enlarged view of a portion labeled of a portion indicated with numeric 9 in FIG. 1;
 FIG. 10 is an enlarged view of a portion labeled of a portion indicated with numeric 10 in FIG. 1;
 FIG. 11 is an enlarged view of a portion labeled of a portion indicated with numeric 11 in FIG. 1;
 FIG. 12 is an enlarged view of a portion labeled of a portion indicated with numeric 12 in FIG. 2;
 FIG. 13 is an enlarged view of a portion labeled, of a portion indicated with numeric 13 in FIG. 2; and,
 FIG. 14 is an enlarged view of a portion labeled of a portion indicated with numeric 14 in FIG. 2.
 The broken lines in the figures illustrate portions of the wall polisher that form no part of the claimed design. The dash dot dash lines in FIGS. 1, 2, 9, 10, 11, 12, 13 and 14 are for the purpose of depicting the cut line of the enlarged view and form no part of the claim.

1 Claim, 14 Drawing Sheets



(56)

References Cited

U.S. PATENT DOCUMENTS

D746,522 S * 12/2015 Erlich D32/15
D748,963 S * 2/2016 Roeck D8/62
D860,556 S 9/2019 Brown et al.
D906,778 S * 1/2021 Sabuncuoglu B24B 7/18
D8/62
D908,454 S * 1/2021 Youngblutt D8/62
D912,920 S * 3/2021 Tao D32/15
D929,199 S * 8/2021 Li D8/62
D938,247 S * 12/2021 Suzuki D8/62
2006/0073778 A1 * 4/2006 Phillips B24B 55/10
451/354
2010/0240286 A1 * 9/2010 Deshpande H02K 11/33
451/344
2021/0083556 A1 * 3/2021 Heimrich B25F 5/00

OTHER PUBLICATIONS

Zelcan, 800w Drywall Sander with Vacuum, Dustless Wall Pole Sander with 59-71" Extendable Handle, (dated first available Dec. 9, 2020), Amazon.com, URL:<<https://www.amazon.com/dp/B08Q3FTTVD>> (Year: 2020).*

CO-Z, 850W Drywall Sander with Vacuum Attachment Dust Collector, (dated first available Dec. 14, 2020), Amazon.com, URL:<<https://www.amazon.com/CO-Z-Attachment-Collector-Electric-Extendable/dp/B08QHLQ5QK>> (Year: 2020).*

* cited by examiner

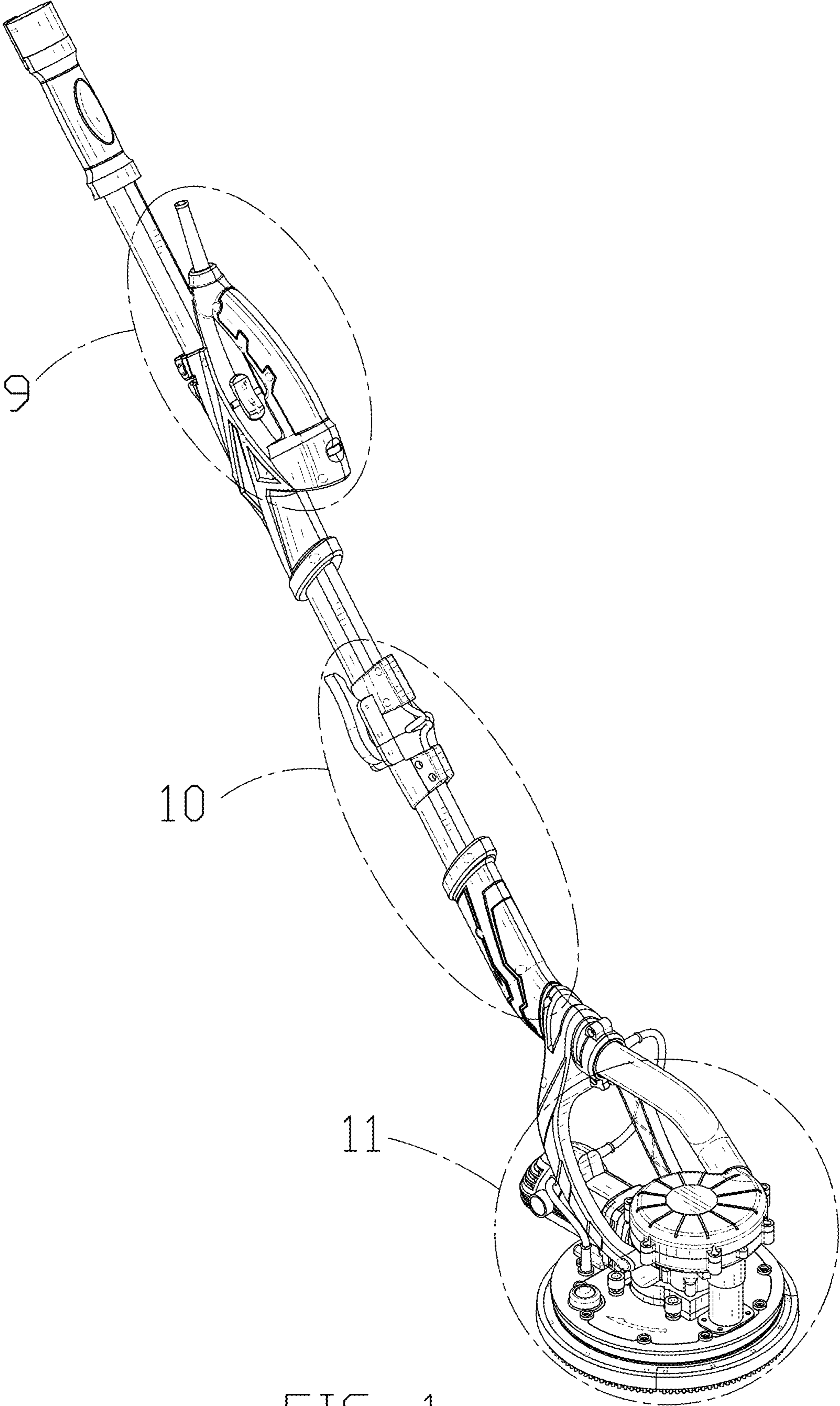


FIG. 1

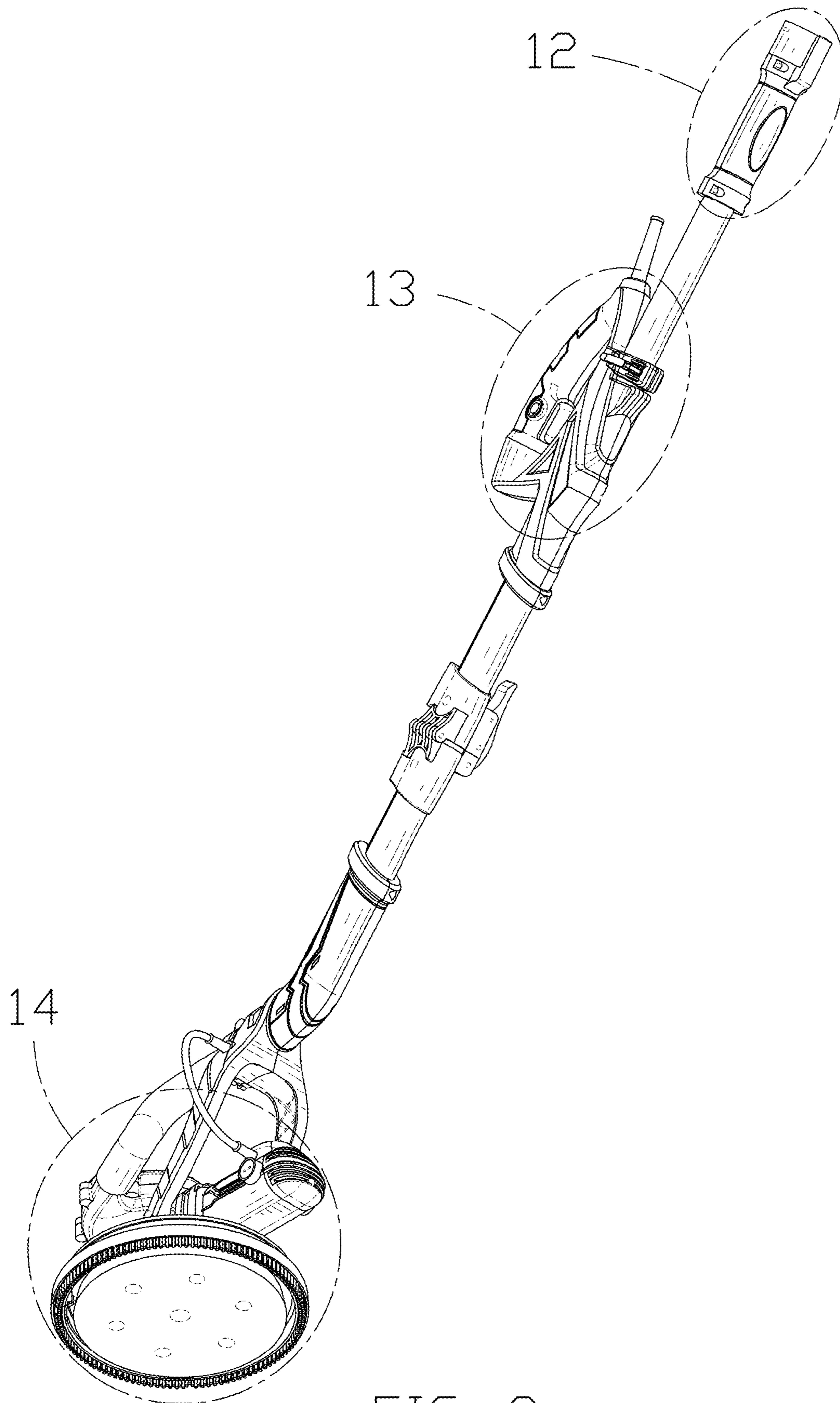


FIG. 2

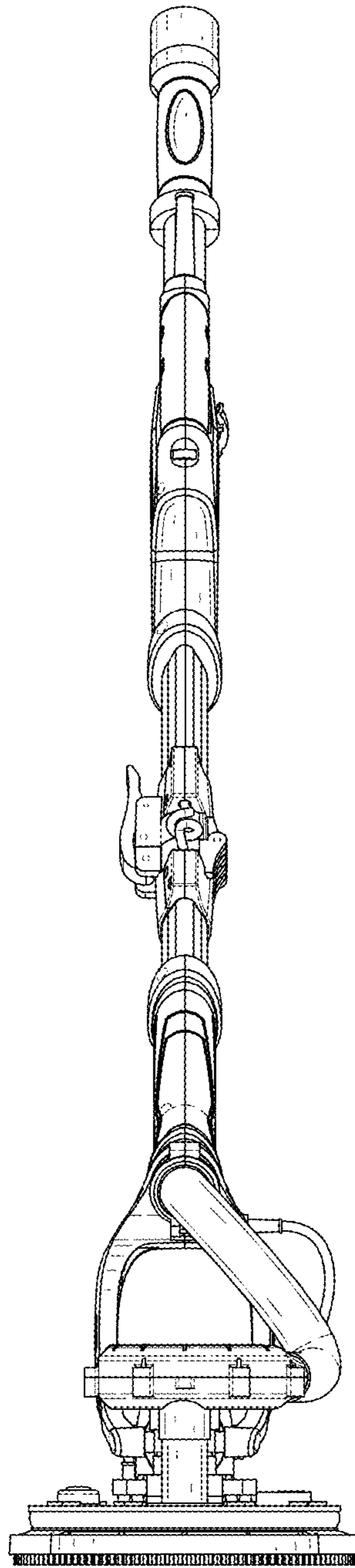


FIG. 3

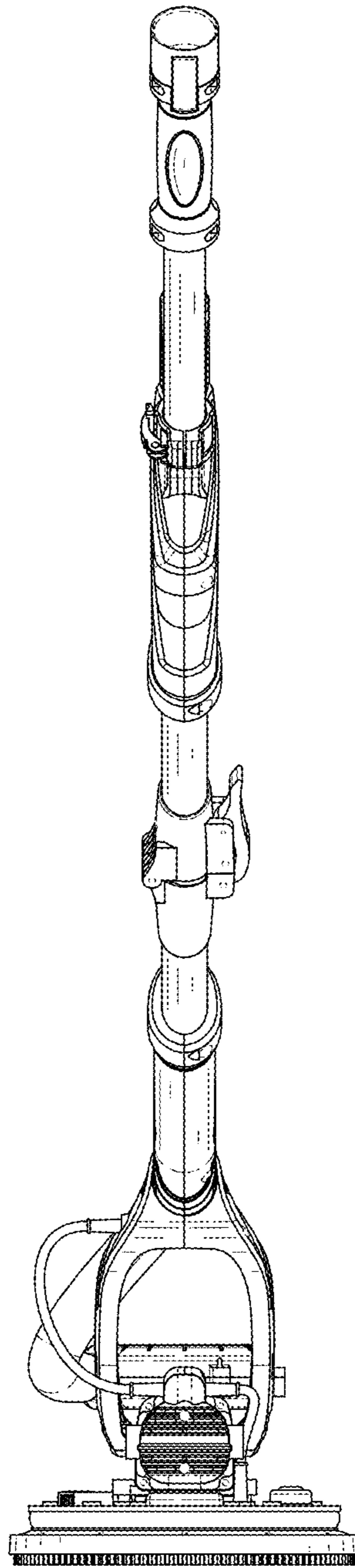


FIG. 4

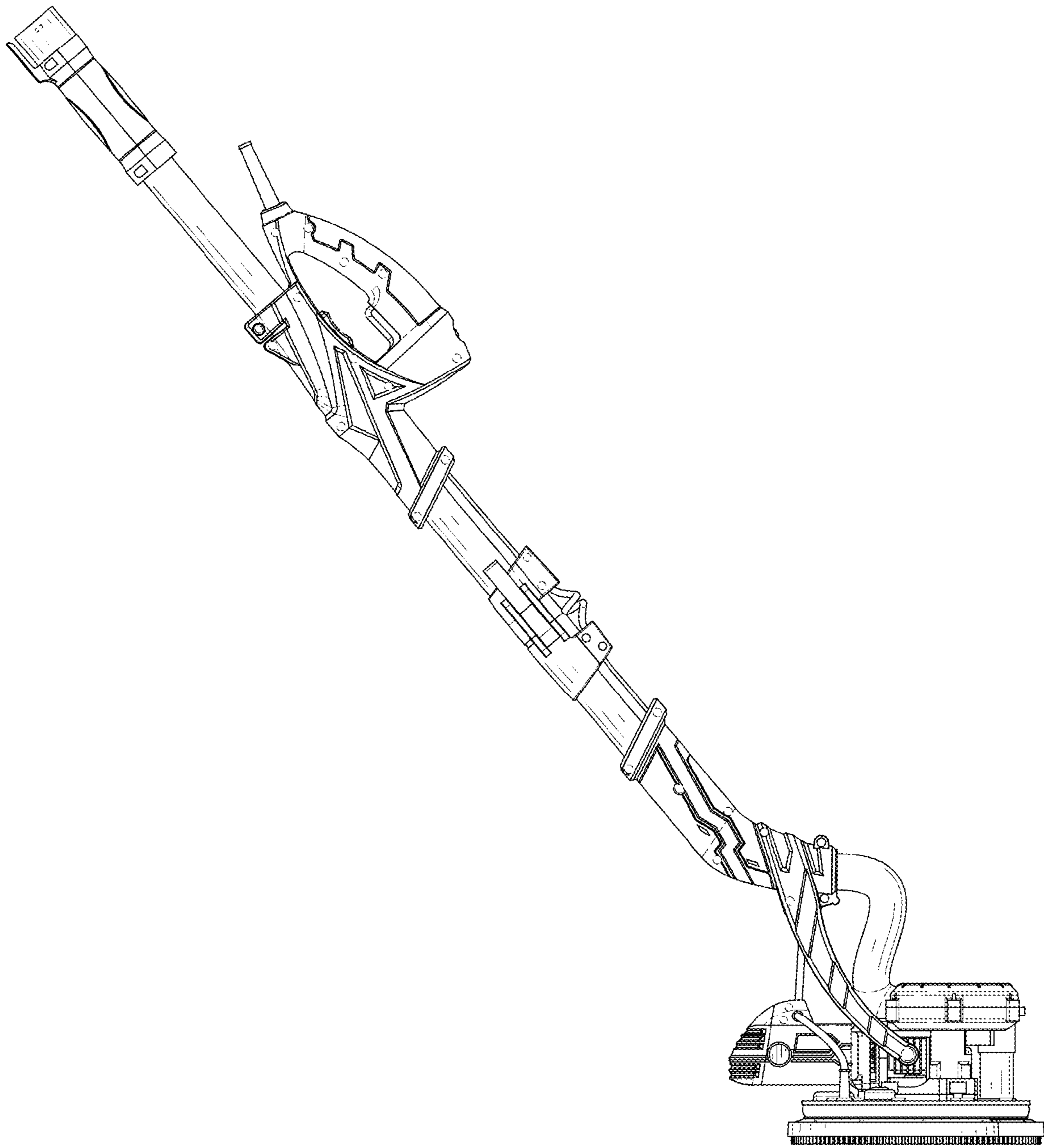


FIG. 5

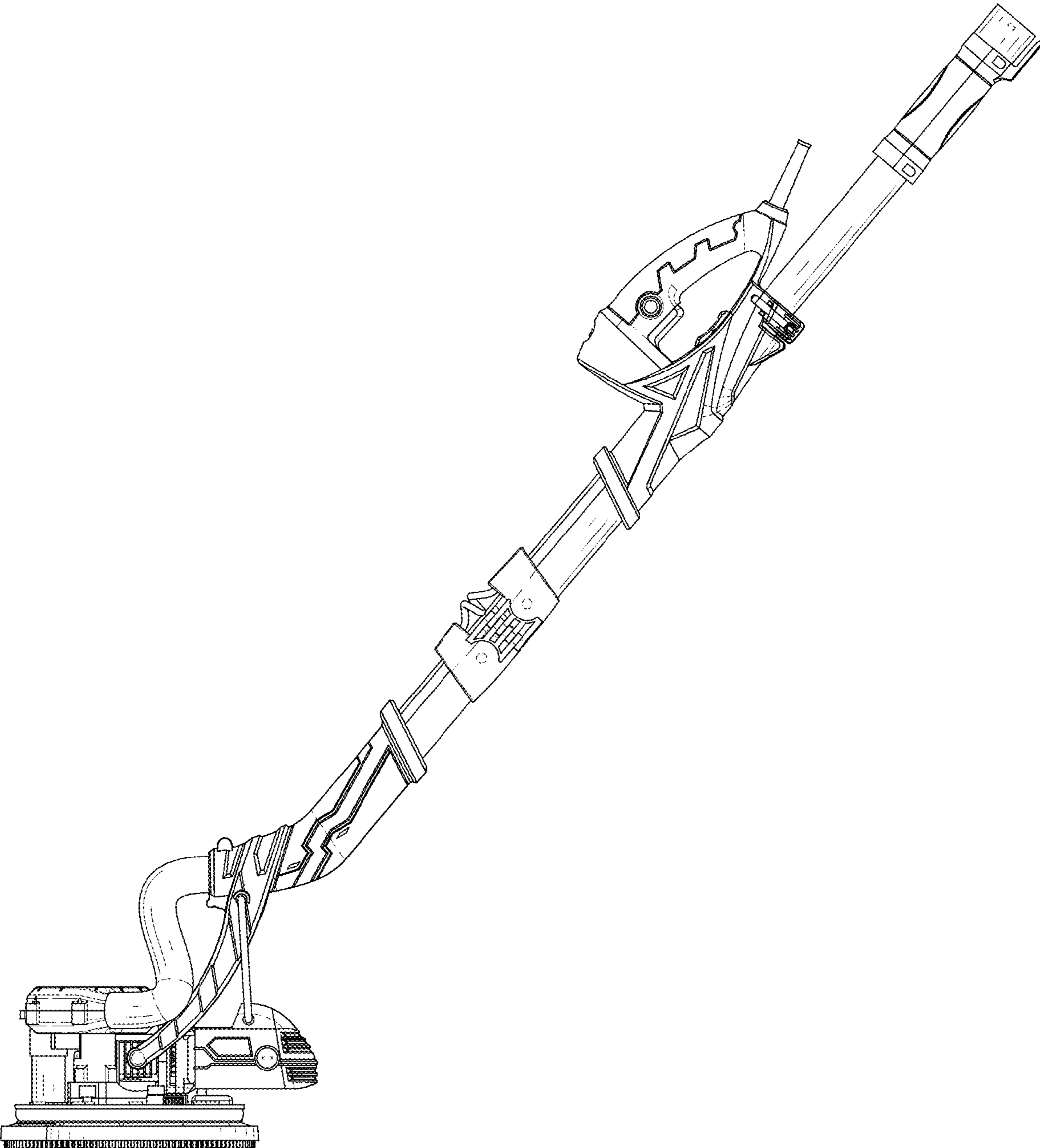


FIG. 6

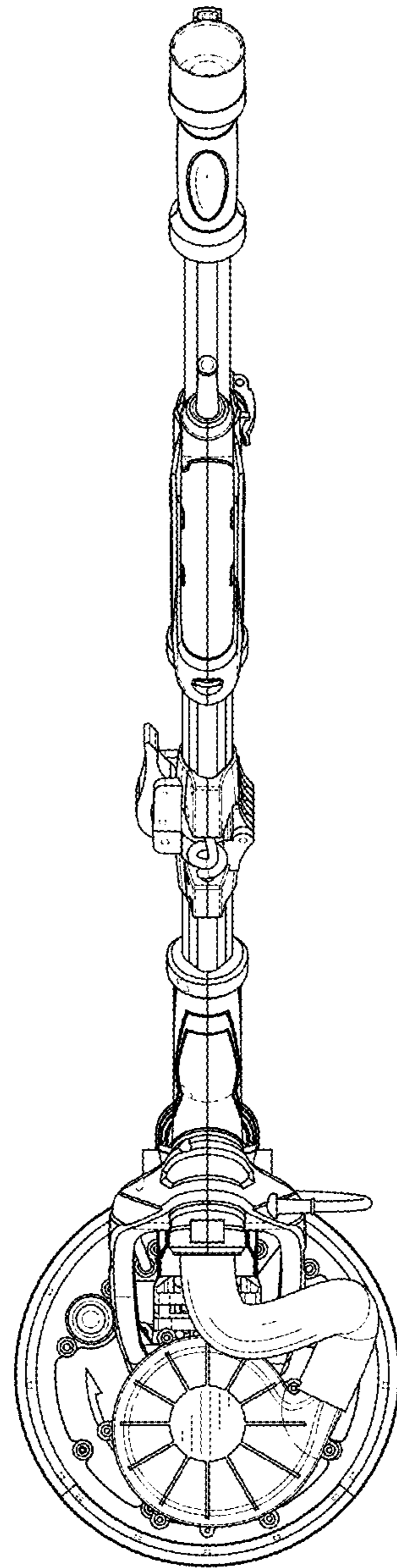


FIG. 7

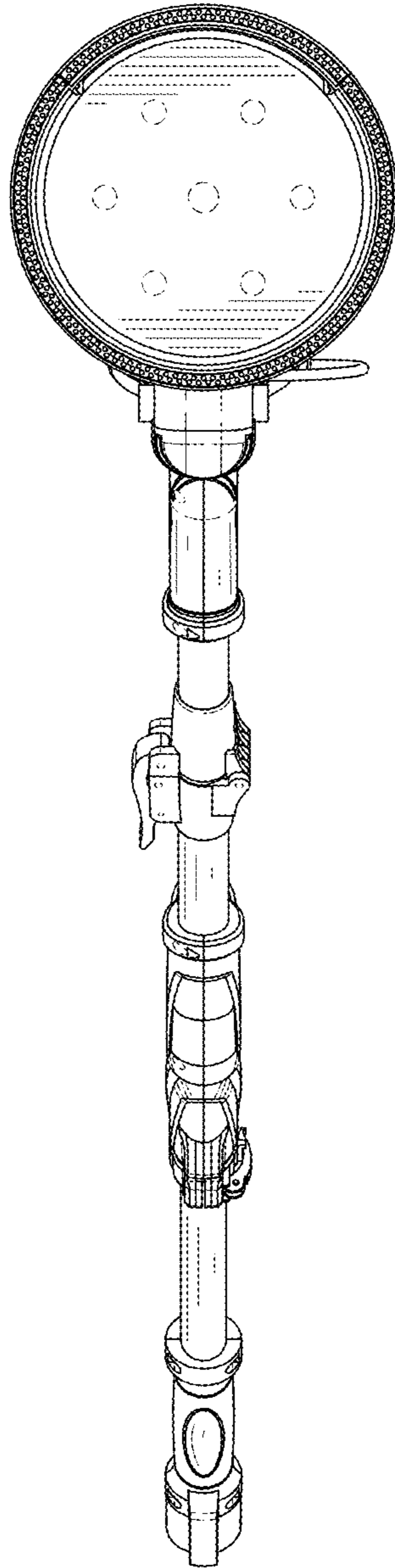


FIG. 8

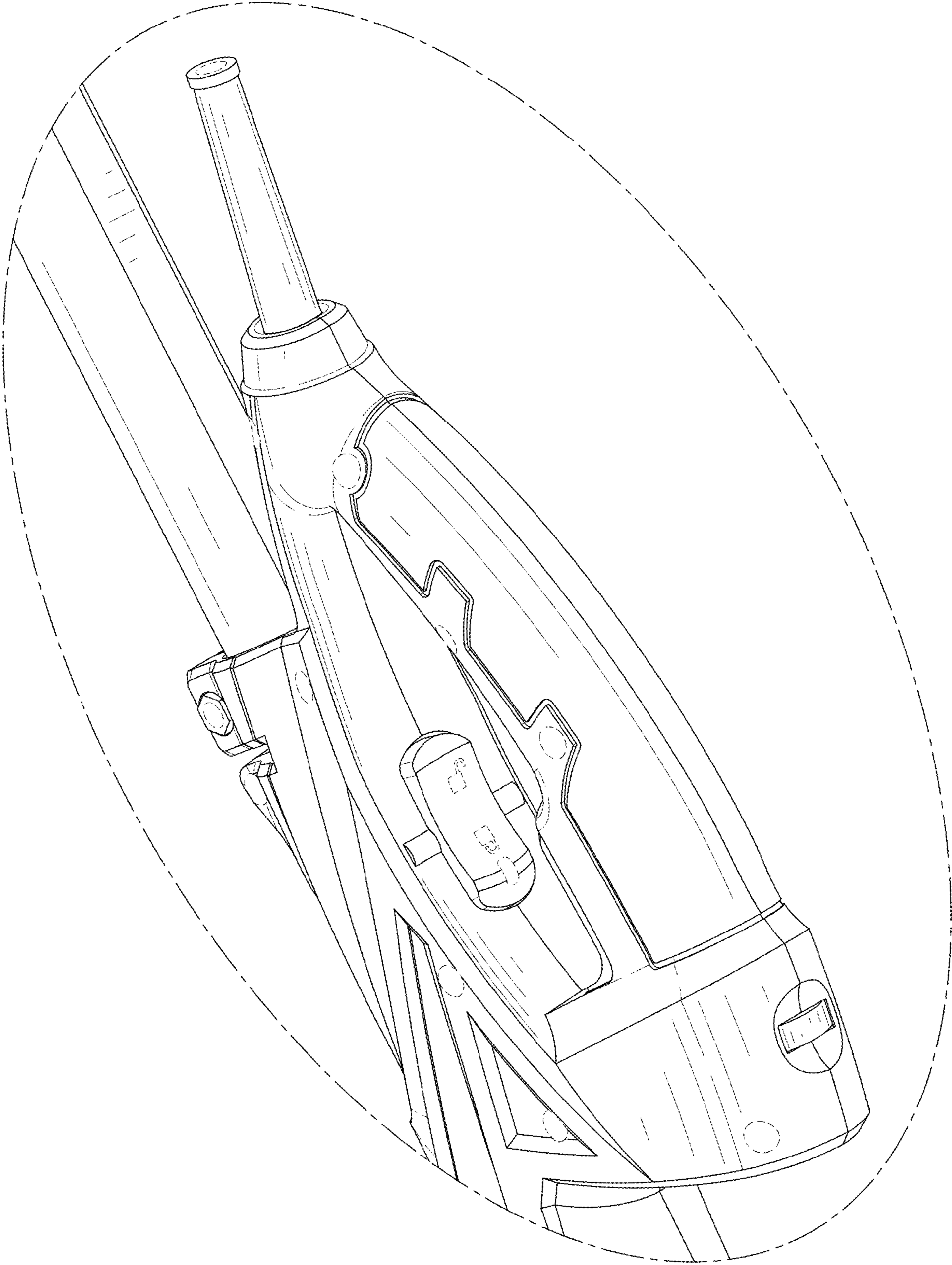


FIG. 9

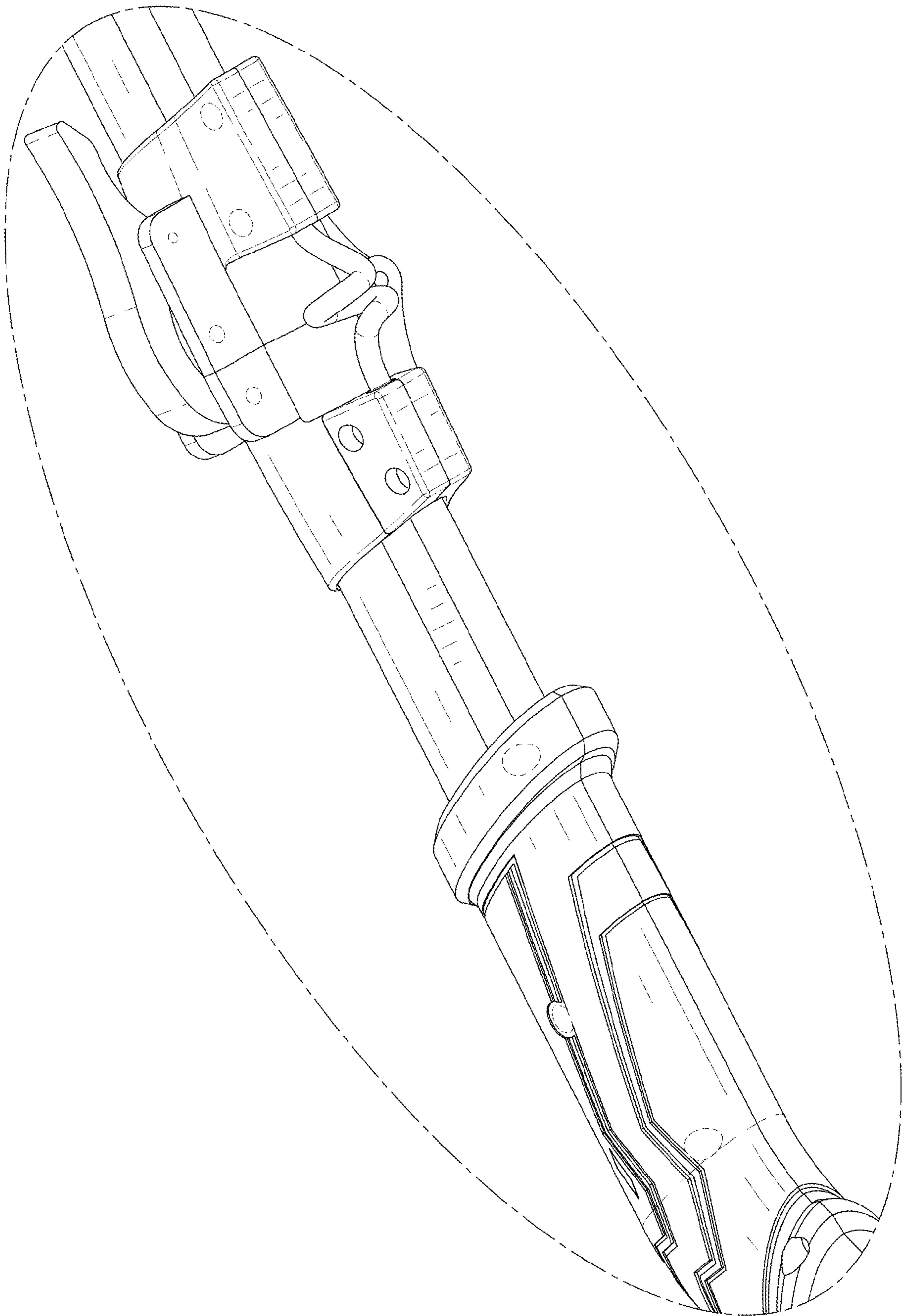


FIG. 10

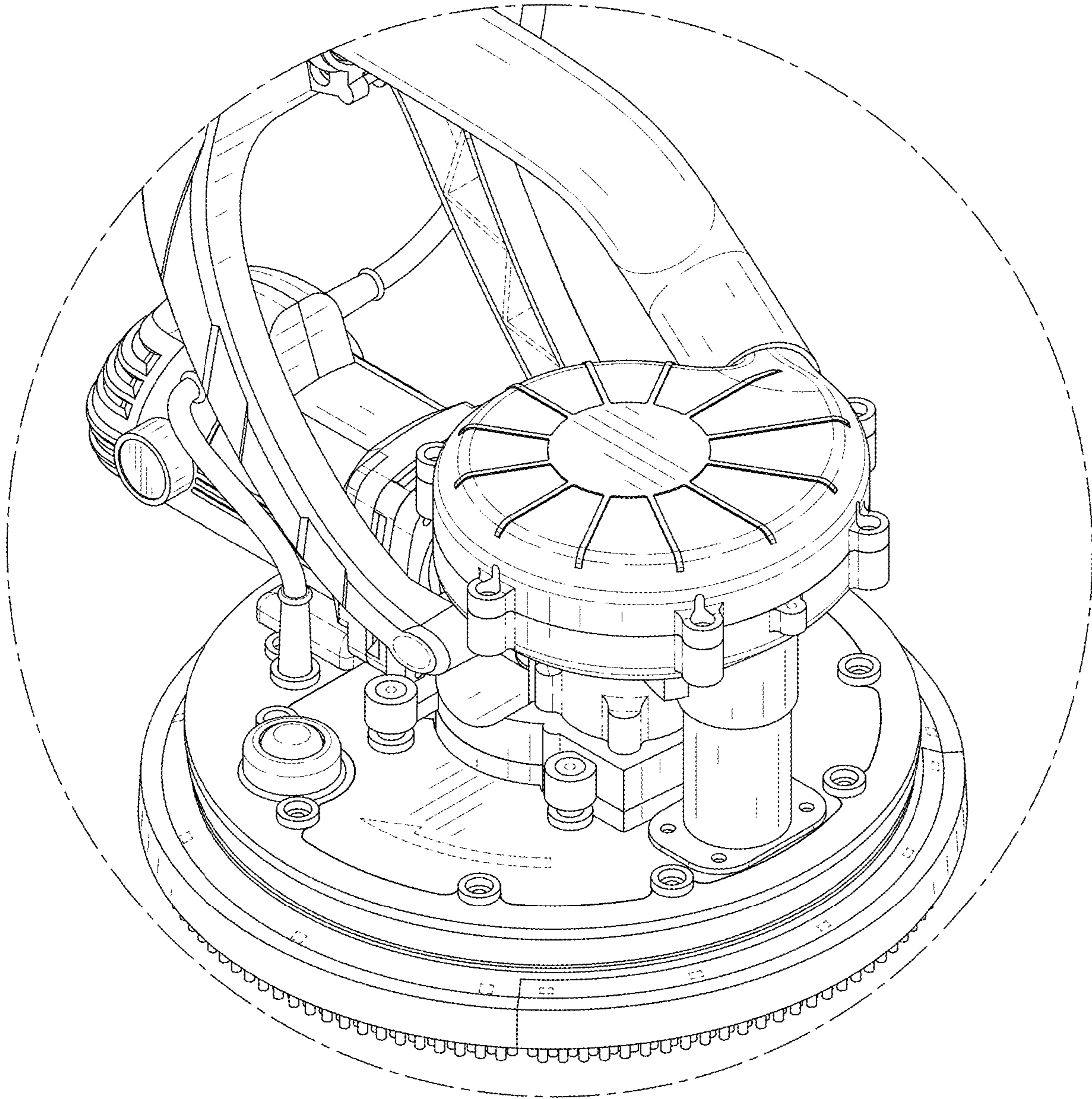


FIG. 11

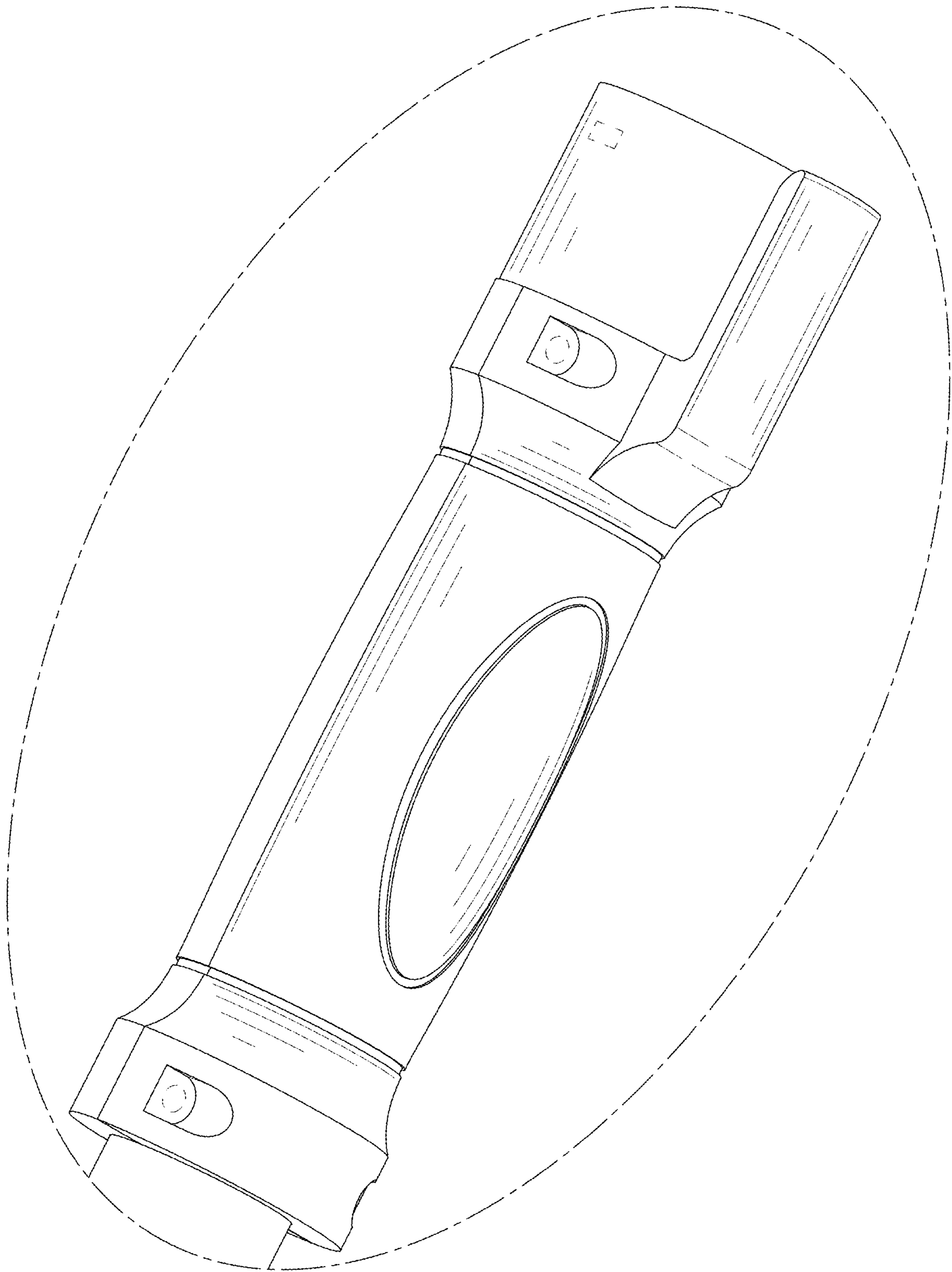


FIG. 12

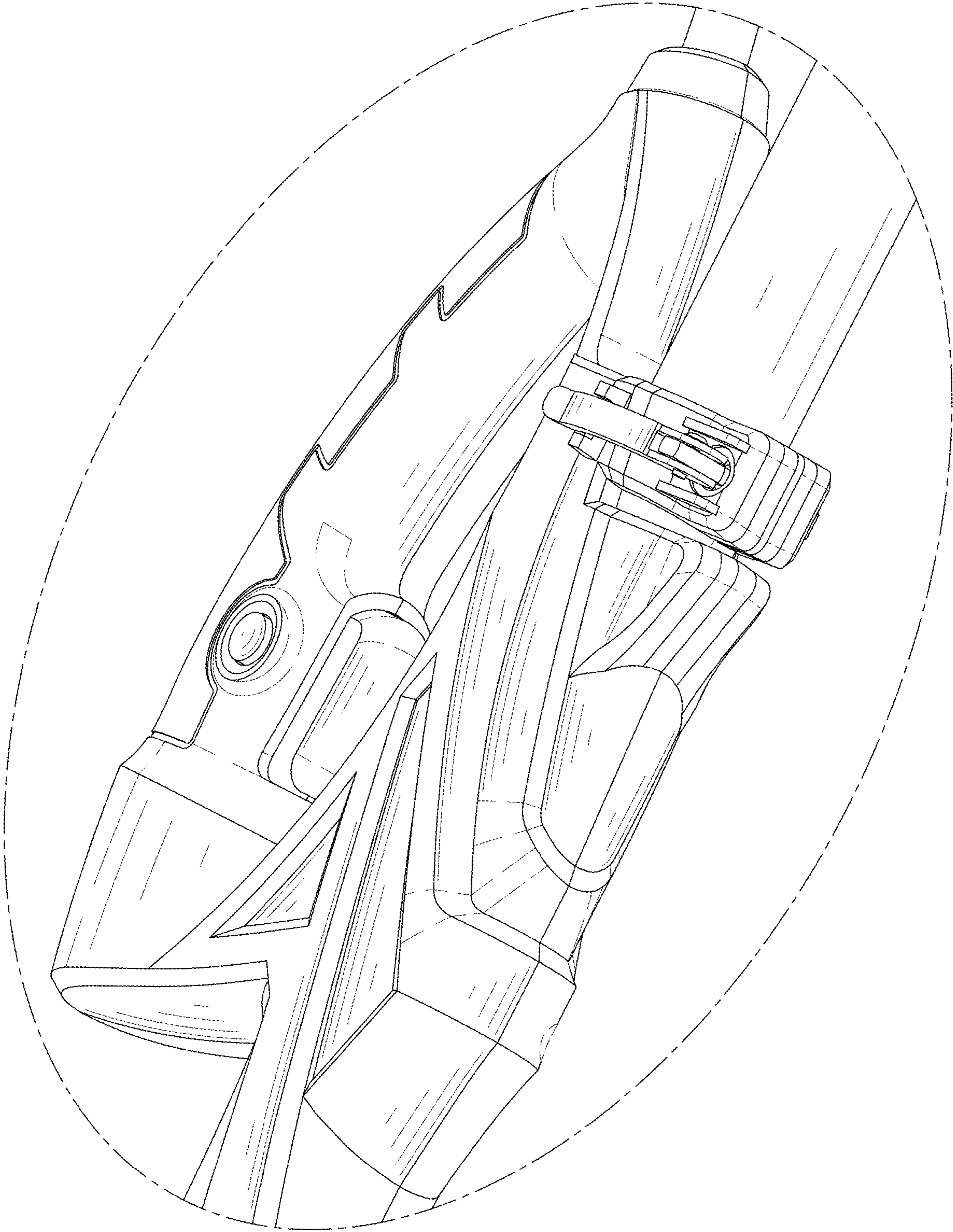


FIG. 13

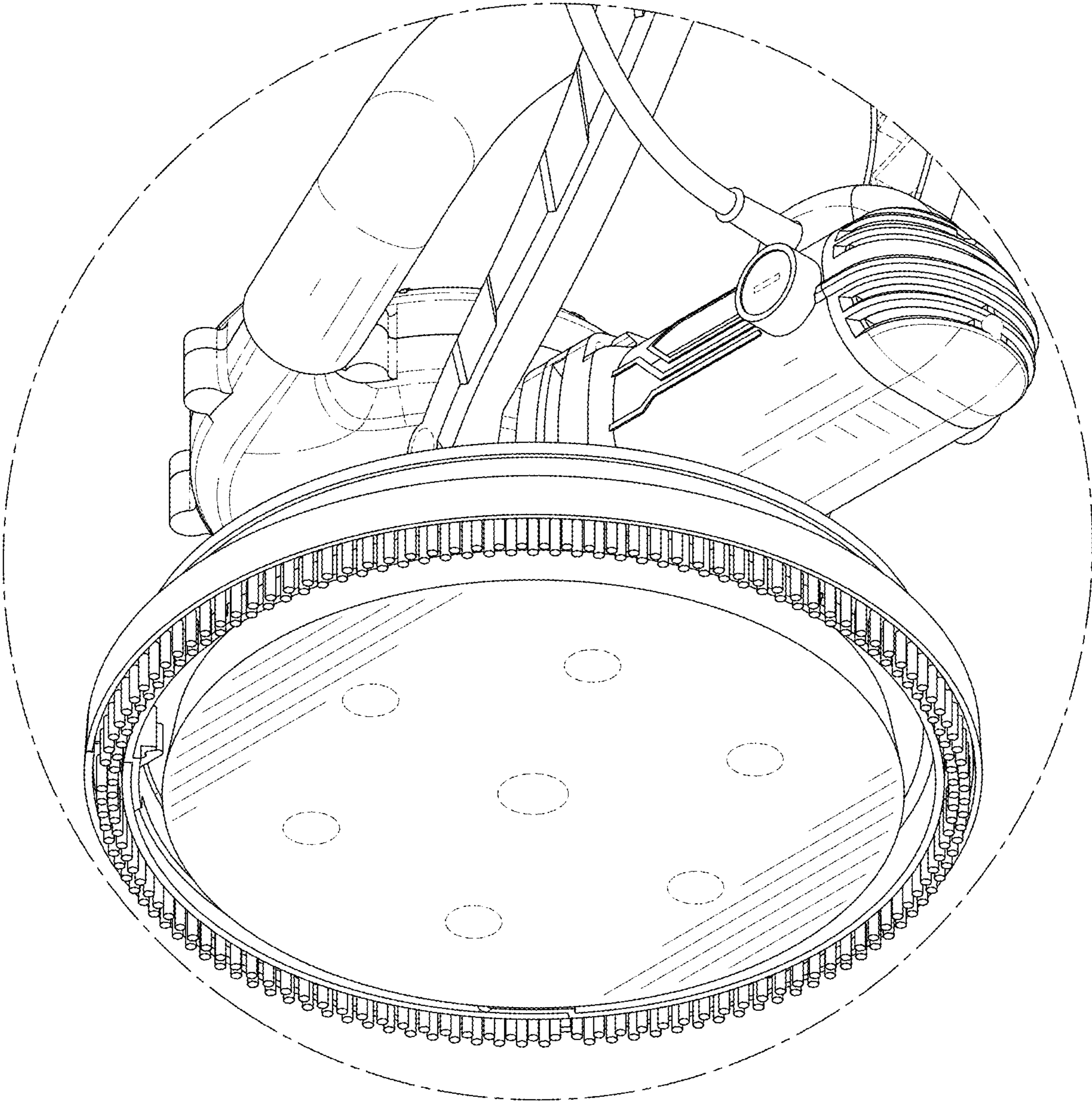


FIG. 14