



US00D960941S

(12) **United States Design Patent** (10) **Patent No.:** **US D960,941 S**  
**Milanese** (45) **Date of Patent:** **\*\* Aug. 16, 2022**

(54) **ICE CREAM MAKER**

(56) **References Cited**

(71) Applicant: **AD MAIORA s.r.l.**, Susegana (IT)

U.S. PATENT DOCUMENTS

(72) Inventor: **Pier Antonio Milanese**, Susegana (IT)

D254,972 S *	5/1980	Rakocy .....	D15/82
D292,098 S *	9/1987	Pandolfi .....	D15/82
D321,697 S *	11/1991	Blaustein .....	D15/82
D323,513 S *	1/1992	van Asten .....	D15/82
D383,471 S *	9/1997	Hsu .....	D15/82
D469,451 S *	1/2003	Wanat .....	D15/82
D537,847 S *	3/2007	Li .....	D15/82
D651,619 S *	1/2012	Salin .....	D15/82
D671,568 S *	11/2012	Pelayo .....	D15/82
D673,186 S *	12/2012	Siu .....	D15/82
D685,399 S *	7/2013	Pelayo .....	D15/82
D694,287 S *	11/2013	Salin .....	D15/82
D726,231 S *	4/2015	Lu .....	D15/82
D726,232 S *	4/2015	Cappelli .....	D15/82
D760,305 S *	6/2016	Salin .....	D15/82
D784,427 S *	4/2017	Bond .....	D15/82
D798,341 S *	9/2017	Bond .....	D15/82
D861,742 S *	10/2019	Baron .....	D15/82
D873,869 S *	1/2020	Lazzarini .....	D15/82
D909,433 S *	2/2021	Lee .....	A23G 9/12 D15/82
D944,871 S *	3/2022	Di-Rosa .....	D15/89
D944,872 S *	3/2022	Di-Rosa .....	D15/89

(73) Assignee: **AD MAIORA s.r.l.**, Susegana (IT)

(\*\*) Term: **15 Years**

(21) Appl. No.: **35/511,092**

(22) Filed: **Jun. 30, 2020**

(80) **Hague Agreement Data**

Int. Filing Date: **Jun. 30, 2020**

Int. Reg. No.: **DM/209616**

Int. Reg. Date: **Jun. 30, 2020**

Int. Reg. Pub. Date: **Jan. 1, 2021**

(51) **LOC (13) Cl.** ..... **15-07**

(52) **U.S. Cl.**  
USPC ..... **D15/82**  
CPC ..... **A23G 9/12 (2013.01)**

(58) **Field of Classification Search**  
USPC ..... D7/372, 376–386, 402, 412–413, 602,  
D7/629, 665–666, 669, 679, 693–694;  
D15/79, 82  
CPC .. A21C 1/02; A21C 1/04; A23G 9/106; A23G  
9/12; A23N 1/00; A23N 1/02; A47J  
43/04; A47J 43/25; A47J 43/27; A47J  
43/042; A47J 43/044; A47J 43/046; A47J  
43/075; A47J 43/0722; A47J 43/0727;  
B01F 3/00; B01F 3/0807; B01F 3/0853;  
B01F 7/00208; B01F 13/0059; B01F  
13/0064; B02C 1/08; B02C 2/04; B02C  
4/42; B02C 4/142; B02C 4/143; B02C  
4/423; B02C 13/1835; B28C 5/10; B28C  
5/12; B28C 5/14

See application file for complete search history.

\* cited by examiner

*Primary Examiner* — Richard E Chilcot

(74) *Attorney, Agent, or Firm* — Maier & Maier, PLLC

(57) **CLAIM**

The ornamental design for an ice cream maker, as shown and described.

**DESCRIPTION**

1 Ice cream maker

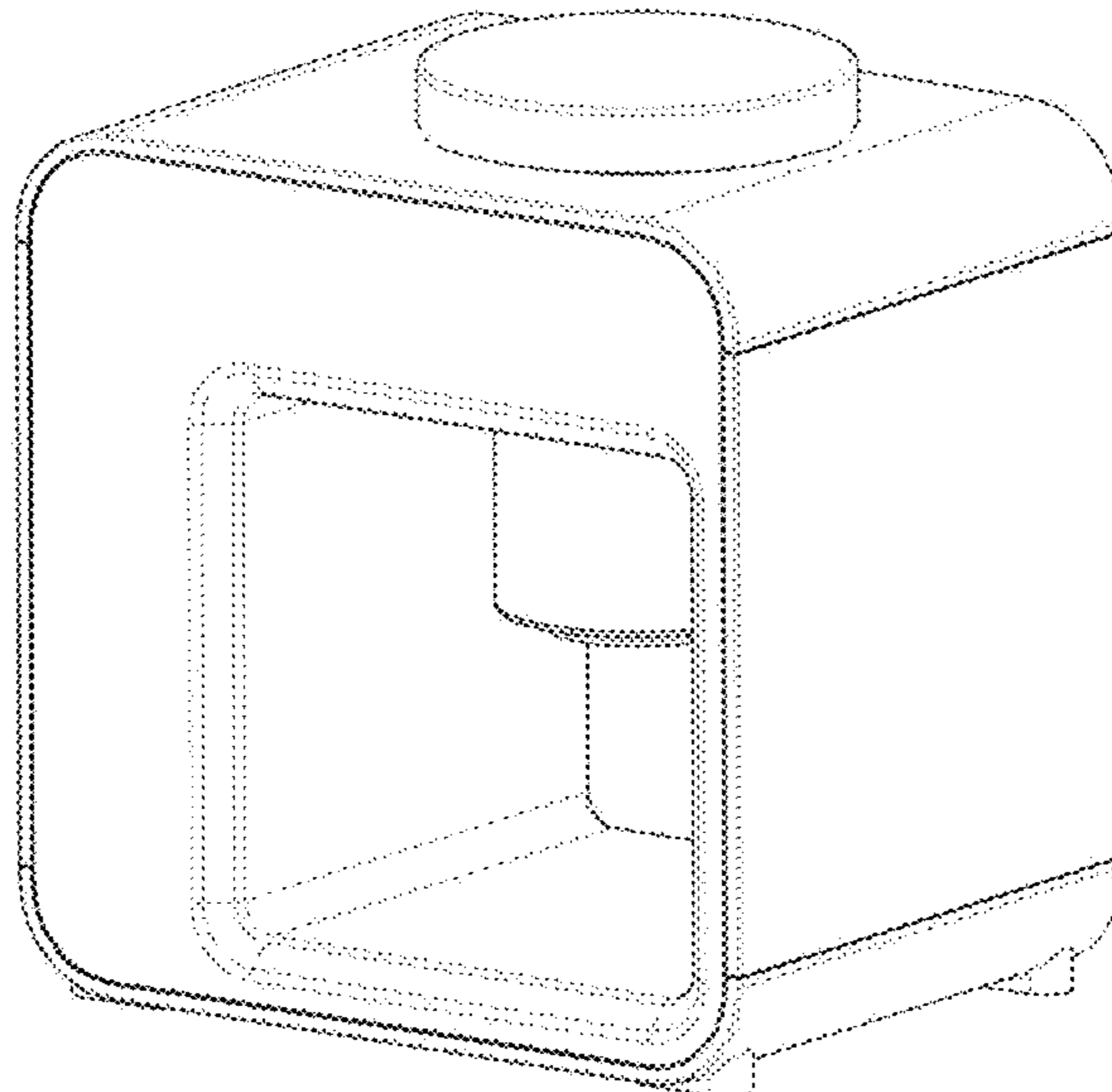
Figure 1.1 shows a top perspective view from the right side of an ice cream maker;

Figure 1.2 shows a top perspective view from the left side of an ice cream maker;

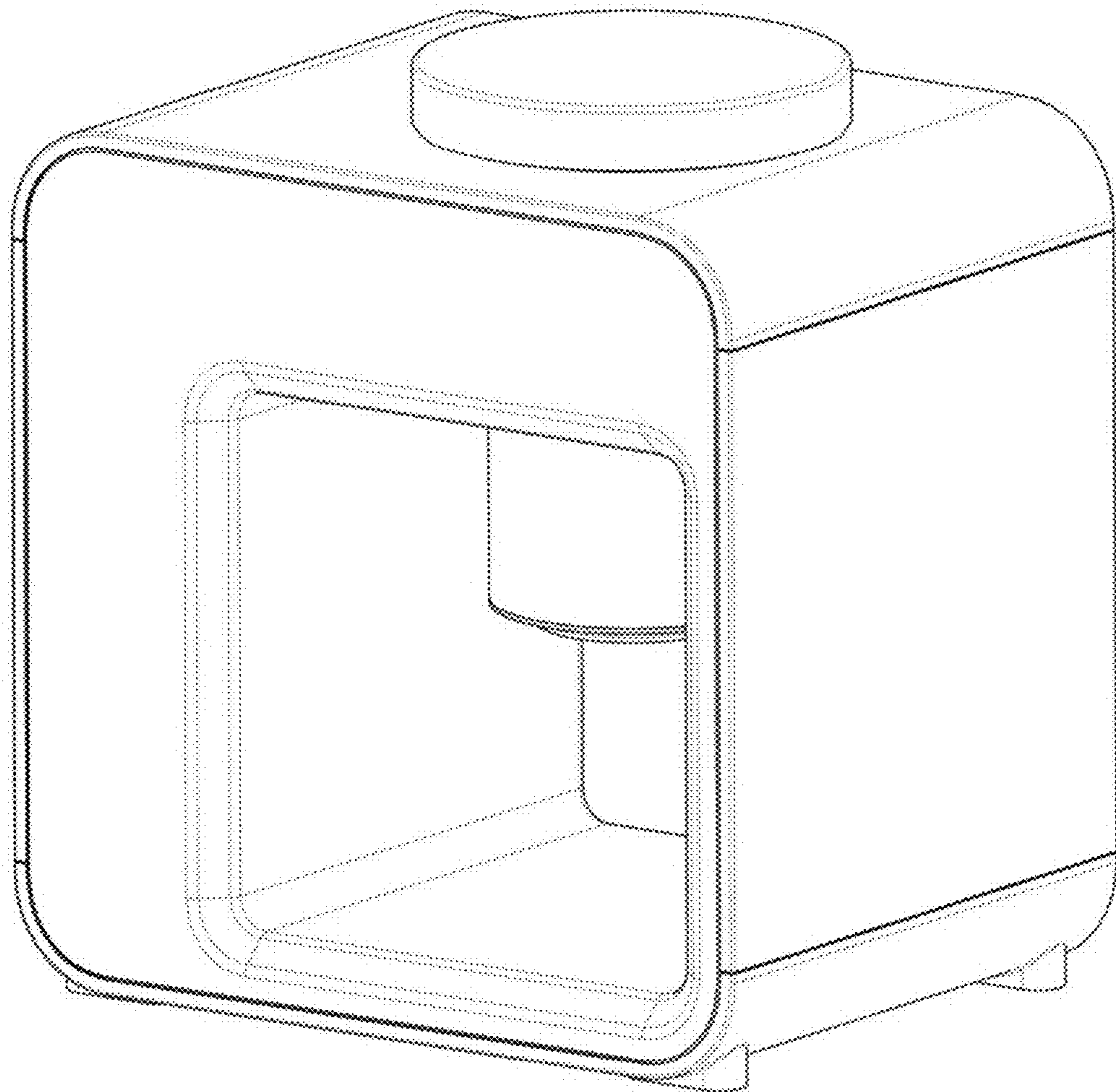
Figure 1.3 shows a front view of an ice cream maker; and

Figure 1.4 shows a left side view of an ice cream maker.

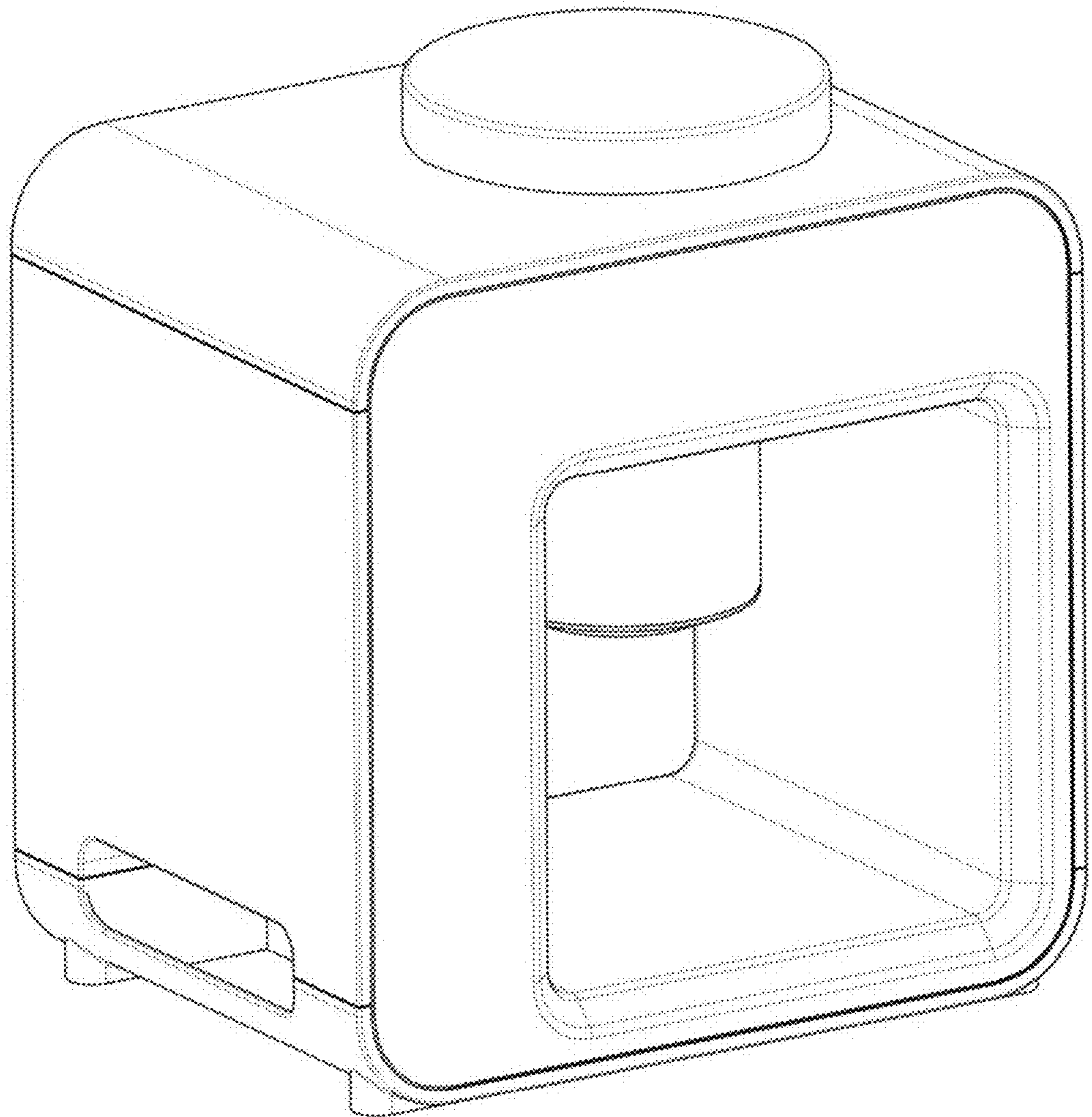
**1 Claim, 4 Drawing Sheets**



1.1

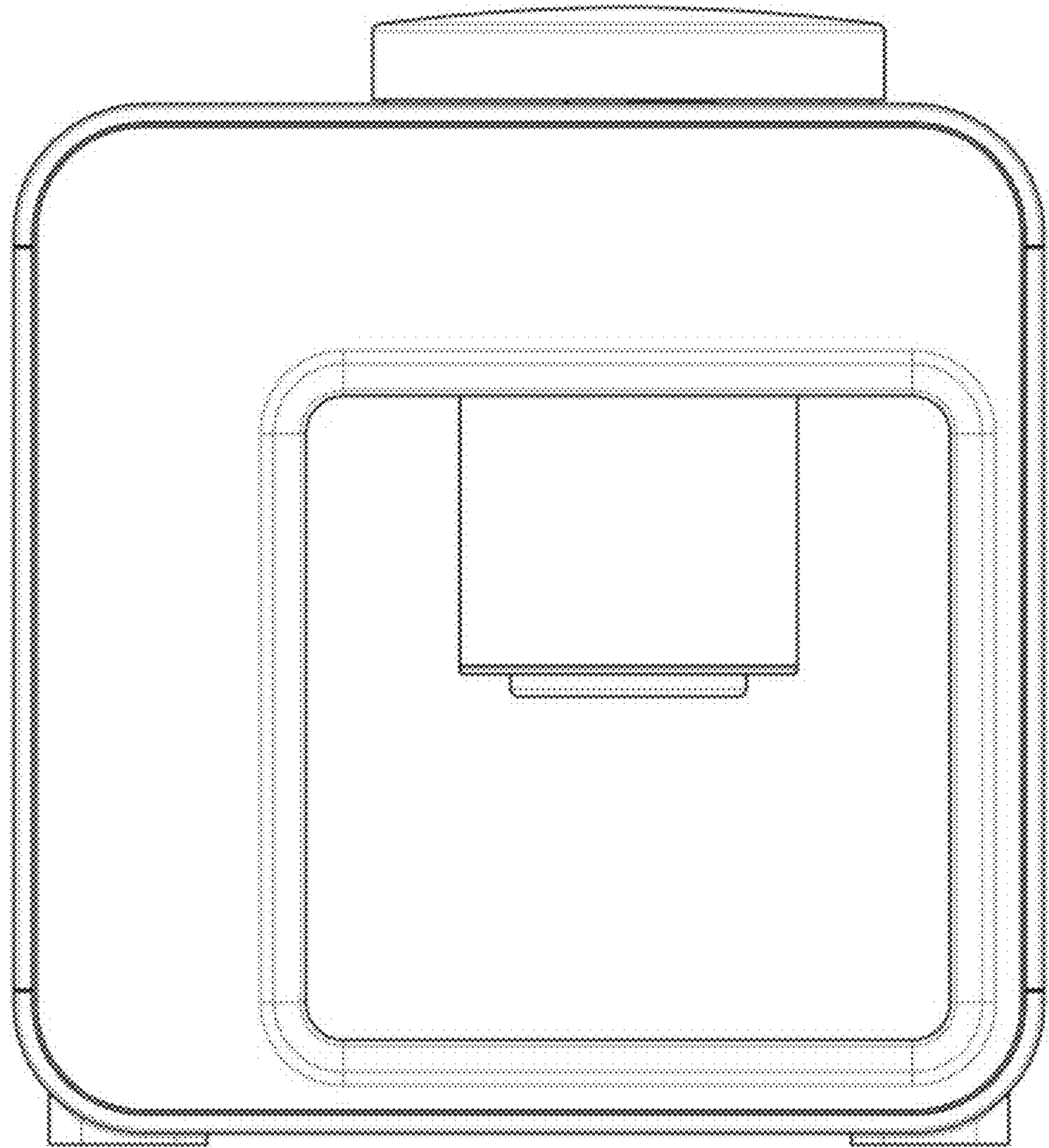


1.2





1.3



1.4

