



US00D960939S

(12) **United States Design Patent**  
**Lonati et al.**

(10) **Patent No.:** **US D960,939 S**  
(45) **Date of Patent:** **\*\* Aug. 16, 2022**

(54) **TEXTILE MACHINE**

(71) Applicant: **SANTONI S.P.A.**, Brescia (IT)  
(72) Inventors: **Ettore Lonati**, Botticino (IT); **Fausto Lonati**, Brescia (IT); **Andrea Lonati**, Brescia (IT)

(73) Assignee: **SANTONI S.P.A.**, Brescia (IT)

(\*\*) Term: **15 Years**

(21) Appl. No.: **29/717,650**

(22) Filed: **Dec. 18, 2019**

(30) **Foreign Application Priority Data**

Jun. 18, 2019 (EM) ..... 006583290-0002

(51) **LOC (13) Cl.** ..... **15-06**

(52) **U.S. Cl.**  
USPC ..... **D15/66; D15/72**

(58) **Field of Classification Search**  
USPC .... D15/66-78; 66/8, 151, 108 R, 17, 178 R, 66/57, 104, 125 R, 20, 64, 13, 132 R, 14, 66/140 S, 145 R, 148, 149 R, 153, 222  
(Continued)

(56) **References Cited**

**U.S. PATENT DOCUMENTS**

1,777,699 A \* 10/1930 McAdams ..... D04B 1/02  
66/12  
1,801,167 A \* 4/1931 McAdams ..... D04B 9/06  
66/12

(Continued)

**FOREIGN PATENT DOCUMENTS**

CN 304962794 \* 12/2018  
EM 006583290-0002 \* 7/2019

(Continued)

**OTHER PUBLICATIONS**

Bravo U8 Derby [online] URL: <http://www.macchinericambi.com/en/model/53> (visited Jul. 23, 2021) (Year: 1995).\*

(Continued)

*Primary Examiner* — Jae Liang  
*Assistant Examiner* — Tia Ruth-Renee Polidori

(74) *Attorney, Agent, or Firm* — MH2 Technology Law Group LLP

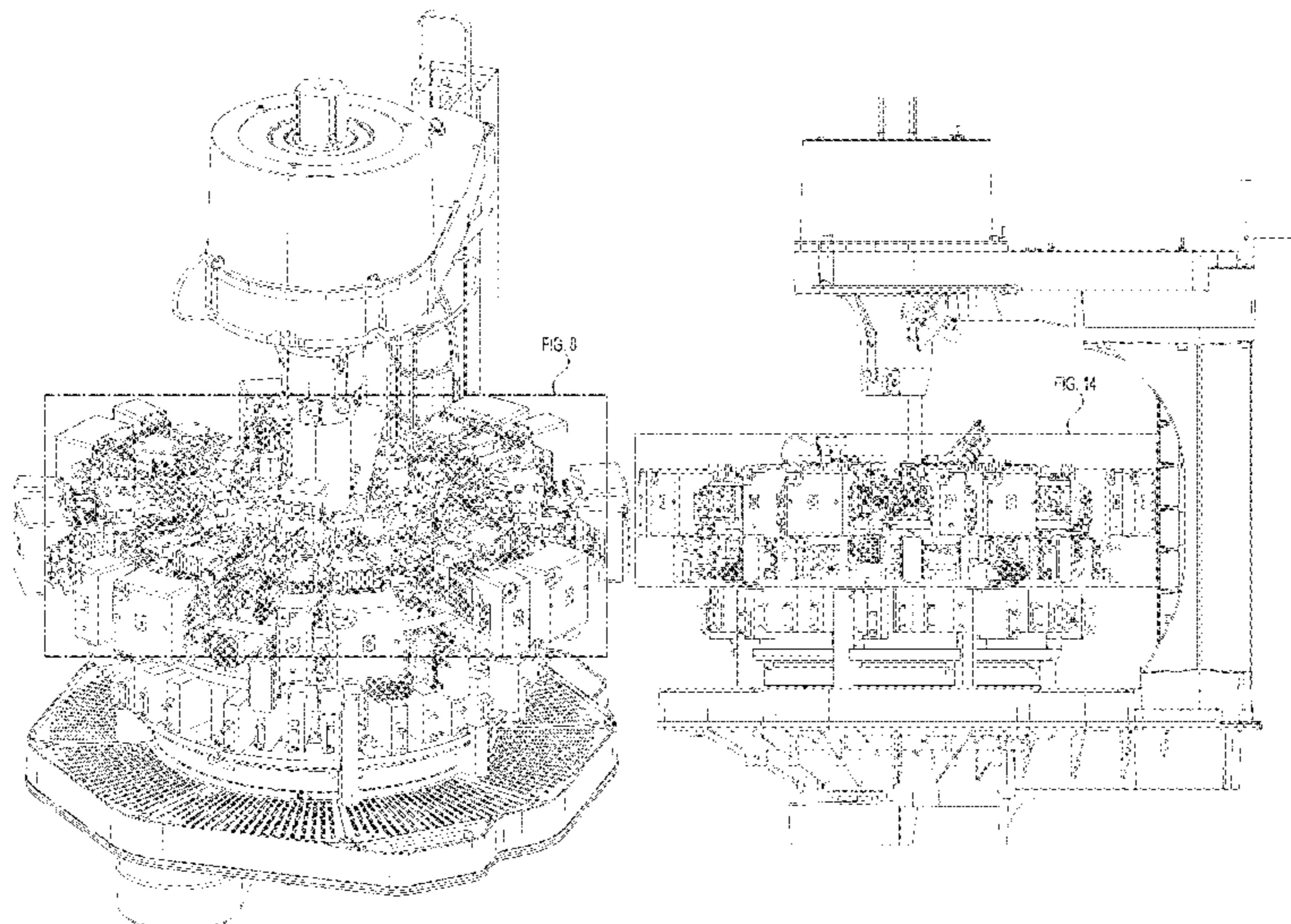
(57) **CLAIM**

The ornamental design for a textile machine, as shown and described.

**DESCRIPTION**

FIG. 1 is a perspective view of a textile machine; FIG. 2 is a top plan view thereof; FIG. 3 is a bottom plan view thereof; FIG. 4 is a front elevational view thereof; FIG. 5 is a rear elevational view thereof; FIG. 6 is a left-side elevational view thereof; FIG. 7 is a right-side elevational view thereof; FIG. 8 is an enlarged perspective view of a portion of FIG. 1; FIG. 9 is an enlarged top plan view of a portion of FIG. 2; FIG. 10 is an enlarged bottom plan view of a portion of FIG. 3; FIG. 11 is an enlarged front elevational view of a portion of FIG. 4; FIG. 12 is an enlarged rear elevational view of a portion of FIG. 5; FIG. 13 is an enlarged left-side elevational view of a portion of FIG. 6; and, FIG. 14 is an enlarged right-side elevational view of a portion of FIG. 7. The dot-dash broken lines in the drawings illustrate partial view indicia that forms no part of the claimed design. The dash-dash broken lines in the drawings depict portions of the textile machine that form no part of the claimed design.

**1 Claim, 14 Drawing Sheets**



(58) **Field of Classification Search**

CPC . D04B 13/00; D04B 13/02; D04B 9/00–9/58;  
D04B 15/06; D04B 15/14; D04B 15/88;  
D04B 15/94; D05B 1/00–25/00; D03D  
49/12; D03D 49/16

See application file for complete search history.

9,689,094 B2 \* 6/2017 Lonati ..... D04B 15/32  
9,689,095 B2 \* 6/2017 Lonati ..... D04B 15/32  
9,702,068 B2 \* 7/2017 Lonati ..... D04B 15/82  
10,240,266 B2 \* 3/2019 Lonati ..... D04B 9/06  
D850,496 S \* 6/2019 Papenfuss ..... D15/66  
D873,308 S \* 1/2020 Lonati ..... D15/78  
D893,554 S \* 8/2020 Lonati ..... D15/66

(56) **References Cited**

U.S. PATENT DOCUMENTS

2,153,019 A \* 4/1939 Henry ..... D04B 9/06  
66/24  
D198,581 S \* 7/1964 Kamp ..... D15/66  
3,859,822 A \* 1/1975 Renda ..... D04B 9/00  
66/8  
3,959,992 A \* 6/1976 Eschenbach ..... D04B 15/00  
66/8  
4,033,147 A \* 7/1977 King ..... D04B 15/00  
66/8  
D246,244 S \* 11/1977 Current ..... D15/66  
D247,900 S \* 5/1978 Current ..... D15/66  
4,409,800 A \* 10/1983 Gutschmit ..... D04B 1/02  
66/136  
4,539,825 A \* 9/1985 Colosio ..... D04B 15/68  
66/145 R  
4,754,936 A \* 7/1988 Dalmau Guell ..... D04B 15/48  
226/193  
5,156,079 A \* 10/1992 El-Shiekh ..... D04C 3/14  
87/57  
D463,463 S \* 9/2002 Zenoni ..... D15/78  
6,932,293 B1 \* 8/2005 Schmodde ..... D04B 35/14  
242/365.6  
D541,871 S \* 5/2007 Chang ..... D20/7  
7,310,976 B1 \* 12/2007 Renda ..... D04B 15/38  
66/125 R  
7,503,190 B1 \* 3/2009 Knight, Sr. .... D04B 9/14  
66/191  
7,552,602 B2 \* 6/2009 Knight, Sr. .... D04B 1/02  
66/9 R  
D771,153 S \* 11/2016 Lonati ..... D15/66  
D771,154 S \* 11/2016 Lonati ..... D15/78  
D771,156 S \* 11/2016 Lonati ..... D15/78  
D772,958 S \* 11/2016 Lonati ..... D15/78  
9,683,321 B2 \* 6/2017 Lonati ..... D04B 15/322

FOREIGN PATENT DOCUMENTS

EM 006583290-0010 \* 7/2019  
EM 006583290-0011 \* 7/2019  
EM 006583290-0012 \* 7/2019  
GB 9006583290-0011 \* 6/2019  
GB 9006583290-0012 \* 6/2019  
IL 55790 \* 7/2016  
MX 46545-0001 \* 4/2016

OTHER PUBLICATIONS

Federal Filler [online] URL: <https://www.fraingroup.com/products/federal-filler-liquid-gravpress-g185-18-head-rotary-filler/> (visited Jul. 23, 2021) (Year: 2021).\*

New body-size continuous fabric machines from Santoni, Industry [online] URL: <https://www.knittingindustry.com/new-bodysize-continuous-fabric-machines-from-santoni/> (visited Jul. 23, 2021) (Year: 2012).\*

SANT-MMF-SM8EJ-2019 [online] URL: <https://www.santoni.com/pdfgenerati/SANT-MMF-SM8EJ-ENG-2.pdf> (visited Jul. 23, 2021) (Year: 2019).\*

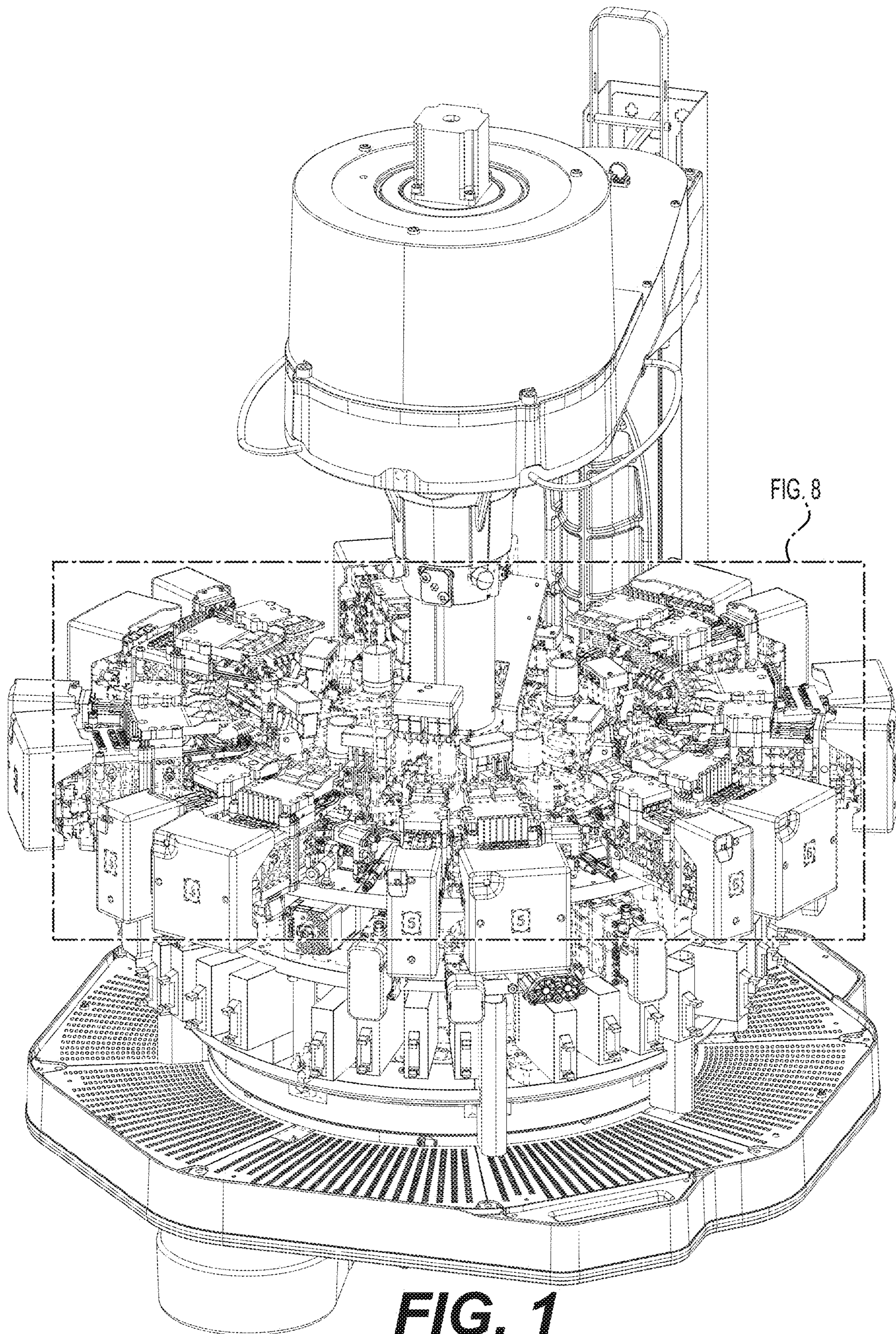
SANT-MMF-SM8TOP4J-2019 [online] URL: <https://www.santoni.com/pdfgenerati/SANT-MMF-SM8TOP4J-ENG-1.pdf> (visited Jul. 23, 2021) (Year: 2019).\*

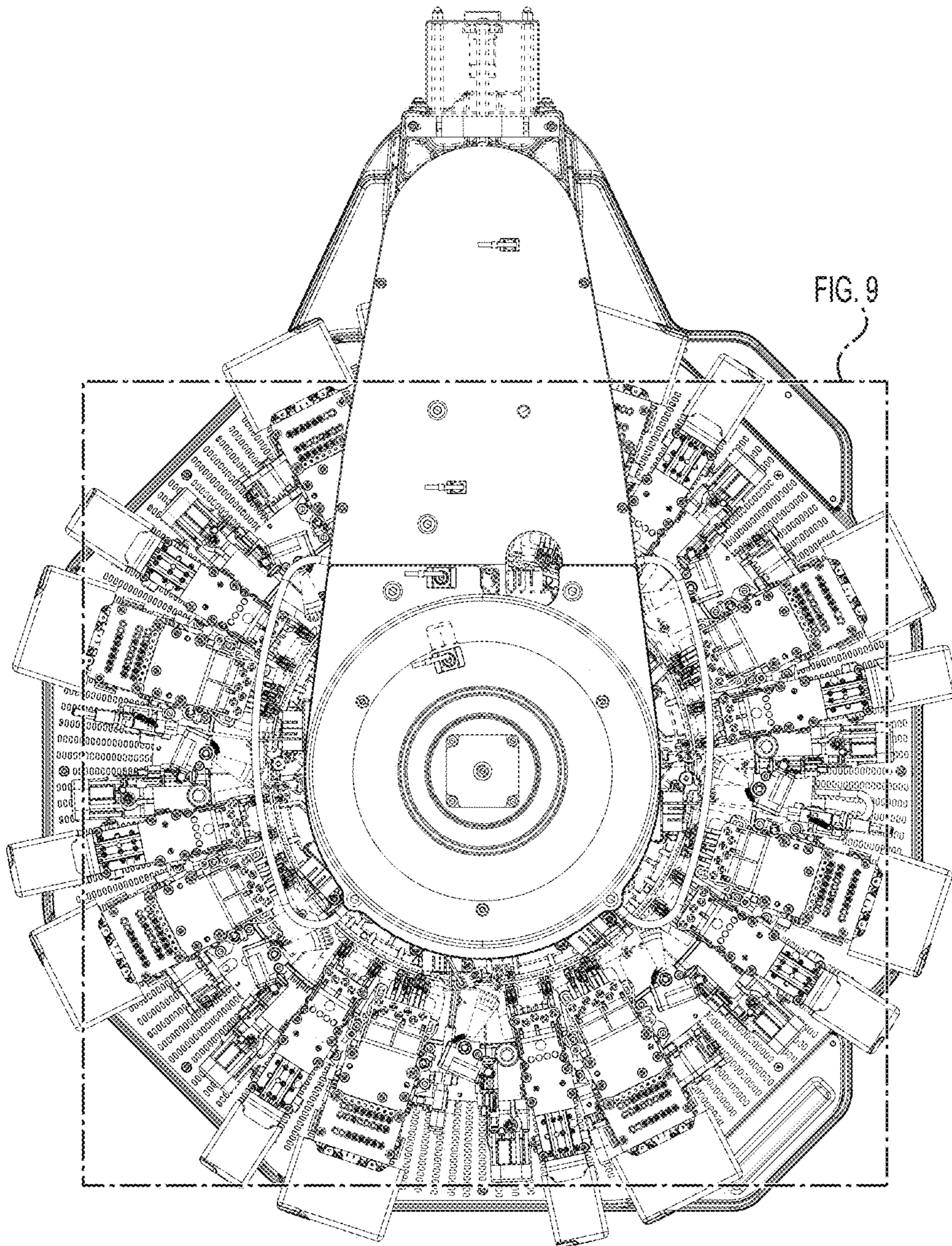
SANT-MMF-SM8TV2-2019 [online] URL: <https://www.santoni.com/pdfgenerati/SANT-MMF-SM8TV2-ENG-2.pdf> (visited Jul. 23, 2021) (Year: 2019).\*

Santoni takes part in Textile Evolution [online] URL: <https://www.knittingindustry.com/santoni-takes-part-in-textile-evolution/> (visited Jul. 23, 2021) (Year: 2012).\*

TOP2 Fast Santoni [online] URL: <https://web.archive.org/web/20161122022000/http://www.santoni.cn/en/top2-fast> (visited Jul. 23, 2021) (Year: 2016).\*

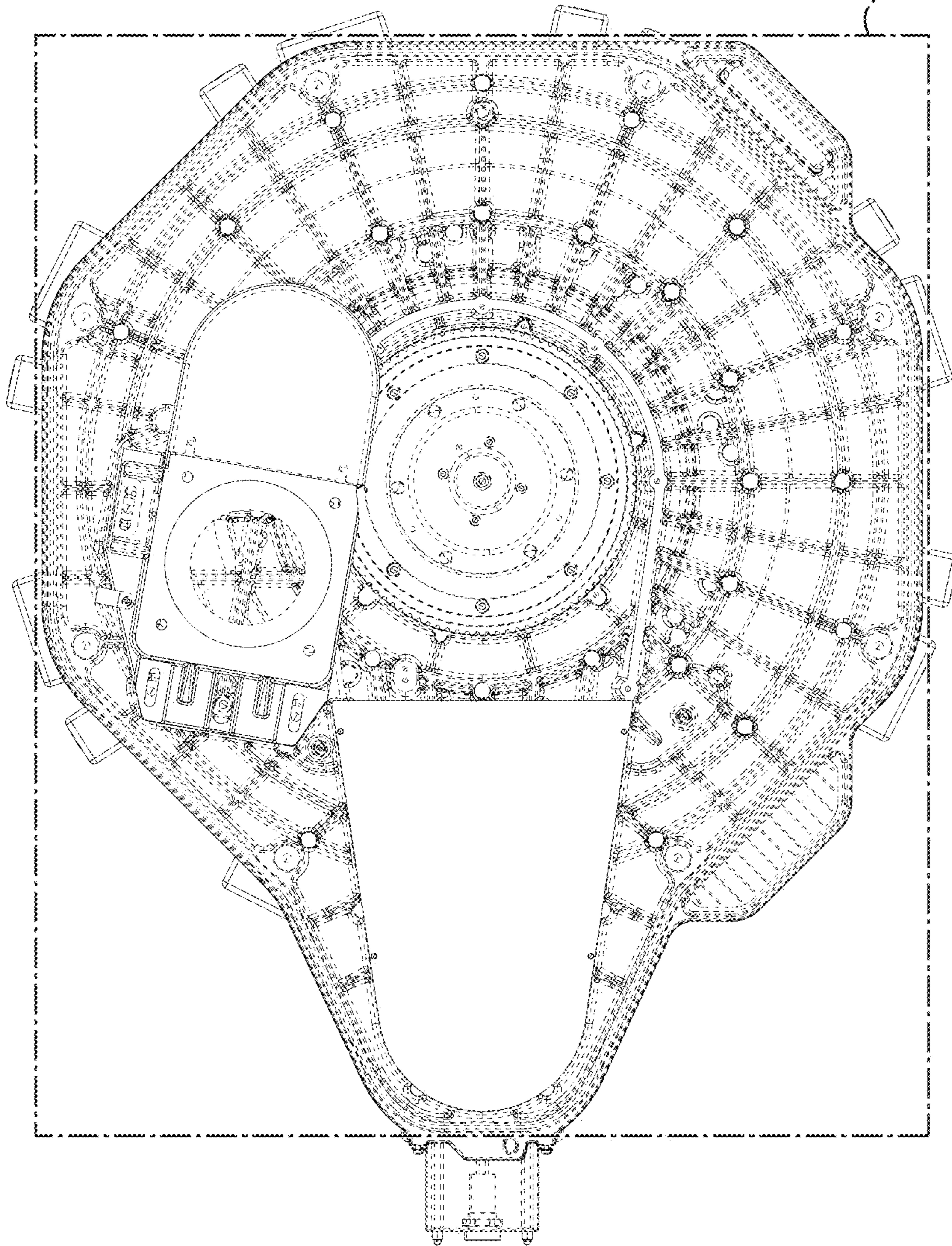
\* cited by examiner



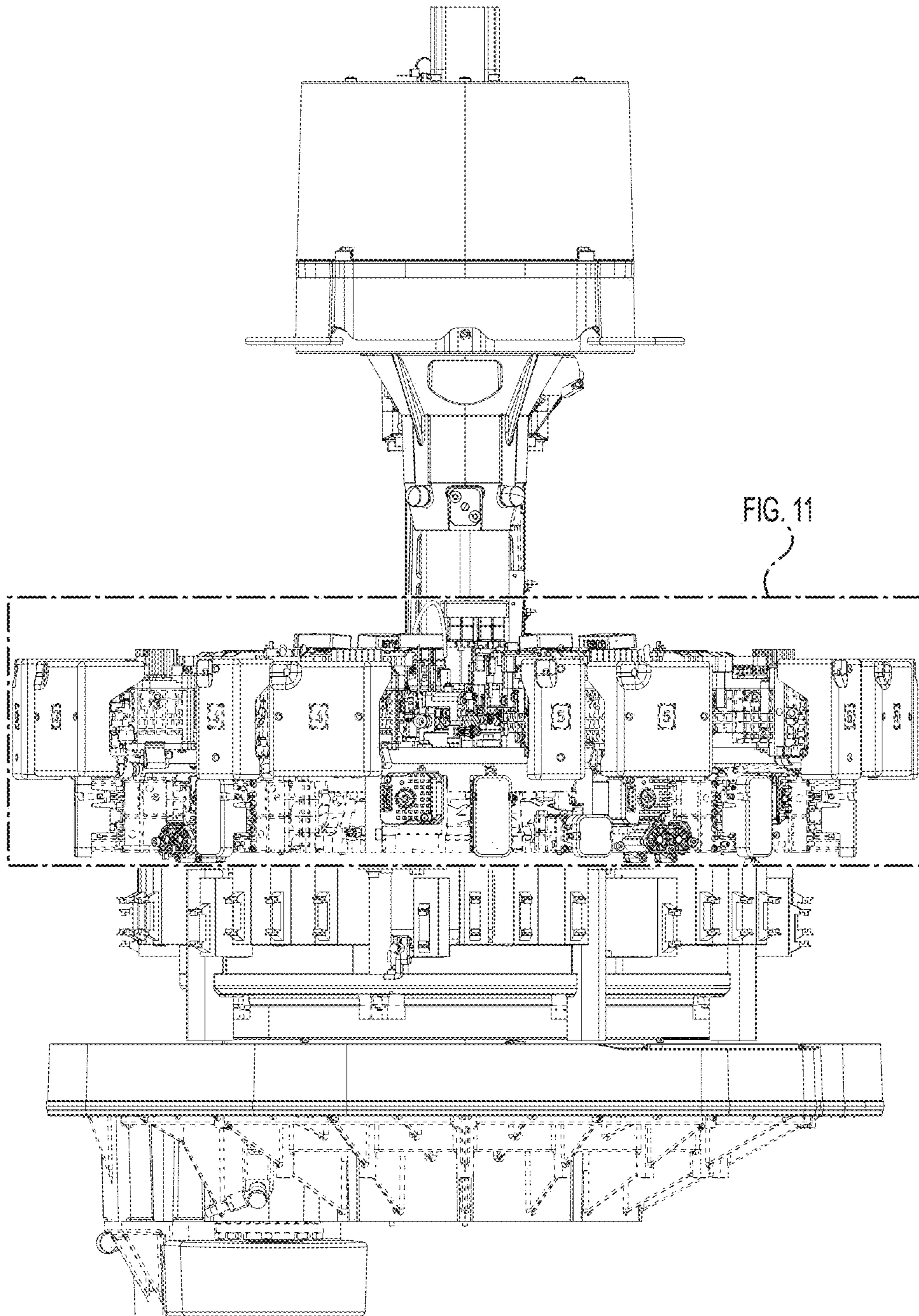


**FIG. 2**

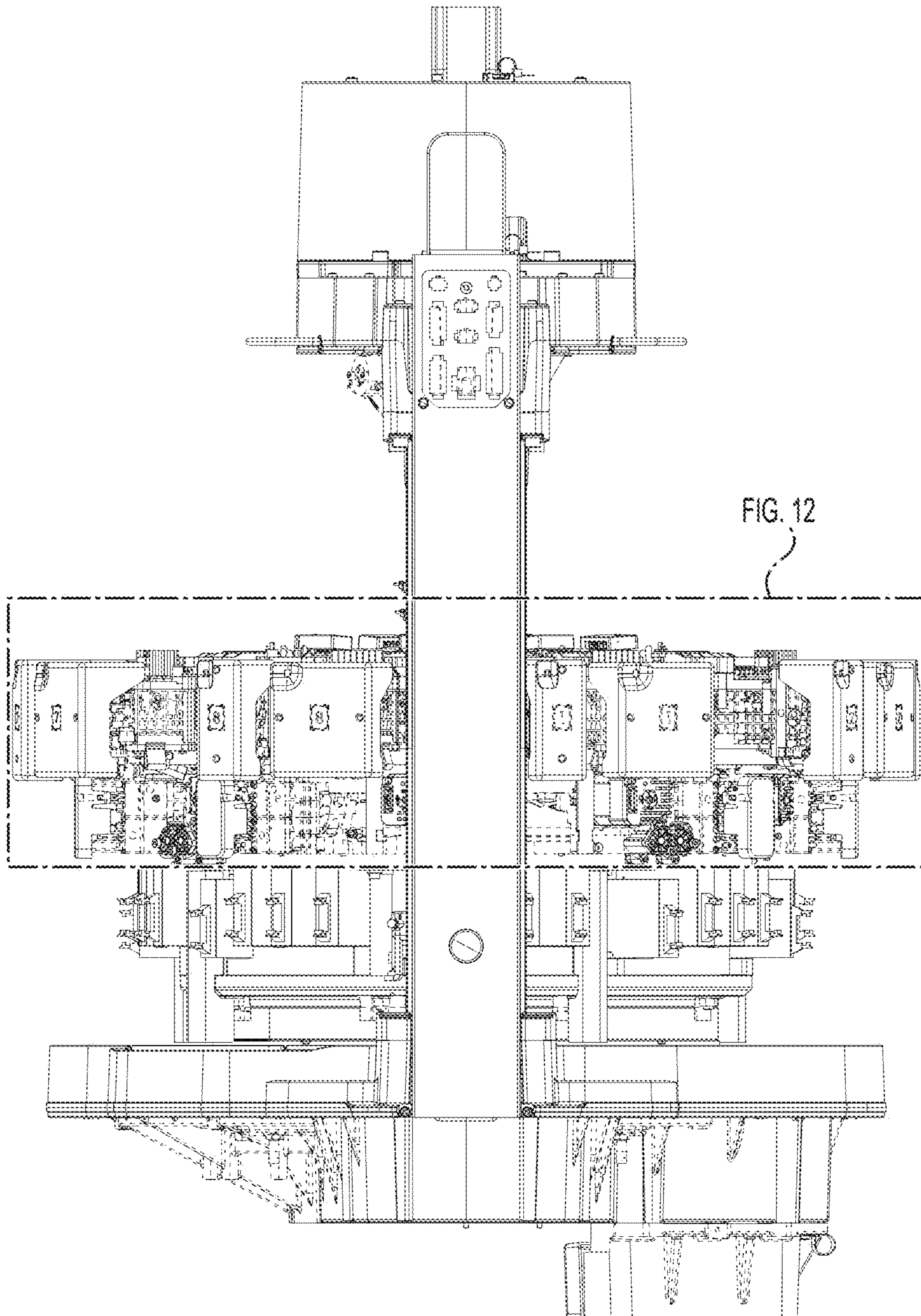
FIG. 10



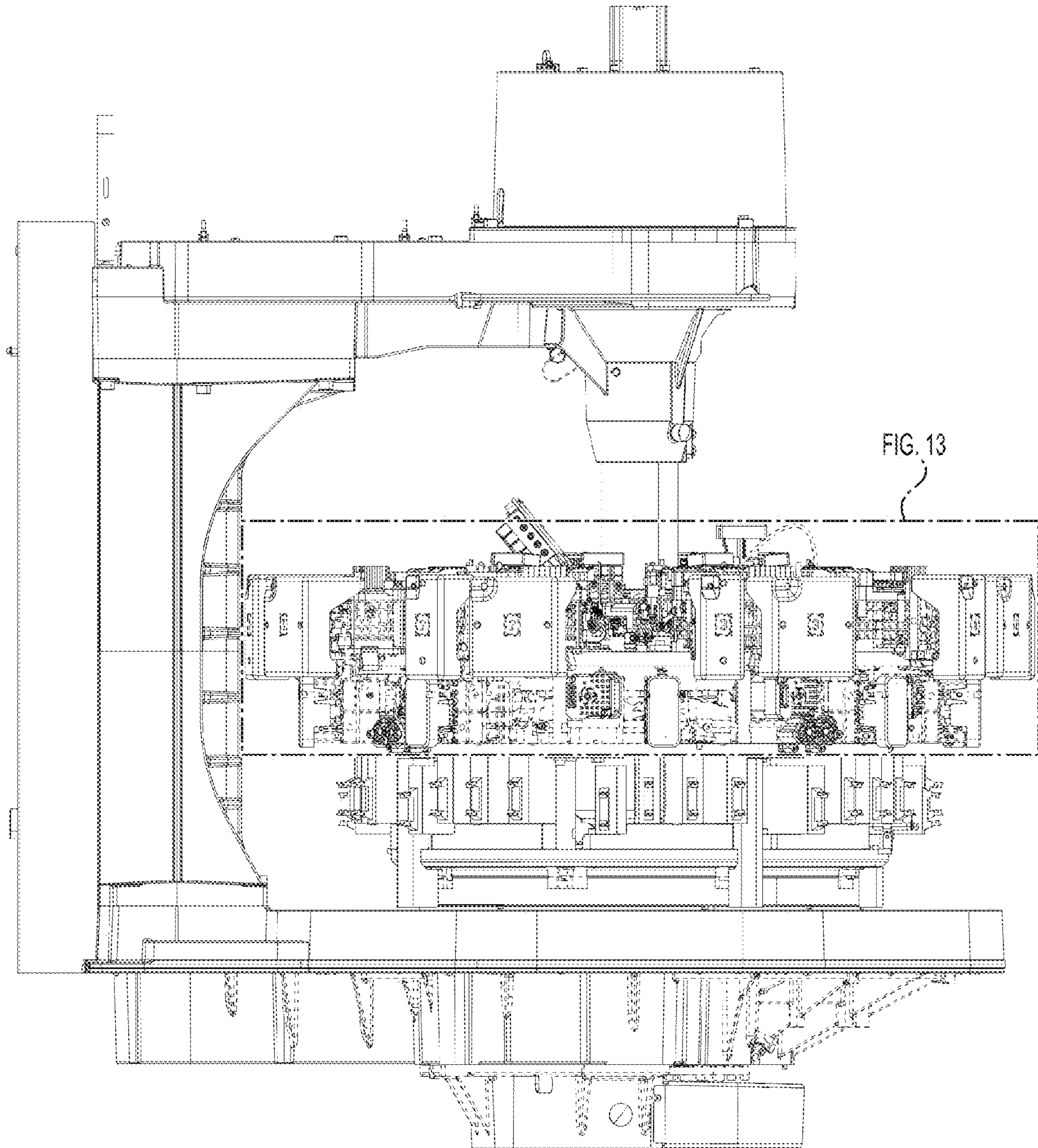
**FIG. 3**



**FIG. 4**

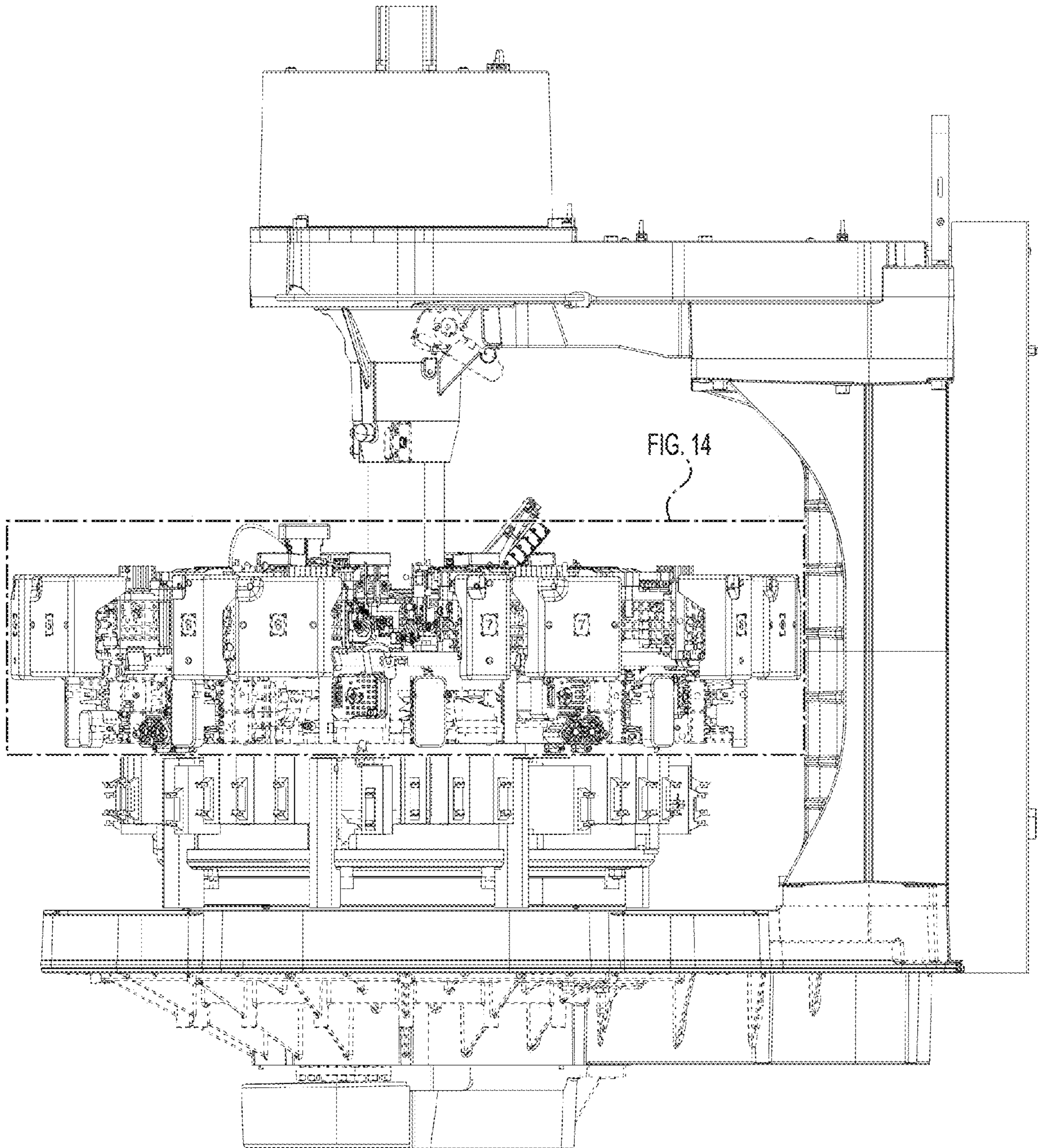


**FIG. 5**

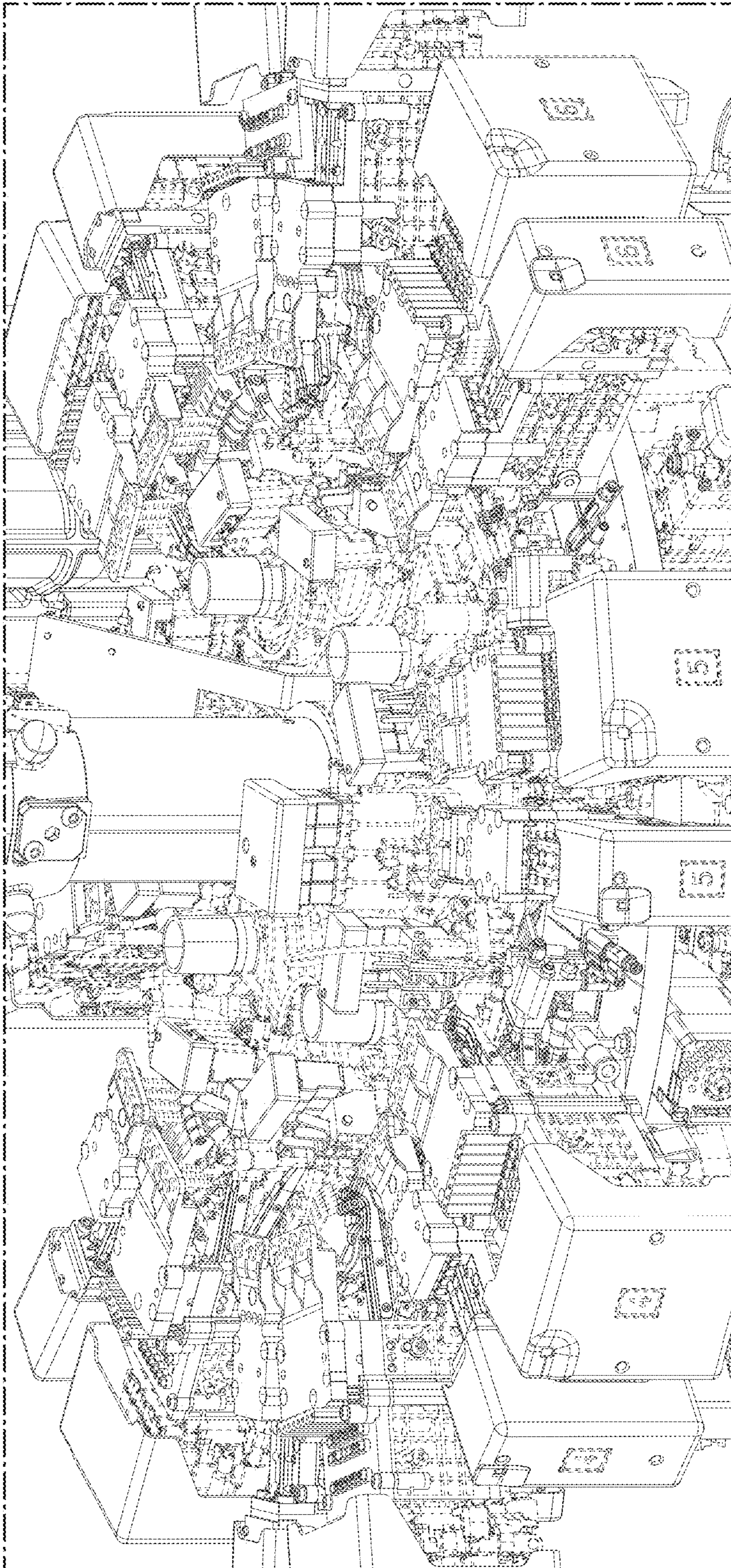


**FIG. 6**

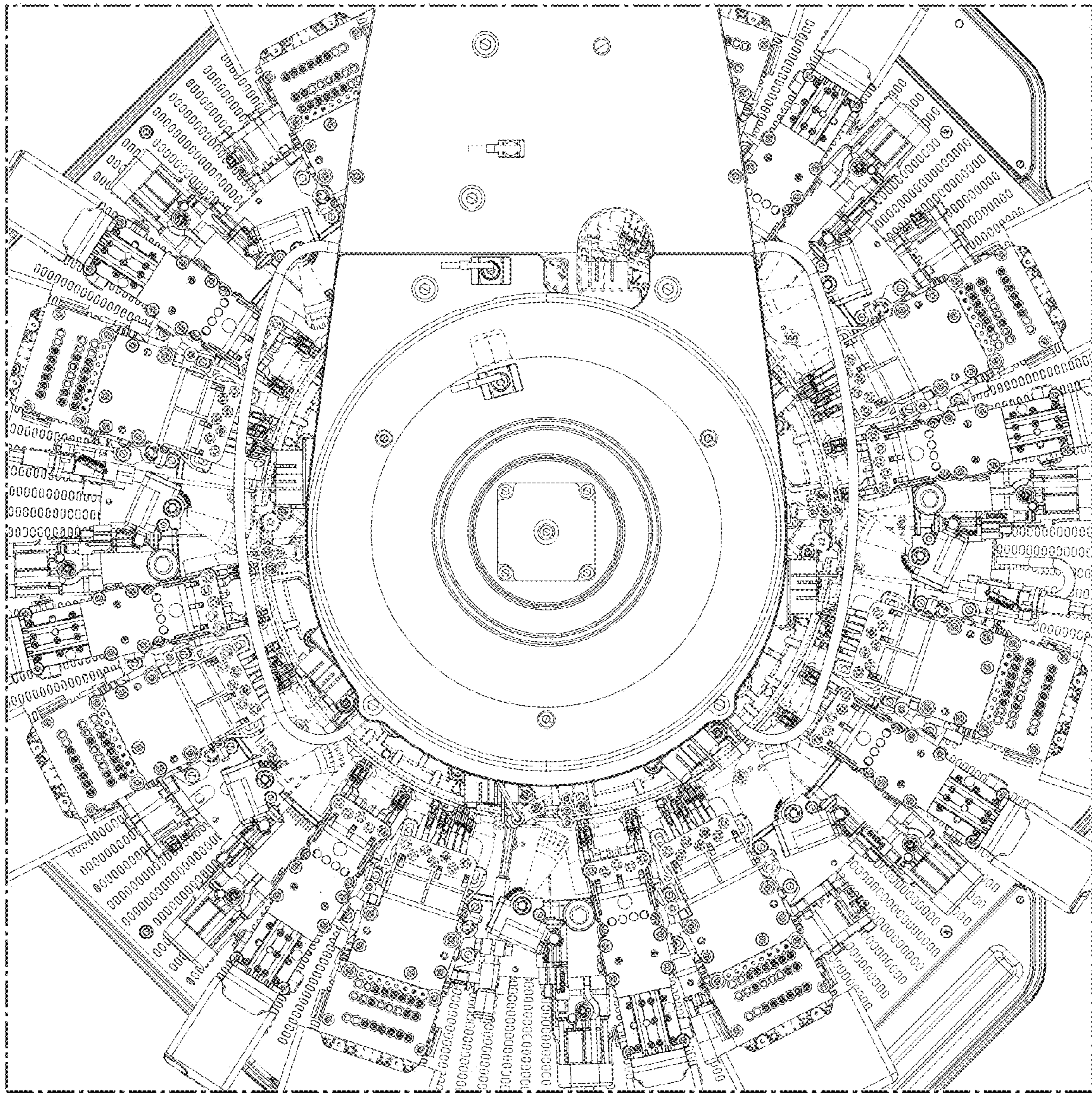




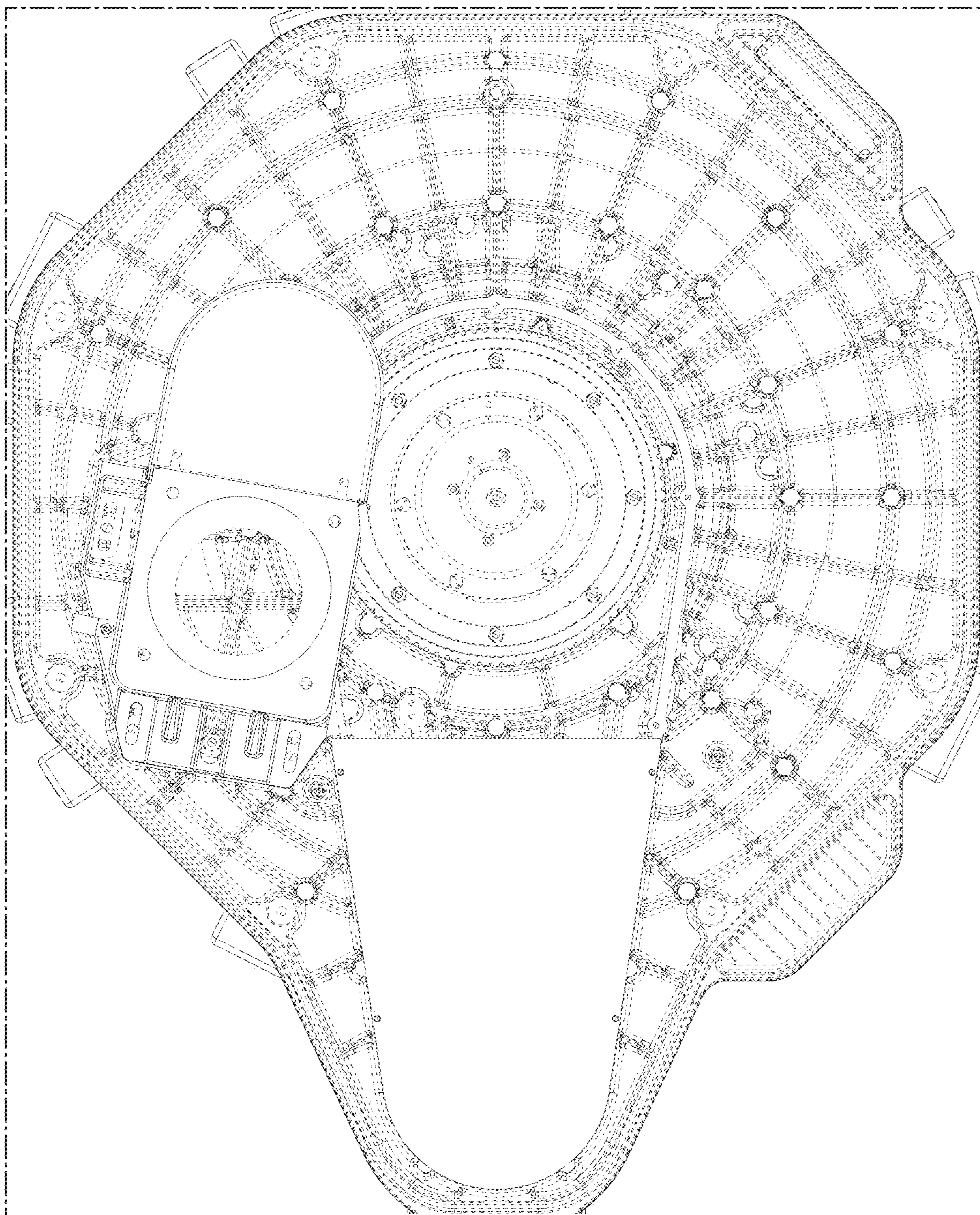
**FIG. 7**



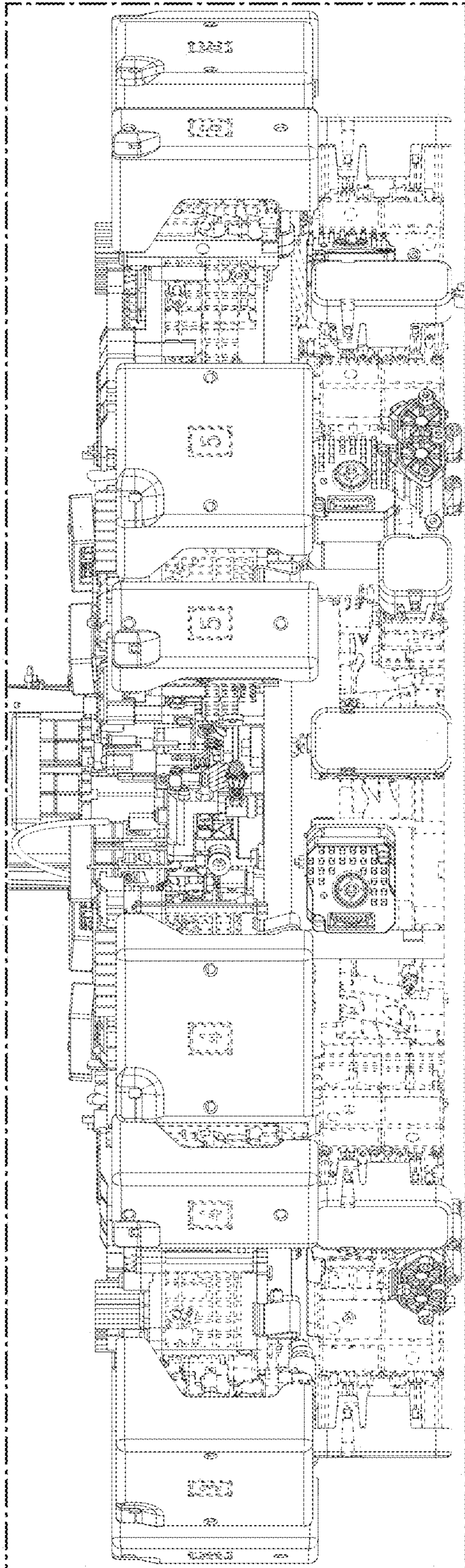
**FIG. 8**



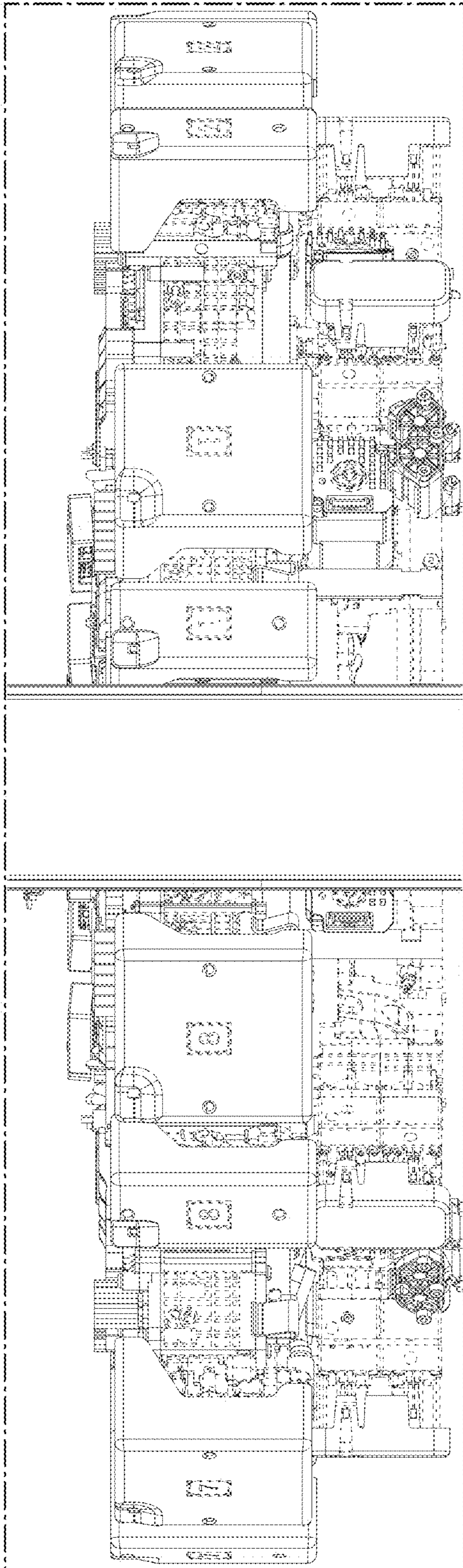
**FIG. 9**



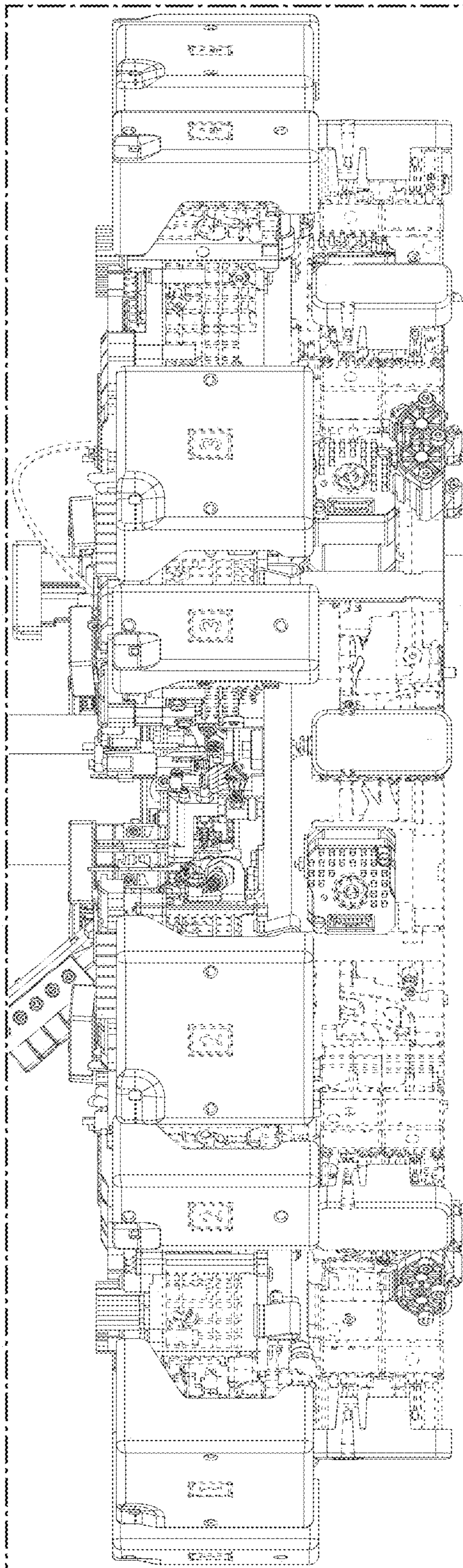
**FIG. 10**



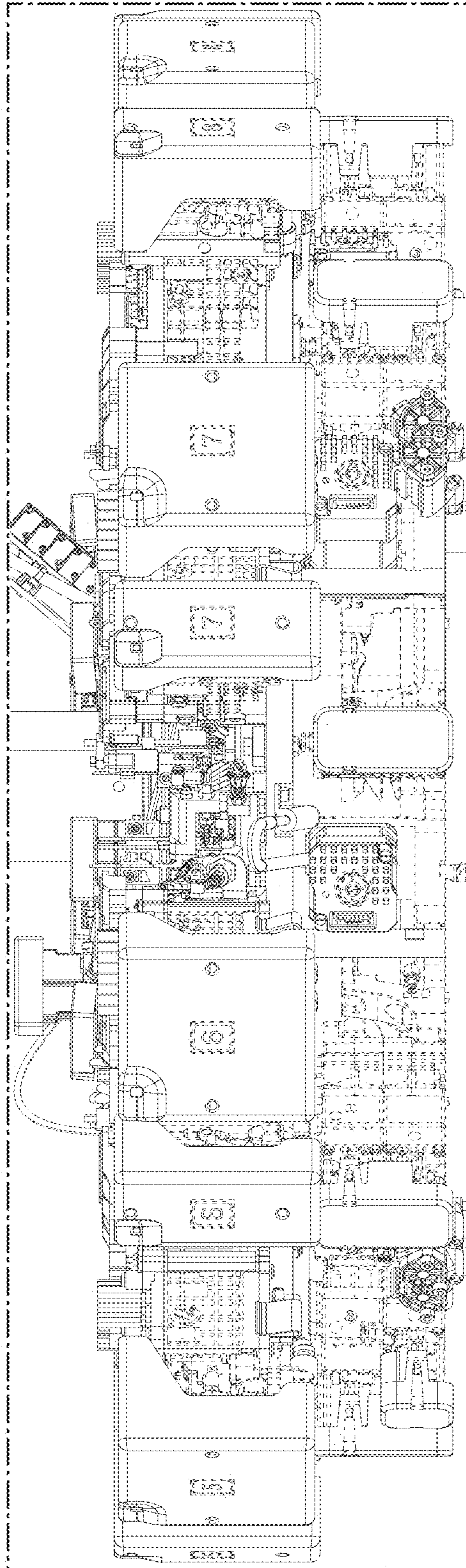
**FIG. 11**



**FIG. 12**



**FIG. 13**



**FIG. 14**