



US00D960938S

(12) **United States Design Patent** (10) **Patent No.:** **US D960,938 S**
Omachi et al. (45) **Date of Patent:** **** Aug. 16, 2022**

(54) **FRONT GRILL FOR TRACTORS**

(56) **References Cited**

(71) Applicant: **KUBOTA CORPORATION**, Osaka (JP)
 (72) Inventors: **Hitoshi Omachi**, Sakai (JP); **Megumi Sawai**, Sakai (JP); **Taiki Furuki**, Sakai (JP); **Daisuke Inaba**, Sakai (JP)
 (73) Assignee: **KUBOTA CORPORATION**, Osaka (JP)

U.S. PATENT DOCUMENTS

2,906,359 A * 9/1959 Wagner B60R 19/52
 D15/28
 D248,397 S * 7/1978 Cognata D15/15
 4,969,533 A * 11/1990 Holm B62D 49/06
 280/771
 D347,846 S * 6/1994 Derreberry D15/28
 D356,095 S * 3/1995 Innes D15/31
 D356,584 S * 3/1995 Innes D15/31
 D382,279 S * 8/1997 Goebert D15/31
 D401,945 S * 12/1998 Cunningham D12/163
 D410,012 S * 5/1999 Goebert D15/31
 D411,210 S * 6/1999 Goebert D12/163
 D419,164 S * 1/2000 Heiler D12/163
 D481,399 S * 10/2003 Katoh D15/31
 D499,750 S * 12/2004 Mistry D15/31

(**) Term: **15 Years**

(21) Appl. No.: **35/511,447**

(22) Filed: **Aug. 26, 2020**

(80) **Hague Agreement Data**

Int. Filing Date: **Aug. 26, 2020**
 Int. Reg. No.: **DM/210598**
 Int. Reg. Date: **Aug. 26, 2020**
 Int. Reg. Pub. Date: **Feb. 26, 2021**

(30) **Foreign Application Priority Data**

Apr. 28, 2020 (JP) 2020-008638

(51) **LOC (13) Cl.** **15-03**

(52) **U.S. Cl.**
 USPC **D15/31**
 CPC **B62D 25/10** (2013.01)

(58) **Field of Classification Search**

USPC D15/10, 11-17, 22-26, 30, 31; D12/173;
 56/13.3, 13.4, 15.8, 15.9, 320.1;
 180/89.12, 900, 69.2, 68.1, 69.1
 CPC B62D 49/00-085; B62D 25/10; B62D
 25/00; B60R 19/52; B60R 21/38

See application file for complete search history.

(Continued)

Primary Examiner — Richard E Chilcot

(74) *Attorney, Agent, or Firm* — Jorie L. Stroup; Roberts Calderon Safran & Cole P.C.

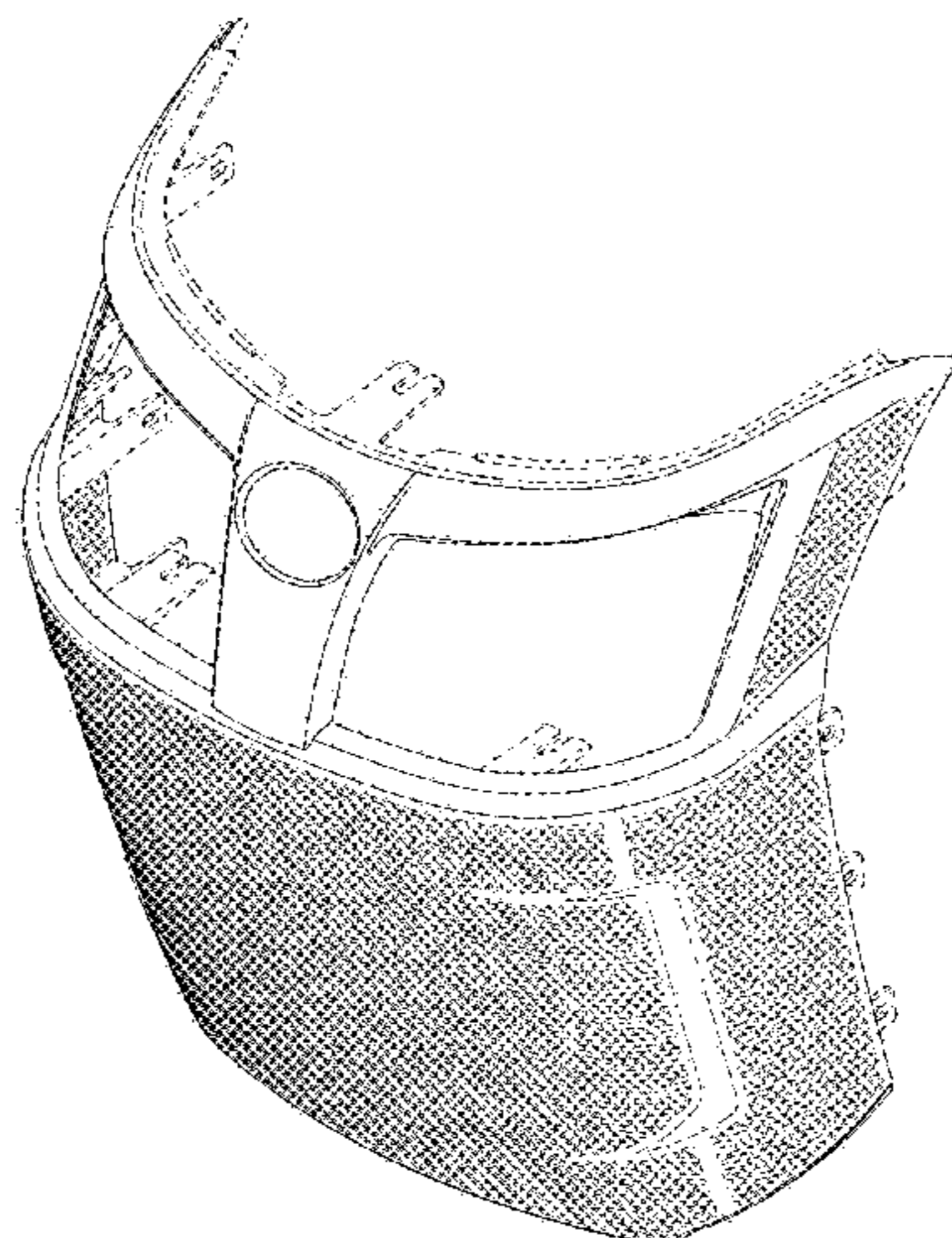
(57) **CLAIM**

The ornamental design for a front grill for tractors, as shown and described.

DESCRIPTION

1. Front grill for tractors
 1.1 : Perspective
 1.2 : Front
 1.3 : Back
 1.4 : Top
 1.5 : Bottom
 1.6 : Right
 1.7 : Left
 1.8 : Partial Enlarged view
 1.9 : Referential view showing state of use
 1.10 : Referential view showing state of use
 The broken lines shown in the drawings are for illustrative purpose only and form no part of the claimed design; the dash-dot lines show the boundaries between the parts seeking the protection and the other parts; the small circles covering the bottom two-thirds of the article show the part is perforated. The small circles are abbreviated in FIGS. 1.9 and 1.10 using a dotted pattern to show the outline of the article clearly.

1 Claim, 10 Drawing Sheets



(56)

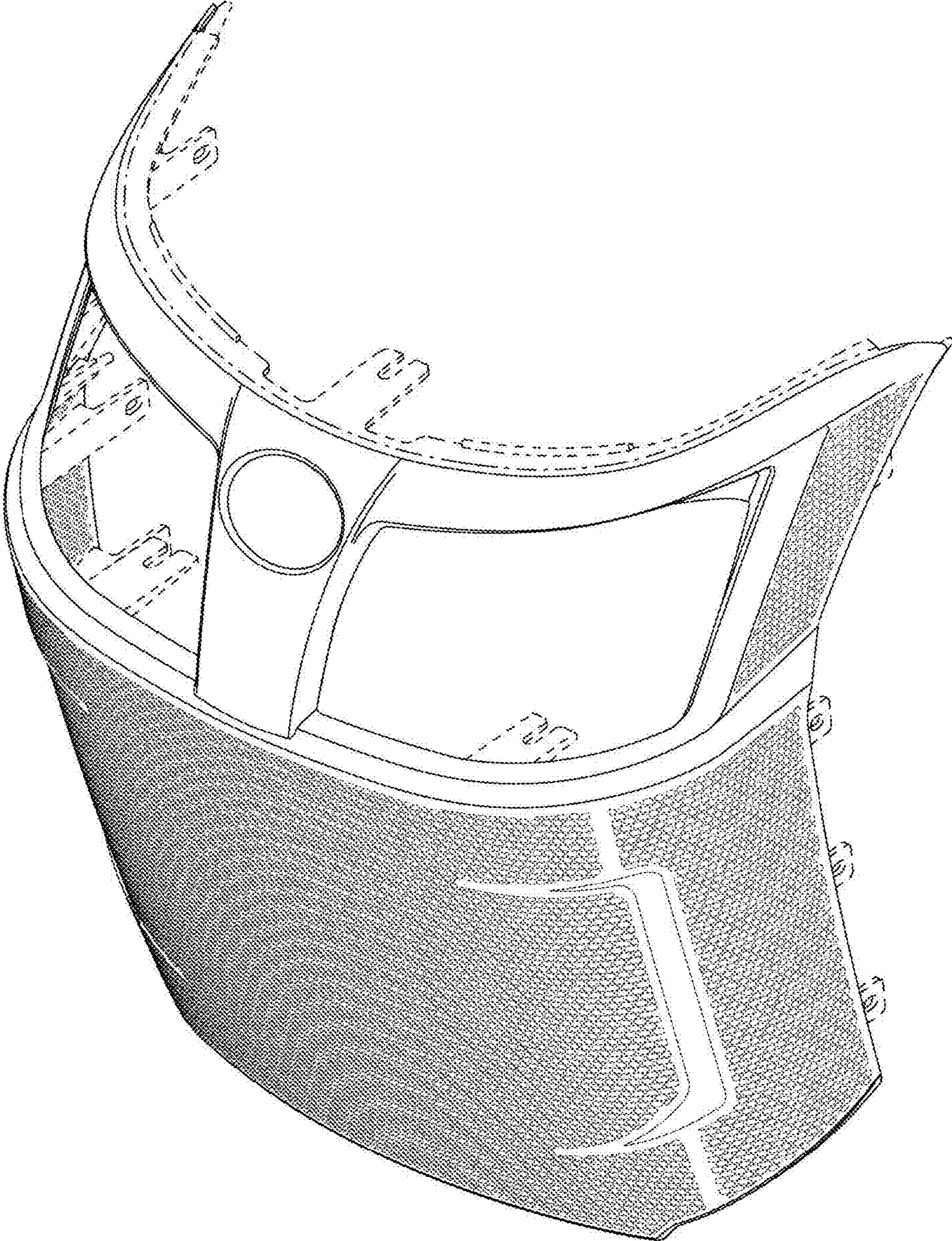
References Cited

U.S. PATENT DOCUMENTS

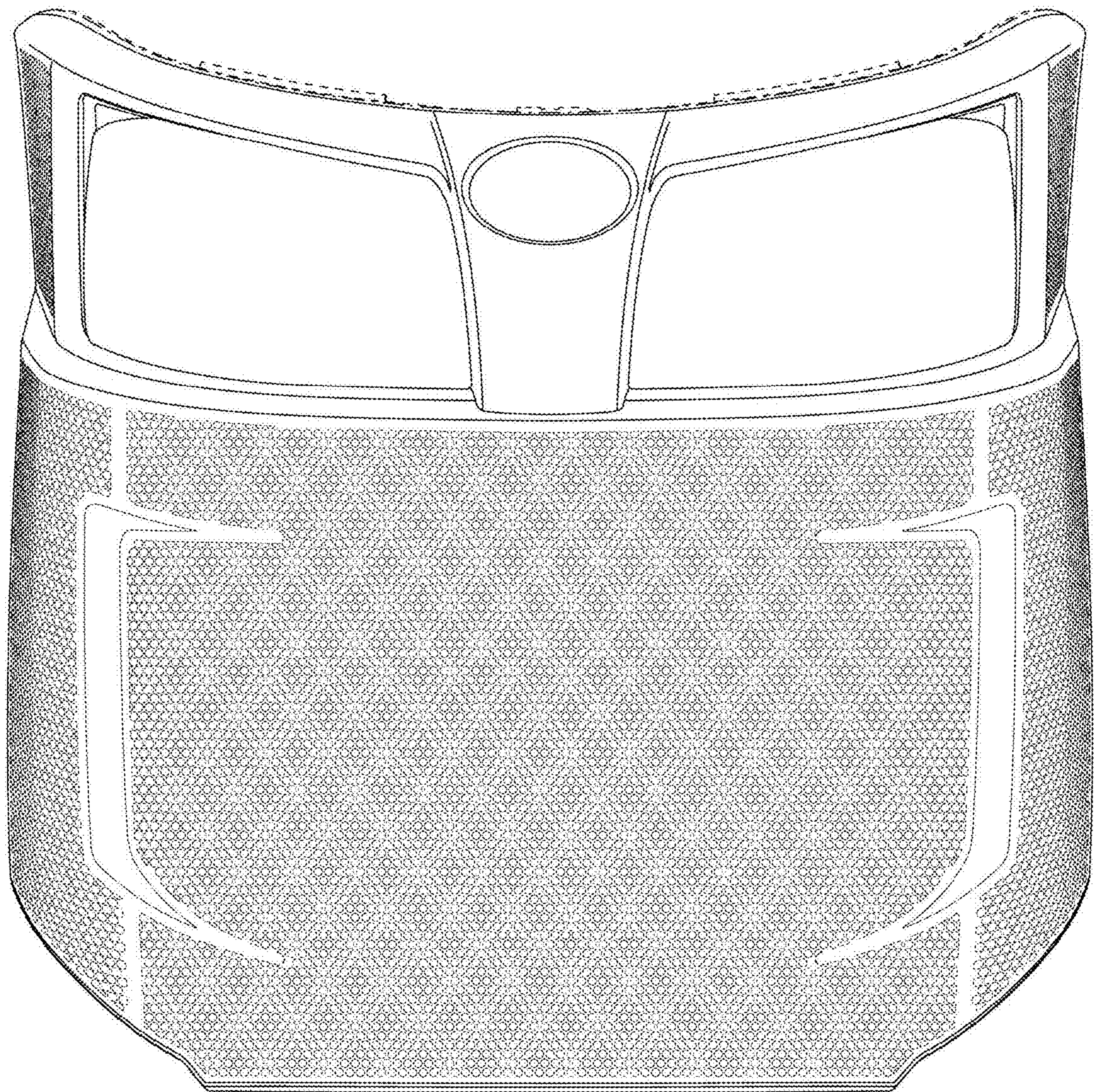
D521,532 S *	5/2006	Higashikawa	D15/31
D522,537 S *	6/2006	Higashikawa	D15/31
D538,306 S *	3/2007	Asada	D15/31
D622,292 S *	8/2010	Ryczek	D15/15
D622,295 S *	8/2010	Ryczek	D15/31
D626,975 S *	11/2010	Ryczek	D15/31
D662,524 S *	6/2012	Crookes	D15/31
D716,348 S *	10/2014	Ryan	D15/31
D785,053 S *	4/2017	Okuyama	D15/31
D804,539 S *	12/2017	Okuyama	D15/31
D809,025 S *	1/2018	Okuyama	D15/31
D928,203 S *	8/2021	Huenink	D15/31

* cited by examiner

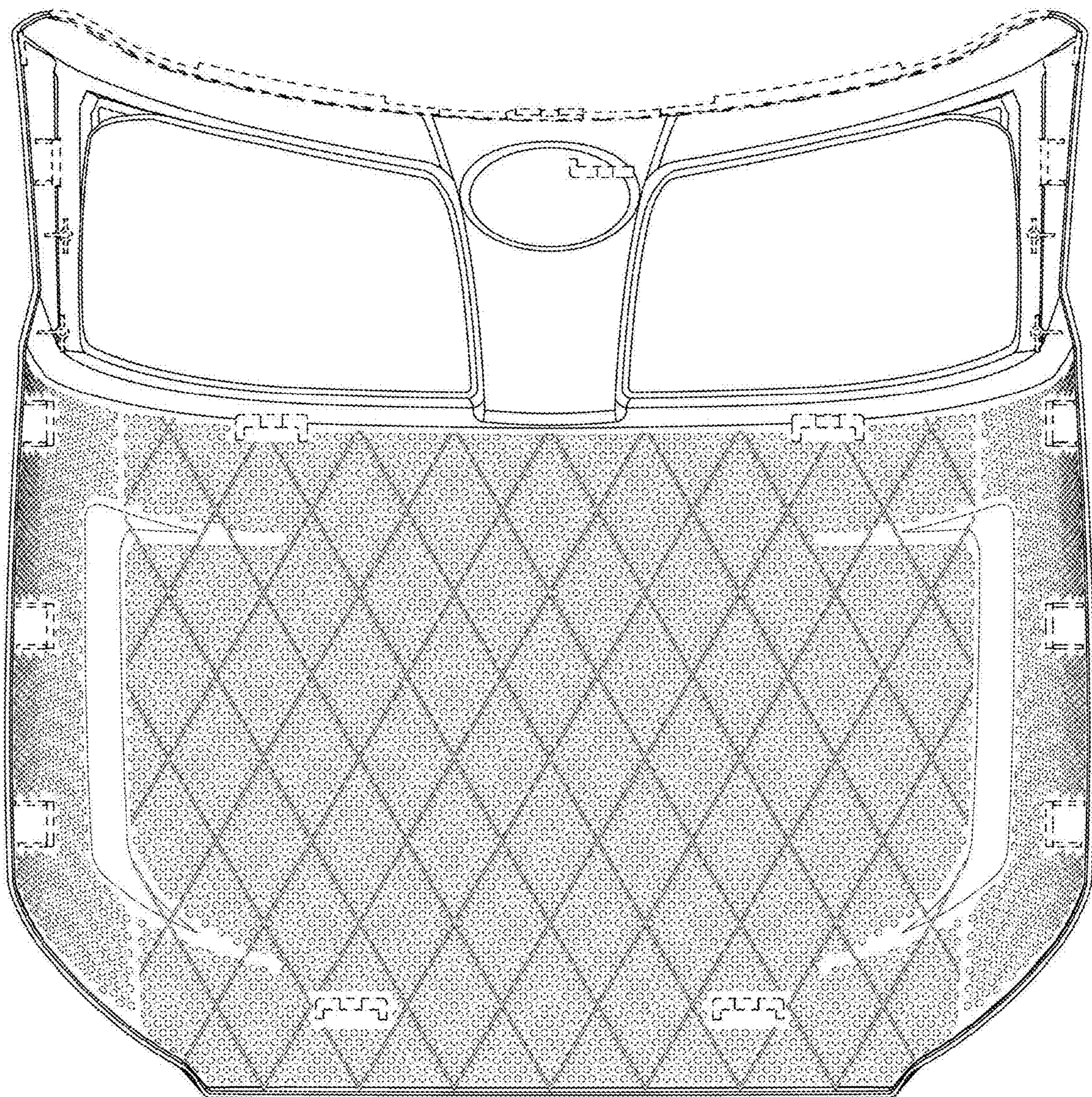
1.1



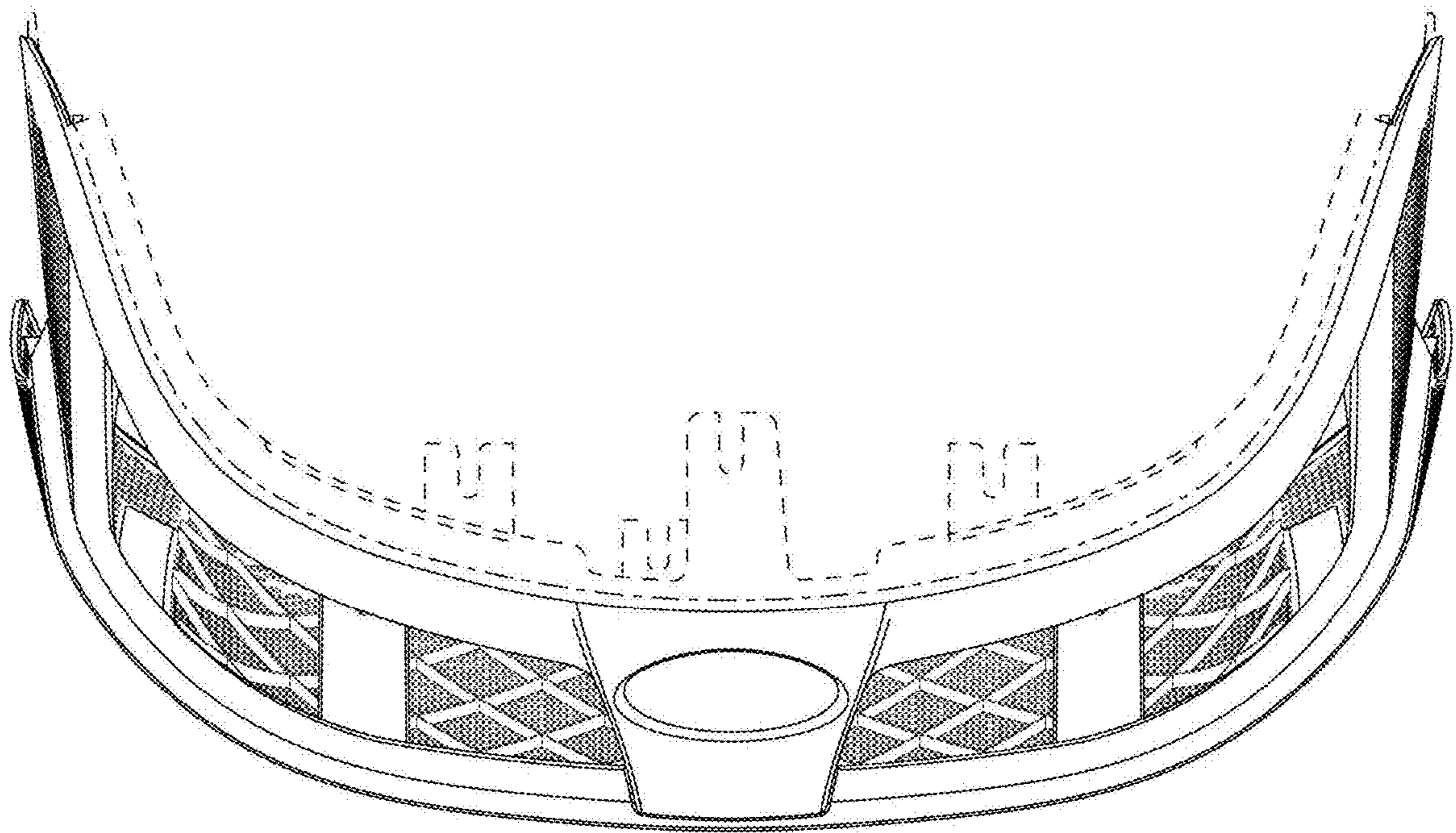
1.2



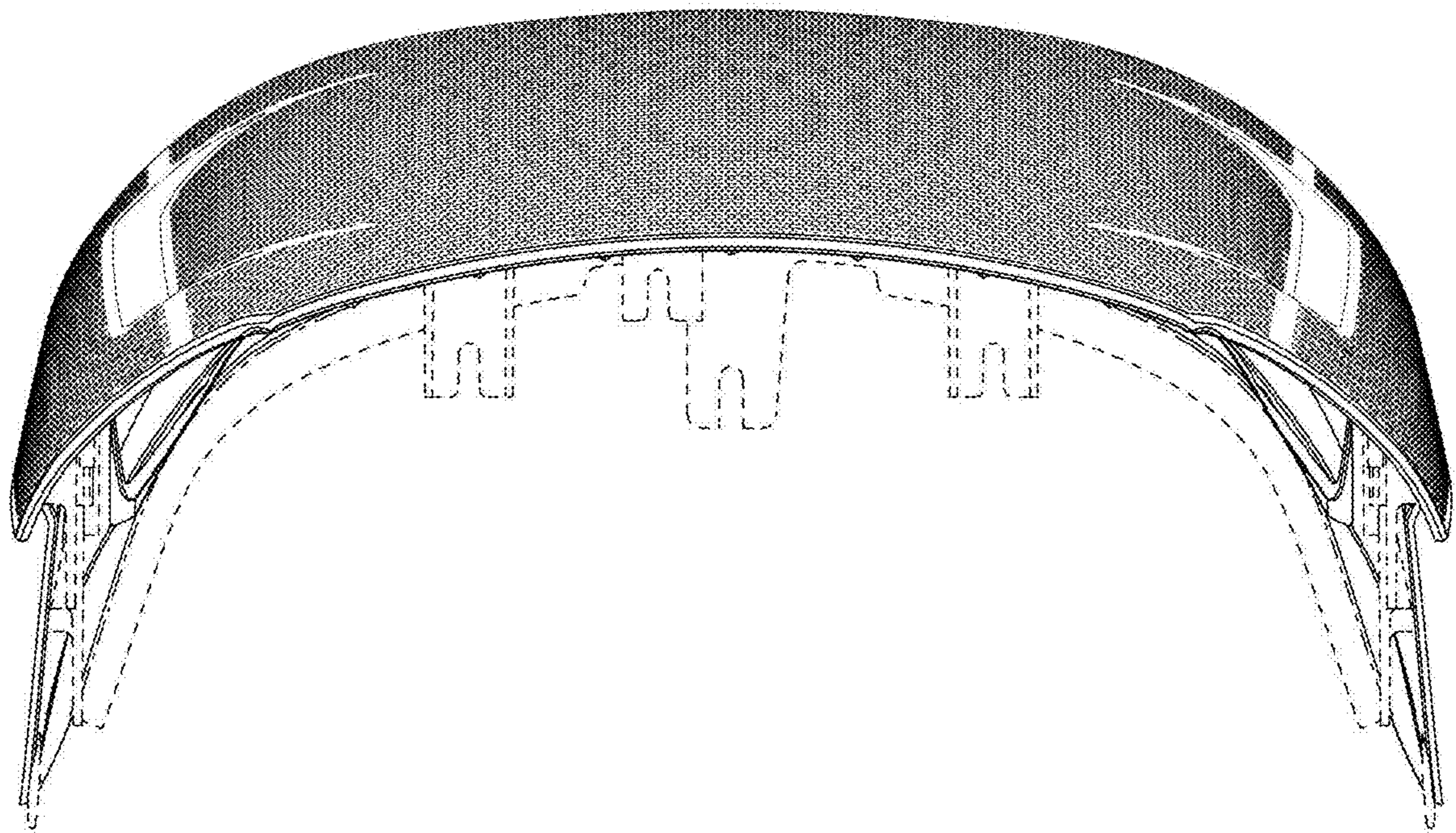
1.3



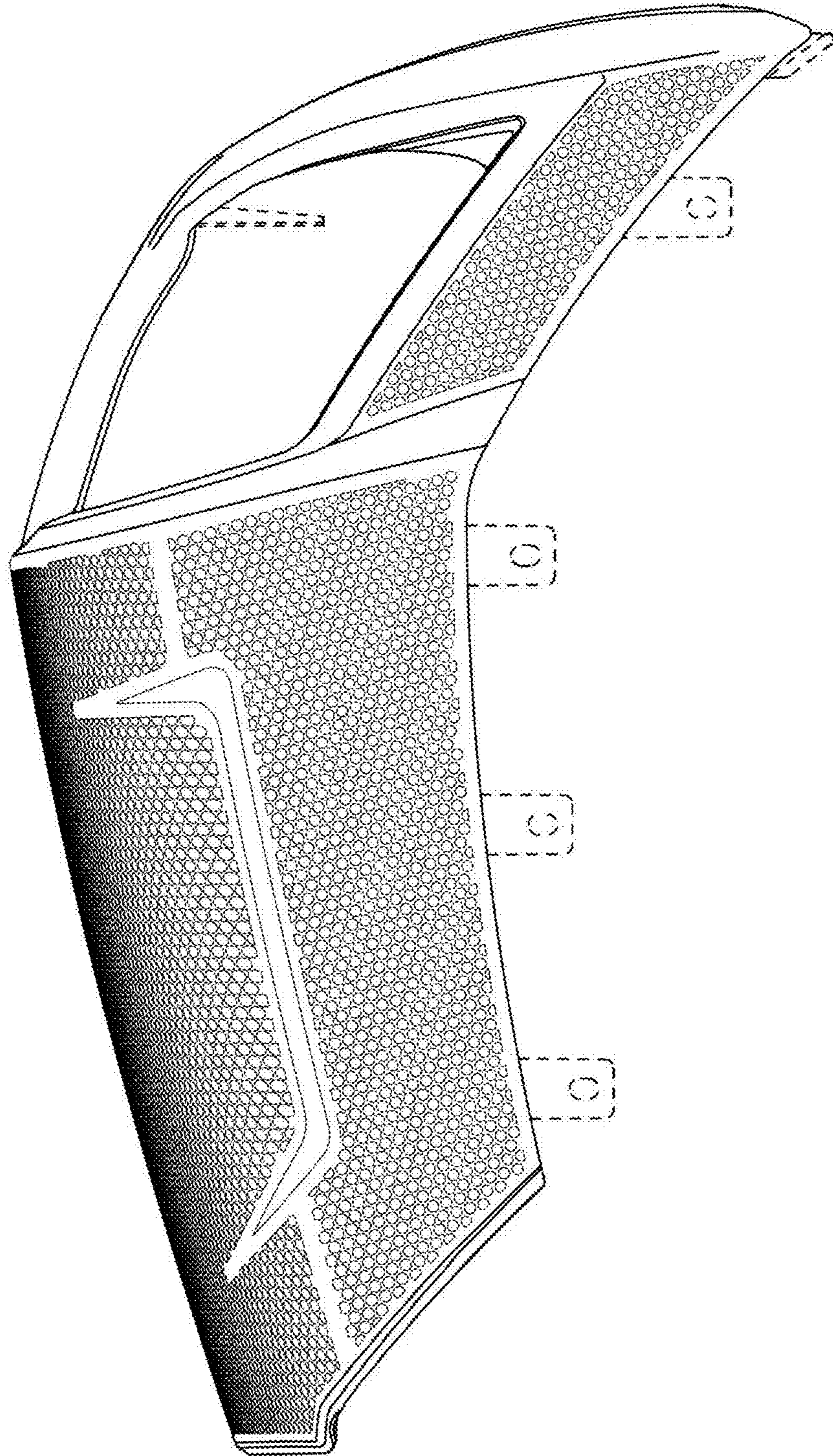
1.4



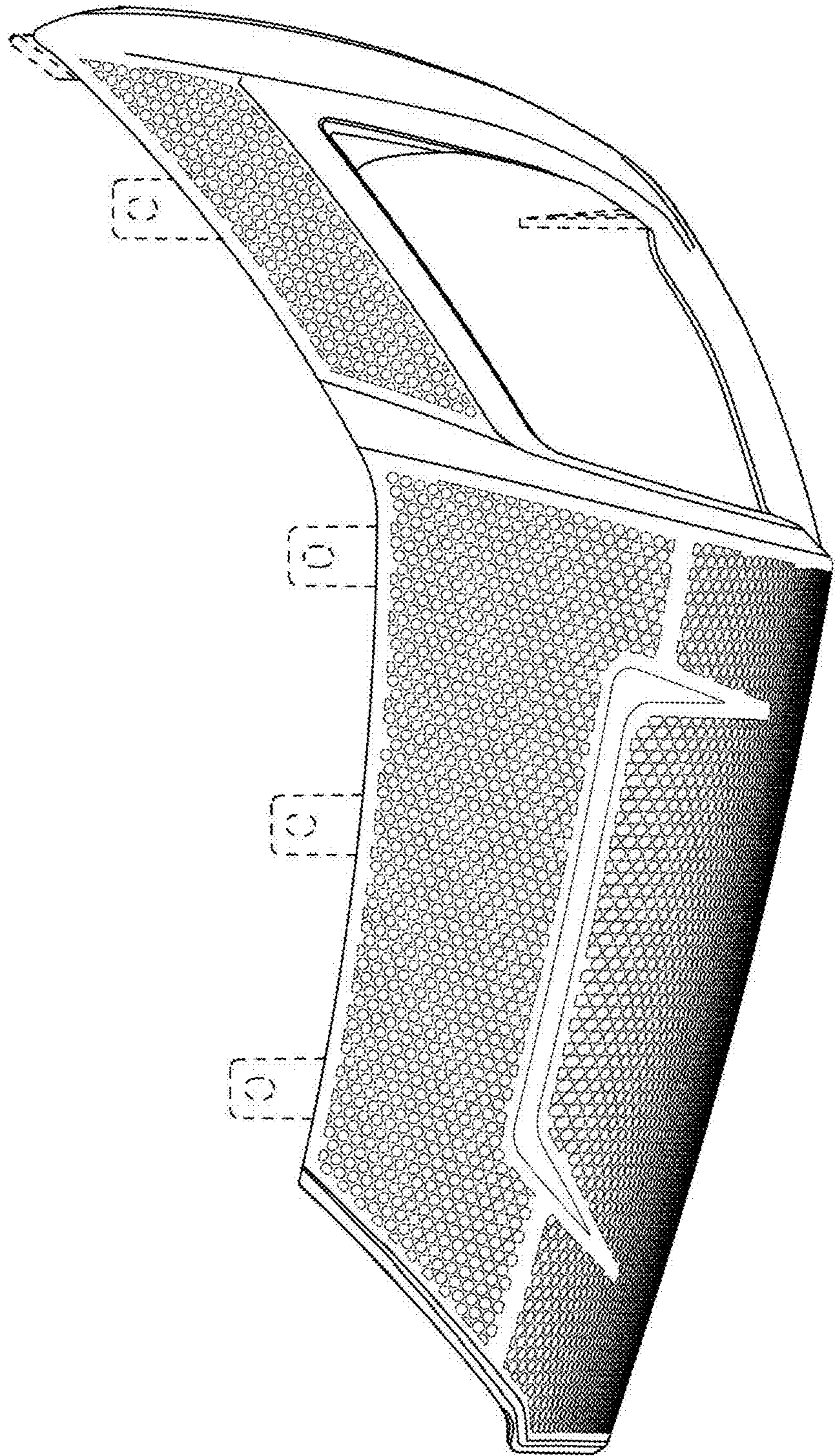
1.5



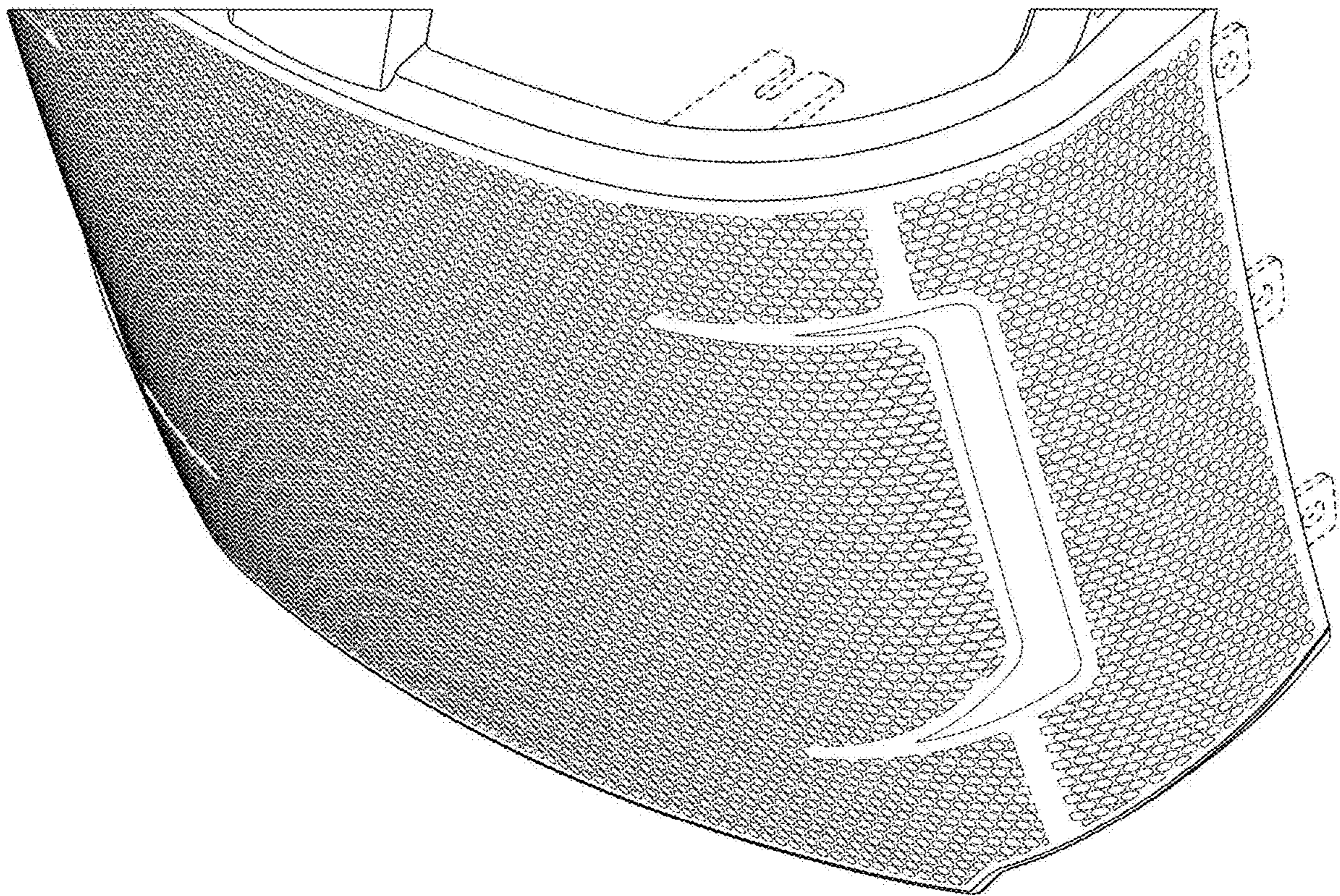
1.6



1.7



1.8



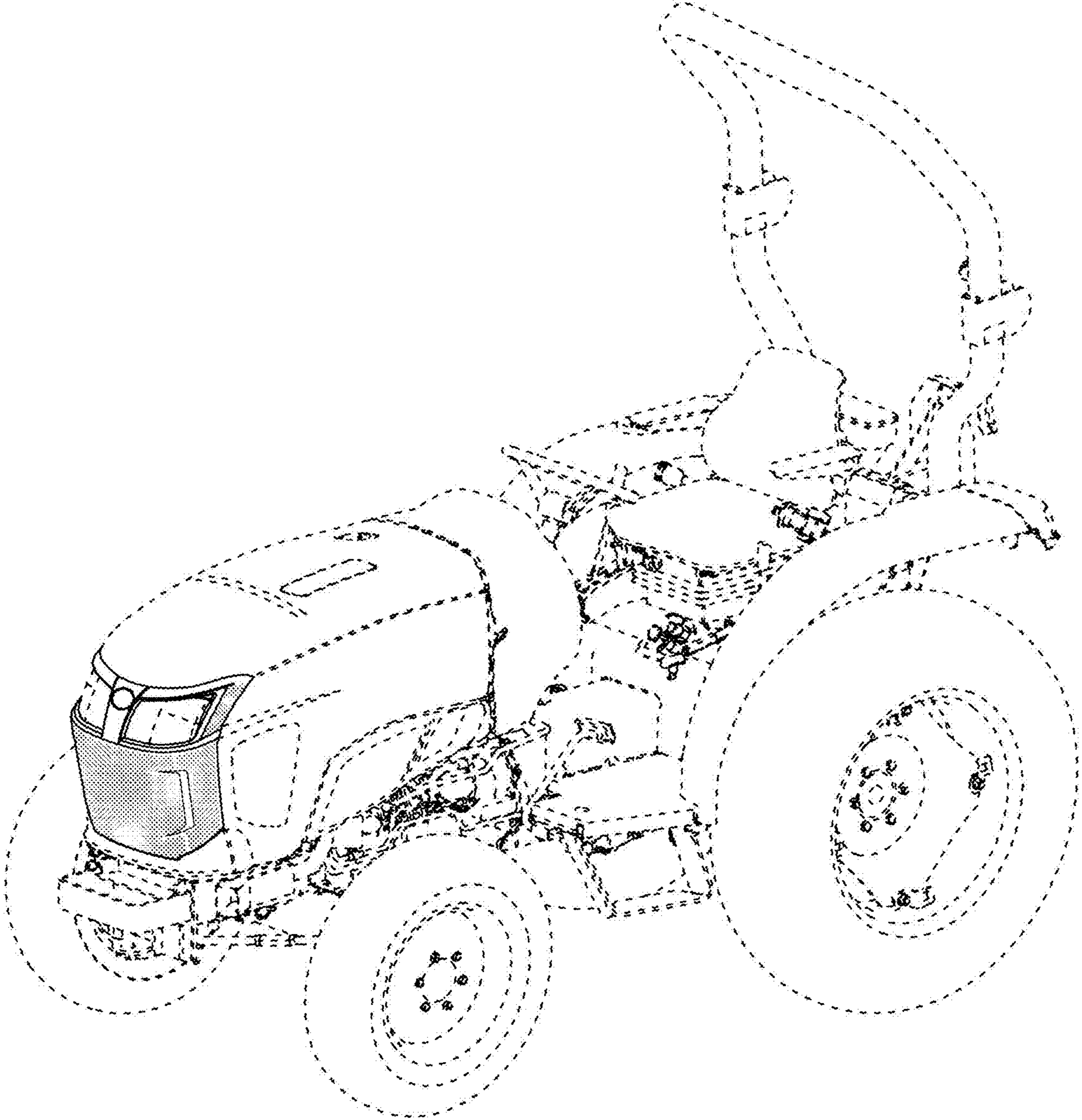


FIG. 1.9

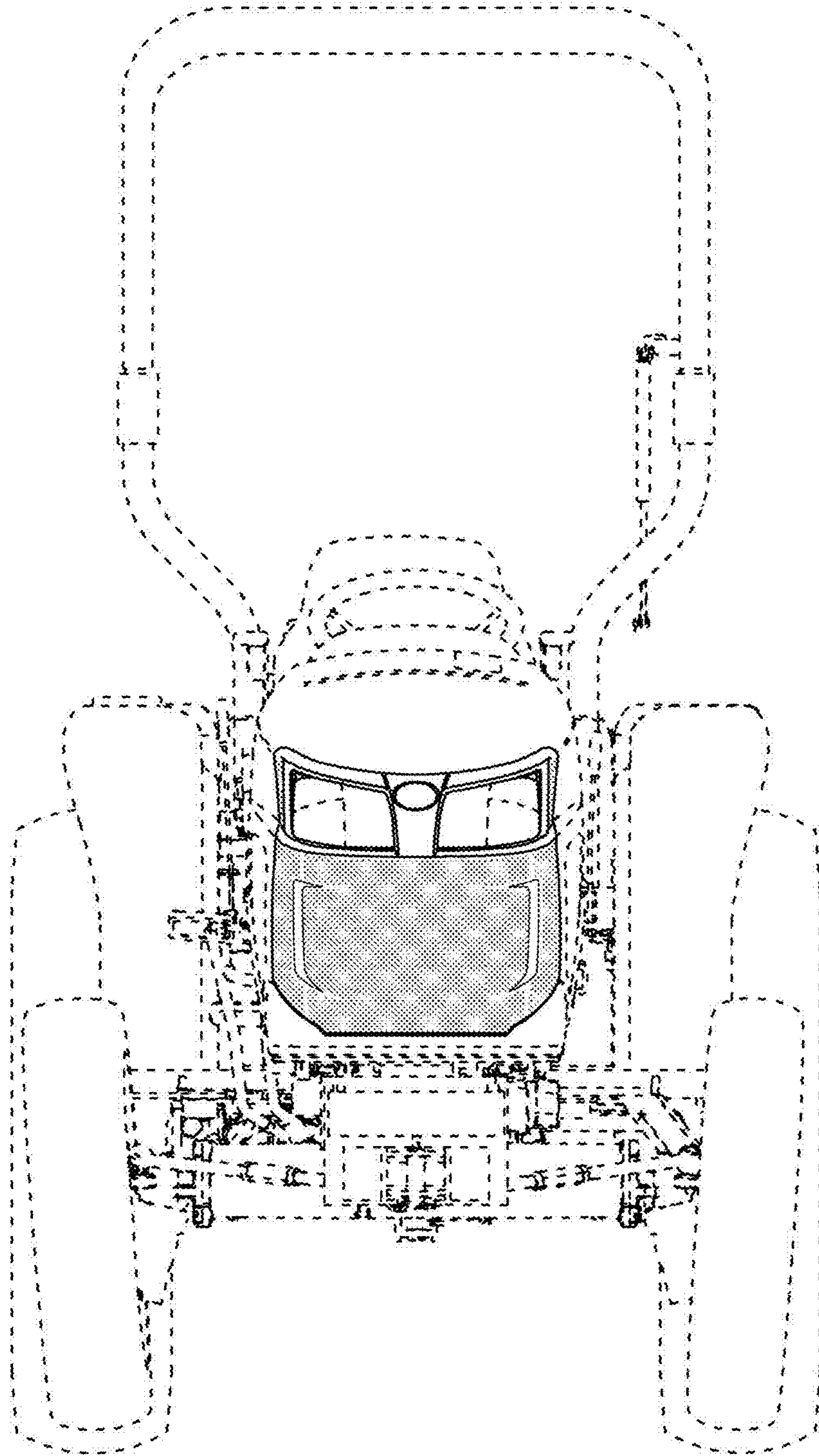


FIG. 1.10