



US00D960937S

(12) **United States Design Patent** (10) **Patent No.:** **US D960,937 S**
Lee et al. (45) **Date of Patent:** **** Aug. 16, 2022**

- (54) **BACKHOE LOADER**
- (71) Applicant: **CNH Industrial America LLC**, New Holland, PA (US)
- (72) Inventors: **James Lee**, Bolingbrook, IL (US);
Russell Meyer, Crystal Lake, IL (US);
William Venth, Chicago, IL (US)
- (73) Assignee: **CNH Industrial America LLC**, New Holland, PA (US)
- (**) Term: **15 Years**
- (21) Appl. No.: **29/805,784**
- (22) Filed: **Aug. 30, 2021**

- D570,382 S 6/2008 Higashikawa
- D574,022 S 7/2008 Higashikawa
- D591,777 S 5/2009 Kokitkar et al.
- D628,599 S * 12/2010 Major D15/25
- D629,017 S * 12/2010 Major D15/25
- D631,489 S 1/2011 Booth et al.
- D675,233 S 1/2013 Kushita et al.
- D706,841 S 6/2014 Shimomura et al.
- D707,729 S 6/2014 Jackson et al.
- D714,838 S 10/2014 Shimomura et al.
- D716,846 S 11/2014 Carter et al.
- D720,371 S 12/2014 Furukawa et al.
- D733,767 S 7/2015 Kushita et al.
- D766,340 S 2/2016 Jackson et al.
- D766,341 S 2/2016 Jacobsthal et al.
- D753,194 S 4/2016 Jackson et al.
- D753,195 S 4/2016 Jackson et al.
- D757,826 S 5/2016 Hartz et al.

(Continued)

Related U.S. Application Data

- (62) Division of application No. 29/726,627, filed on Mar. 4, 2020, now Pat. No. Des. 930,714.
- (51) **LOC (13) Cl.** **12-09**
- (52) **U.S. Cl.**
USPC **D15/25**
- (58) **Field of Classification Search**
USPC D15/10, 22-26, 33
CPC E02F 9/2004; E02F 9/07; E02F 9/2091;
E02F 9/2246; E02F 9/2292; E02F 9/026;
E02F 9/0808; E02F 9/0833; E02F 9/0858;
E02F 9/0875; E02F 9/2045; E02F 3/627;
E02F 3/425; E02F 3/437; E02F 3/325;
E02F 3/352; E02F 3/384; E02F 3/00;
E02F 3/04; E02F 3/96; E02F 3/964;
B62D 21/186; B62D 49/06
See application file for complete search history.

Primary Examiner — Mark A Goodwin

(74) Attorney, Agent, or Firm — Peter Zacharias; Patrick Sheldrake

(57) **CLAIM**

The ornamental design for a backhoe loader, as shown and described.

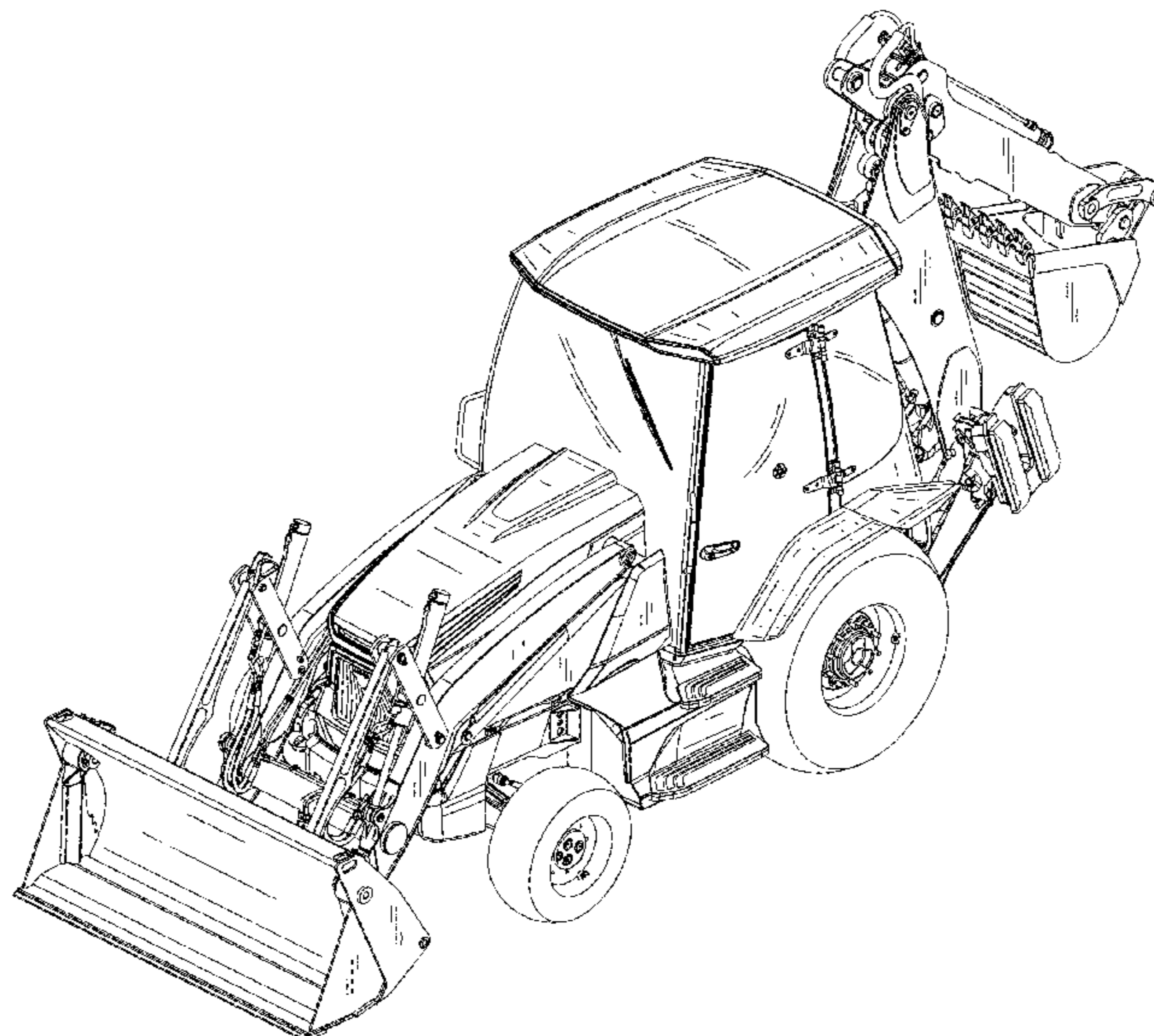
DESCRIPTION

FIG. 1 is a perspective view of a backhoe loader.
FIG. 2 is a front view of the backhoe loader of FIG. 1.
FIG. 3 is a rear view of the backhoe loader of FIG. 1.
FIG. 4 is a left side view of the backhoe loader of FIG. 1.
FIG. 5 is a right side view of the backhoe loader of FIG. 1.
FIG. 6 is a top view of the backhoe loader of FIG. 1; and,
FIG. 7 is a bottom view of the backhoe loader of FIG. 1.
Portions of the backhoe loader shown in broken lines form no part of the claimed design.

(56) **References Cited**
U.S. PATENT DOCUMENTS

- D557,714 S 12/2007 Higashikawa
- D558,799 S 1/2008 Higashikawa

1 Claim, 7 Drawing Sheets



(56)

References Cited

U.S. PATENT DOCUMENTS

D759,129 S	6/2016	Kushita et al.	
D760,815 S	7/2016	Okuyama et al.	
D765,740 S	9/2016	Jackson et al.	
D768,210 S	10/2016	Jacobsthal et al.	
D777,220 S	1/2017	Powell	
D778,963 S	2/2017	Fang et al.	
D785,681 S	5/2017	Okuyama et al.	
D804,539 S	12/2017	Okuyama et al.	
D837,837 S	1/2019	Park	
D843,421 S	3/2019	Gonzales et al.	
D854,056 S	7/2019	Futagami et al.	
D904,467 S *	12/2020	Iwamoto	E02F 9/0841 D15/23
D909,423 S *	2/2021	Zhao	D15/25
D912,101 S *	3/2021	Pastier	D15/25

* cited by examiner

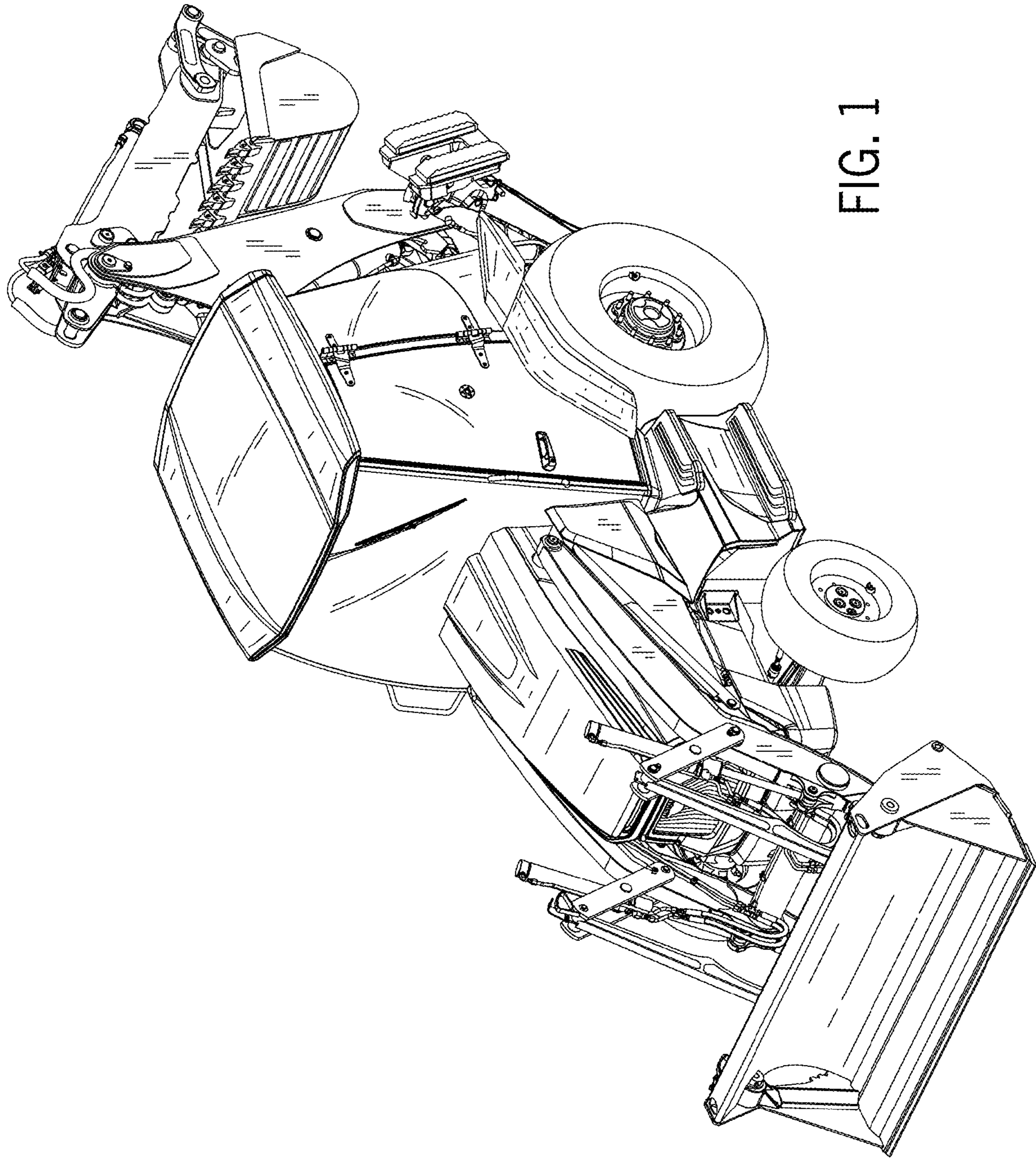


FIG. 1

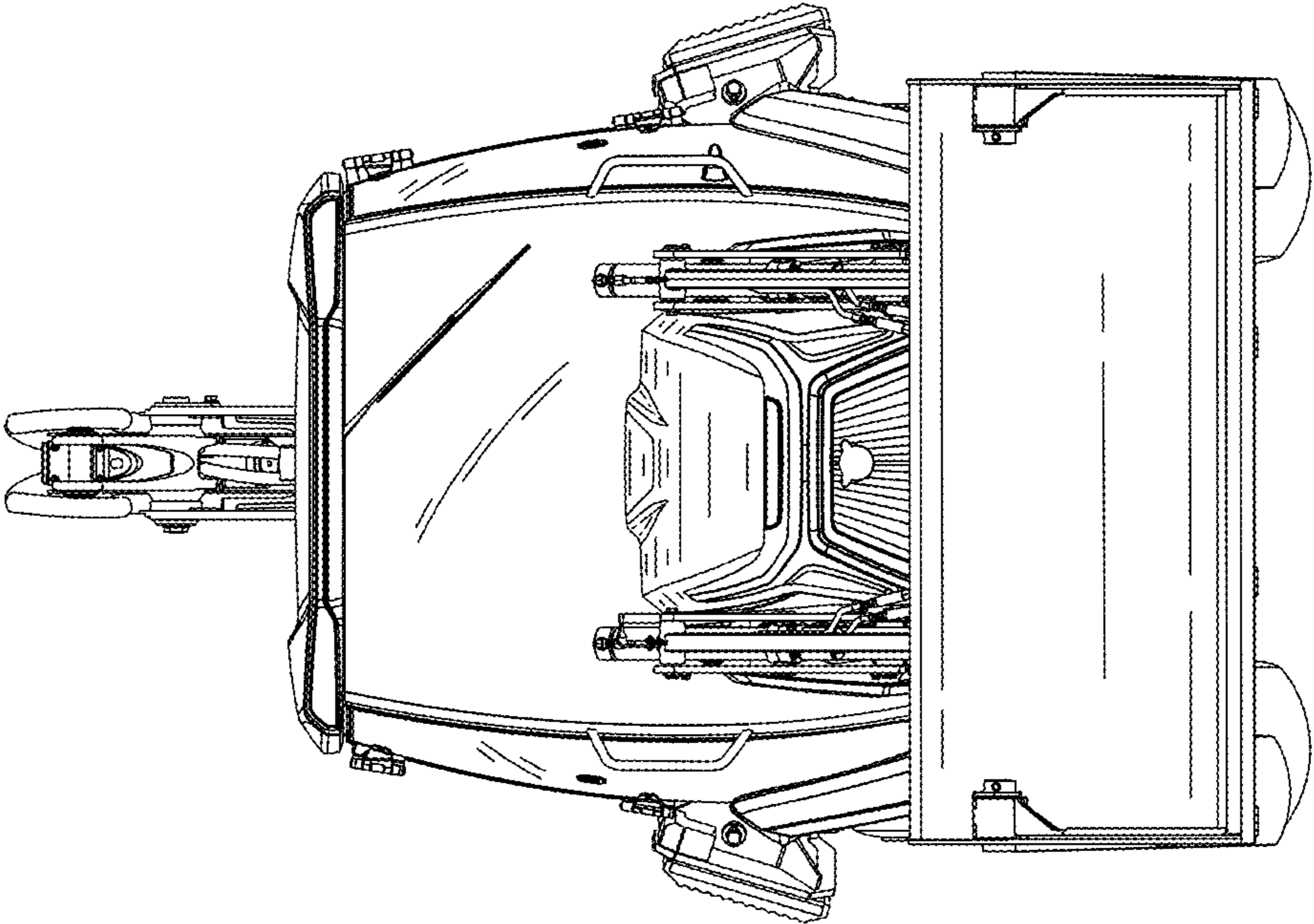


FIG. 2

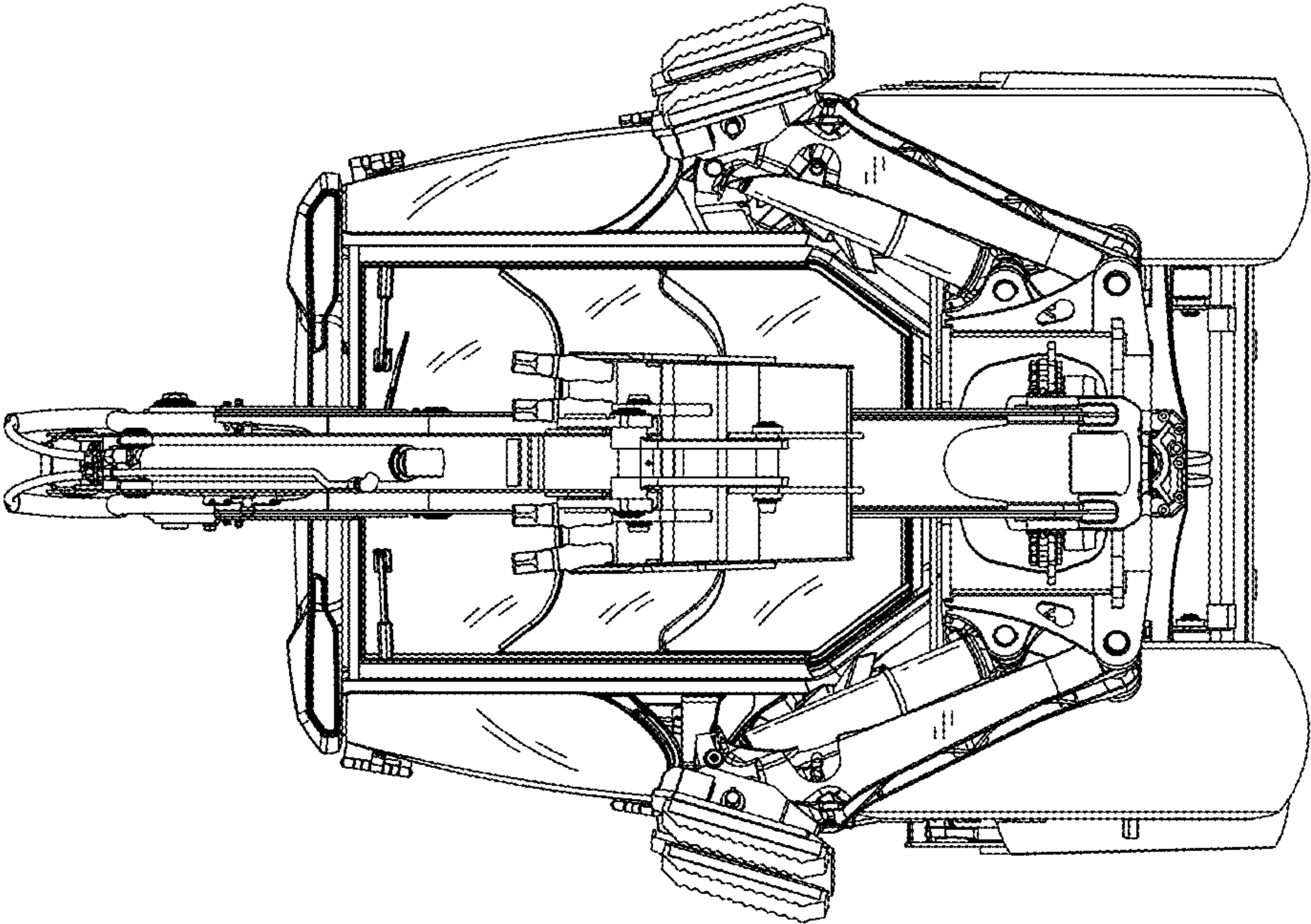


FIG. 3

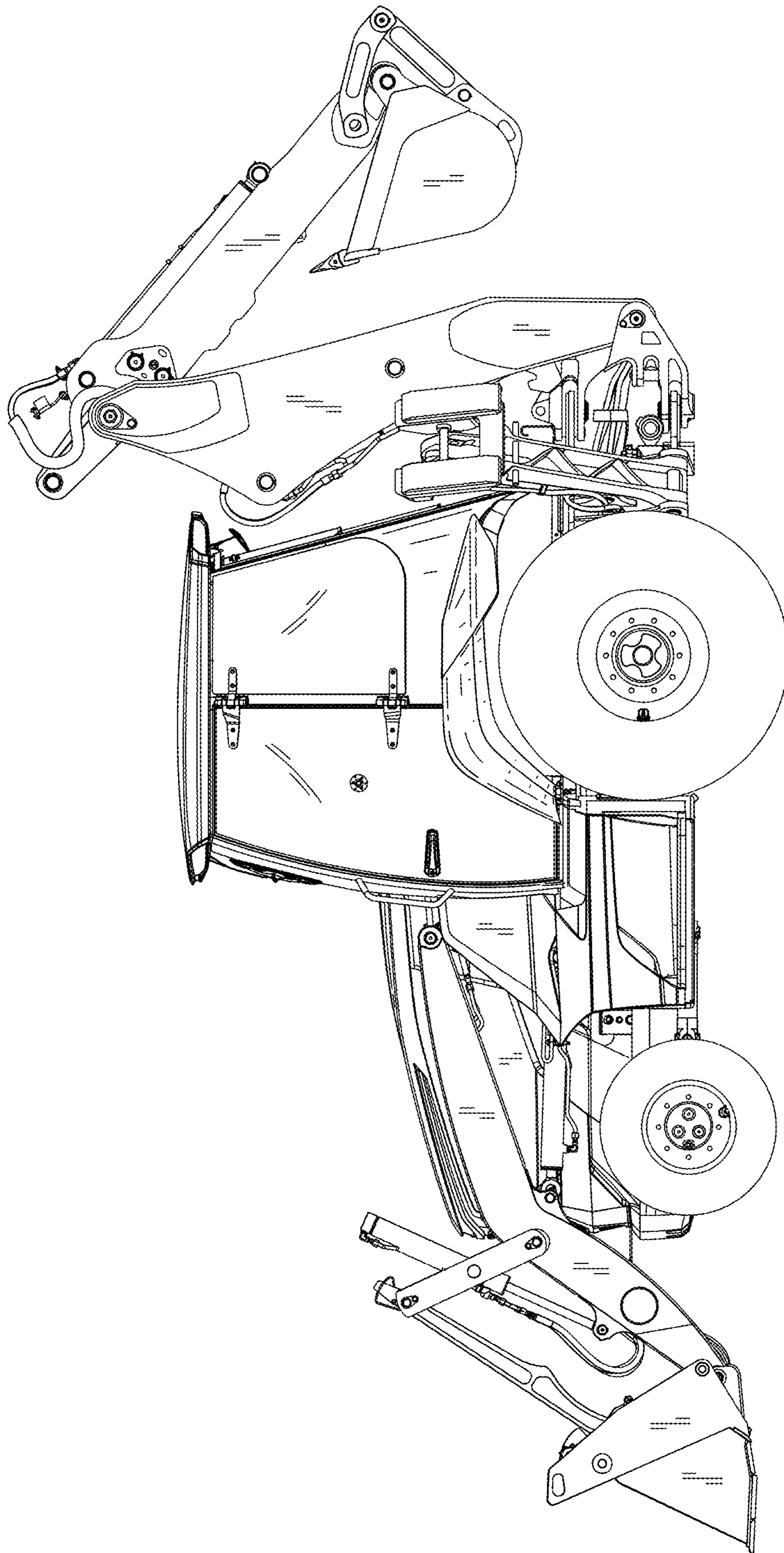


FIG. 4

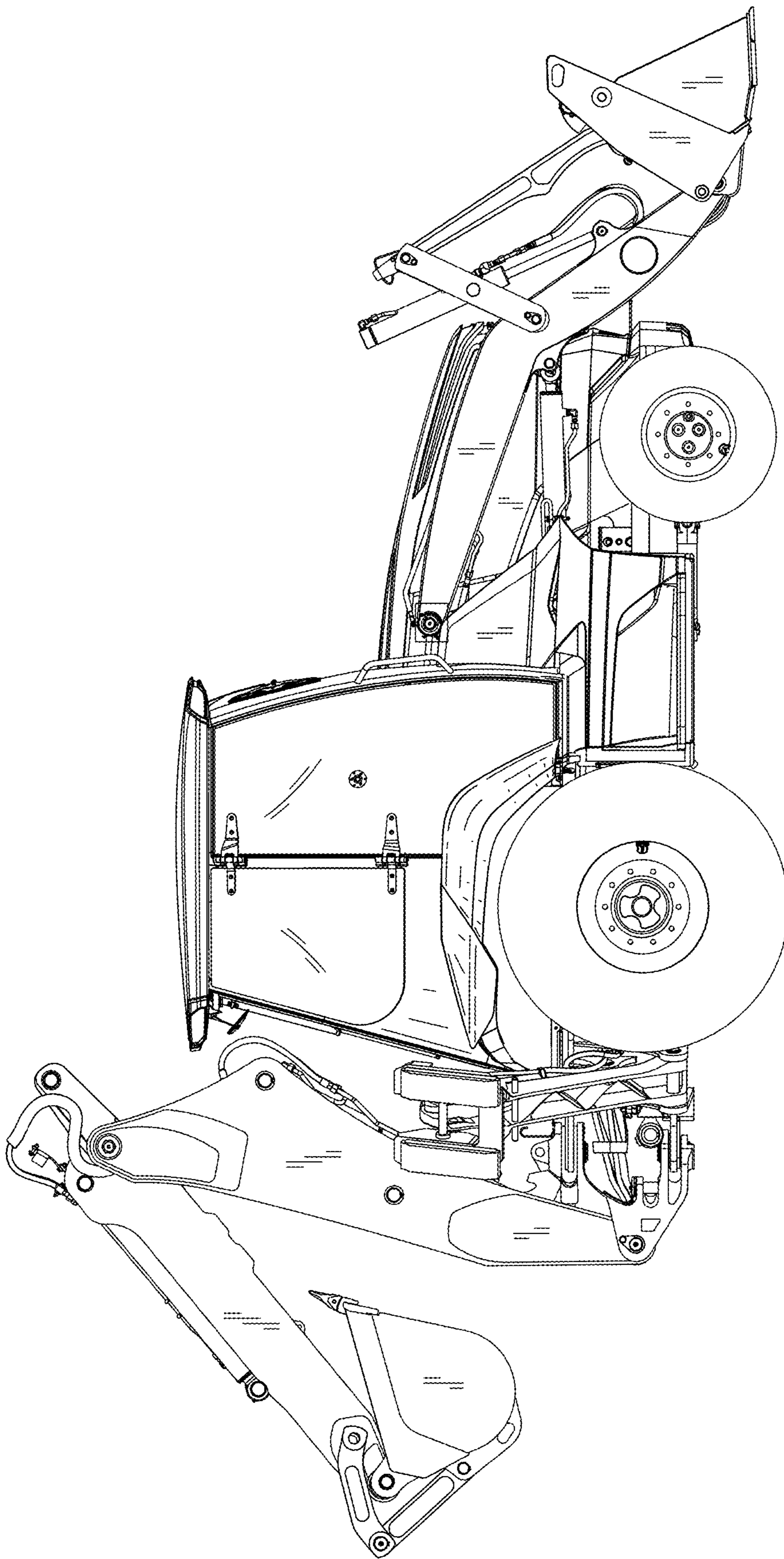


FIG. 5

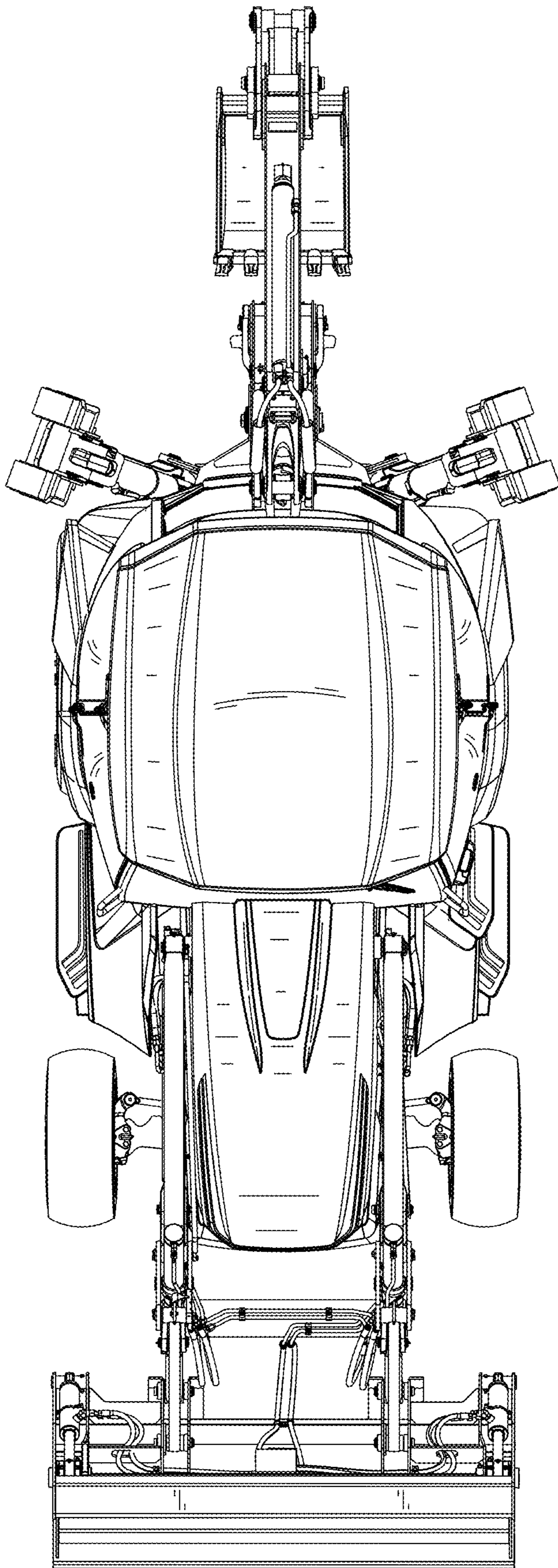


FIG. 6

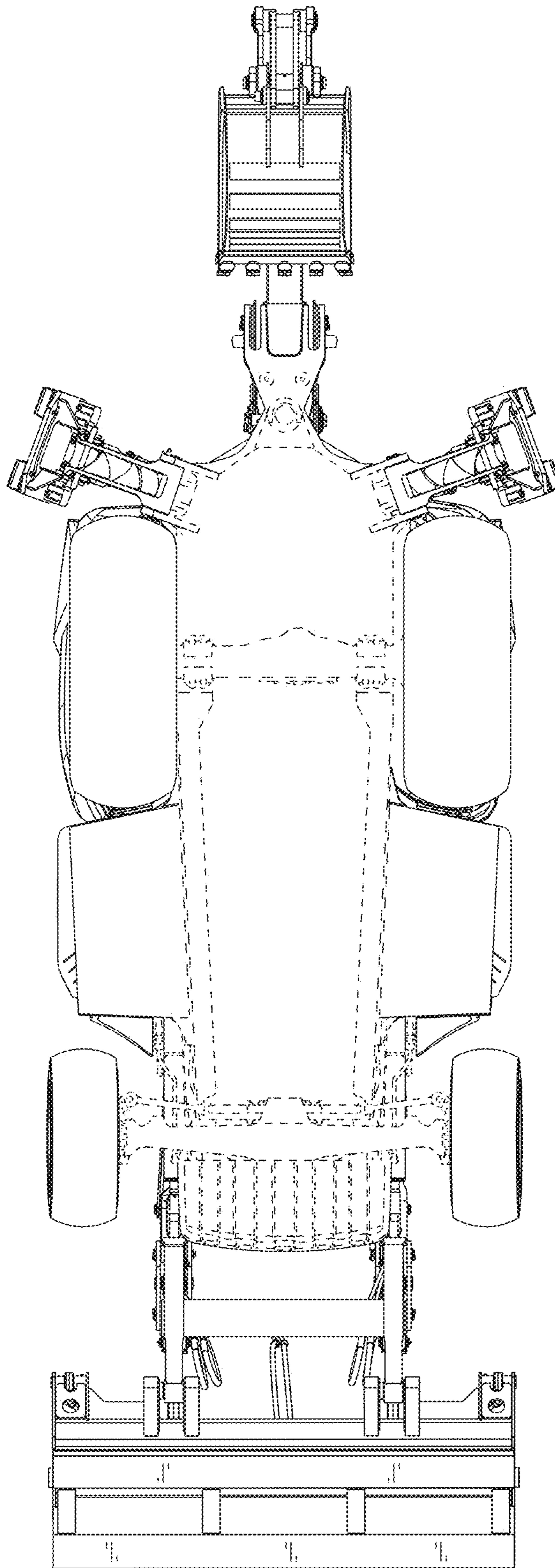


FIG. 7