



US00D960936S

(12) **United States Design Patent**
Swartz et al.

(10) **Patent No.:** **US D960,936 S**

(45) **Date of Patent:** **** Aug. 16, 2022**

(54) **TRACKED VEHICLE**

(71) Applicant: **Lennartsfors AB, Årjäng (SE)**

(72) Inventors: **Mikael Swartz, Töcksfors (SE); Henrik Kihlgren, Årjäng (SE)**

(73) Assignee: **Lennartsfors AB, Arjang (SE)**

(**) Term: **15 Years**

(21) Appl. No.: **29/773,599**

(22) Filed: **Mar. 10, 2021**

(51) **LOC (13) Cl.** **12-09**

(52) **U.S. Cl.**
USPC **D15/24**

(58) **Field of Classification Search**
USPC D15/10, 21–26, 33, 199; D12/13, 14, 1;
D34/34
CPC A01B 69/00; G05D 1/00; G05D 1/021;
B62D 55/065; B62D 55/084; B60P 3/00;
A62C 27/00

See application file for complete search history.

(56) **References Cited**

U.S. PATENT DOCUMENTS

2,435,617	A *	2/1948	Werkenthin	B62D 55/0963
					305/137
D314,388	S *	2/1991	Brewer	D15/24
D320,579	S *	10/1991	Manning	D12/1
D348,551	S *	7/1994	Pratt	D34/28
5,451,135	A *	9/1995	Schempf	B08B 9/0933
					280/42
D463,454	S *	9/2002	Miller	D15/22
D516,587	S *	3/2006	Bares	D15/23
D657,394	S *	4/2012	Chapman	D15/24
D763,928	S *	8/2016	Okuyama	D15/25
D786,312	S *	5/2017	Okuyama	D15/24
D808,441	S *	1/2018	Brueggen	D15/24

D808,442	S *	1/2018	Brueggen	D15/24
D809,570	S *	2/2018	Brueggen	D15/24
D827,675	S *	9/2018	Bolinder	D15/21
D879,854	S *	3/2020	Lu	D15/199
D922,445	S *	6/2021	Li	D15/24
2015/0105965	A1 *	4/2015	Blackwell	A01B 69/008
					701/28
2020/0391060	A1 *	12/2020	Rieder	A62C 3/0221

* cited by examiner

Primary Examiner — Mark A Goodwin

(74) *Attorney, Agent, or Firm* — Schott, PC.

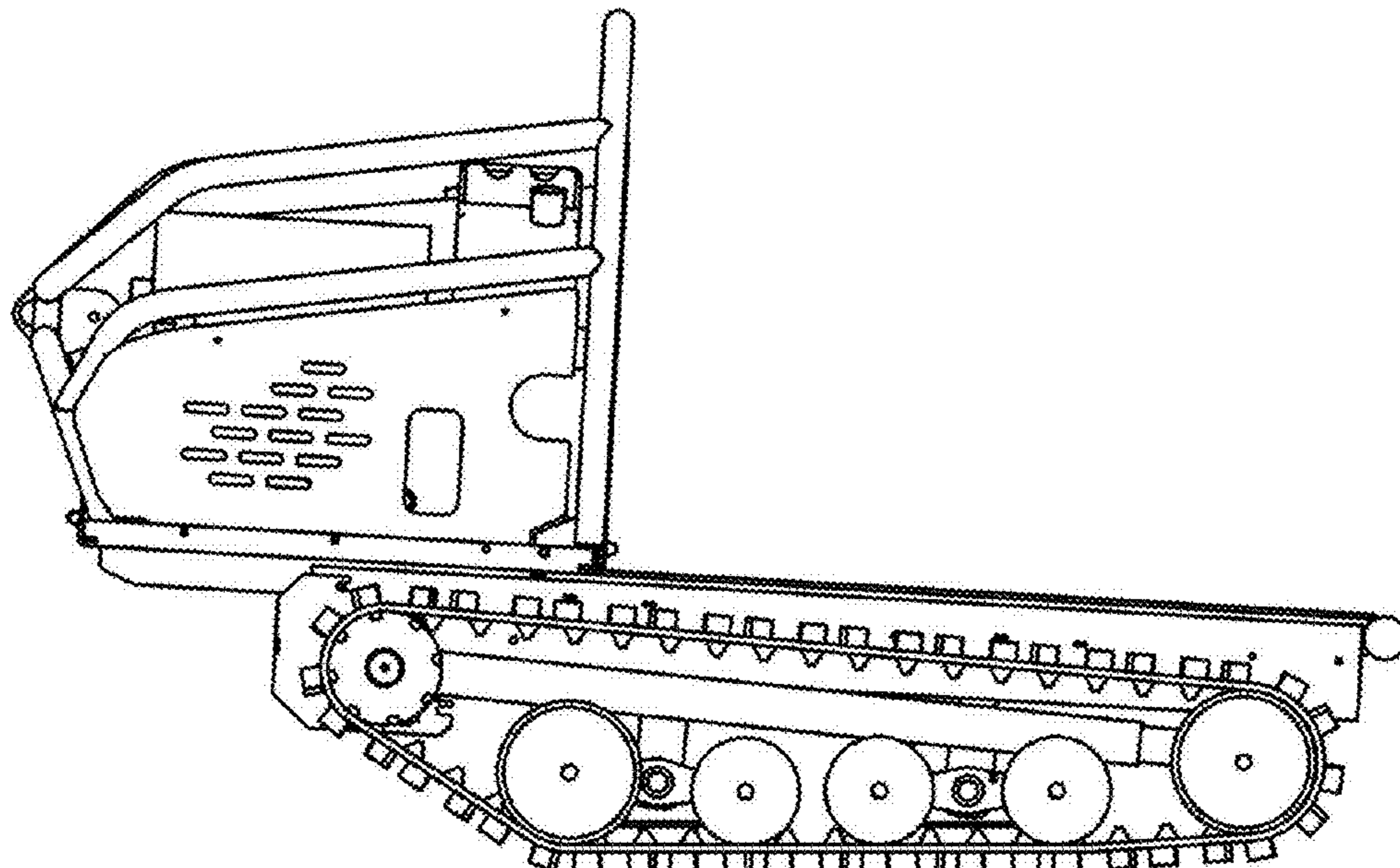
(57) **CLAIM**

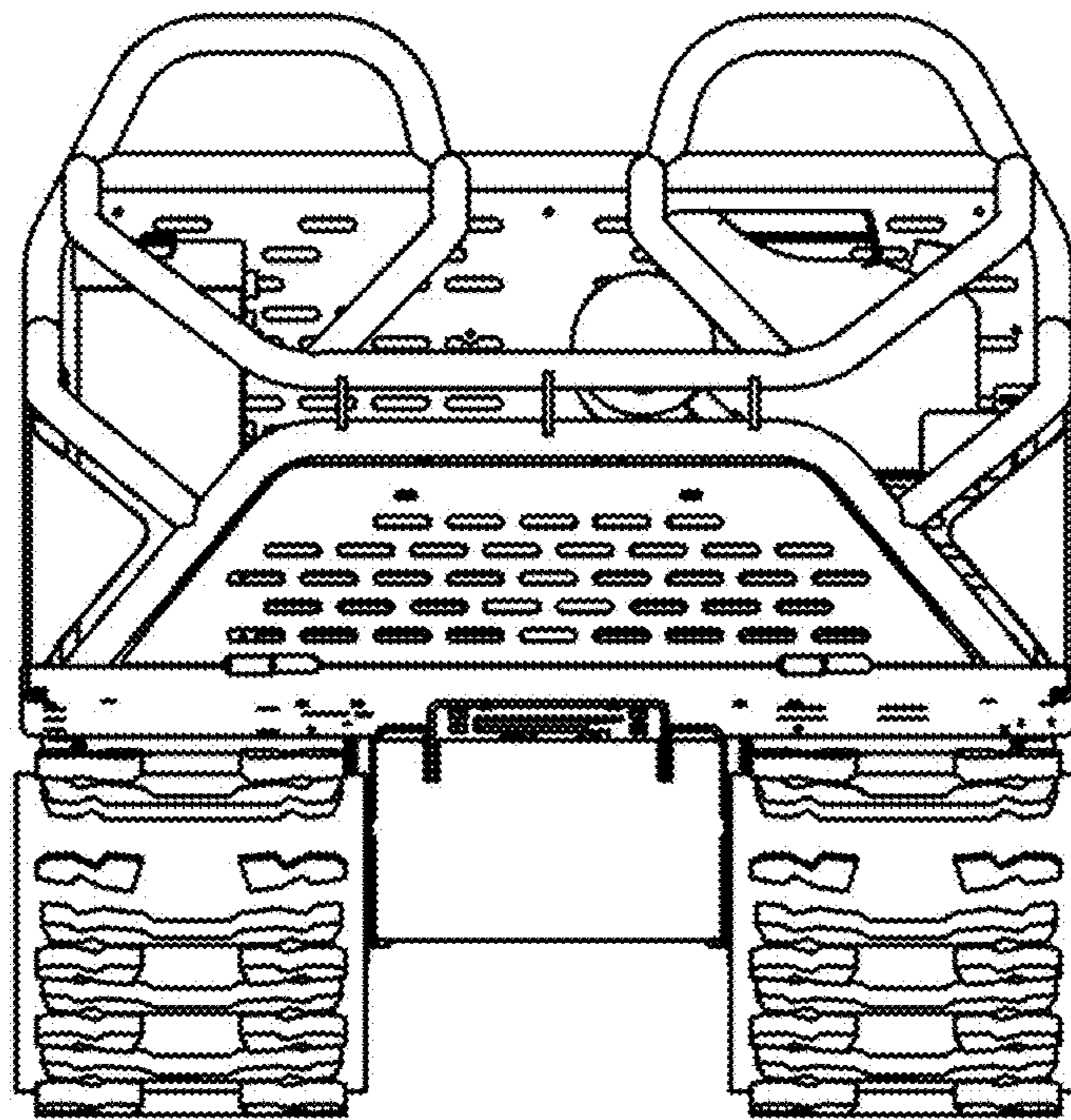
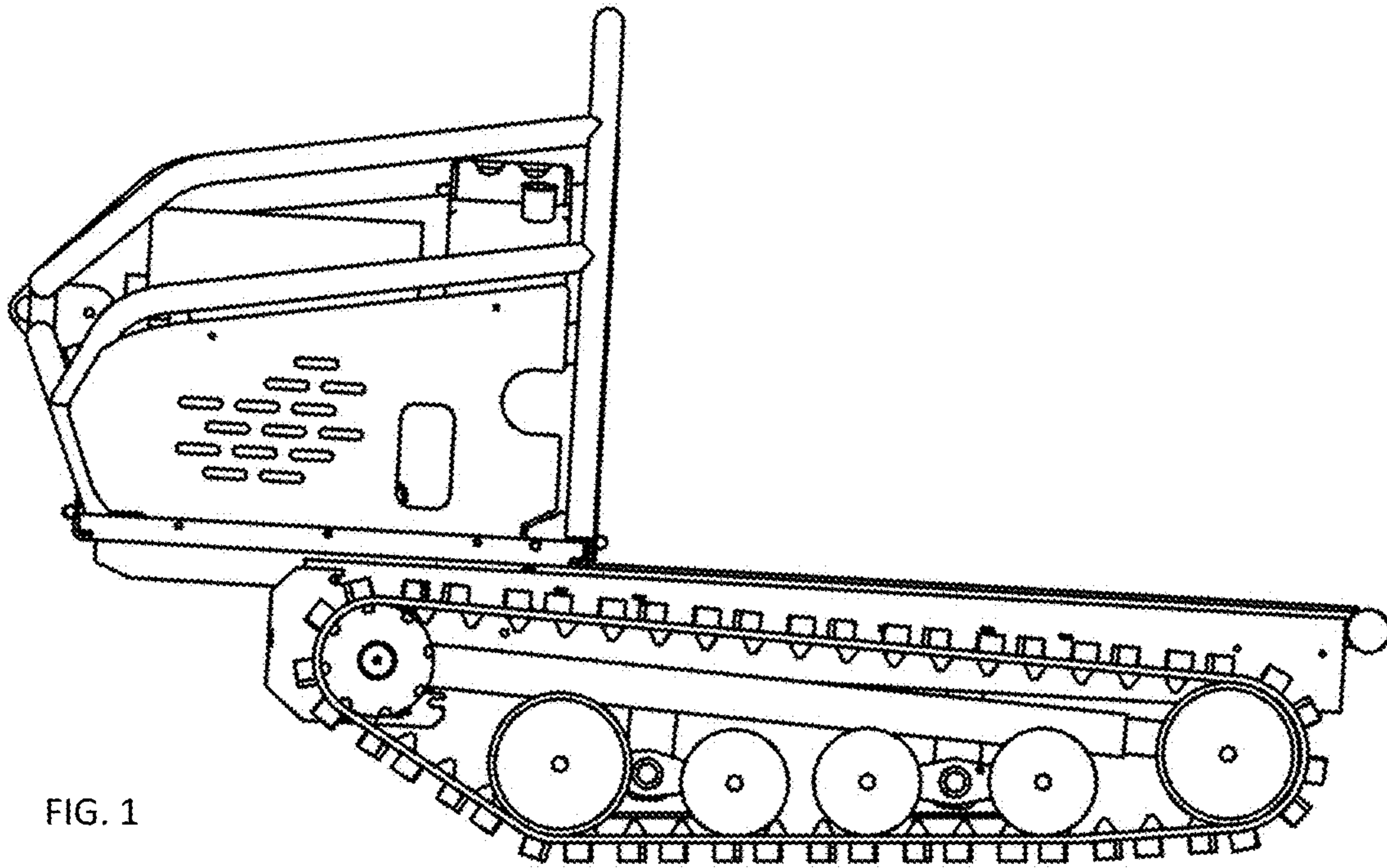
The ornamental design for a tracked vehicle, as shown and described.

DESCRIPTION

FIG. 1 is a right side view of a tracked vehicle showing our new design.
 FIG. 2 is a front side view thereof.
 FIG. 3 is a left side view thereof.
 FIG. 4 is a rear view thereof.
 FIG. 5 is a top view thereof.
 FIG. 6 is a perspective view thereof.
 FIG. 7 is a right side view of the tracked vehicle in in a second position thereof.
 FIG. 8 is a front side view of the tracked vehicle in the second position.
 FIG. 9 is a left side view of the tracked vehicle in the second position.
 FIG. 10 is a rear view of the tracked vehicle in the second position.
 FIG. 11 is a top view of the tracked vehicle in the second position; and,
 FIG. 12 is a perspective view of the tracked vehicle in the second position.

1 Claim, 6 Drawing Sheets





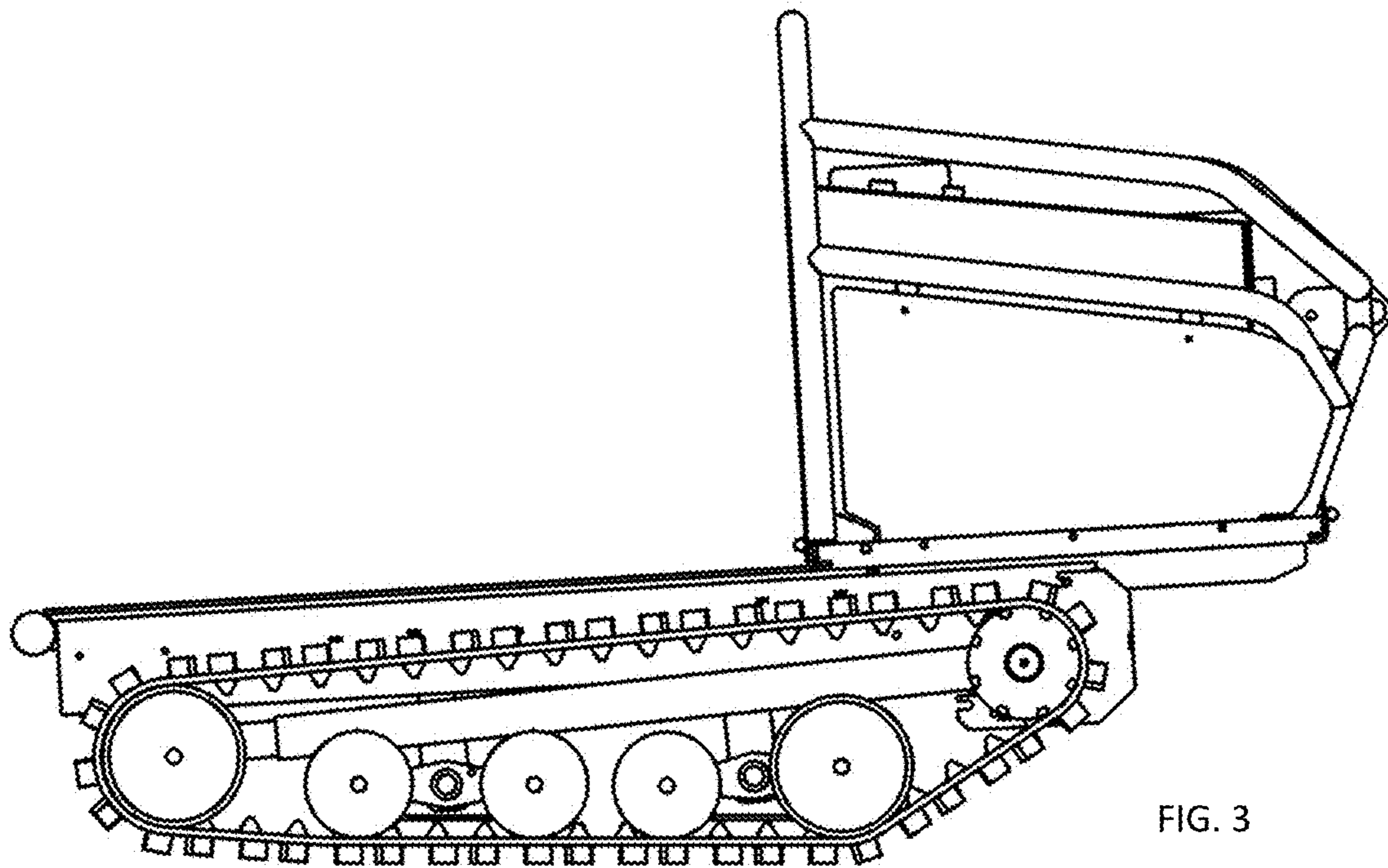


FIG. 3

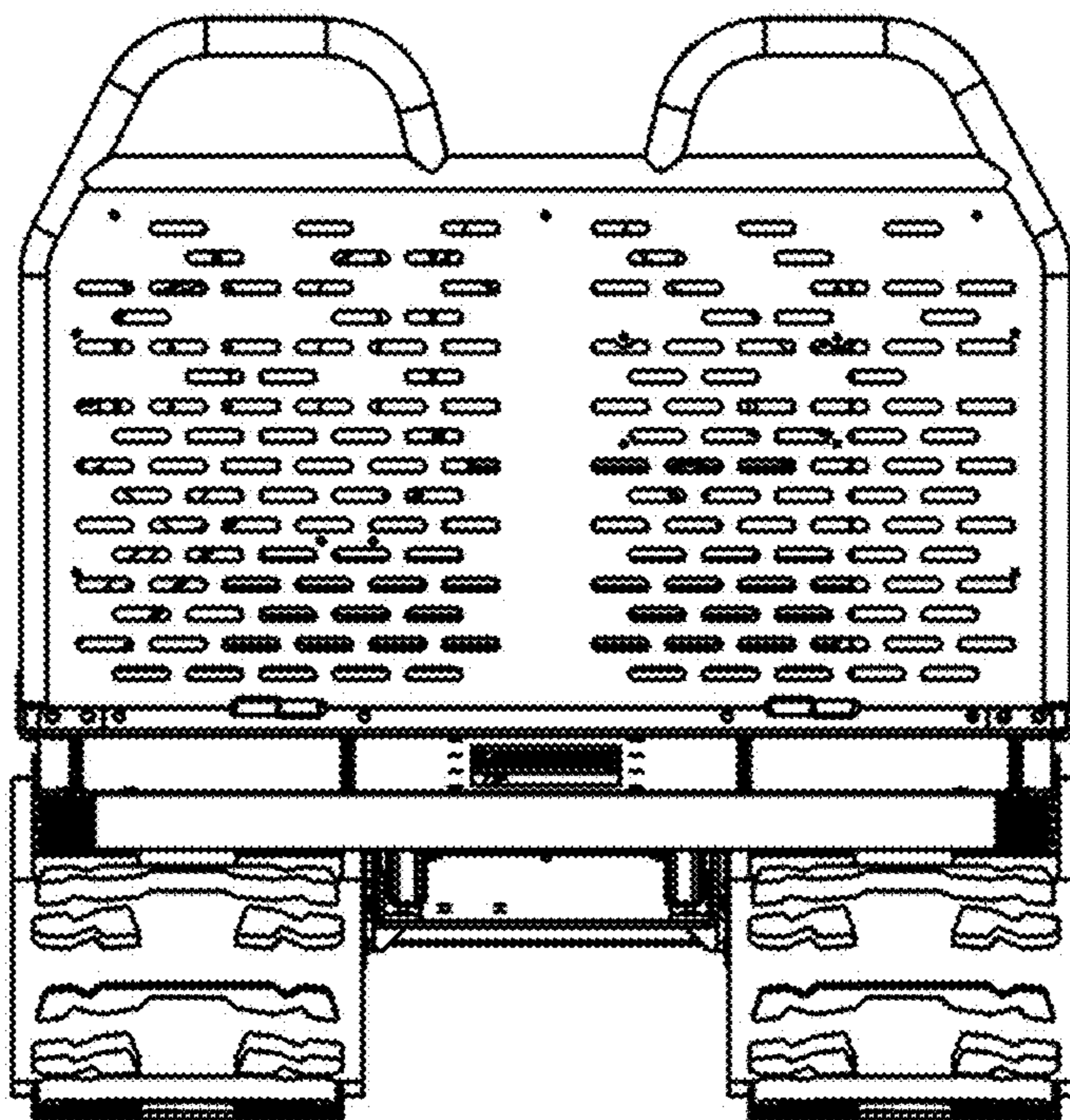


FIG. 4

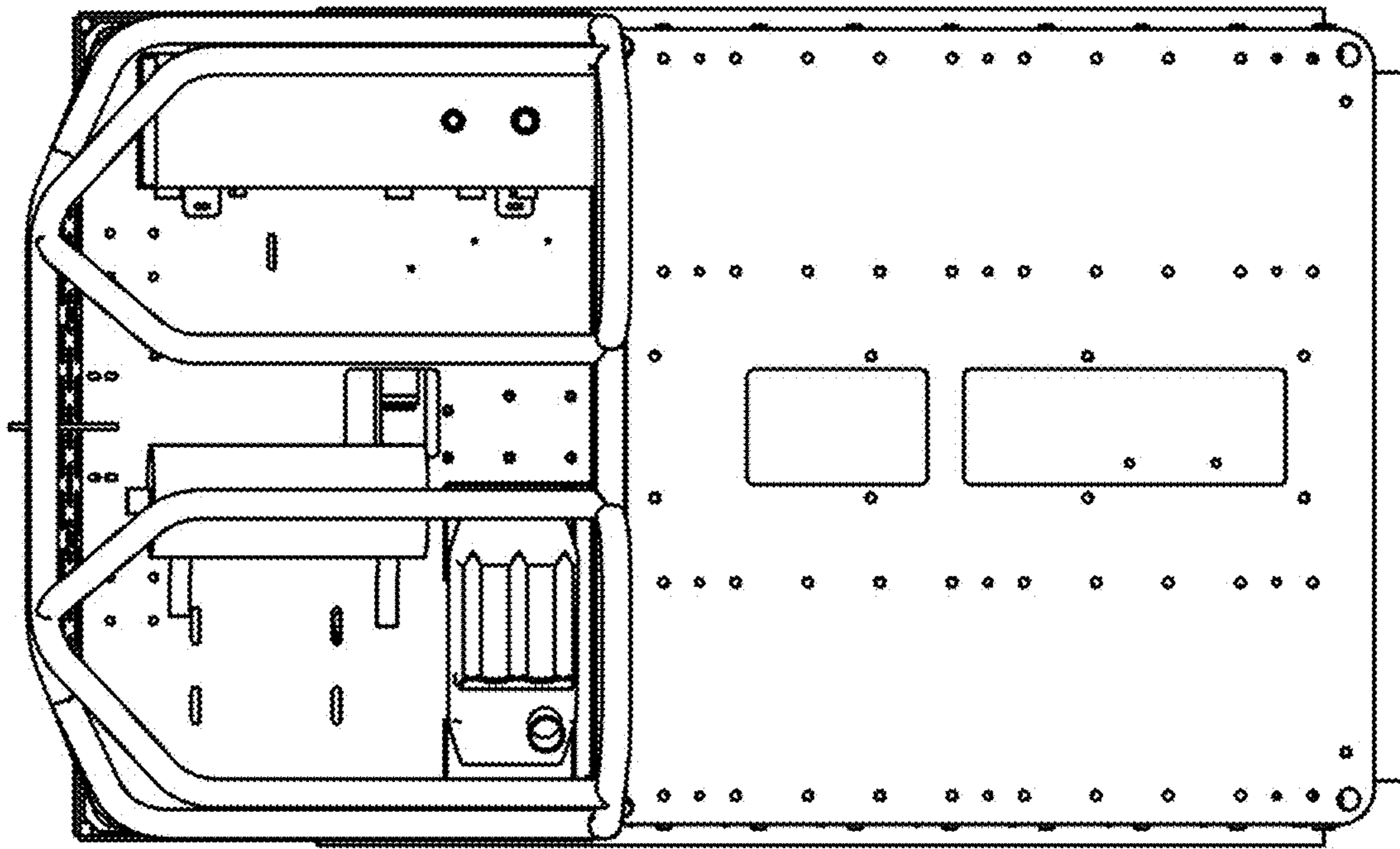


FIG. 5

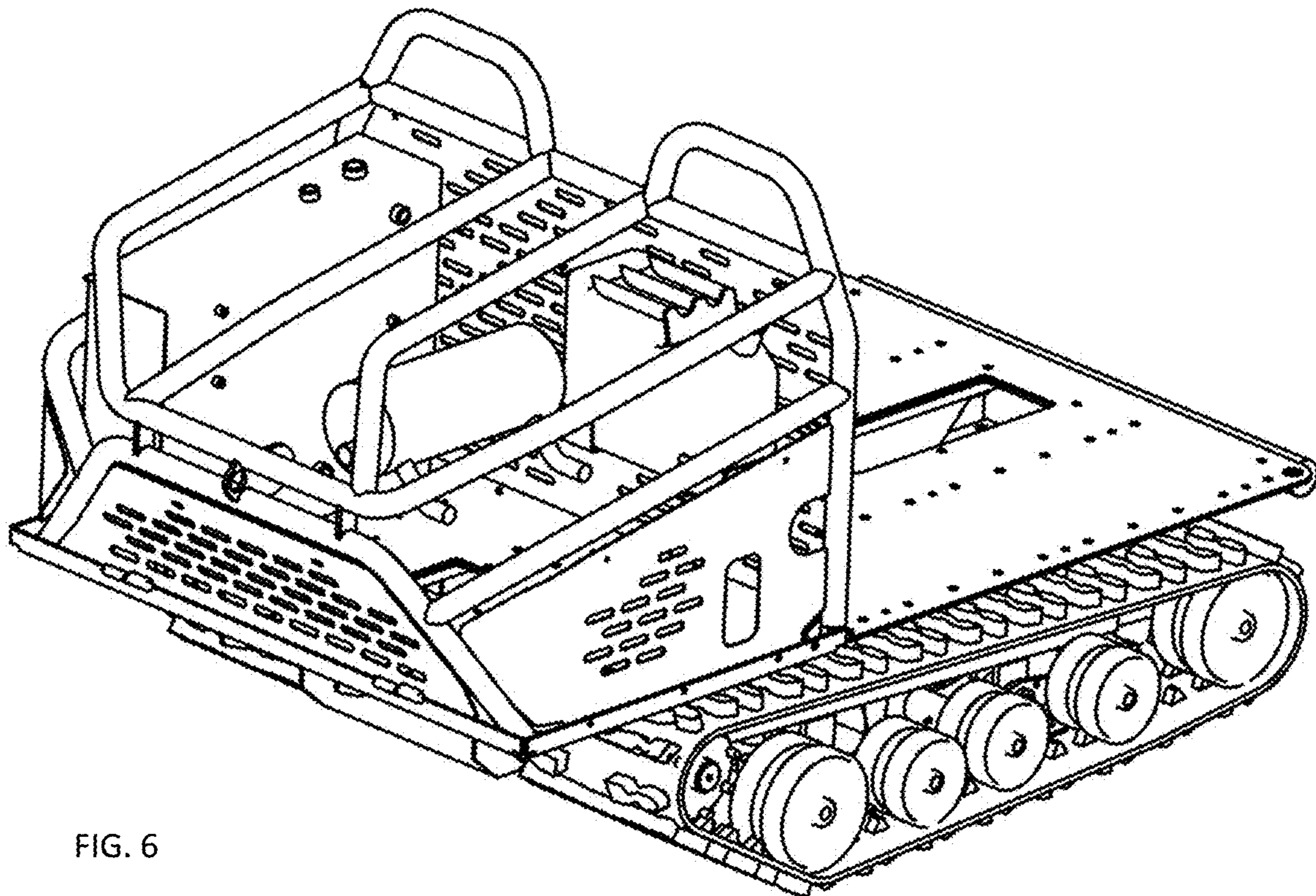
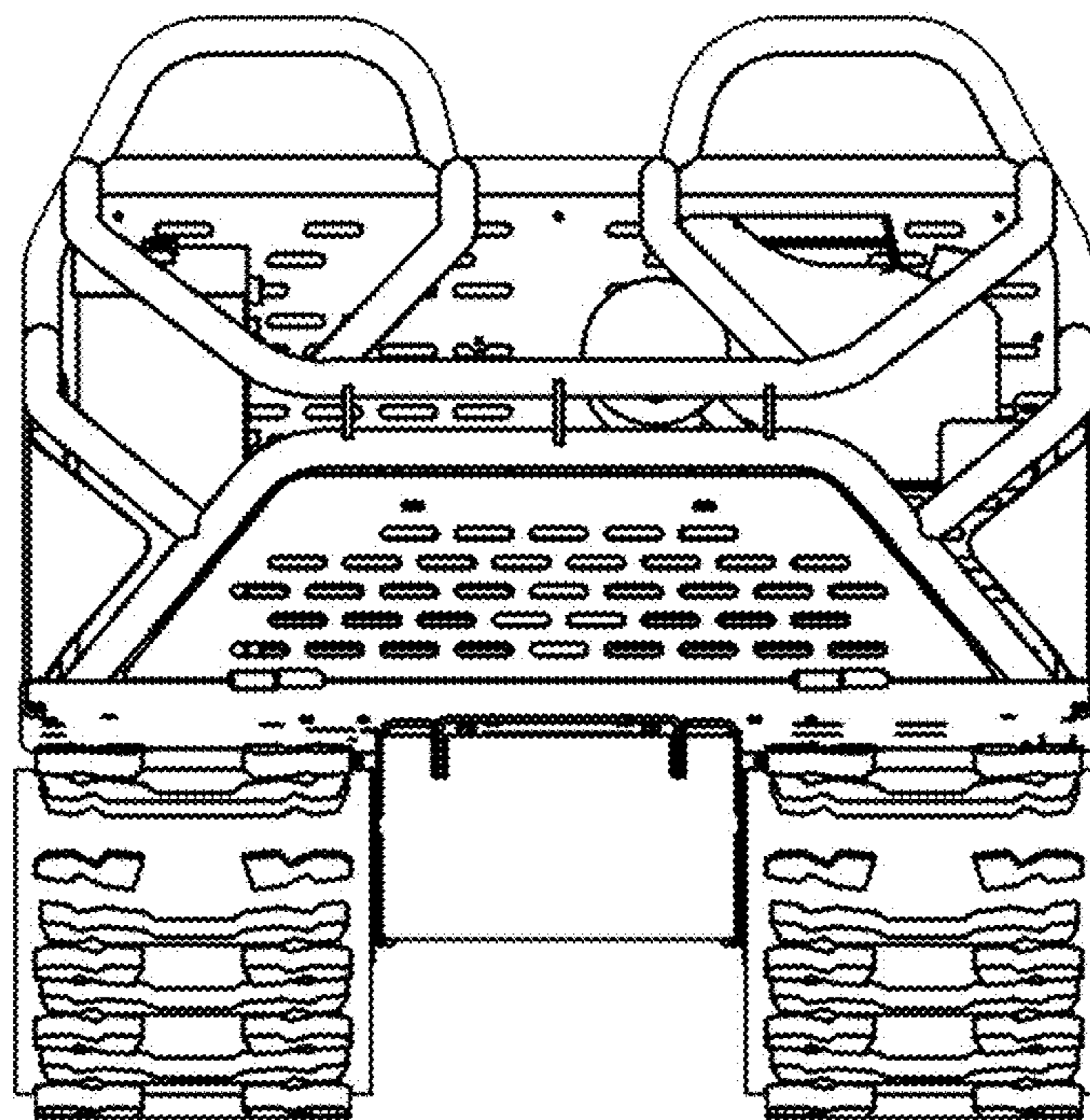
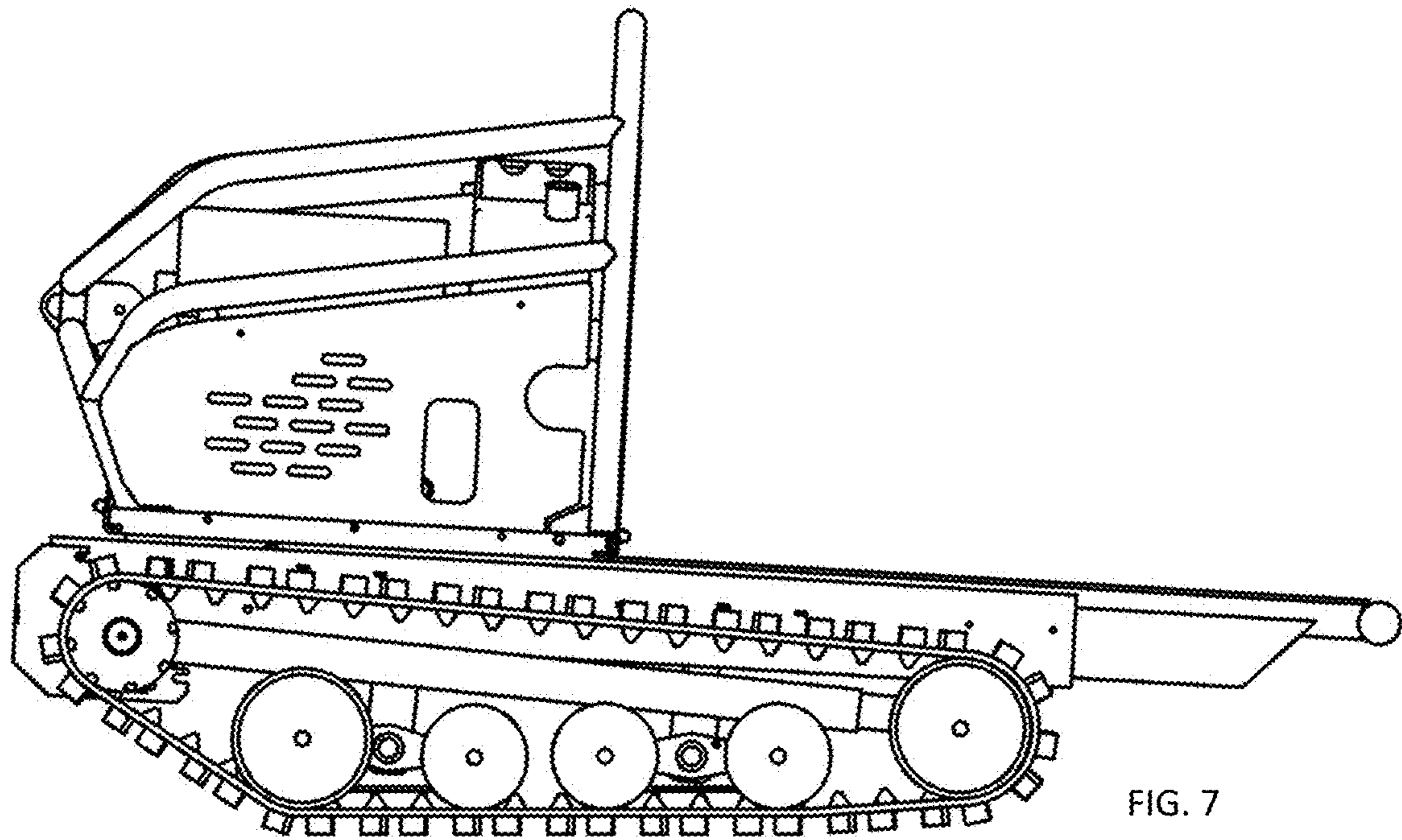


FIG. 6



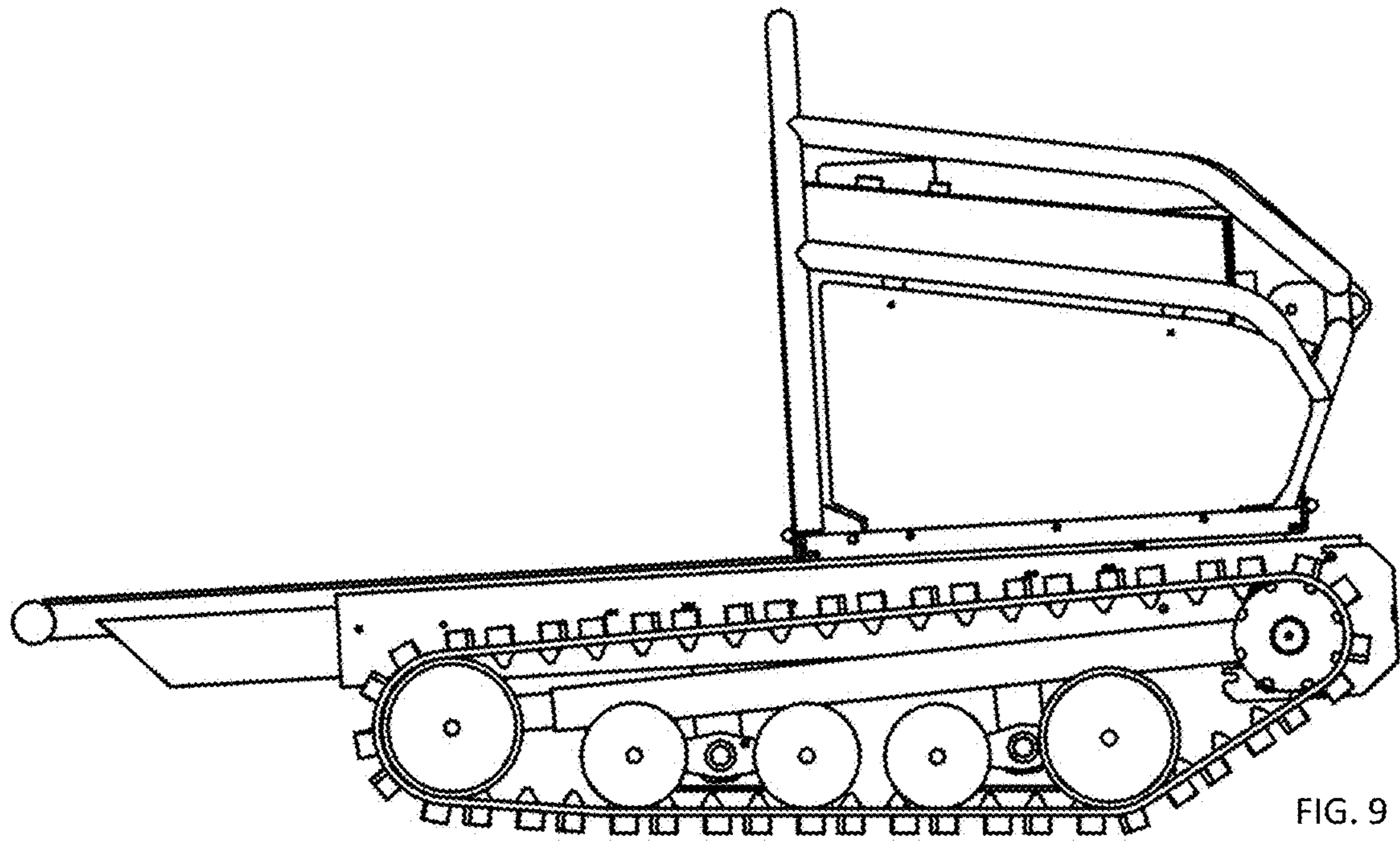


FIG. 9

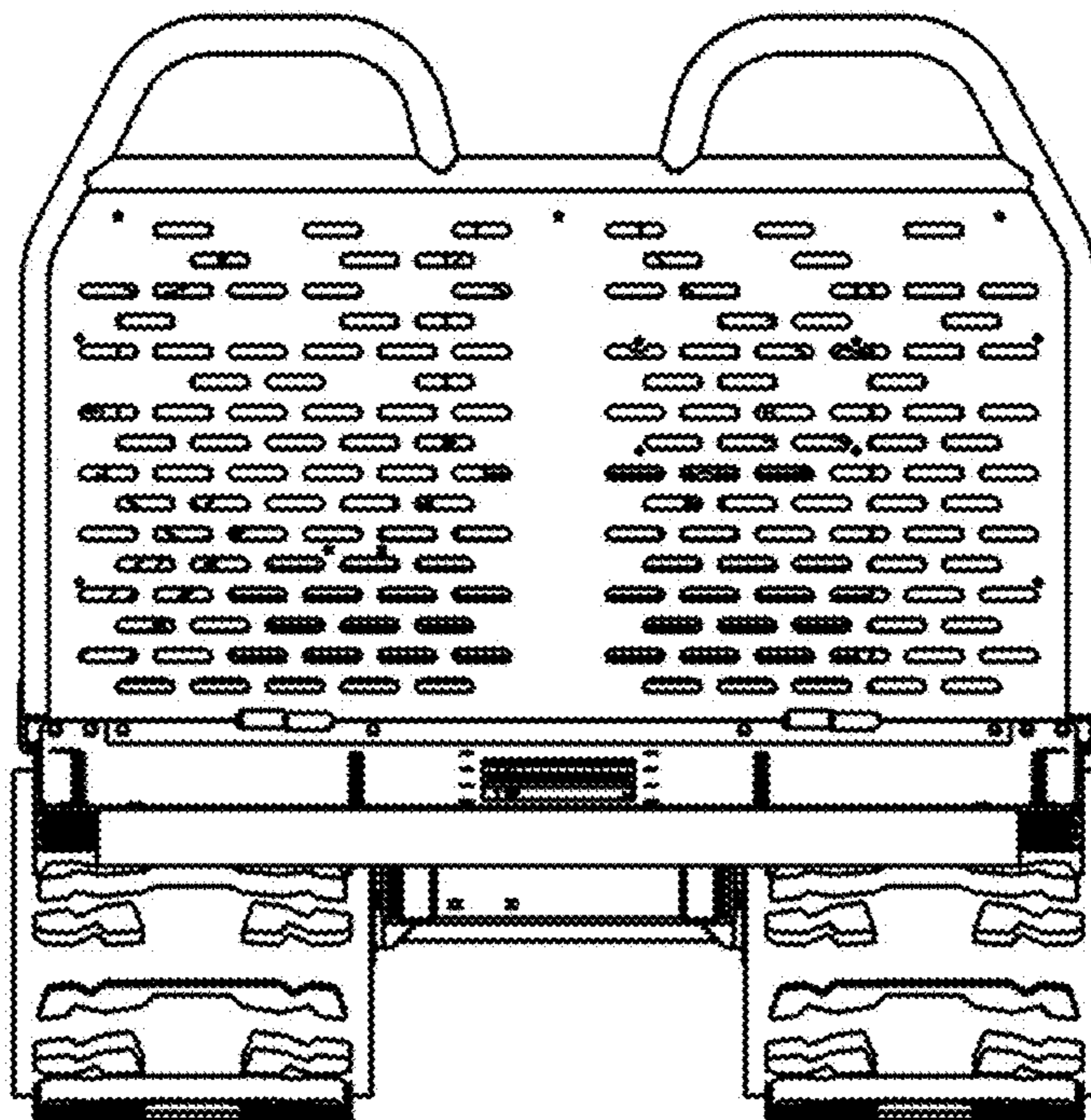


FIG. 10

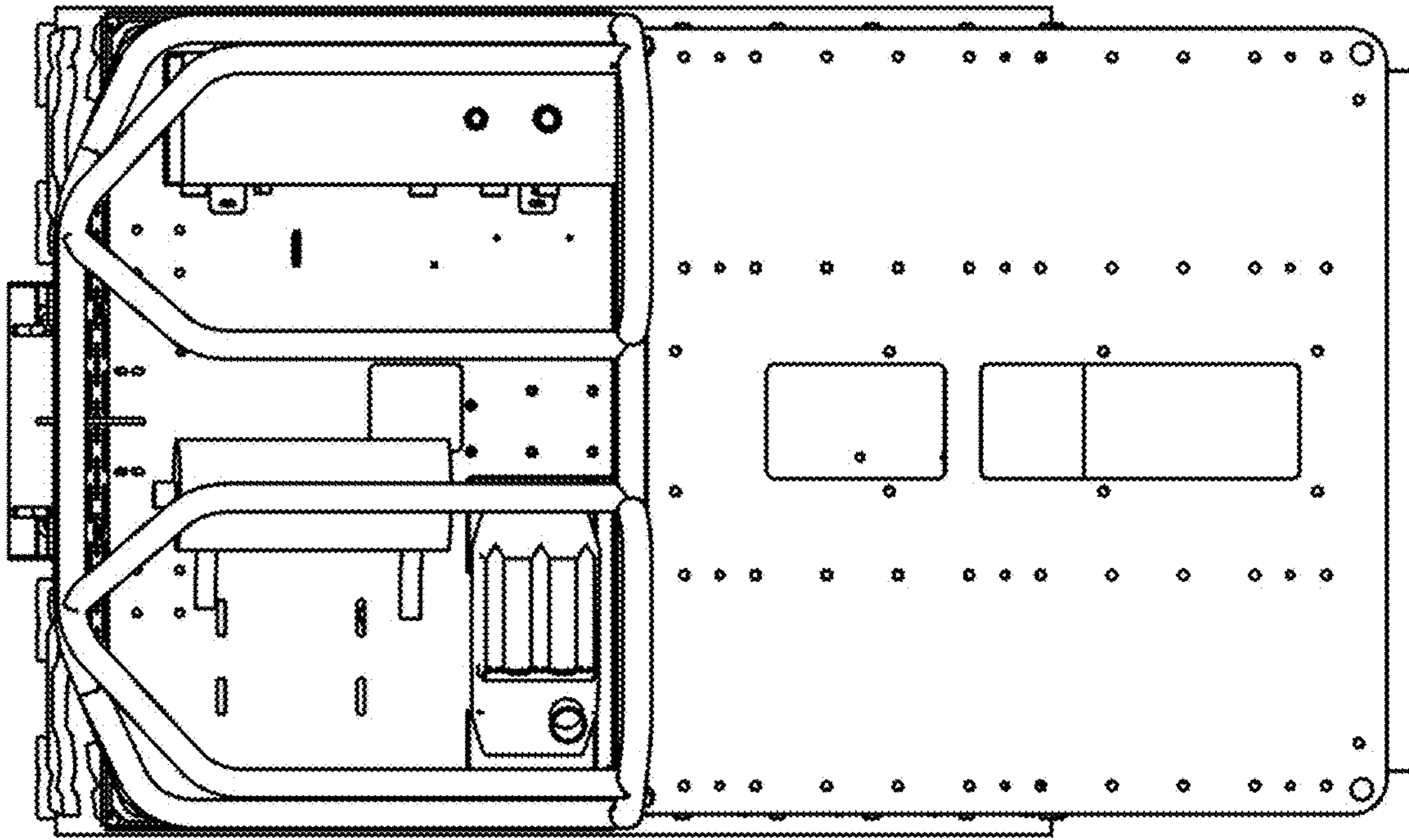


FIG. 11

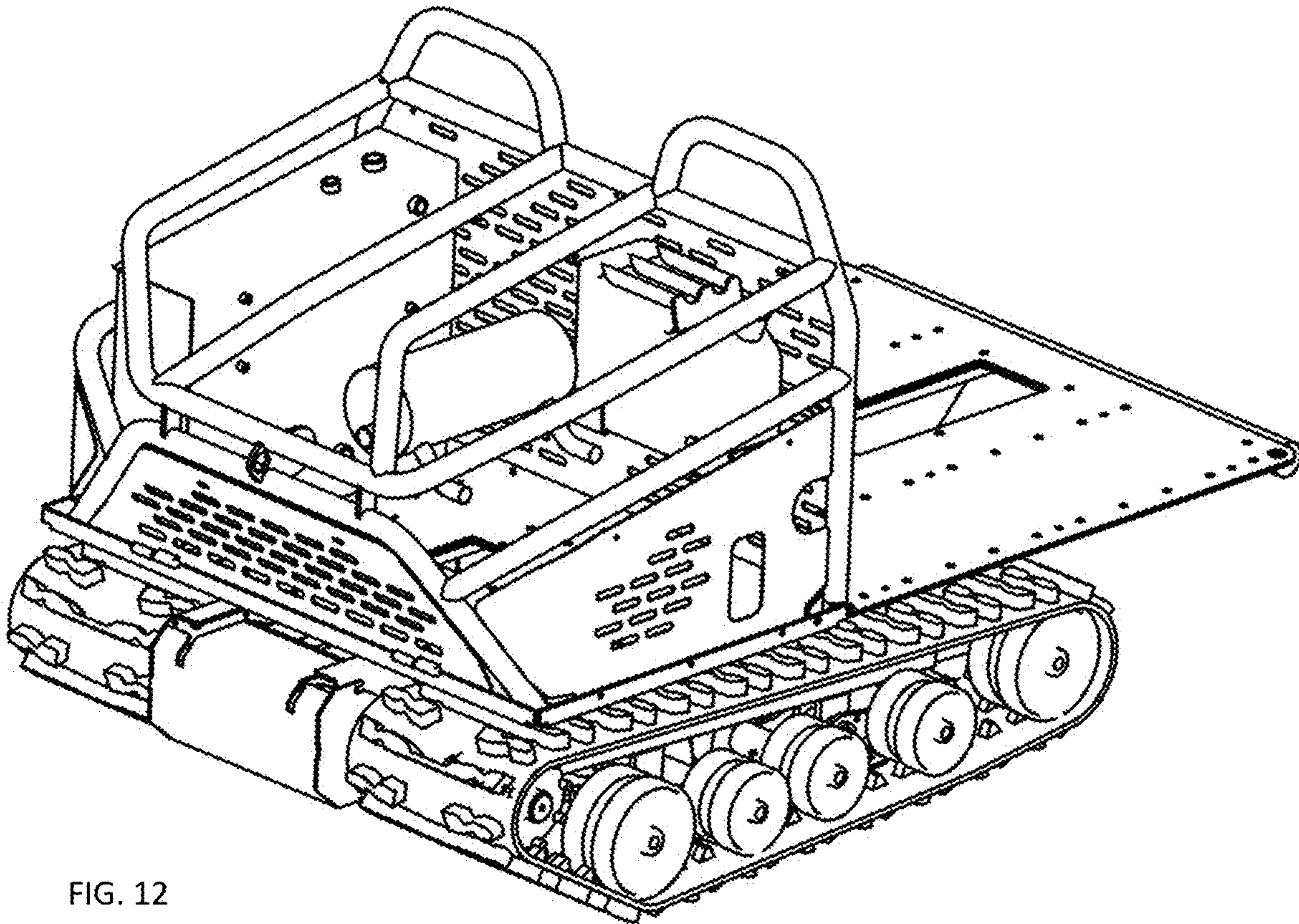


FIG. 12