

US00D960935S

(12) **United States Design Patent** (10) **Patent No.:** **US D960,935 S**
Wilkins (45) **Date of Patent:** **** Aug. 16, 2022**

- (54) **IMPELLER**
- (71) Applicant: **Electromechanical Research Laboratories, Inc.**, New Albany, IN (US)
- (72) Inventor: **Stephen Wilkins**, Floyds Knobs, IN (US)
- (73) Assignee: **Electromechanical Research Laboratories, Inc.**, New Albany, IN (US)
- (**) Term: **15 Years**
- (21) Appl. No.: **29/737,276**
- (22) Filed: **Jun. 8, 2020**
- (51) **LOC (13) Cl.** **15-02**
- (52) **U.S. Cl.**
USPC **D15/7**
- (58) **Field of Classification Search**
USPC D15/5, 7, 4; D23/413, 414; D13/122
CPC F04D 29/2288; F04D 7/04; F04D 29/2216;
F04D 29/188; F04D 1/00
See application file for complete search history.

(56) **References Cited**

U.S. PATENT DOCUMENTS

D762,840 S *	8/2016	Wilkins	D23/413
D762,841 S *	8/2016	Wilkins	D23/413
D847,861 S *	5/2019	Wilkins	D15/7
D847,862 S *	5/2019	Wilkins	D15/7
2015/0118080 A1 *	4/2015	Dextraze	F01D 5/143 417/406

2015/0354359 A1 *	12/2015	Matsuda	F02B 39/00 416/204 A
2017/0298951 A1 *	10/2017	Itoh	F04D 29/284
2018/0010464 A1 *	1/2018	Yokoyama	F01D 5/04
2018/0112673 A1 *	4/2018	Manninen	F04D 29/22
2018/0180058 A1 *	6/2018	Hayamitsu	F04D 29/30
2018/0249873 A1 *	9/2018	Yoshida	F04D 29/327

* cited by examiner

Primary Examiner — Ania Aman

(74) *Attorney, Agent, or Firm* — Womble Bond Dickinson (US) LLP

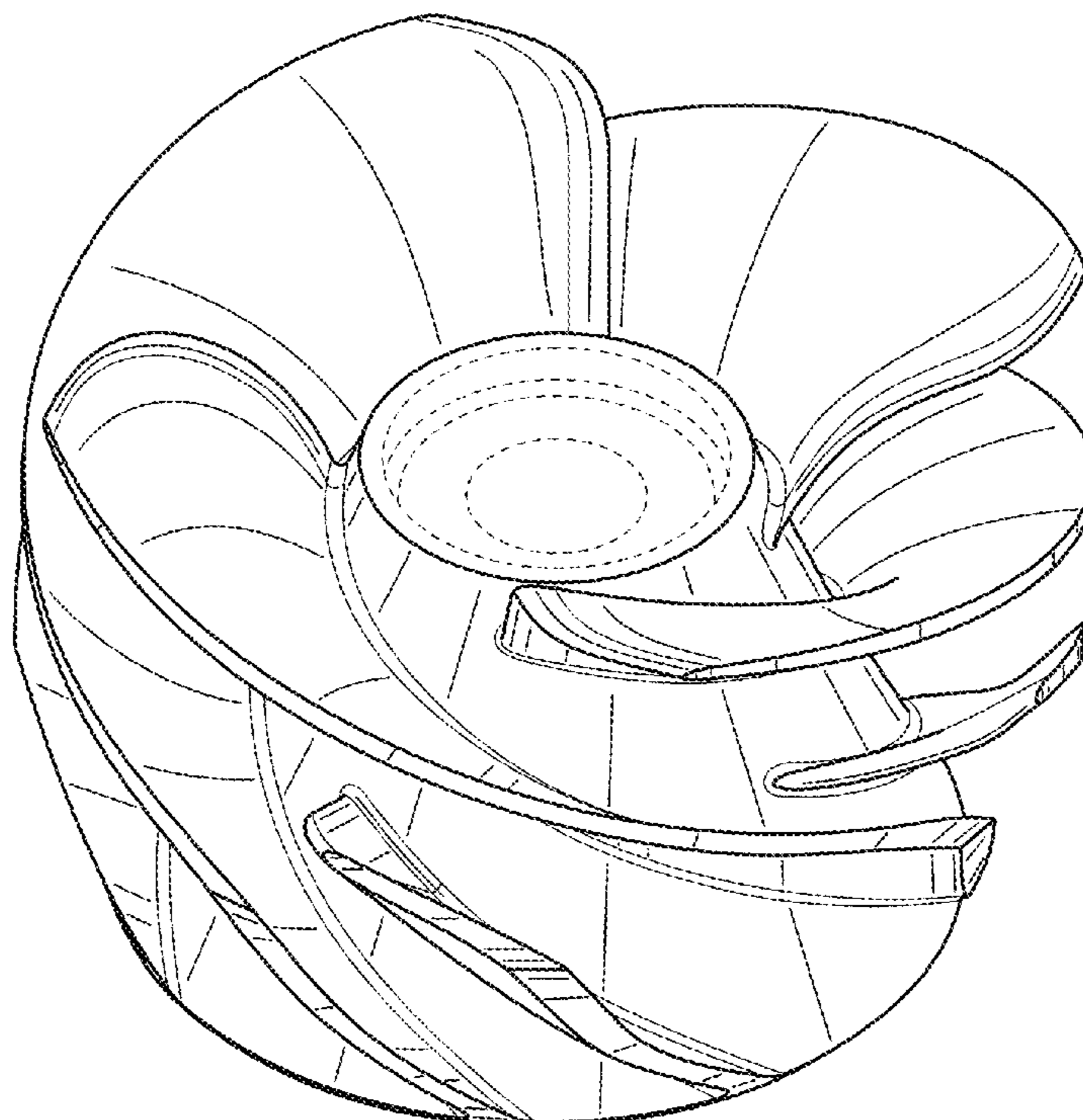
(57) **CLAIM**

The ornamental design for an impeller, as shown and described.

DESCRIPTION

FIG. 1 is a perspective view of an impeller according to my design;
 FIG. 2 is an additional perspective view of the impeller;
 FIG. 3 is a front view thereof;
 FIG. 4 is a rear view thereof;
 FIG. 5 is a side view thereof;
 FIG. 6 is an additional side view thereof;
 FIG. 7 is top view thereof;
 FIG. 8 is a bottom view thereof;
 FIG. 9 is a cross-sectional view of the impeller taken along the line 9-9 shown in FIG. 7; and,
 FIG. 10 is a cross-sectional view of the impeller taken along the line 10-10 shown in FIG. 7.
 The broken lines shown in the drawings are for the purpose of illustrating portions of the impeller that form no part of the claimed design.

1 Claim, 7 Drawing Sheets



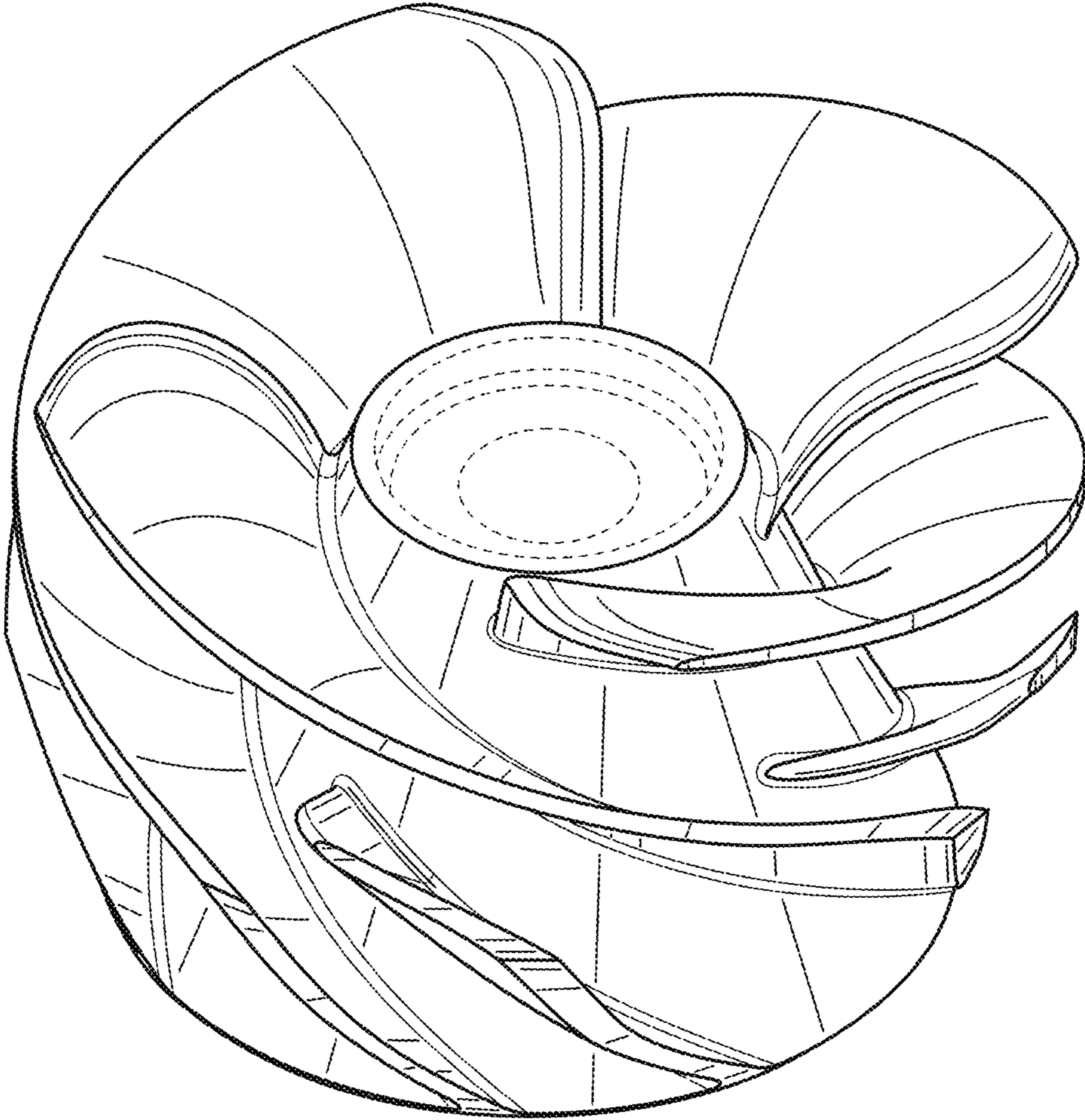


FIG. 1

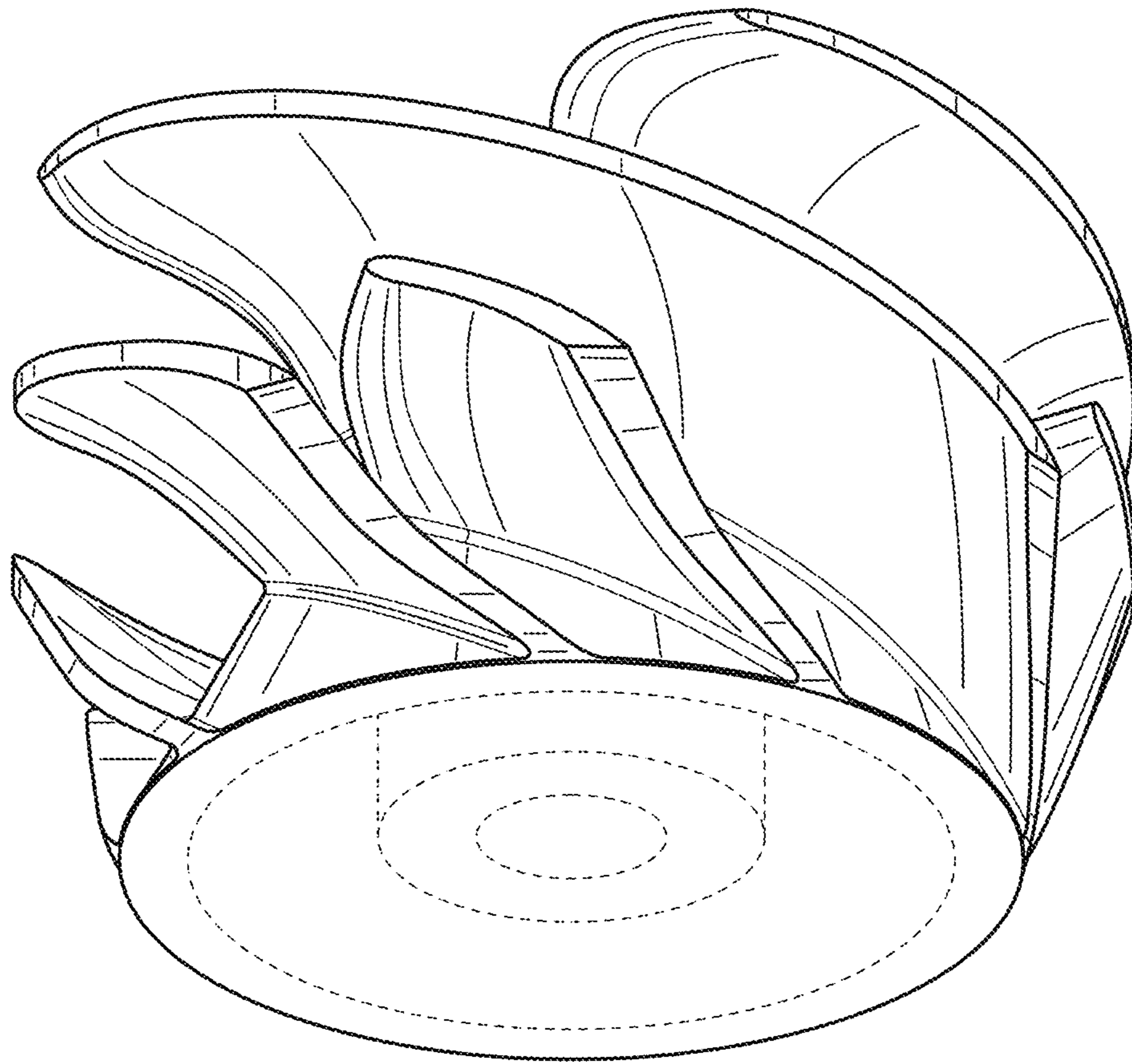


FIG. 2

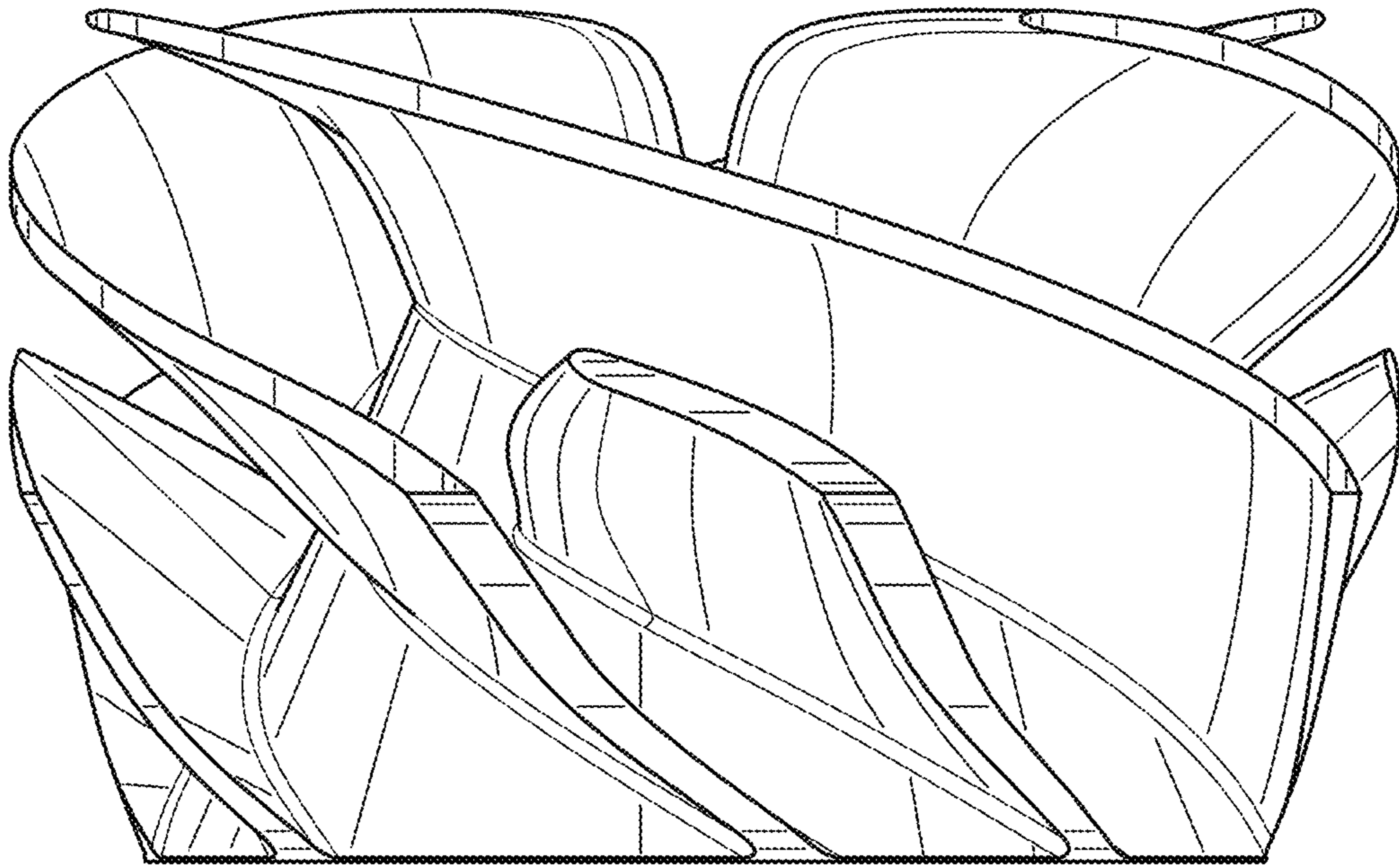


FIG. 3

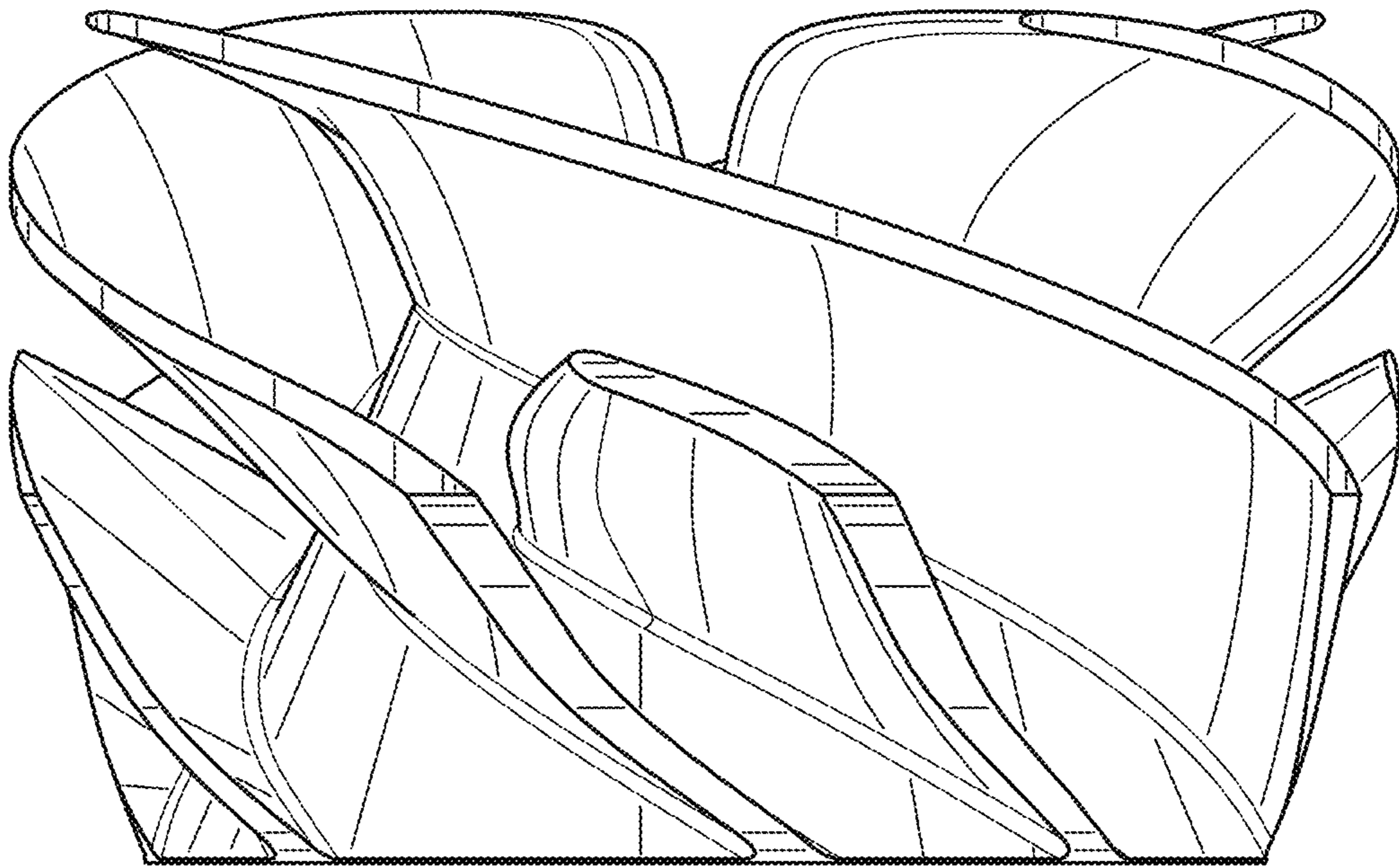


FIG. 4

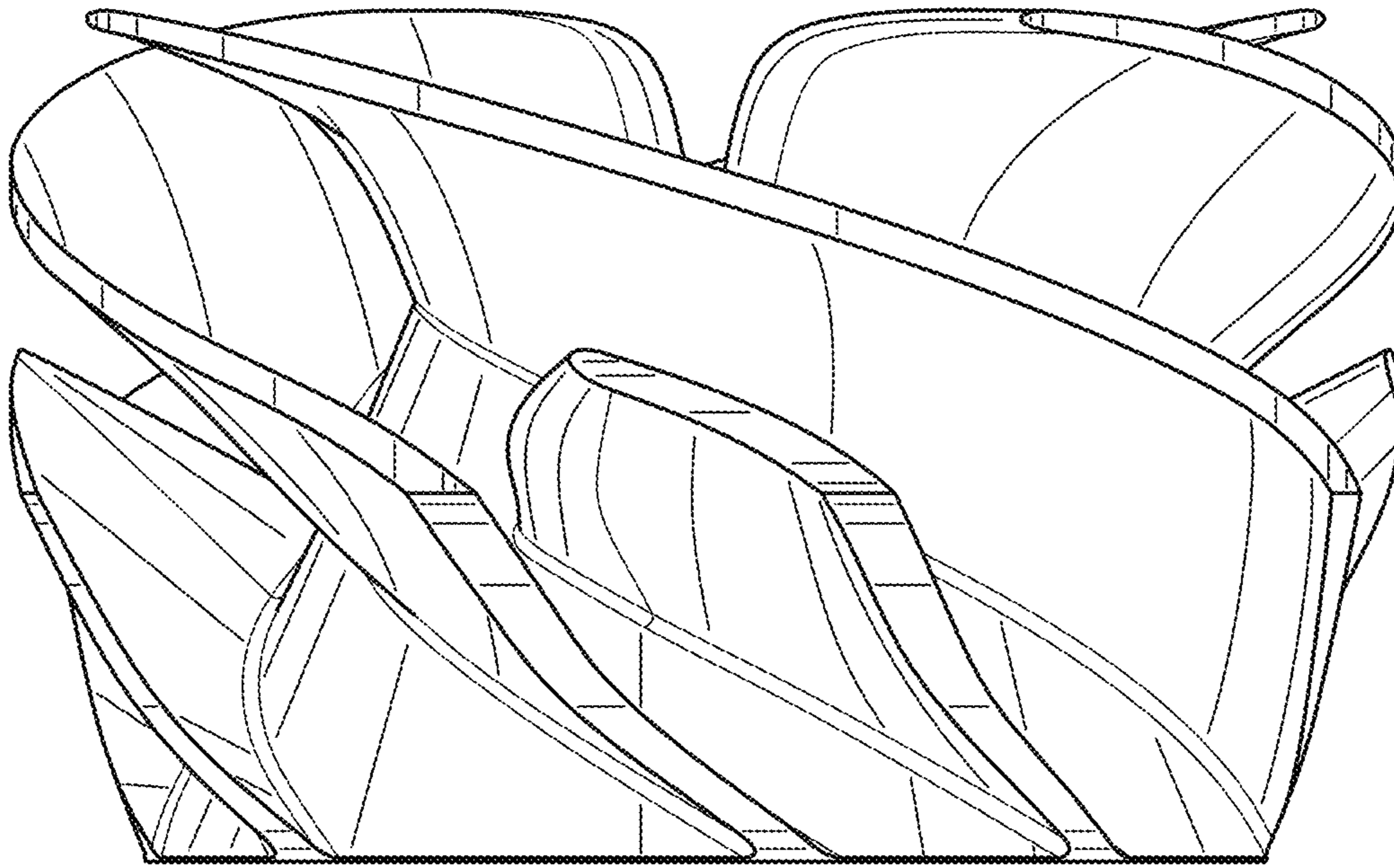


FIG. 5

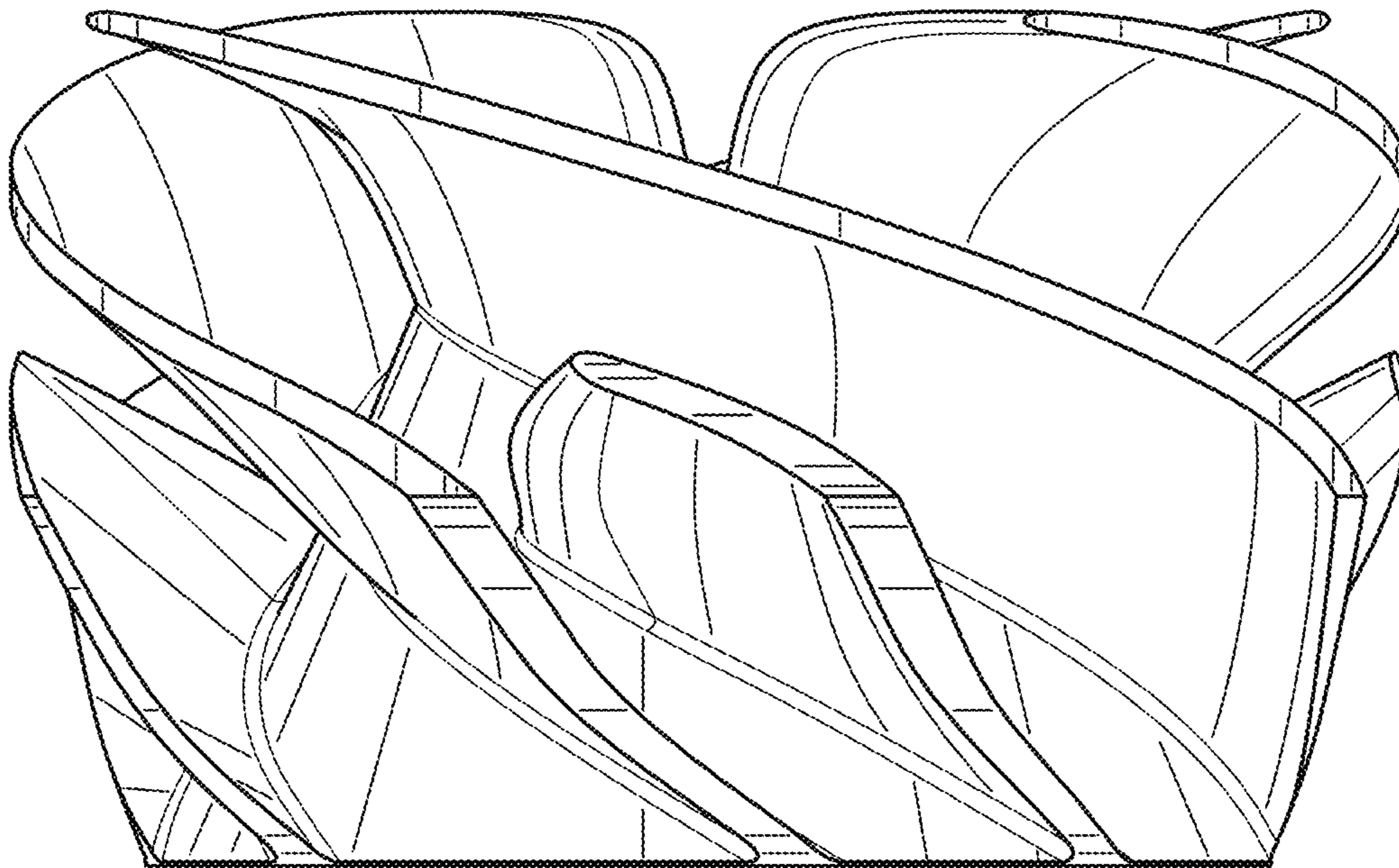


FIG. 6

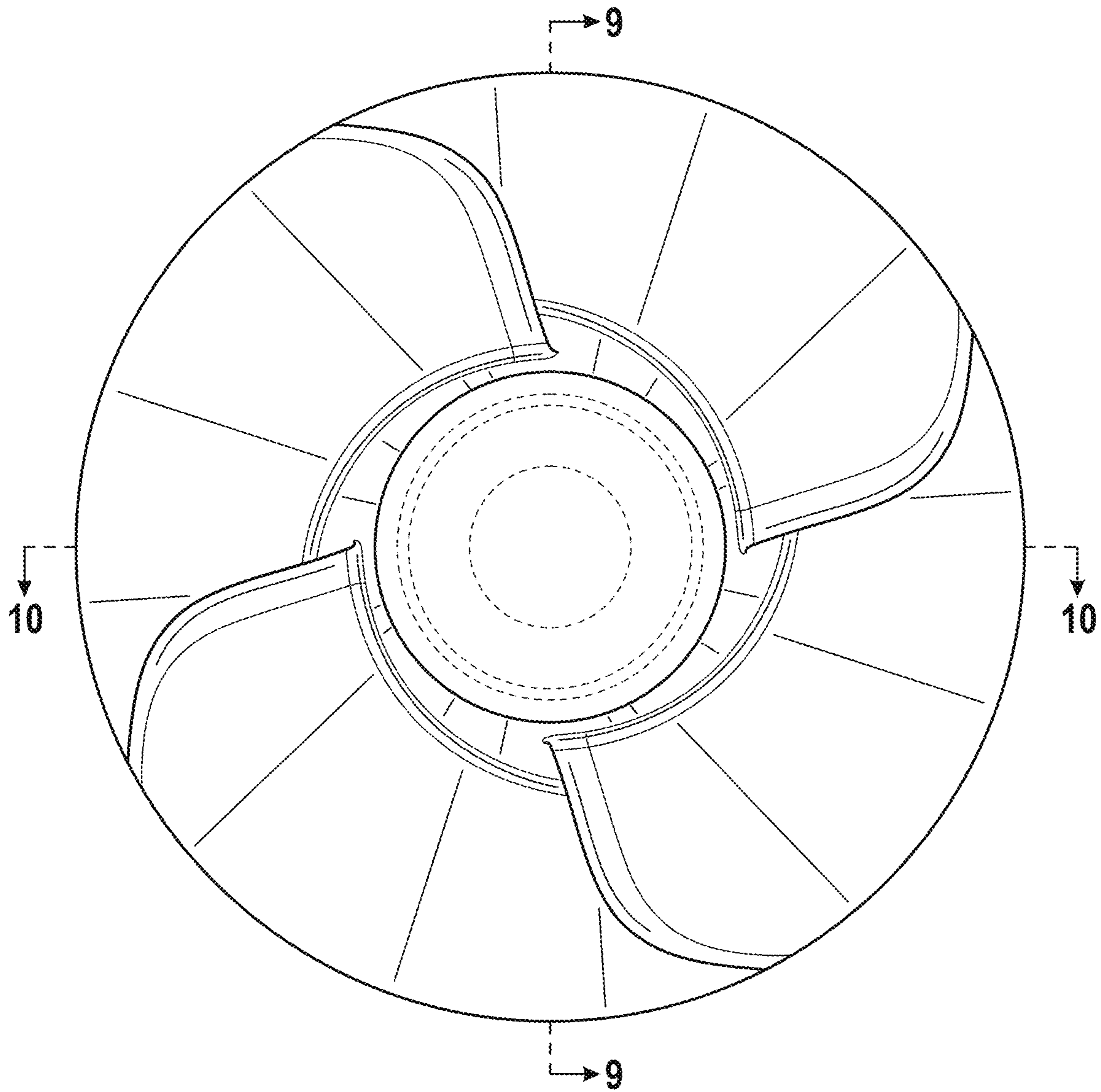


FIG. 7

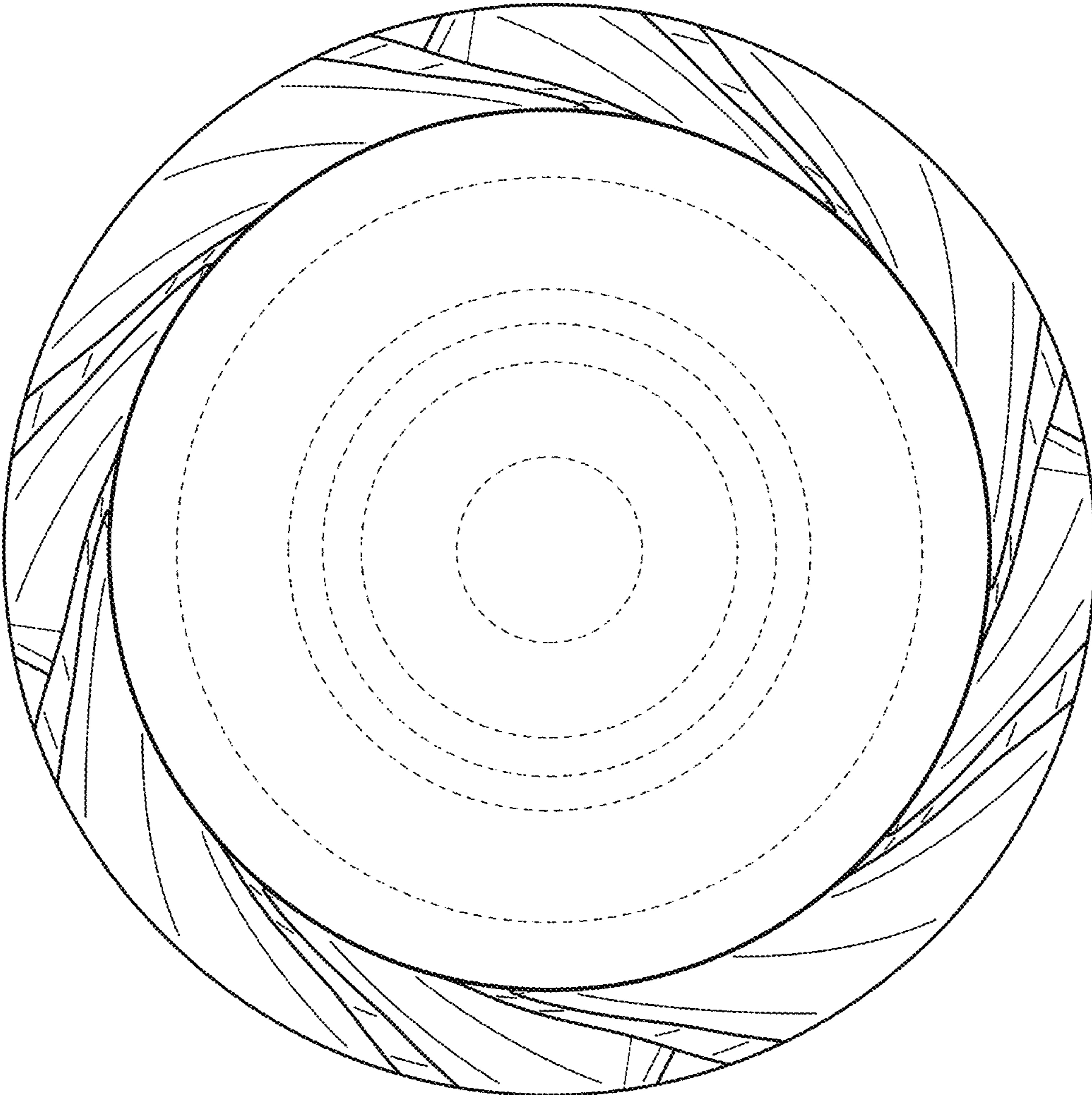


FIG. 8

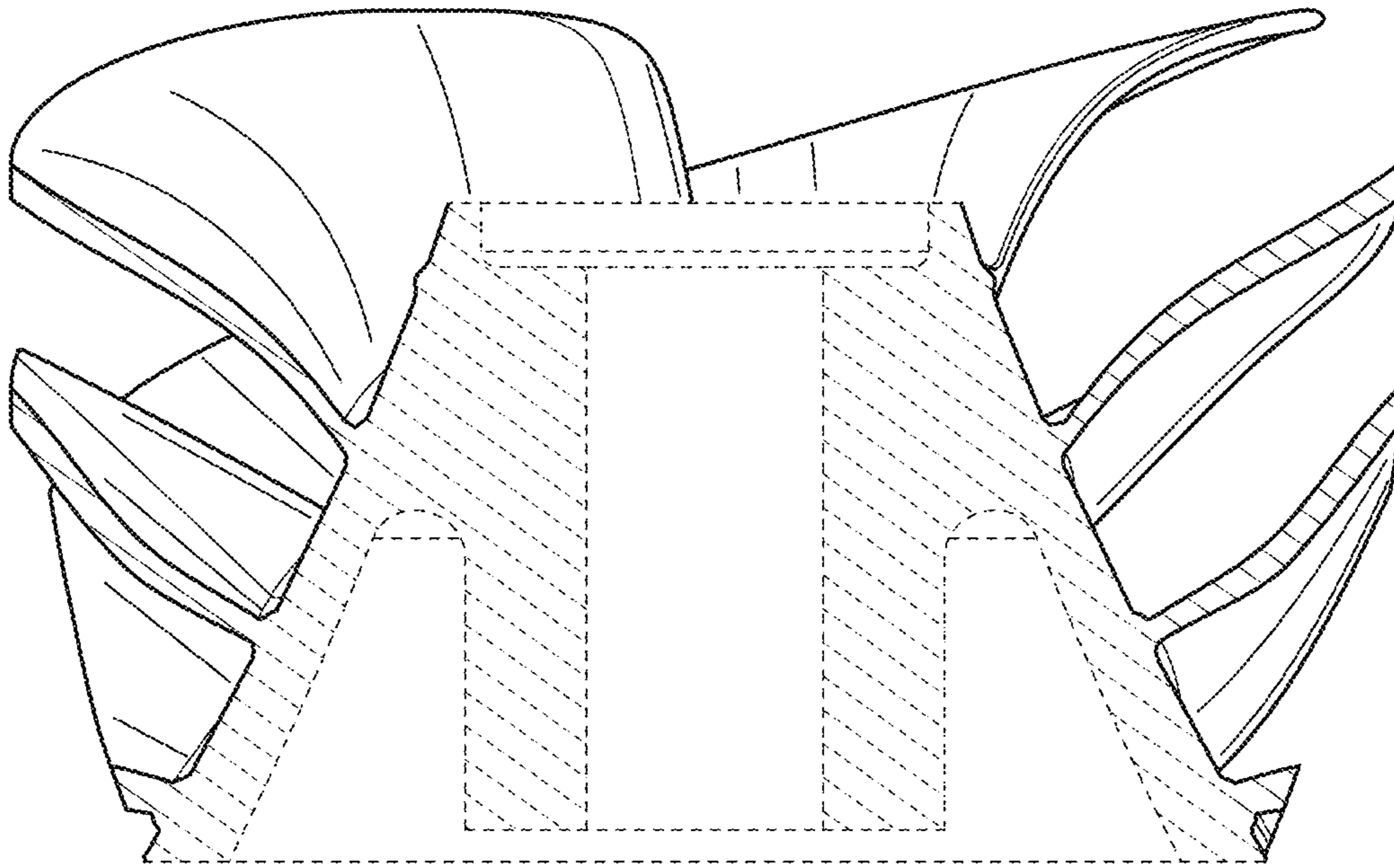


FIG. 9

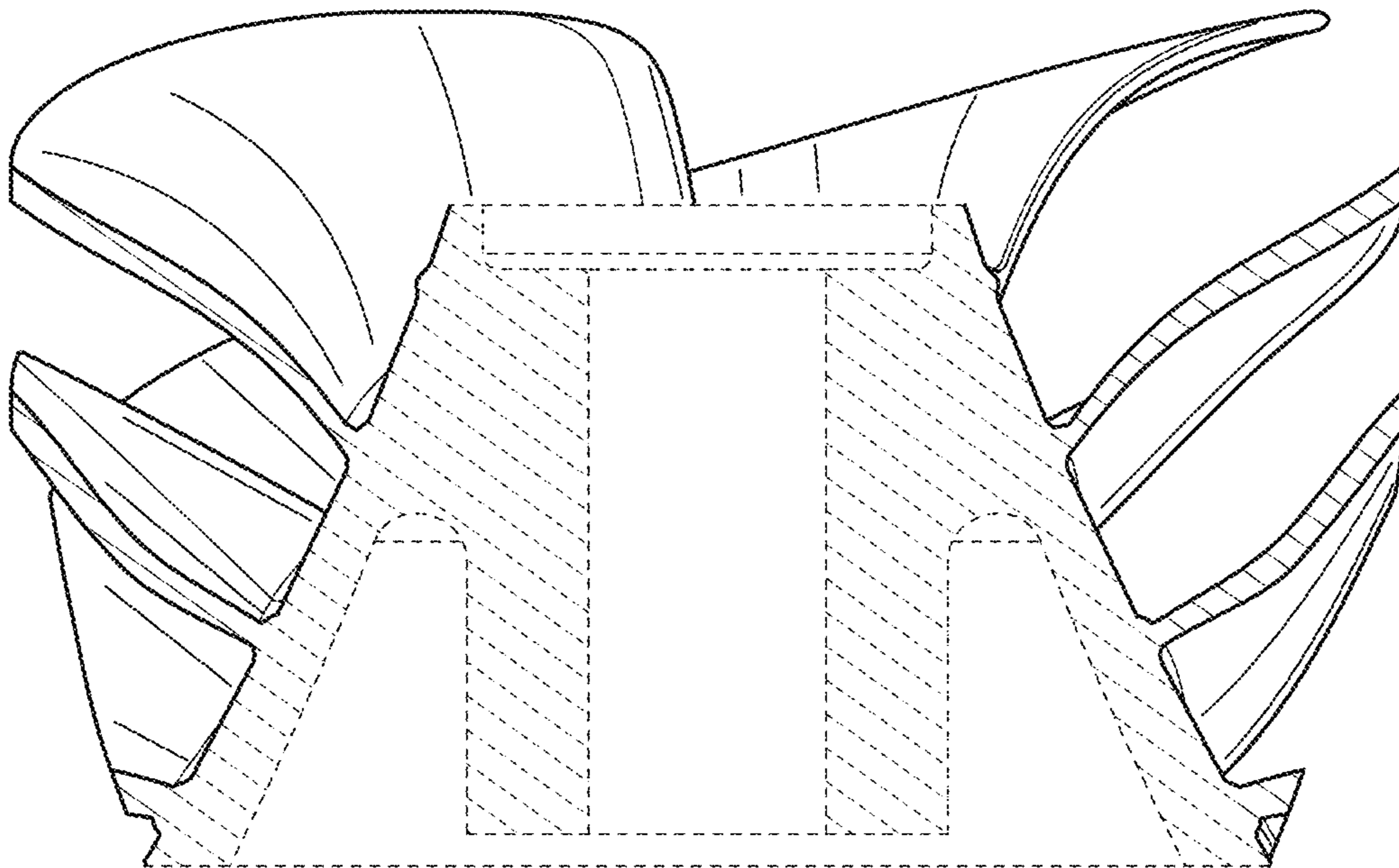


FIG. 10