

US00D960934S

(12) **United States Design Patent**
Qi et al.

(10) **Patent No.:** **US D960,934 S**

(45) **Date of Patent:** **** Aug. 16, 2022**

(54) **DIESEL ENGINE**

(71) Applicant: **WEICHAI POWER CO., LTD.**,
Shandong (CN)

(72) Inventors: **Baodan Qi**, Shandong (CN); **Yuelan Zhong**, Shandong (CN); **Xinyan Xia**, Shandong (CN); **Hongshuang He**, Shandong (CN); **Wei Zhang**, Shandong (CN); **Junlong Zhang**, Shandong (CN); **Yuanhui Lu**, Shandong (CN); **Xianning Sun**, Shandong (CN); **Liping Song**, Shandong (CN)

(73) Assignee: **WEICHAI POWER CO., LTD.**,
Shandong (CN)

(**) Term: **15 Years**

(21) Appl. No.: **29/688,105**

(22) Filed: **Apr. 18, 2019**

(30) **Foreign Application Priority Data**

Dec. 27, 2018 (CN) 201830762837.9

(51) **LOC (13) Cl.** **15-01**

(52) **U.S. Cl.**
USPC **D15/3**

(58) **Field of Classification Search**
USPC D15/1-6
CPC F02B 75/007; F02B 2710/03; F02B
2075/1816; F01M 13/04

See application file for complete search history.

(56) **References Cited**

U.S. PATENT DOCUMENTS

D733,763	S	*	7/2015	Nuta	D15/4
D735,757	S	*	8/2015	Nuta	D15/4
D759,726	S	*	6/2016	Takao	D15/4
D777,791	S	*	1/2017	Okuyama	D15/4
D785,674	S	*	5/2017	Takahata	D15/1
D896,841	S	*	9/2020	Sekita	D15/3
2019/0128221	A1	*	5/2019	Tiramani	F01N 13/107

* cited by examiner

Primary Examiner — Ania Aman

(74) *Attorney, Agent, or Firm* — Cantor Colburn LLP

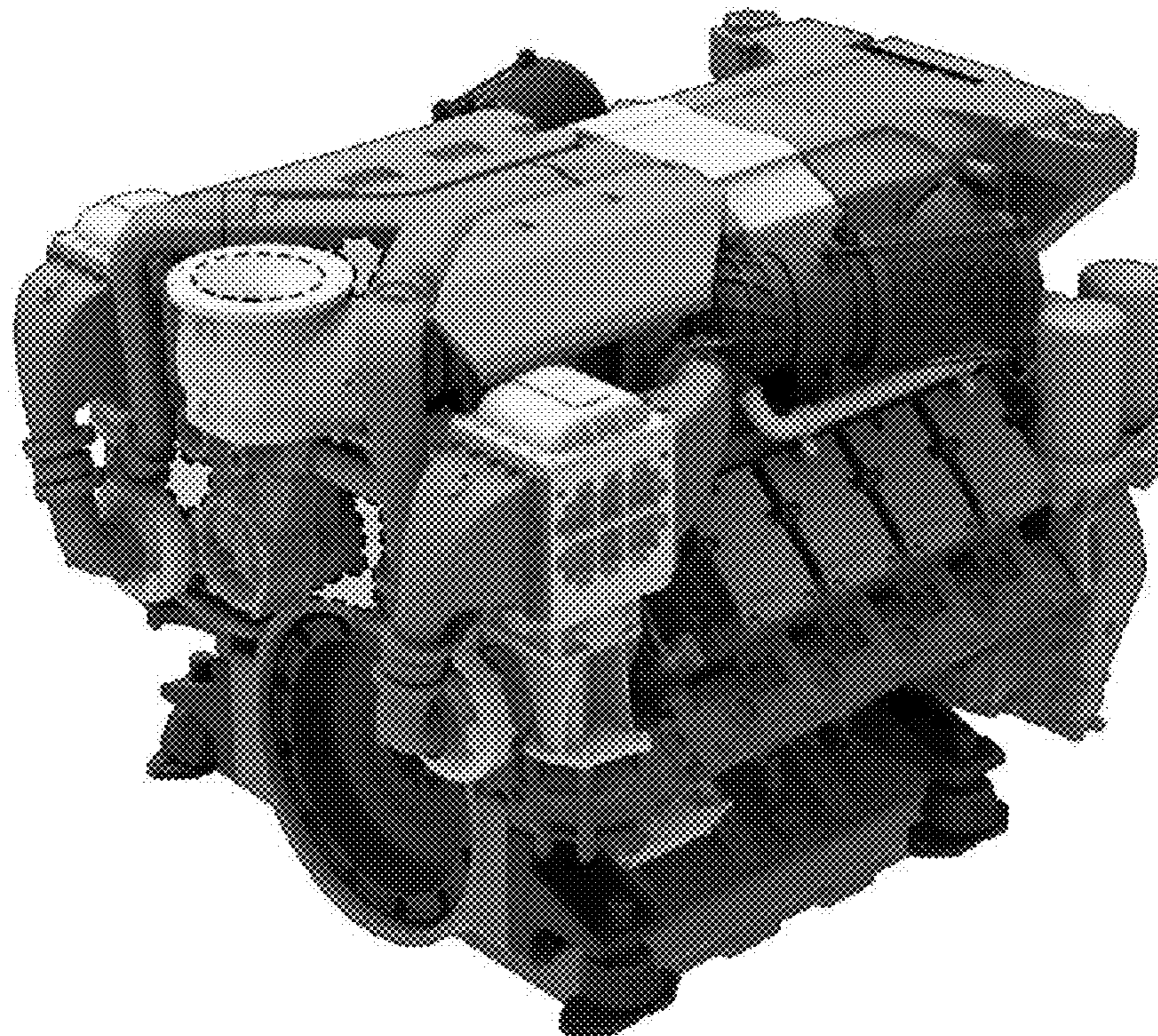
(57) **CLAIM**

The ornamental design for a diesel engine, as shown and described.

DESCRIPTION

FIG. 1 is a front view of a diesel engine according to the present application, showing our new design;
FIG. 2 is a rear view thereof;
FIG. 3 is a left view thereof;
FIG. 4 is a right view thereof;
FIG. 5 is a top view thereof;
FIG. 6 is a bottom view thereof;
FIG. 7 is a first perspective view thereof; and,
FIG. 8 is a second perspective view thereof.
The elements of the diesel engine encircled by broken lines form no part of the claimed design.

1 Claim, 8 Drawing Sheets



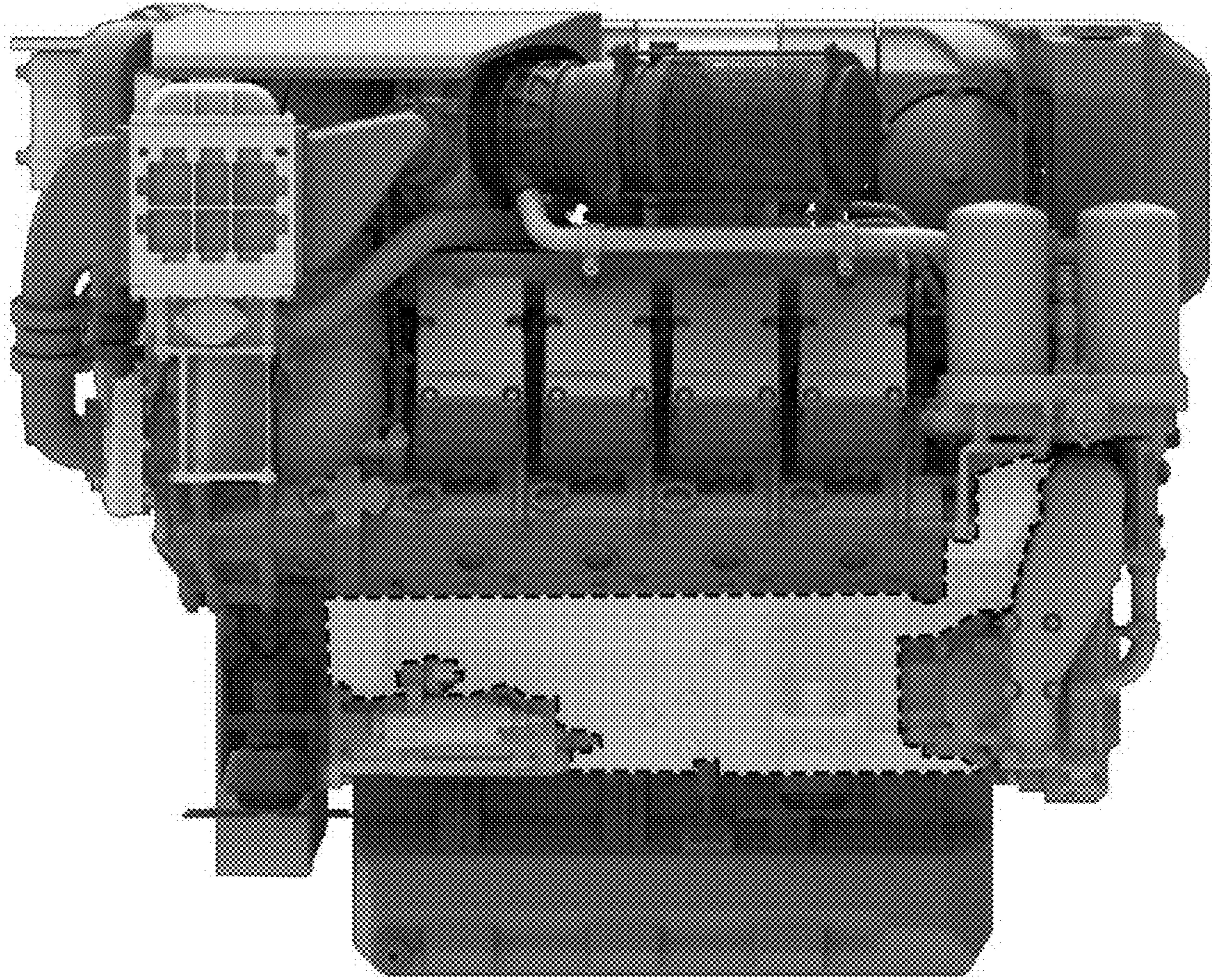


FIG. 1

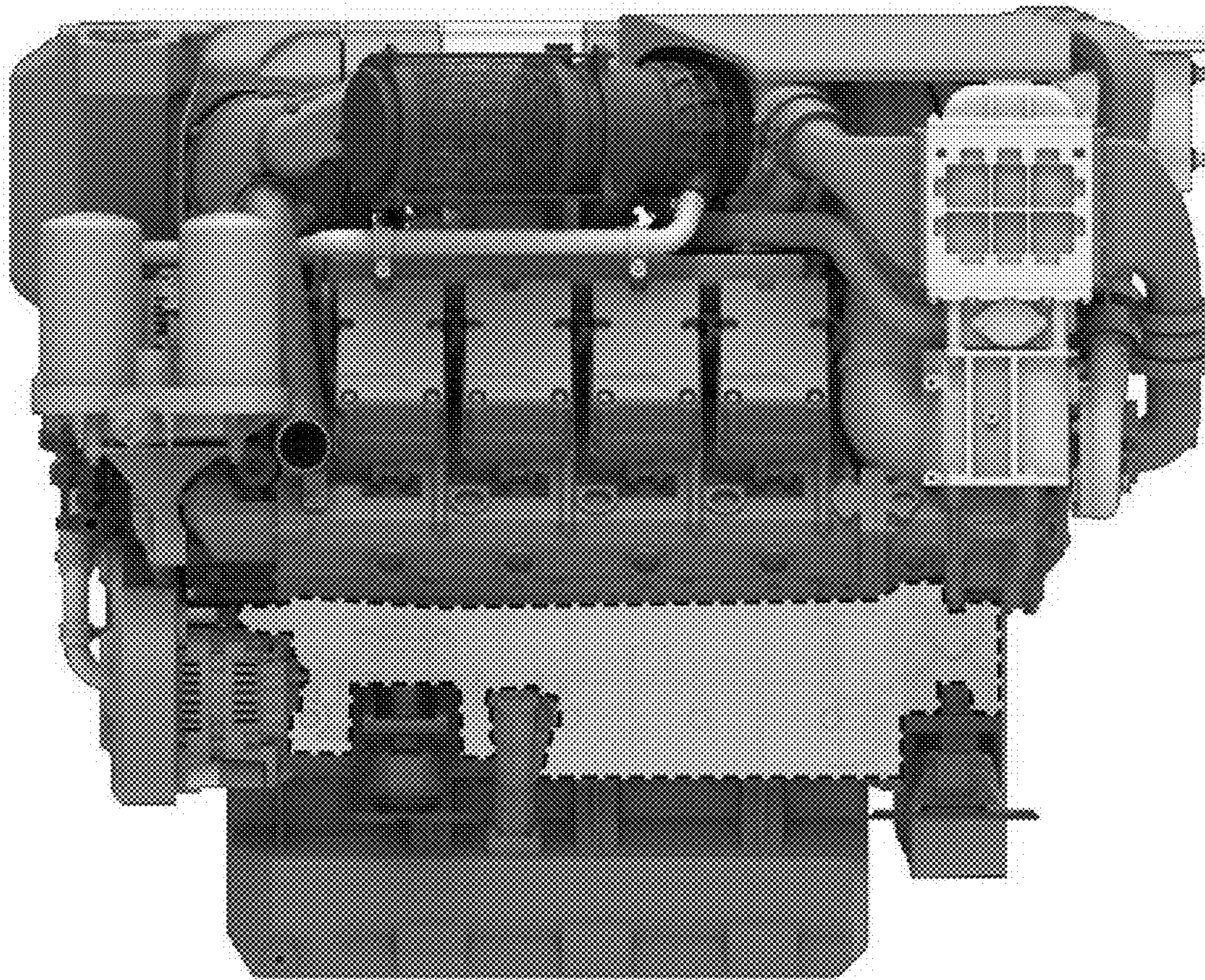


FIG. 2

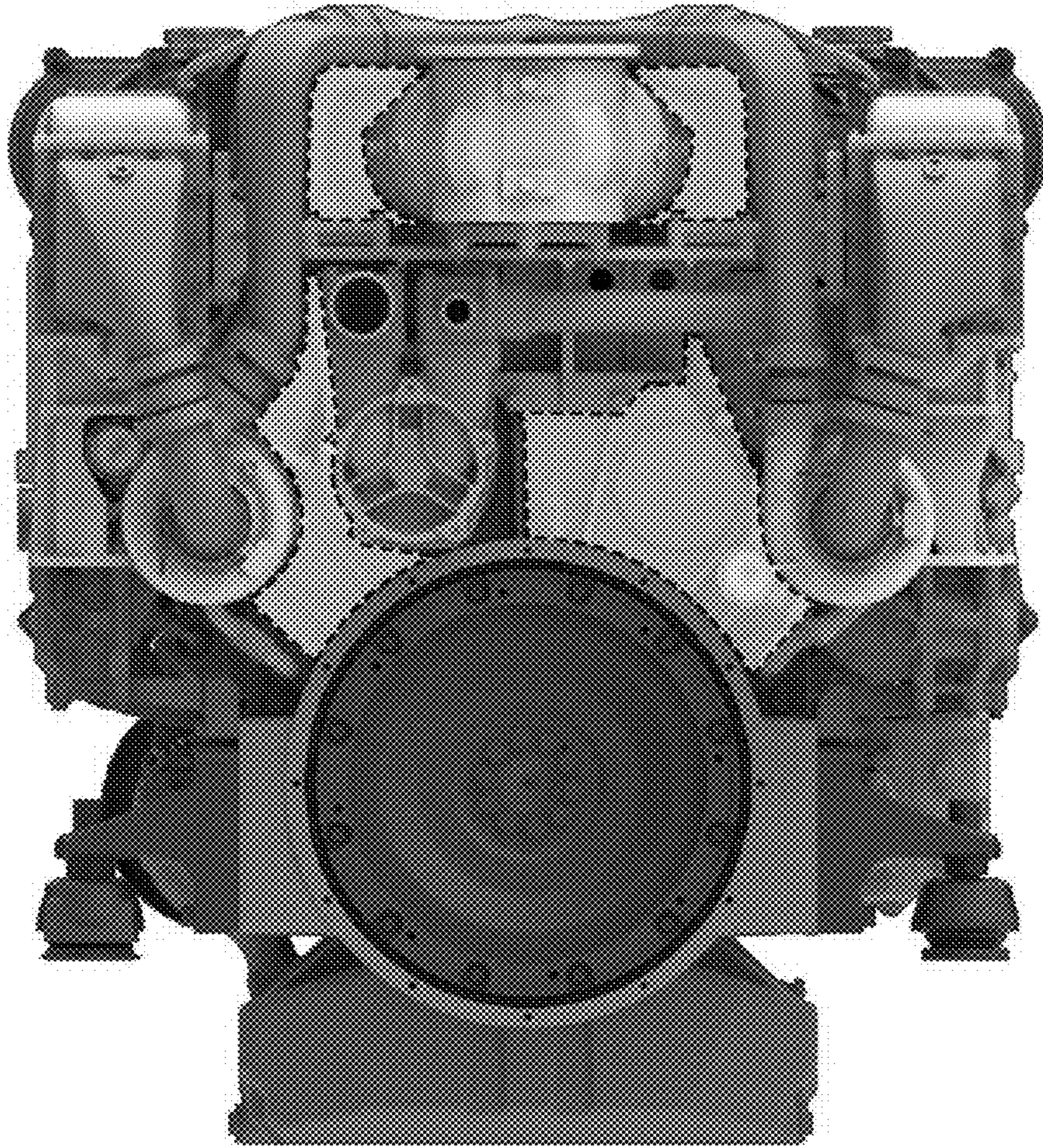


FIG. 3

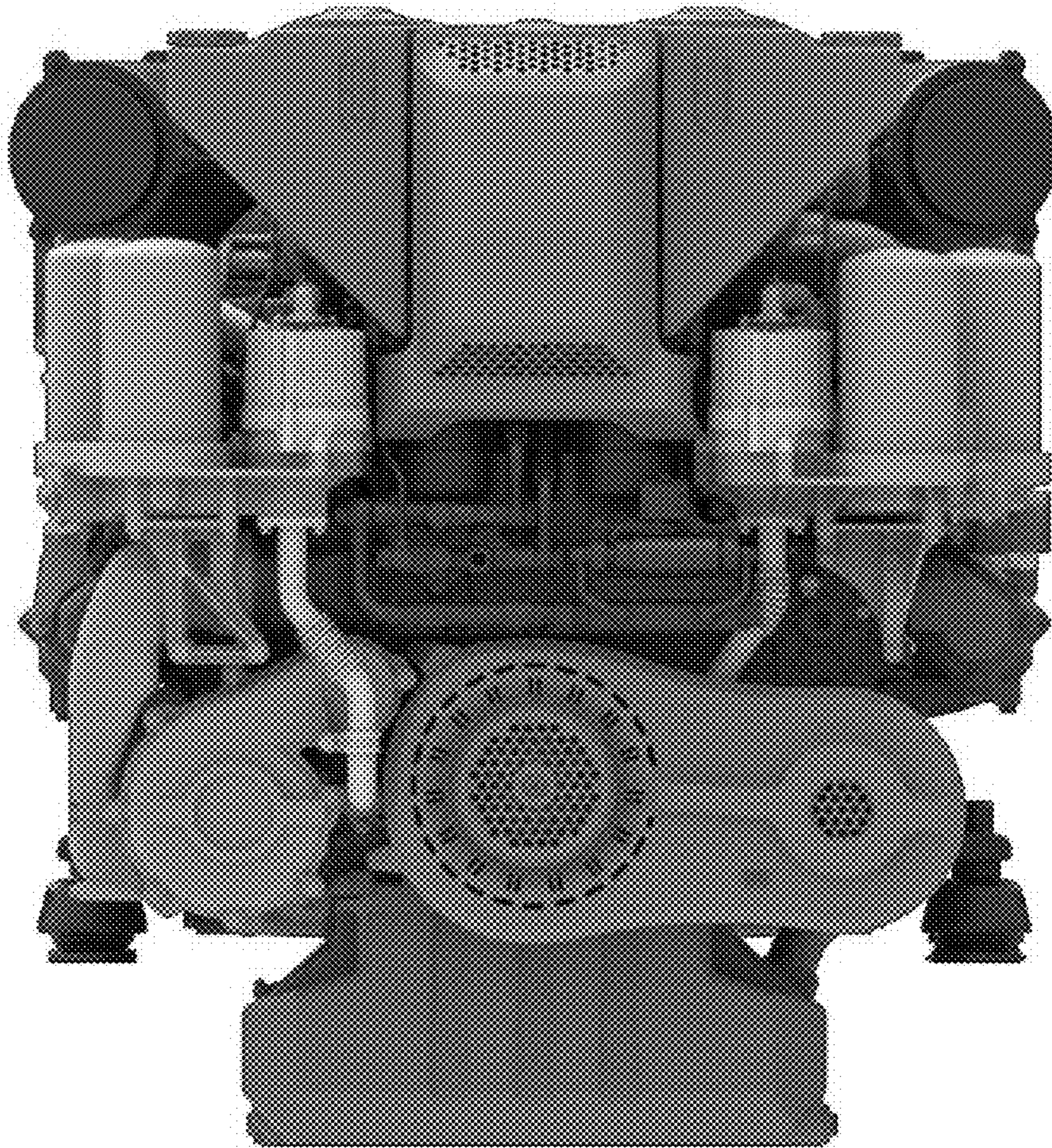


FIG. 4

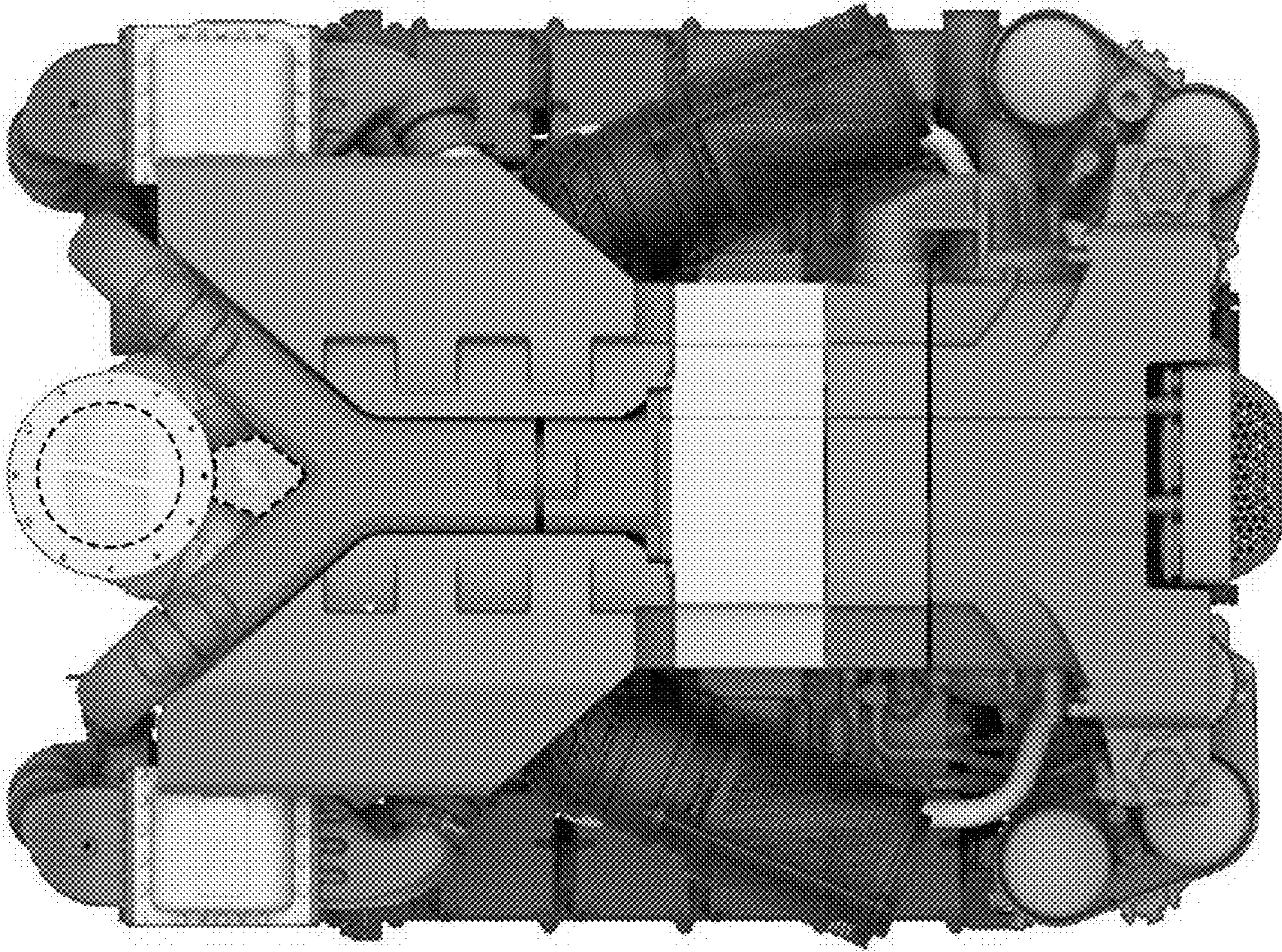


FIG. 5

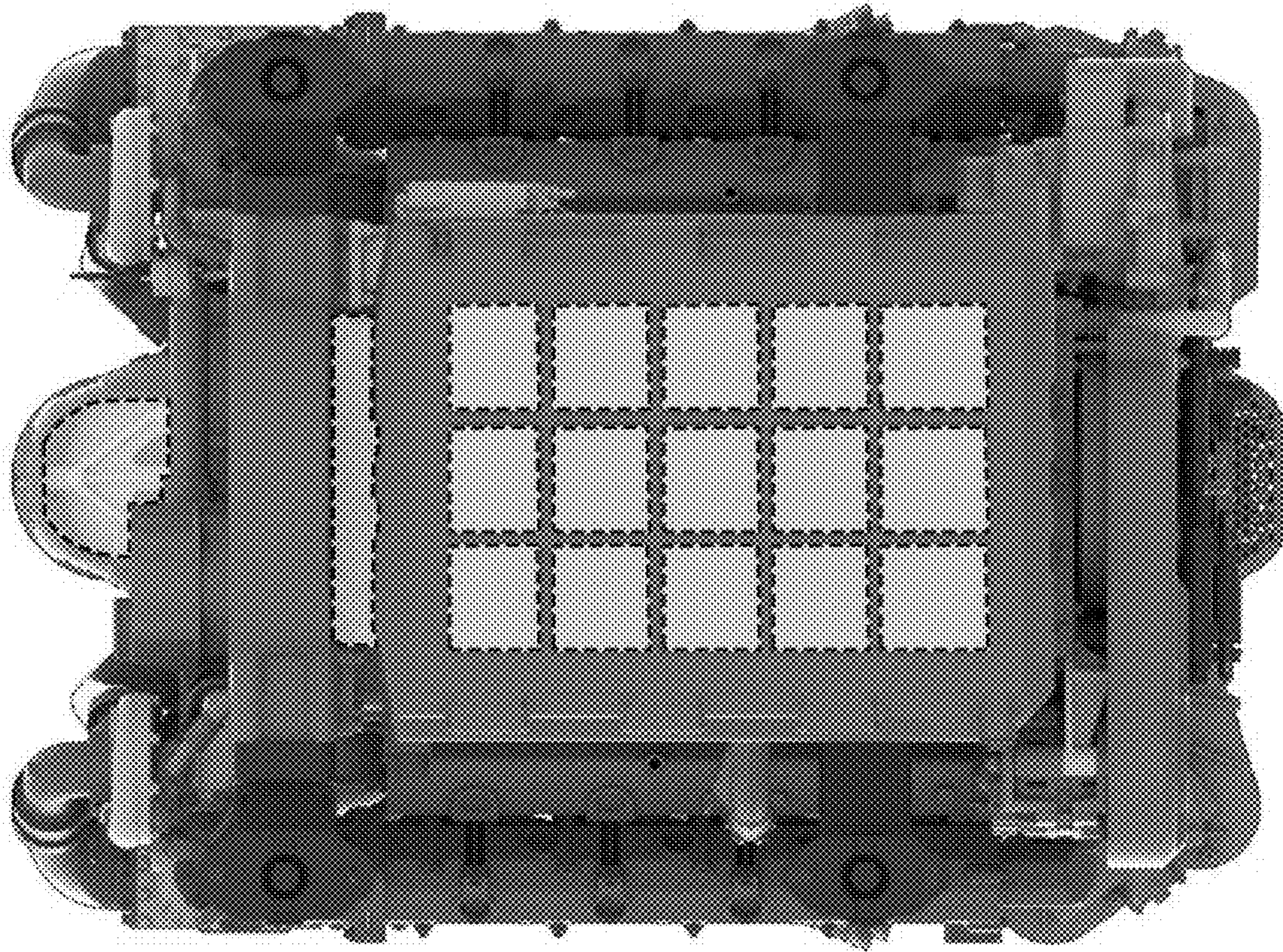


FIG. 6

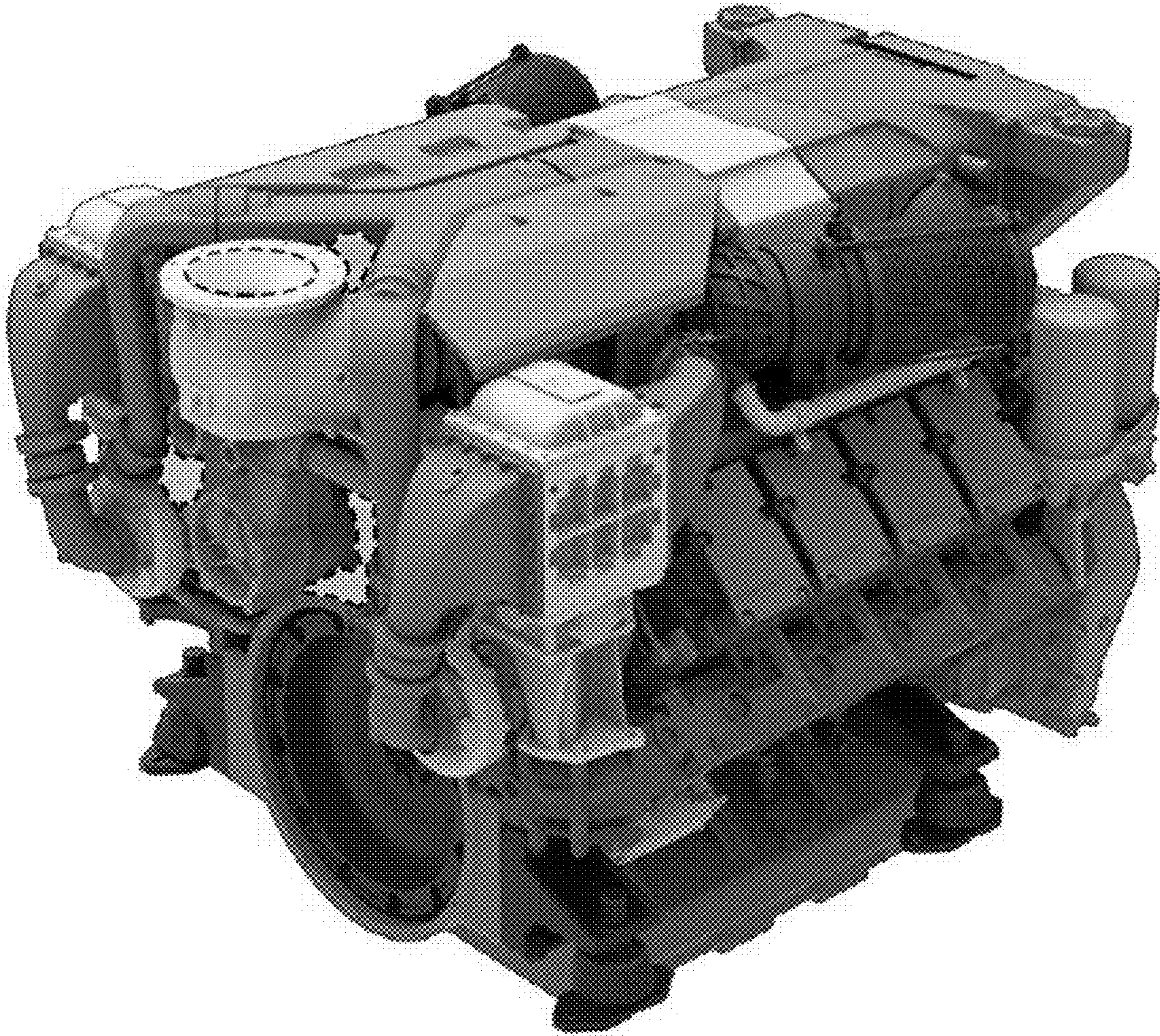


FIG. 7

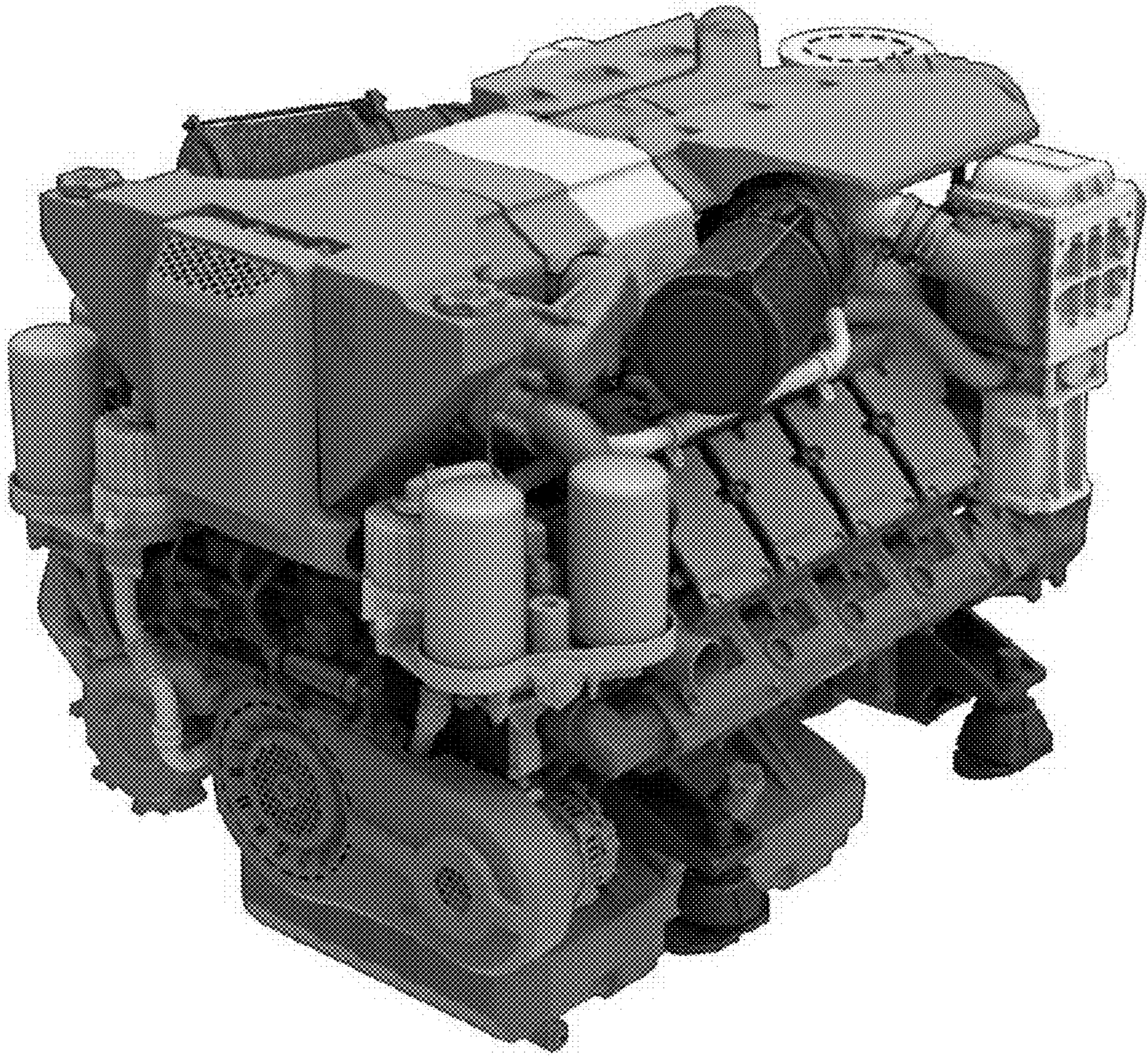


FIG. 8