

US00D960917S

(12) **United States Design Patent**
Luo et al.

(10) **Patent No.:** **US D960,917 S**

(45) **Date of Patent:** **** Aug. 16, 2022**

(54) **ELECTRONIC DISPLAY FOR A WEARABLE DEVICE WITH TRANSITIONAL GRAPHICAL USER INTERFACE**

D565,059 S * 3/2008 Armstrong D14/489
D715,811 S * 10/2014 Tsukamoto D14/485
D770,528 S * 11/2016 Lee D14/492
D778,305 S * 2/2017 Deusing D14/486
D829,736 S * 10/2018 Jochetz D14/486

(Continued)

(71) Applicant: **HUAWEI TECHNOLOGIES CO., LTD.**, Shenzhen (CN)

(72) Inventors: **Long Luo**, Shenzhen (CN); **Guyu Xie**, Shenzhen (CN)

(73) Assignee: **HUAWEI TECHNOLOGIES CO., LTD.**, Shenzhen (CN)

(**) Term: **15 Years**

Primary Examiner — Melanie H Tung

(21) Appl. No.: **29/726,127**

(74) *Attorney, Agent, or Firm* — Maier & Maier, PLLC

(22) Filed: **Feb. 28, 2020**

(30) **Foreign Application Priority Data**

Aug. 31, 2019 (CN) 201930479013.5

(51) **LOC (13) Cl.** **14-04**

(52) **U.S. Cl.**
USPC **D14/486**

(58) **Field of Classification Search**
USPC D14/485-95; D10/30, 38-39, 123, 126
CPC .. G06F 3/0481; G06F 3/0482; G06F 3/04812;
G06F 3/04817; G06F 3/0484; G06F
3/0485; G06F 3/048; G06F 3/0487; G06F
3/0488; G06F 3/04883; G06F 3/04886;
G06F 3/0489; G06F 3/0486; G06F
3/04842; G06F 3/04845; G06F 3/04847;
G04B 19/00; G04B 19/06; H04N 1/00424
See application file for complete search history.

(56) **References Cited**

U.S. PATENT DOCUMENTS

D396,710 S * 8/1998 Cappa D14/494
6,556,222 B1 * 4/2003 Narayanaswami .. G04G 9/0064
368/295

OTHER PUBLICATIONS

<https://www.istockphoto.com/vector/abstract-black-and-white-stripe-pattern-background-gm498746705-42174980> (Year: 2014).*

(Continued)

(57) **CLAIM**

The ornamental design for an electronic display for a wearable device with transitional graphical user interface, as shown and described.

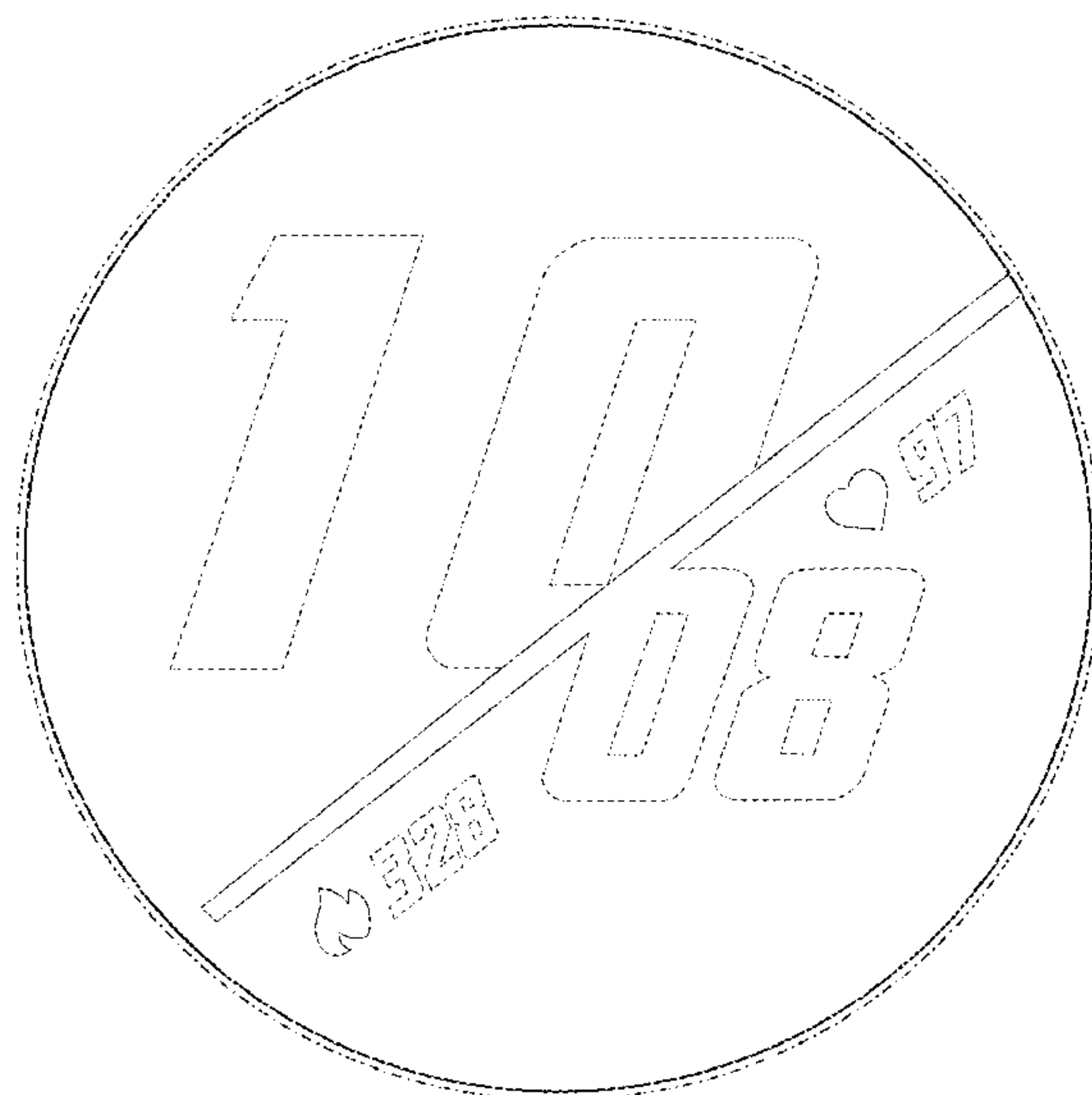
DESCRIPTION

FIG. 1 is a front view of a first image of an electronic display for a wearable device with transitional graphical user interface, showing our new design;

FIG. 2 is an enlarged front view of the first image thereof; FIG. 3 is a front view of a second image thereof; and, FIG. 4 is an enlarged front view of the second image thereof. The appearance of the graphical user interface transitions sequentially between the images shown in FIGS. 1 and 3 and FIGS. 2 and 4, respectively. The process or period in which one image transitions to another forms no part of the claimed design.

The dashed broken line showing of an electronic display for a wearable device in FIGS. 1 and 3 forms no part of the claimed design. The dash-dot-dash line labeled 2 in in FIG. 1 and labeled 4 in FIG. 3 indicates the enlarged portions shown in FIGS. 2 and 4, respectively. The dash-dot-dash line forms no part of the claimed design.

1 Claim, 4 Drawing Sheets



(56)

References Cited

U.S. PATENT DOCUMENTS

D837,812 S * 1/2019 Kim D14/486
D852,816 S * 7/2019 Baekelandt D14/485
D855,639 S * 8/2019 Luchner D14/486
D860,222 S * 9/2019 Cen D14/485
D893,511 S * 8/2020 Heinbockel D14/485

OTHER PUBLICATIONS

<https://www.istockphoto.com/vector/abstract-diagonal-lines-background-design-gm880816230-245312150> (Year: 2017).*

<https://9to5google.com/2019/09/19/huawei-watch-gt-2-fitness-band-go-official/> (Year: 2019).*

https://www.iconfinder.com/icons/4198394/construction_fire_industry_oil_icon (Year: 2019).*

<https://www.istockphoto.com/photo/digital-diagonal-red-lines-abstract-background-3d-rendering-gm611890594-105335871> (Year: 2016).*

https://www.iconfinder.com/icons/749212/heart_bookmark_favorite_like_love_favourite_icon (Year: 2015).*

<https://dribbble.com/ustwo/projects/249791-Android-Wear-Watch-Faces> (Year: 2014).*

https://www.iconfinder.com/icons/3056301/fire_burn_flame_icon (Year: 2018).*

https://www.iconfinder.com/icons/4517645/burn_fire_flame_hot_nature_icon (Year: 2019).*

<https://www.youtube.com/watch?v=MGMO76-q0CQc>. at 3:00 (Year: 2015).*

<https://www.notebookcheck.net/Huawei-Watch-GT-2-Smartwatch-Review-Stupendously-smart-but-buggy.439541.0.html> (Year: 2019).*

* cited by examiner

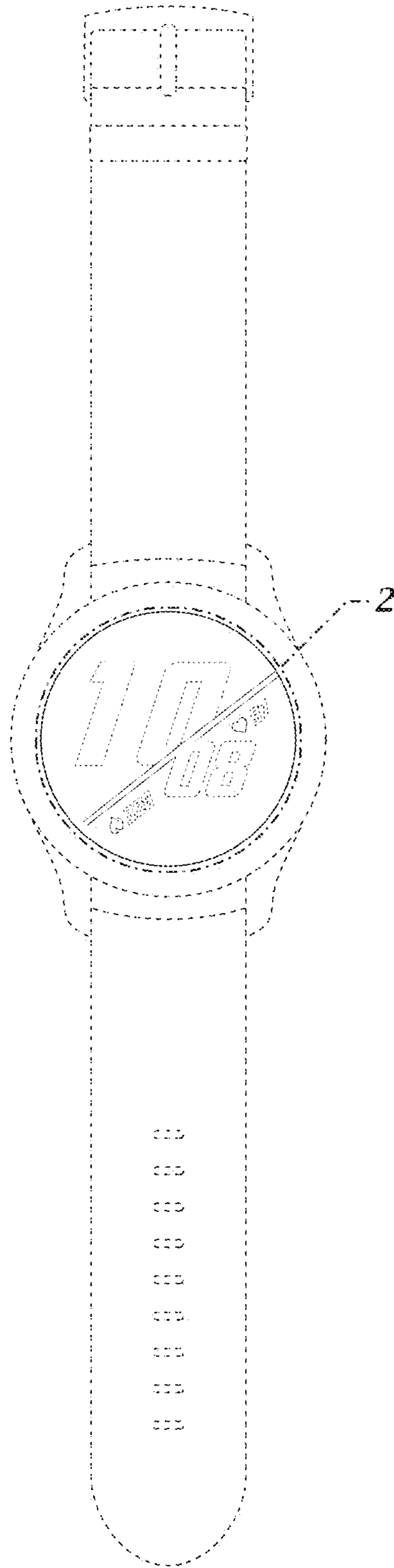


FIG. 1

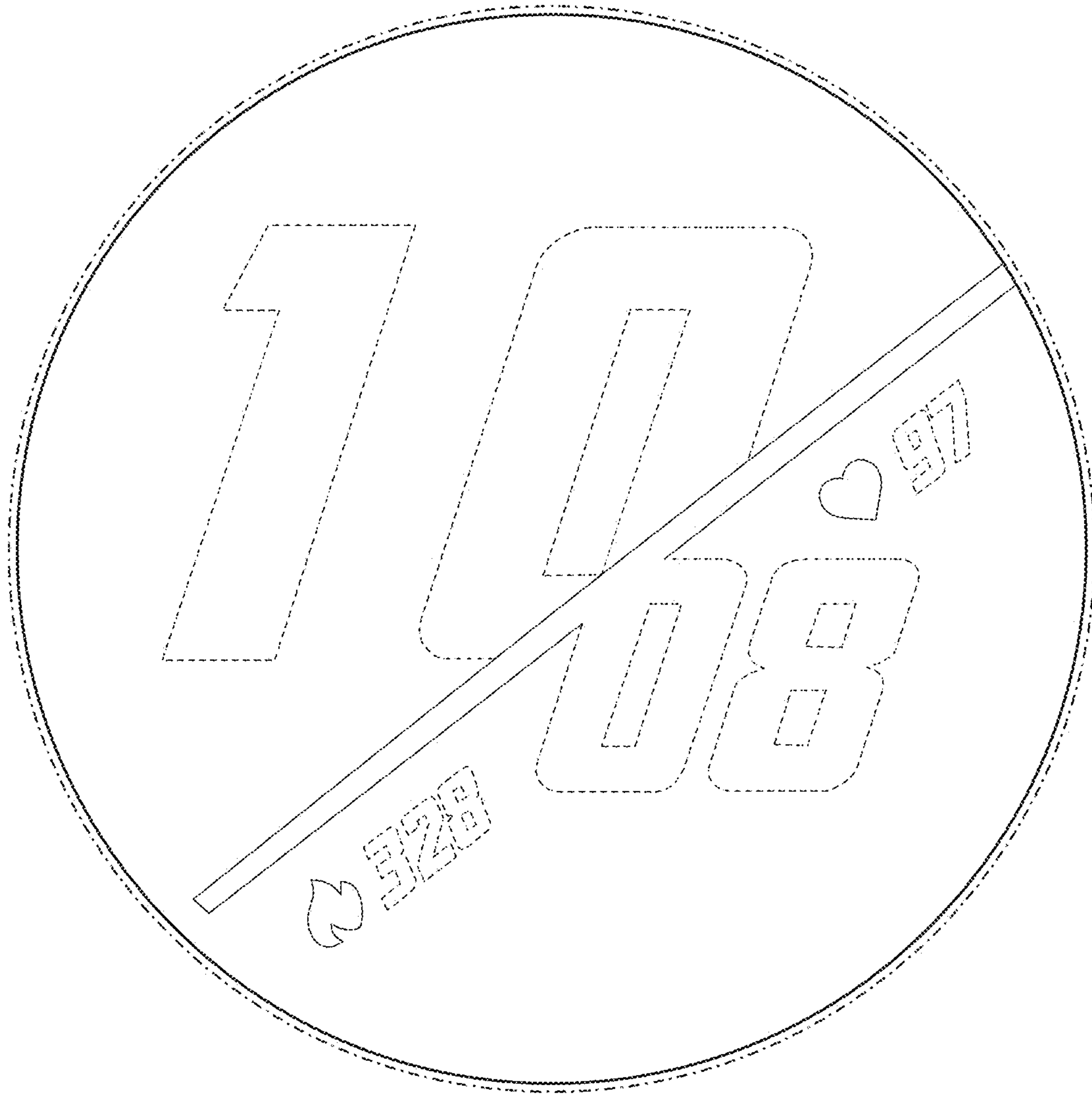


FIG. 2

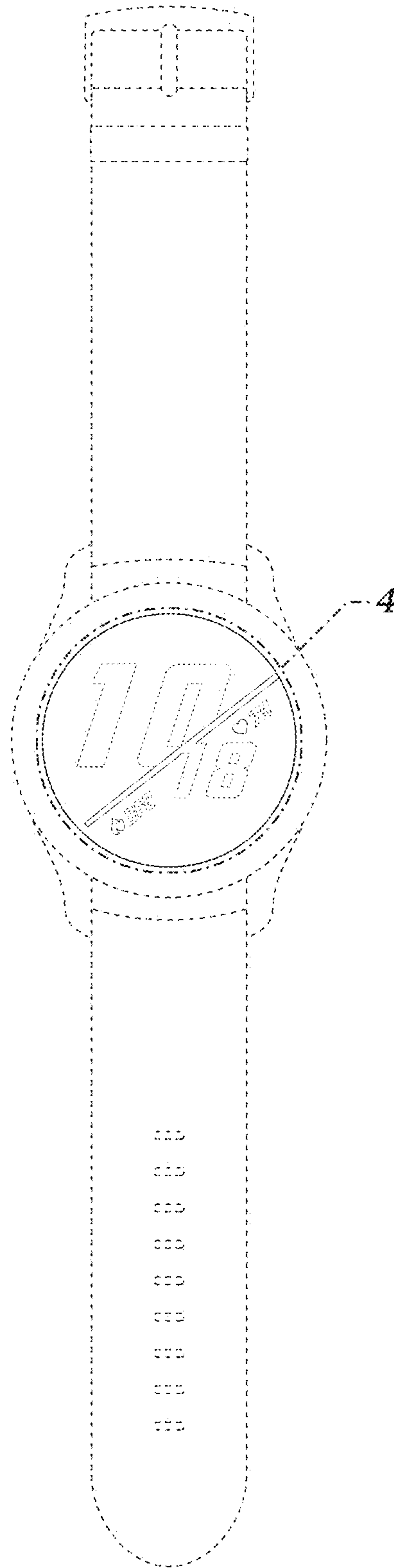


FIG. 3

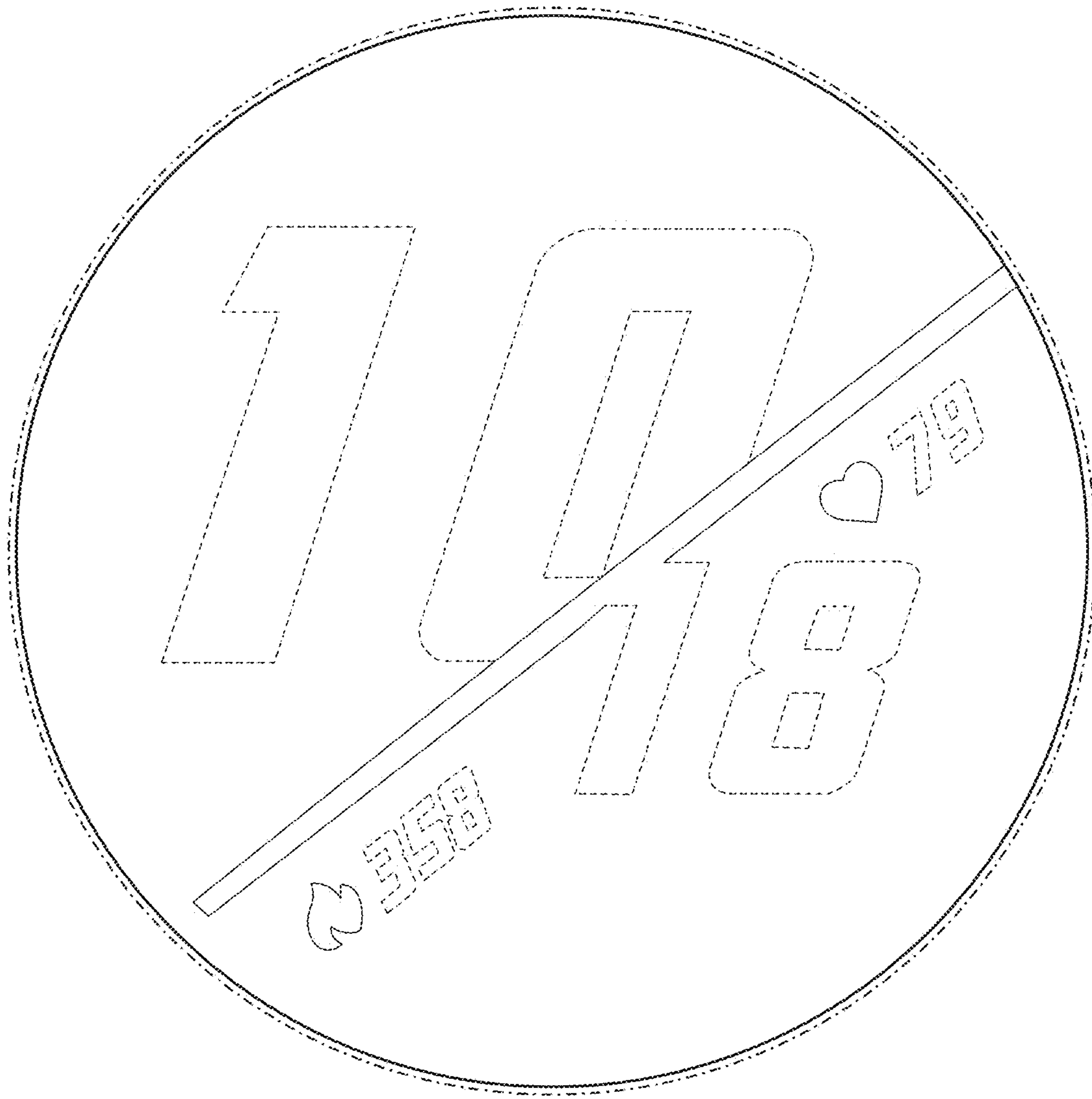


FIG. 4