



US00D960908S

(12) **United States Design Patent**
Shaviv et al.

(10) **Patent No.:** **US D960,908 S**

(45) **Date of Patent:** **** Aug. 16, 2022**

(54) **DISPLAY SCREEN WITH GRAPHICAL USER INTERFACE**

(71) Applicant: **NeuroDerm, Ltd.**, Rehovot (IL)

(72) Inventors: **Eliya Shaviv**, Herzliya (IL); **CHen Aviad**, Pardesiya (IL); **Tsahi Grinberg**, Haifa (IL); **Clinton Young**, Ardingly (GB)

(73) Assignee: **NeuroDerm, Ltd.**, Rehovot (IL)

(**) Term: **15 Years**

(21) Appl. No.: **29/782,440**

(22) Filed: **May 6, 2021**

D582,427 S *	12/2008	Neuhaus	D14/491
D601,164 S *	9/2009	Pell	D14/491
D602,500 S *	10/2009	Tokunaga	D15/7
D606,091 S *	12/2009	O'Donnell	D14/489
D644,659 S *	9/2011	Pizzutelli	D14/495
D658,675 S *	5/2012	Gleasant	D14/488
D669,906 S *	10/2012	Cranfill	G06F 3/0483
				D14/485
8,878,879 B2 *	11/2014	Lee	G06F 3/0485
				345/662
D759,063 S *	6/2016	Chen	D14/486
D818,477 S *	5/2018	Hoffman	D14/486
D819,671 S *	6/2018	Rajaraman	D14/486
D821,423 S *	6/2018	Von Reden	D14/486
D823,331 S *	7/2018	Ishitsuka	D14/486
D824,407 S *	7/2018	Peeters	D14/486
D826,971 S *	8/2018	Fleischmann	D14/486
D831,682 S *	10/2018	Emanuel	D14/486

(Continued)

Related U.S. Application Data

(62) Division of application No. 29/723,714, filed on Feb. 10, 2020, now Pat. No. Des. 935,478.

(51) **LOC (13) Cl.** **14-04**

(52) **U.S. Cl.**
USPC **D14/485**

(58) **Field of Classification Search**
USPC D14/485-95; D24/111
CPC G06F 3/48; G06F 3/0481; G06F 3/04812;
G06F 3/04815; G06F 3/04817; G06F
3/0482; G06F 3/0483; G06F 3/0484;
G06F 3/04842; G06F 3/04845; G06F
3/04847; G06F 3/0485; G06F 3/0486;
G06F 3/0487; G06F 3/0488

See application file for complete search history.

(56) **References Cited**

U.S. PATENT DOCUMENTS

D385,547 S *	10/1997	Snell	D14/495
D395,878 S *	7/1998	Copeland	D14/495
D422,991 S *	4/2000	Regan, Jr.	D14/493
D437,858 S *	2/2001	Yasui	D14/486

OTHER PUBLICATIONS

Mitsubishi Tanabe Is Making A Huge Mistake—Viceroy, <https://seekingalpha.com/article/4104212-mitsubishi-tanabe-is-making-huge-mistake-why-believe-neuroderm-is-lemon> (Year: 2017).*

(Continued)

Primary Examiner — Melanie H Tung

Assistant Examiner — Darmawan Truong

(74) *Attorney, Agent, or Firm* — Goodwin Procter LLP

(57) **CLAIM**

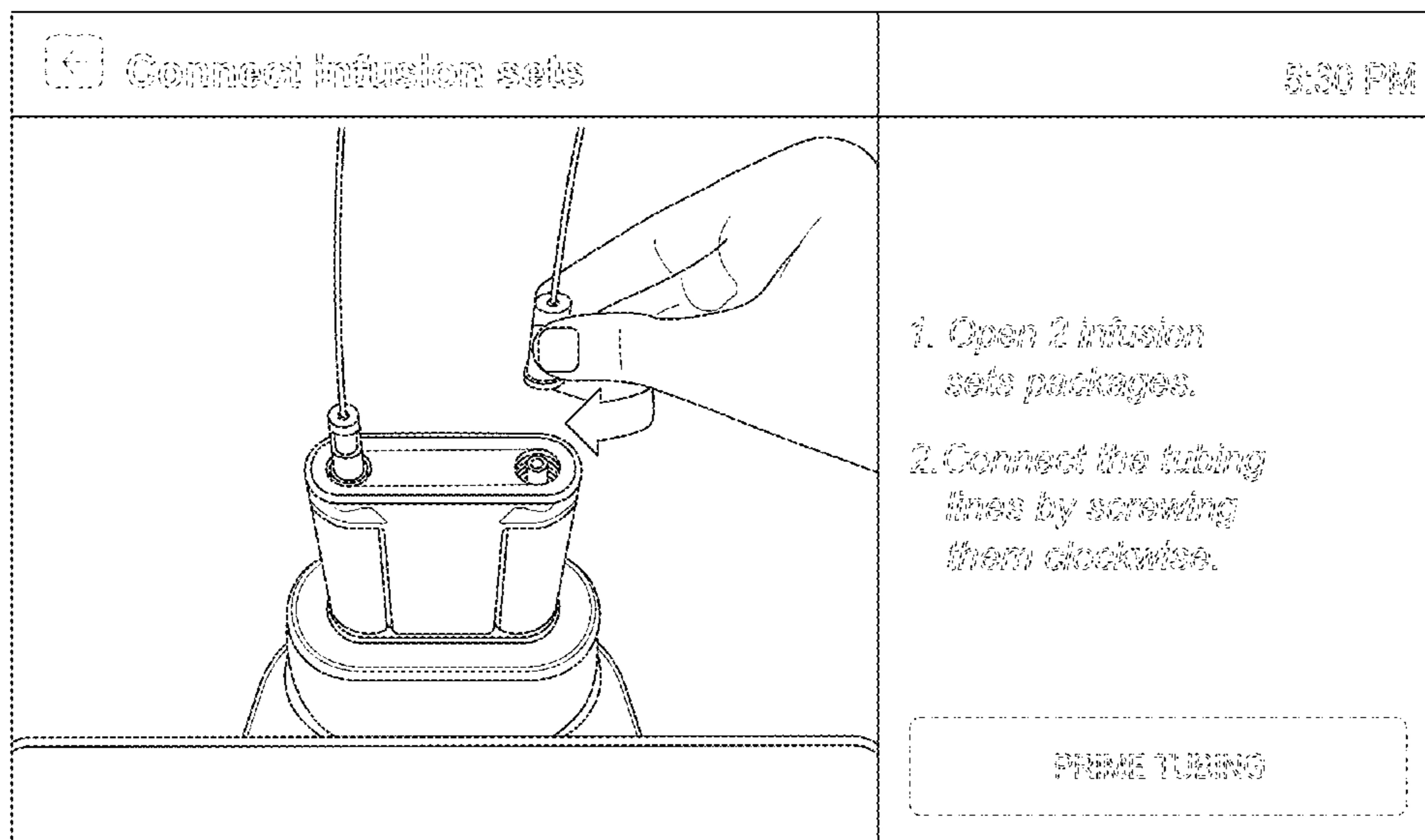
The ornamental design for the display screen with graphical user interface, as shown and described.

DESCRIPTION

The FIGURE is a front view of a display screen with graphical user interface.

The broken lines showing portions of the graphical user interface form no part of the claim.

1 Claim, 1 Drawing Sheet



(56)

References Cited

U.S. PATENT DOCUMENTS

D832,295 S * 10/2018 Chung D14/486
D832,877 S * 11/2018 Chung D14/486
D848,461 S * 5/2019 Rubin D14/486
10,463,572 B2 * 11/2019 Shor H03H 9/0509
D868,689 S * 12/2019 Shor D24/111
D921,189 S * 6/2021 Shor D24/111

OTHER PUBLICATIONS

NeuroDerm's ND0612H for Parkinson's—Medgadget, <https://www.medgadget.com/2014/08/neuroderms-nd0612h-for-parkinsons-moving-toward-approval-in-europe.html> (Year: 2014).*

* cited by examiner

<p>5:30 PM</p>	<p>1. Open 2 infusion sets sets packages.</p> <p>2. Connect the tubing lines by screwing them clockwise. then clockwise.</p> <p>PREPARE TUBING</p>
<p>Connect infusion sets</p>	