

US00D960907S

(12) **United States Design Patent** (10) **Patent No.:** **US D960,907 S**  
**Shaviv et al.** (45) **Date of Patent:** **\*\* Aug. 16, 2022**

(54) **DISPLAY SCREEN WITH GRAPHICAL USER INTERFACE**

(71) Applicant: **NeuroDerm, Ltd.**, Rehovot (IL)

(72) Inventors: **Eliya Shaviv**, Herzliya (IL); **Chen Aviad**, Pardesiya (IL); **Tsahi Grinberg**, Haifa (IL); **Clinton Young**, Ardingly (GB)

(73) Assignee: **NeuroDerm, Ltd.**, Rehovot (IL)

(\*\*) Term: **15 Years**

(21) Appl. No.: **29/782,439**

(22) Filed: **May 6, 2021**

D582,427 S \* 12/2008 Neuhaus ..... D14/491  
D601,164 S \* 9/2009 Pell ..... D14/491  
D602,500 S \* 10/2009 Tokunaga ..... D15/7  
D606,091 S \* 12/2009 O'Donnell ..... D14/489  
D644,659 S \* 9/2011 Pizzutelli ..... D14/495  
D658,675 S \* 5/2012 Gleasman ..... D14/488  
D669,906 S \* 10/2012 Cranfill ..... G06F 3/0483  
D14/485  
8,878,879 B2 \* 11/2014 Lee ..... G06F 3/0485  
345/662  
D759,063 S \* 6/2016 Chen ..... D14/486  
D818,477 S \* 5/2018 Hoffman ..... D14/486  
D819,671 S \* 6/2018 Rajaraman ..... D14/486  
D821,423 S \* 6/2018 Von Reden ..... D14/486  
D823,331 S \* 7/2018 Ishitsuka ..... D14/486  
D824,407 S \* 7/2018 Peeters ..... D14/486  
D826,971 S \* 8/2018 Fleischmann ..... D14/486  
D831,682 S \* 10/2018 Emanuel ..... D14/486

(Continued)

**Related U.S. Application Data**

(62) Division of application No. 29/723,714, filed on Feb. 10, 2020, now Pat. No. Des. 935,478.

(51) **LOC (13) Cl.** ..... **14-04**

(52) **U.S. Cl.**  
USPC ..... **D14/485**

(58) **Field of Classification Search**  
USPC ..... D14/485-95; D24/111  
CPC ..... G06F 3/48; G06F 3/0481; G06F 3/04812;  
G06F 3/04815; G06F 3/04817; G06F  
3/0482; G06F 3/0483; G06F 3/0484;  
G06F 3/04842; G06F 3/04845; G06F  
3/04847; G06F 3/0485; G06F 3/0486;  
G06F 3/0487; G06F 3/0488

See application file for complete search history.

(56) **References Cited**

**U.S. PATENT DOCUMENTS**

D385,547 S \* 10/1997 Snell ..... D14/495  
D395,878 S \* 7/1998 Copeland ..... D14/495  
D422,991 S \* 4/2000 Regan, Jr. .... D14/493  
D437,858 S \* 2/2001 Yasui ..... D14/486

**OTHER PUBLICATIONS**

Mitsubishi Tanabe Is Making A Huge Mistake—Viceroy, <https://seekingalpha.com/article/4104212-mitsubishi-tanabe-is-making-huge-mistake-why-believe-neuroderm-is-lemon> (Year: 2017).\*

(Continued)

*Primary Examiner* — Melanie H Tung

*Assistant Examiner* — Darmawan Truong

(74) *Attorney, Agent, or Firm* — Goodwin Procter LLP

(57) **CLAIM**

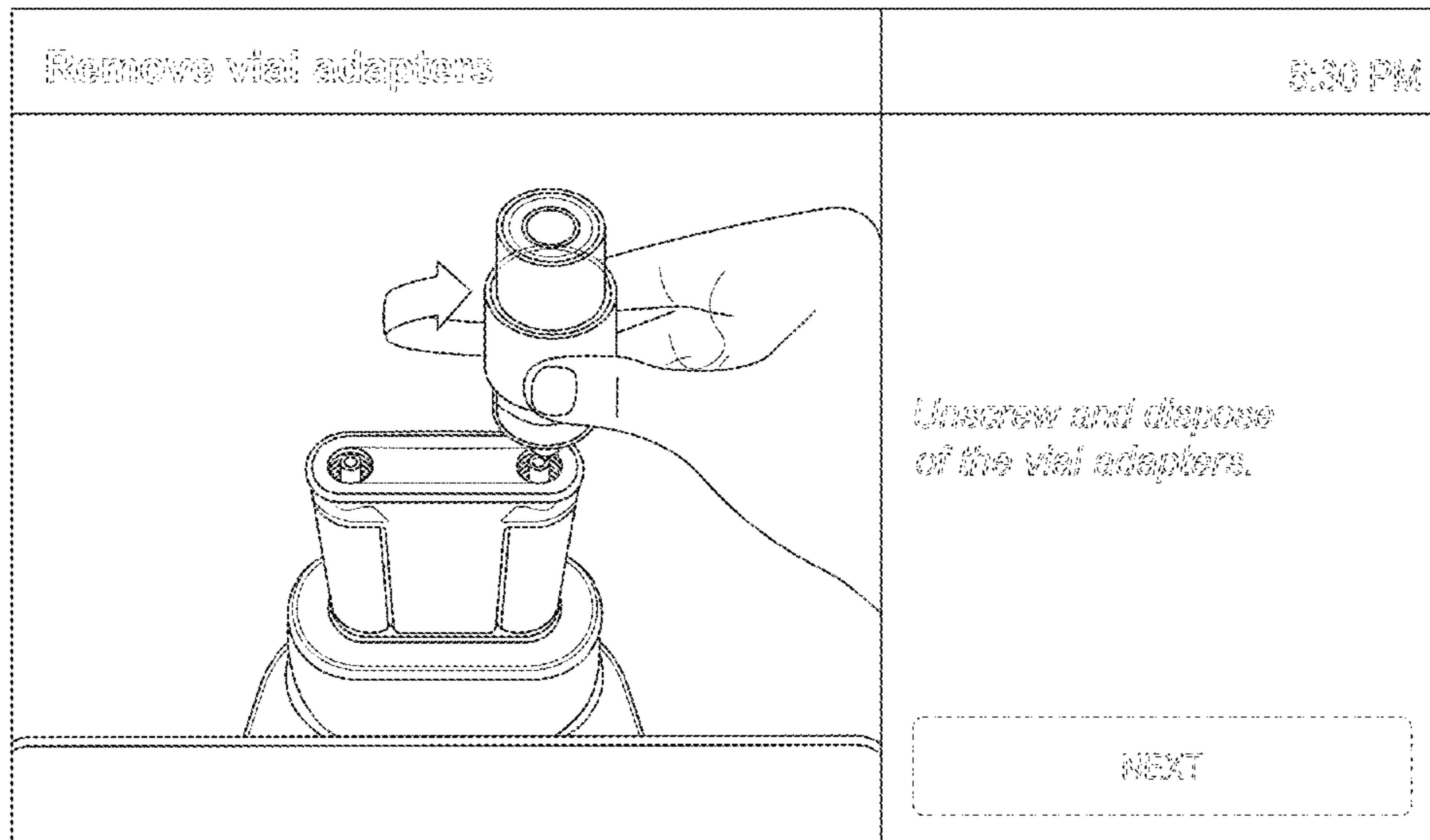
The ornamental design for the display screen with graphical user interface, as shown and described.

**DESCRIPTION**

The FIGURE is a front view of a display screen with graphical user interface.

The broken lines showing portions of the graphical user interface form no part of the claim.

**1 Claim, 1 Drawing Sheet**



(56)

**References Cited**

U.S. PATENT DOCUMENTS

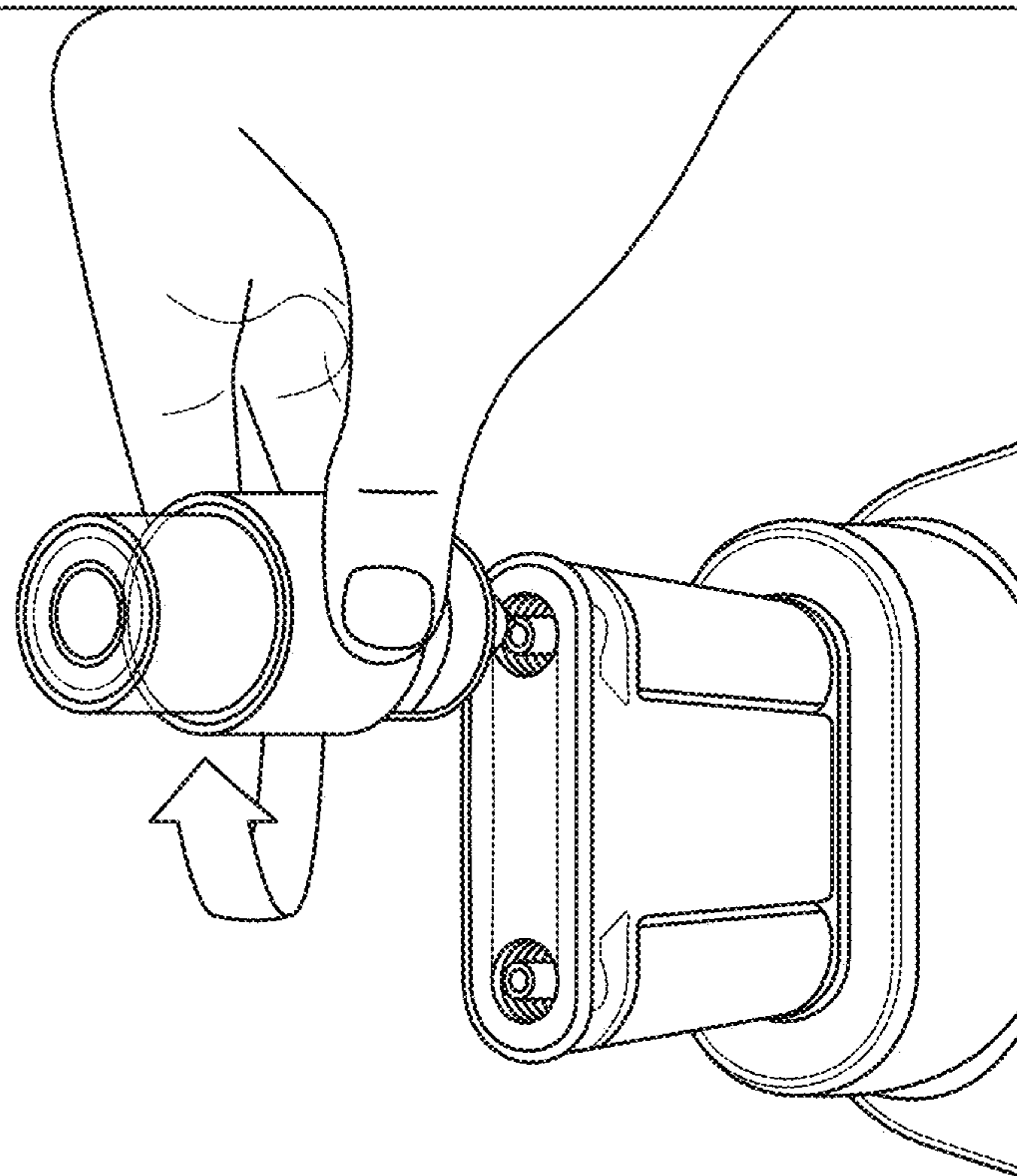
D832,295 S \* 10/2018 Chung ..... D14/486  
D832,877 S \* 11/2018 Chung ..... D14/486  
D848,461 S \* 5/2019 Rubin ..... D14/486  
10,463,572 B2 \* 11/2019 Shor ..... H03H 9/0509  
D868,689 S \* 12/2019 Shor ..... D24/111  
D921,189 S \* 6/2021 Shor ..... D24/111

OTHER PUBLICATIONS

NeuroDerm's ND0612H for Parkinson's—Medgadget, <https://www.medgadget.com/2014/08/neuroderms-nd0612h-for-parkinsons-moving-toward-approval-in-europe.html> (Year: 2014).\*

\* cited by examiner

Remove vial adapters



5:30 PM

*Remove and dispose  
of the vial adapters.*

NEXT