



US00D960892S

(12) **United States Design Patent**
Zhang

(10) **Patent No.:** **US D960,892 S**

(45) **Date of Patent:** **** Aug. 16, 2022**

(54) **TABLET CASE**

(71) Applicant: **Suni Zhang**, Guangzhou (CN)

(72) Inventor: **Suni Zhang**, Guangzhou (CN)

(**) Term: **15 Years**

(21) Appl. No.: **29/774,430**

(22) Filed: **Mar. 17, 2021**

(30) **Foreign Application Priority Data**

Oct. 29, 2020 (CN) 202030647120.7

(51) **LOC (13) Cl.** **14-02**

(52) **U.S. Cl.**
USPC **D14/440**

(58) **Field of Classification Search**
USPC D14/440, 250, 447; 206/45.2, 45.23,
206/320; 361/679.55; 294/25; 224/218
CPC ... G06F 1/1628; G06F 1/1626; A47B 23/044;
H04B 1/3888
See application file for complete search history.

(56) **References Cited**

U.S. PATENT DOCUMENTS

D709,869 S * 7/2014 Witter D14/250
8,820,525 B1 * 9/2014 Zanxiang F16M 11/10
206/45.24
D845,290 S * 4/2019 Brubaker D14/250
D872,070 S * 1/2020 Fenton D14/250
D874,466 S * 2/2020 Lei D14/440
D921,637 S * 6/2021 Cheng D14/440

D921,638 S * 6/2021 Li D14/440
D923,629 S * 6/2021 Ma D14/440
D924,877 S * 7/2021 Weng D14/440
D935,467 S * 11/2021 Zhu D14/440
D936,060 S * 11/2021 Zhang D14/440
D941,297 S * 1/2022 Wright D14/440
2013/0313142 A1 * 11/2013 Wen A45C 11/00
206/45.24

* cited by examiner

Primary Examiner — Katie Jane Stofko

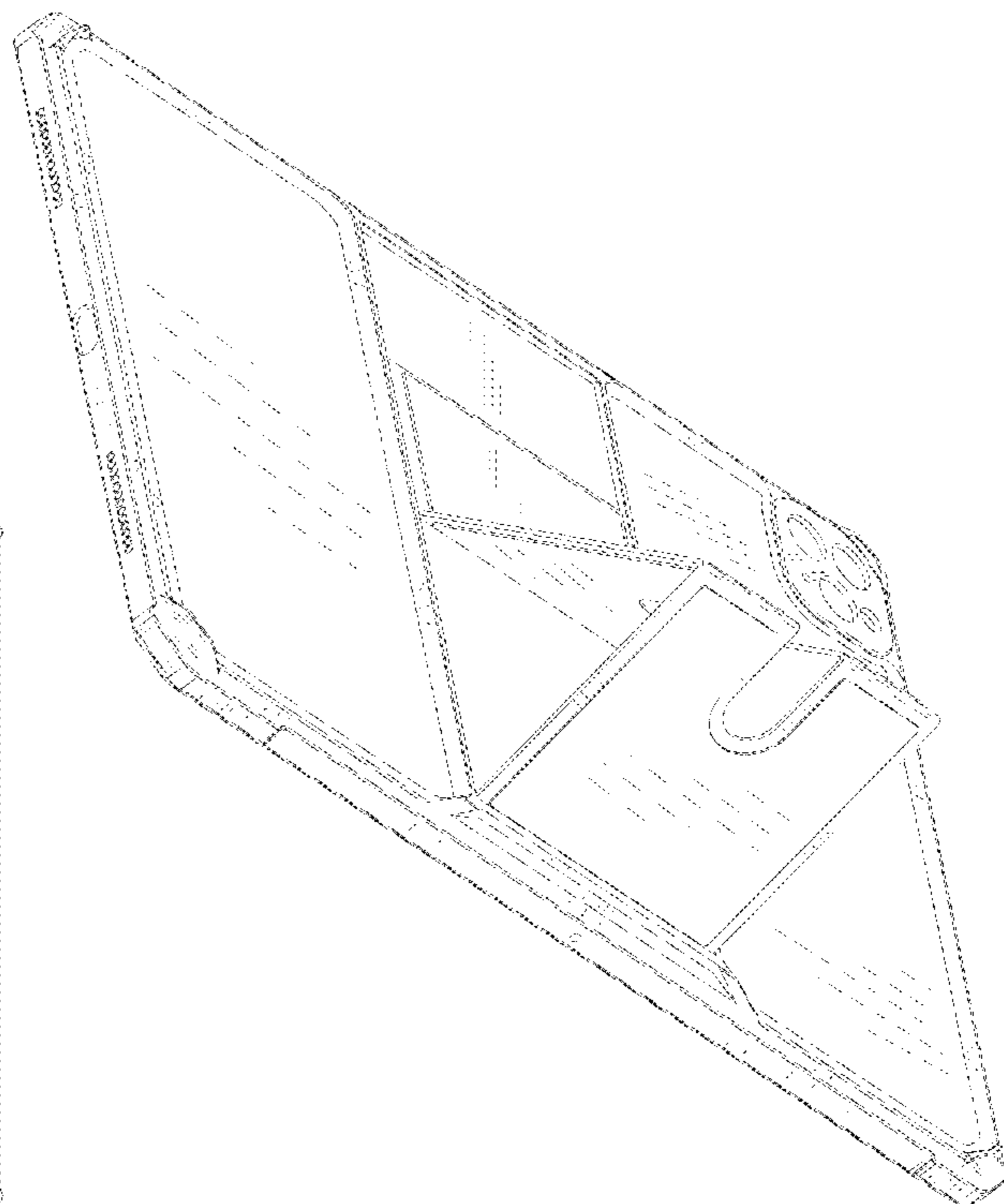
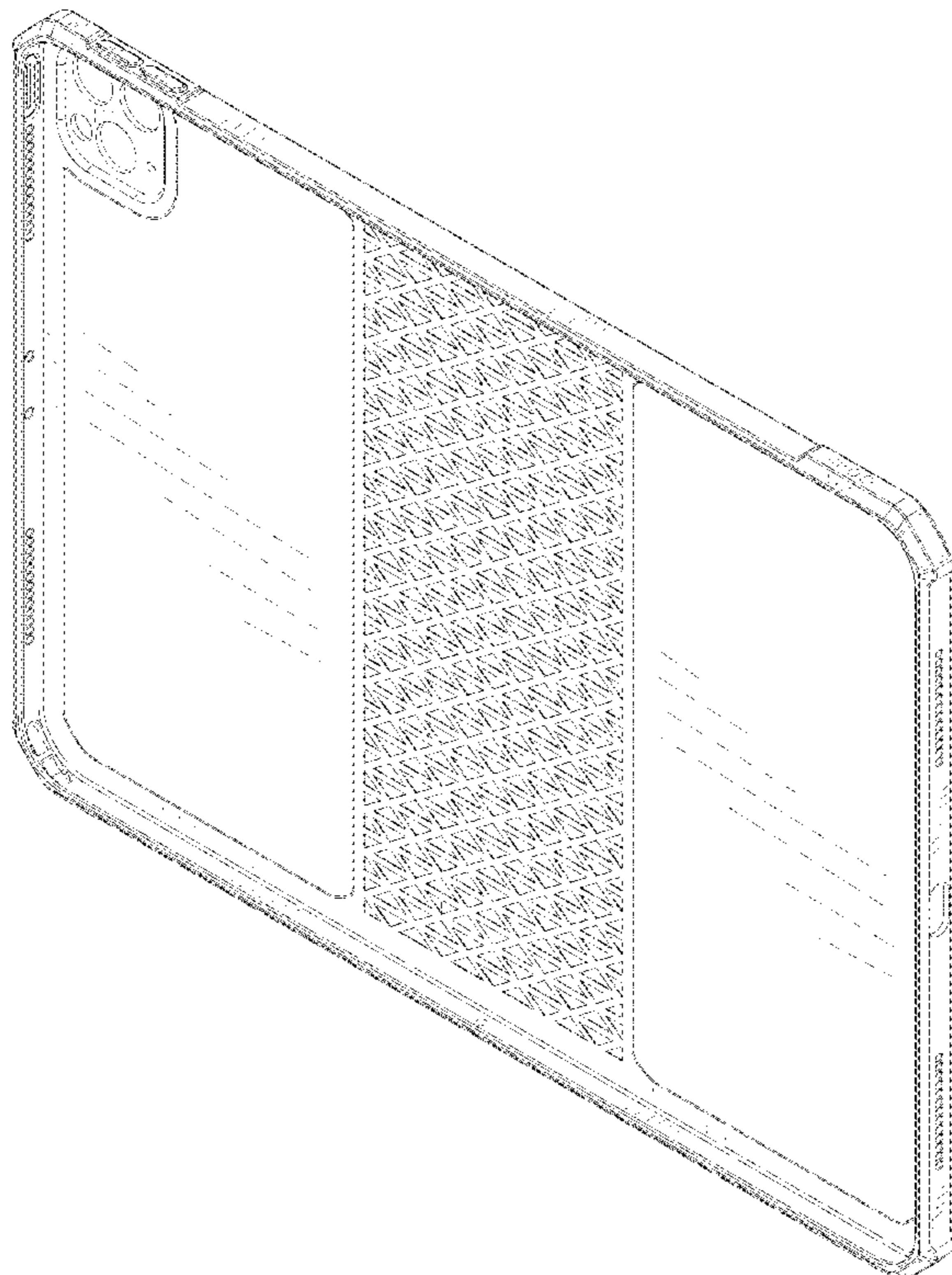
(57) **CLAIM**

The ornamental design for a tablet case, as shown and described.

DESCRIPTION

FIG. 1 is a front, top and right side perspective view of a tablet case showing my new design;
FIG. 2 is a rear, bottom and right side perspective view thereof;
FIG. 3 is another rear, bottom and right side perspective view thereof, shown in a closed position;
FIG. 4 is a front elevational view of FIG. 1;
FIG. 5 is a rear elevational view thereof;
FIG. 6 is a left side elevational view thereof;
FIG. 7 is a right side elevational view thereof;
FIG. 8 is a top plan view thereof; and,
FIG. 9 is a bottom plan view thereof.
The broken lines in the drawings depict portions of the tablet case that form no part of the claimed design.

1 Claim, 9 Drawing Sheets



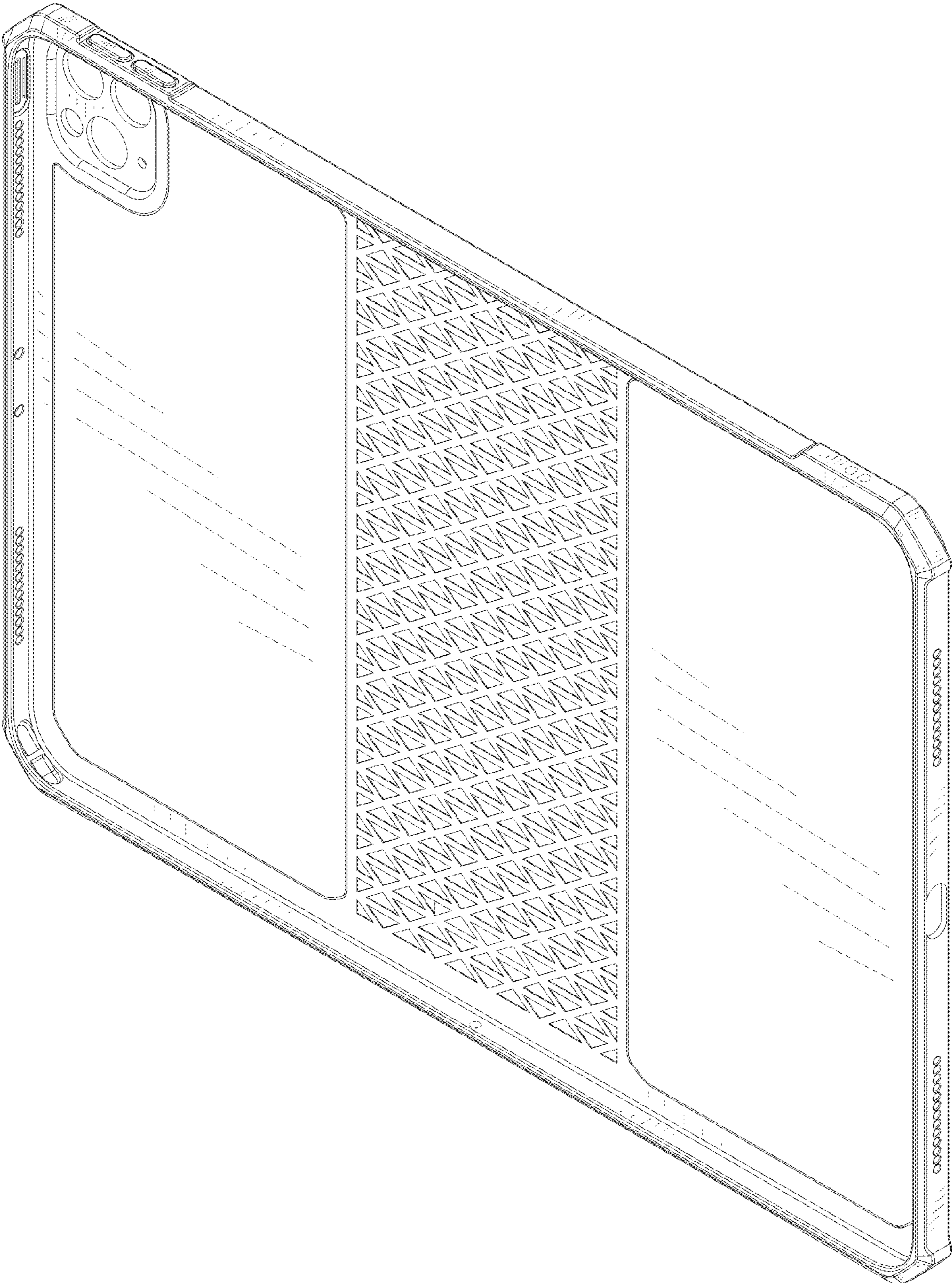


FIG. 1

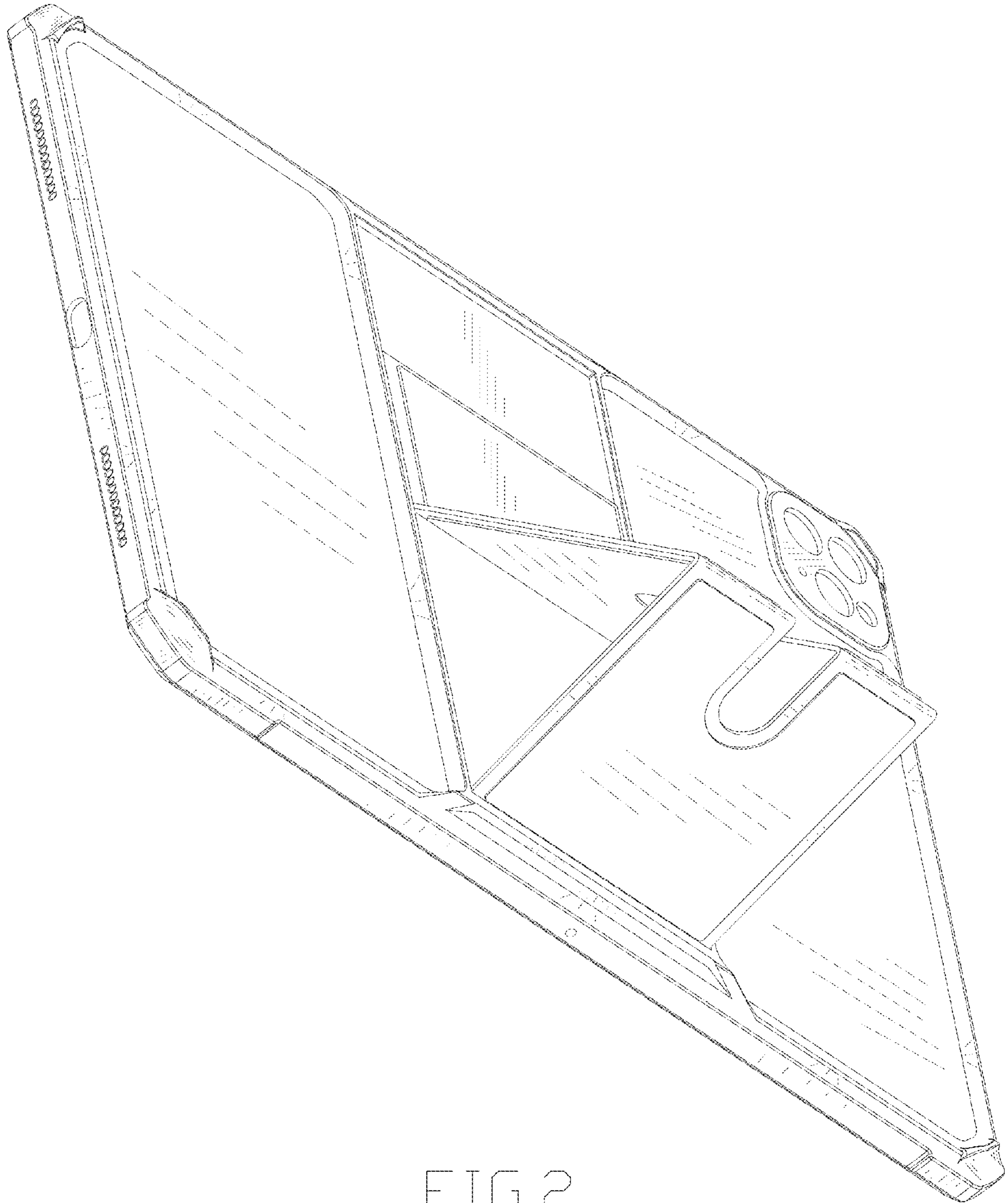


FIG. 2

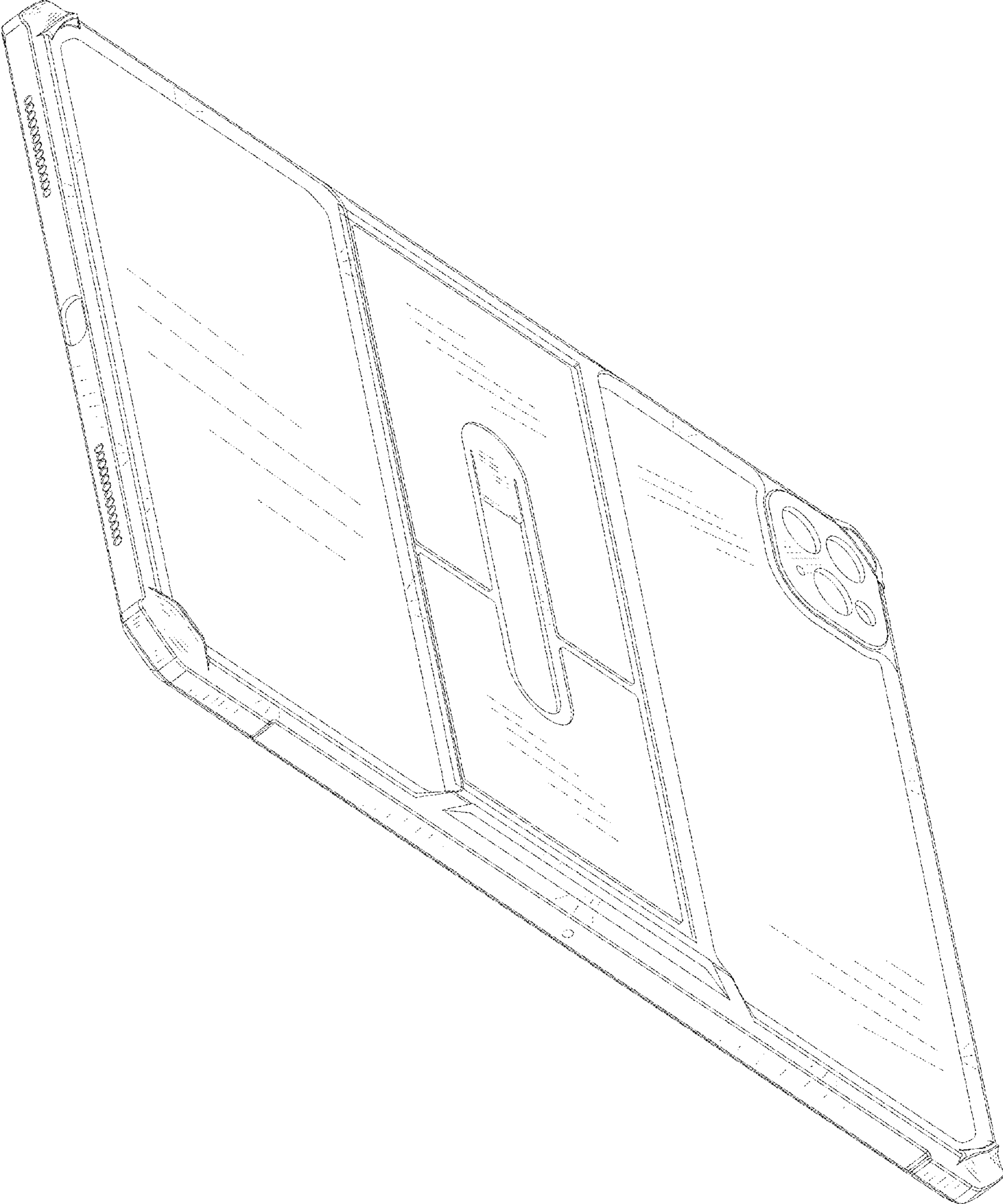


FIG. 3

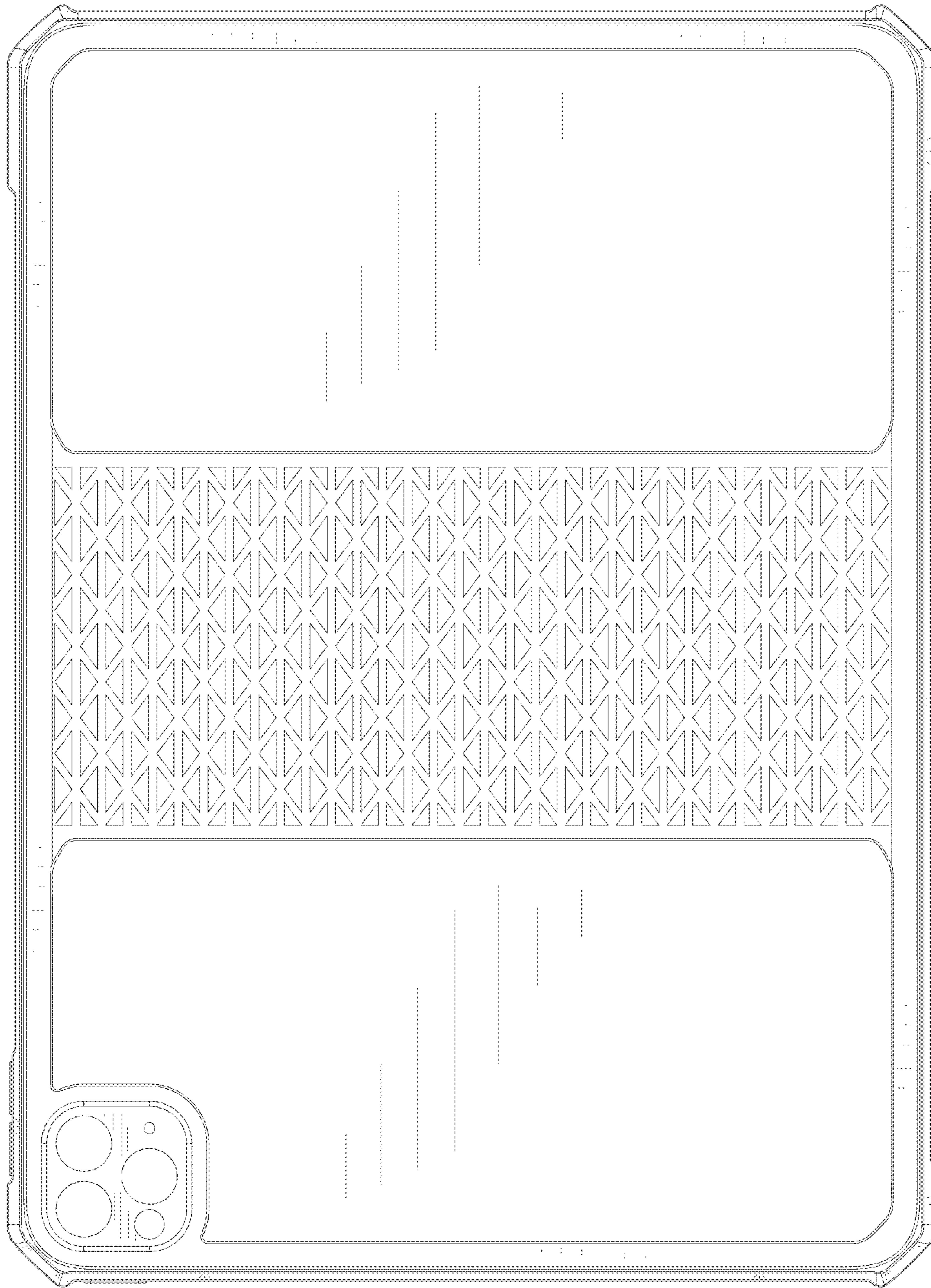


FIG. 4

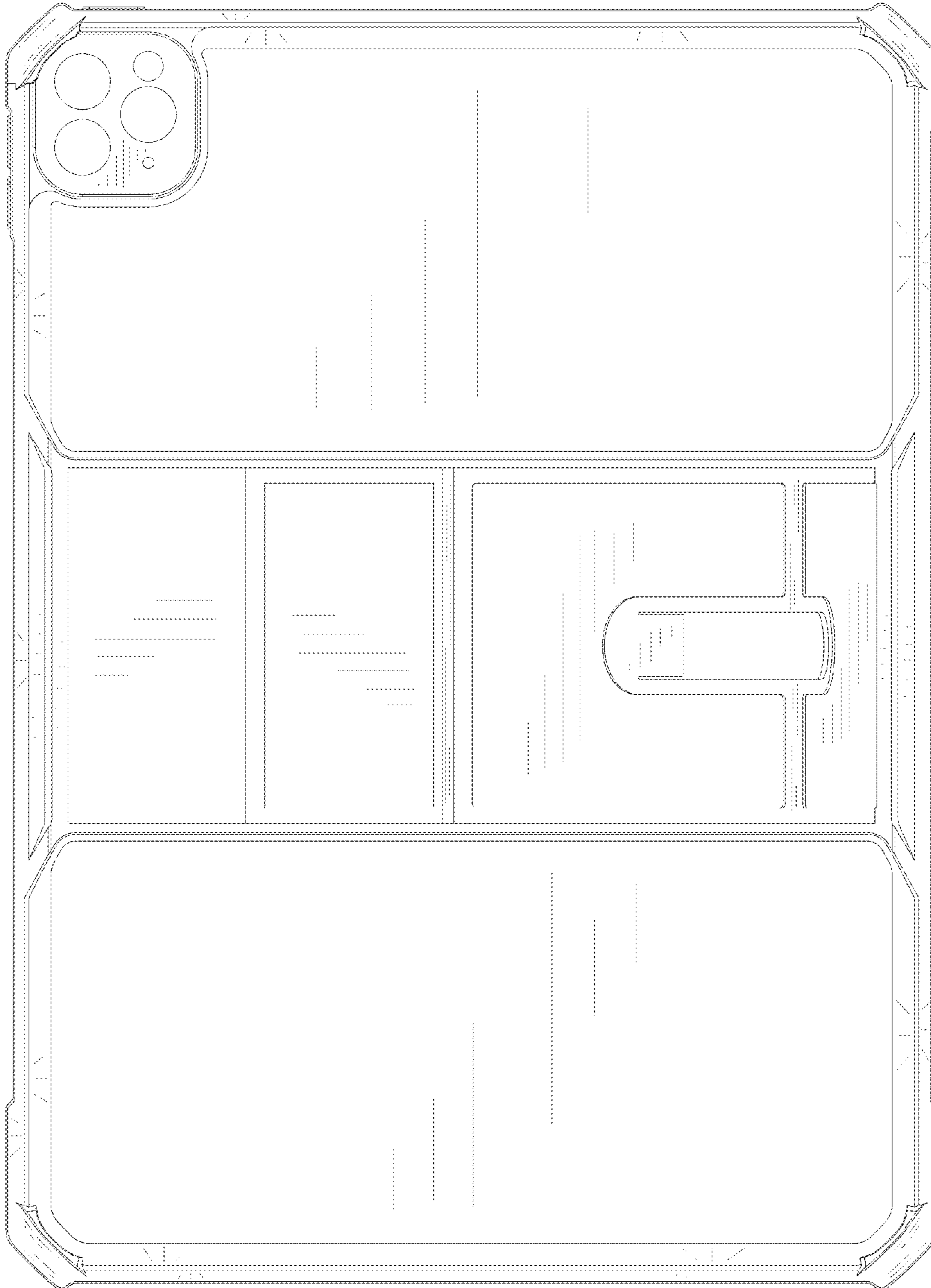


FIG. 5

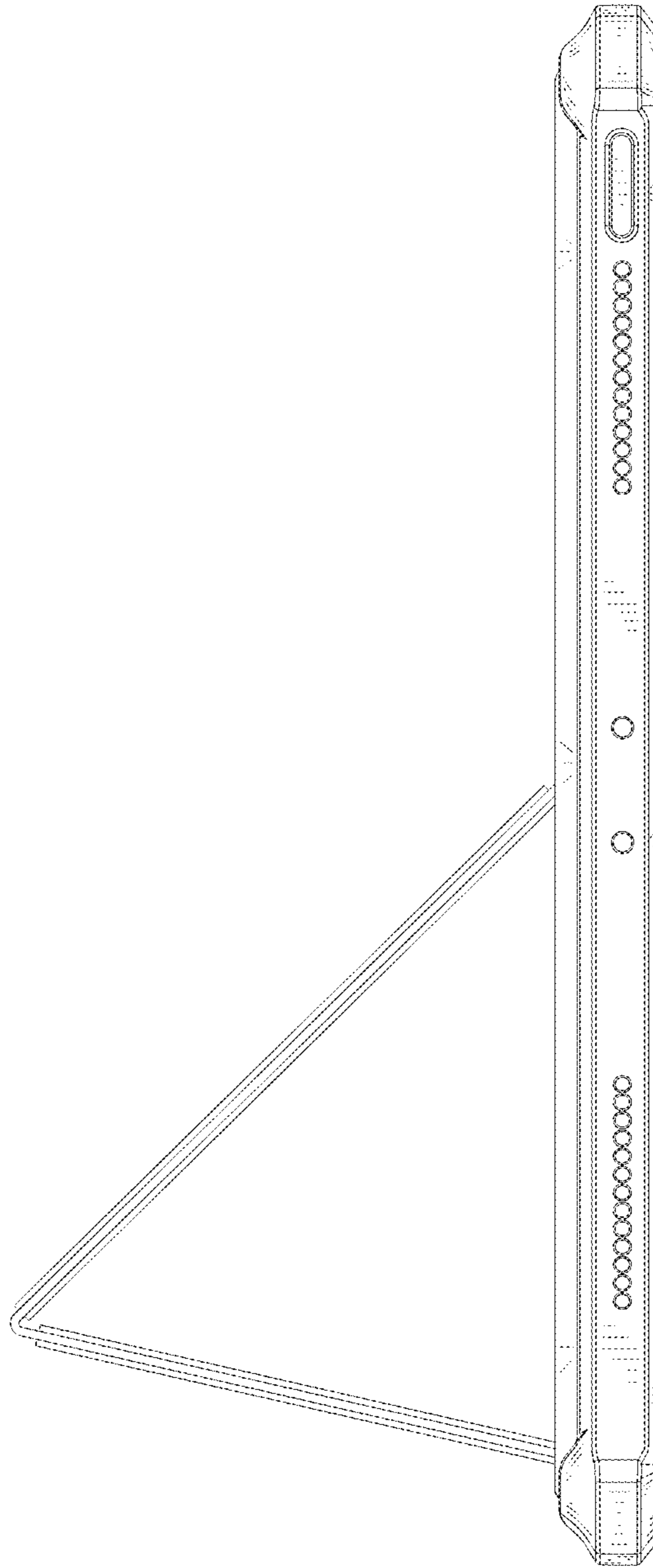


FIG. 6

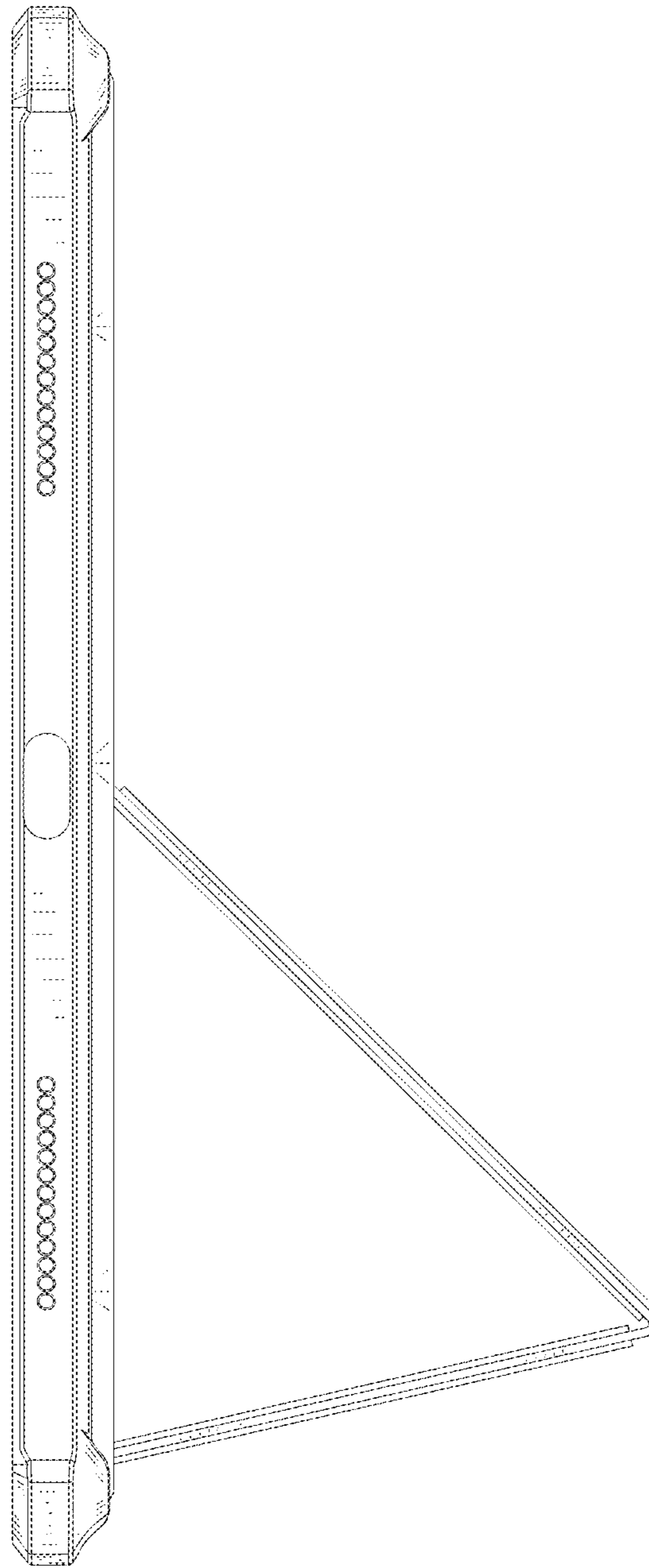


FIG. 7

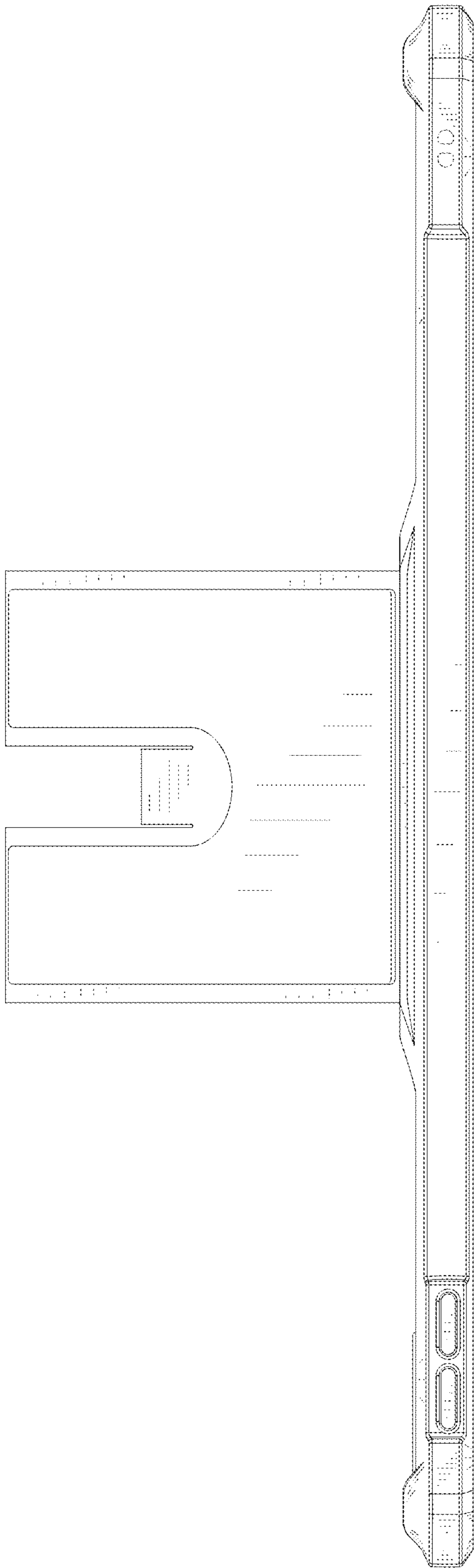


FIG. 8

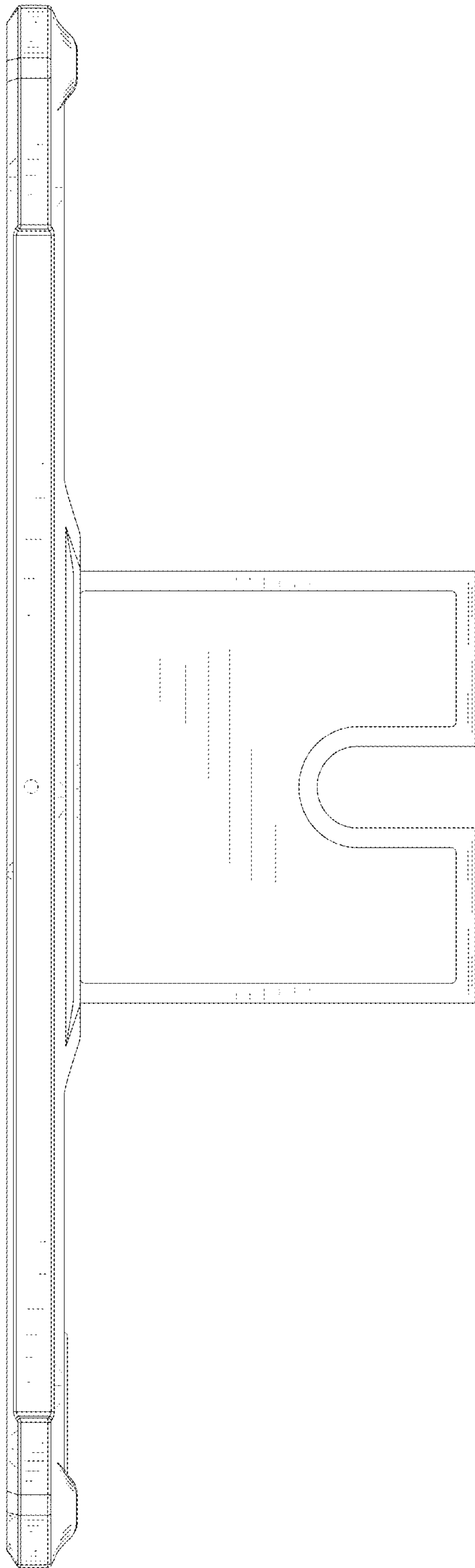


FIG. 9