



US00D960891S

(12) **United States Design Patent**  
**Liu**

(10) **Patent No.:** **US D960,891 S**

(45) **Date of Patent:** **\*\* Aug. 16, 2022**

(54) **USB TYPE-C HUB**

(71) Applicant: **Shenzhen Zestnation Technology Co., Ltd.**, Shenzhen (CN)

(72) Inventor: **Liting Liu**, Ji'an (CN)

(\*\*) Term: **15 Years**

(21) Appl. No.: **29/798,240**

(22) Filed: **Jul. 7, 2021**

(51) **LOC (13) Cl.** ..... **14-02**

(52) **U.S. Cl.**  
USPC ..... **D14/433**

(58) **Field of Classification Search**

USPC ..... D14/240, 242, 356, 358, 363, 365, 367,  
D14/370, 432-437, 439, 498, 125, 366,  
D14/168, 496; D13/147, 164, 123, 133,  
D13/146, 110, 199, 103, 162, 159, 160,  
D13/184; 361/683, 684, 686, 724, 735,  
361/737, 752; D18/40  
CPC .... H01R 25/006; H01R 27/02; H01R 31/005;  
G06F 13/4022; G06F 13/382; G06F  
1/1632; G06F 1/1684; G06F 1/20; G06F  
1/1607

See application file for complete search history.

(56) **References Cited**

U.S. PATENT DOCUMENTS

D864,205 S 10/2019 Wang  
D895,625 S \* 9/2020 Turksu ..... D14/433  
D918,917 S \* 5/2021 Wu ..... D14/433  
D923,626 S \* 6/2021 Zhang ..... D14/433  
D928,158 S \* 8/2021 Liao ..... D14/433  
D928,160 S \* 8/2021 Liao ..... D14/433

D929,998 S \* 9/2021 Liao ..... D14/433  
D933,071 S \* 10/2021 Liu ..... D14/433  
D933,663 S \* 10/2021 Zhang ..... D14/433  
D934,254 S \* 10/2021 Jiang ..... D14/433  
D934,257 S \* 10/2021 Zhang ..... D14/433  
D934,867 S \* 11/2021 Wu ..... D14/433  
D936,657 S \* 11/2021 Zhang ..... D14/433  
D937,271 S \* 11/2021 Lin ..... D14/433

\* cited by examiner

*Primary Examiner* — Austin Murphy

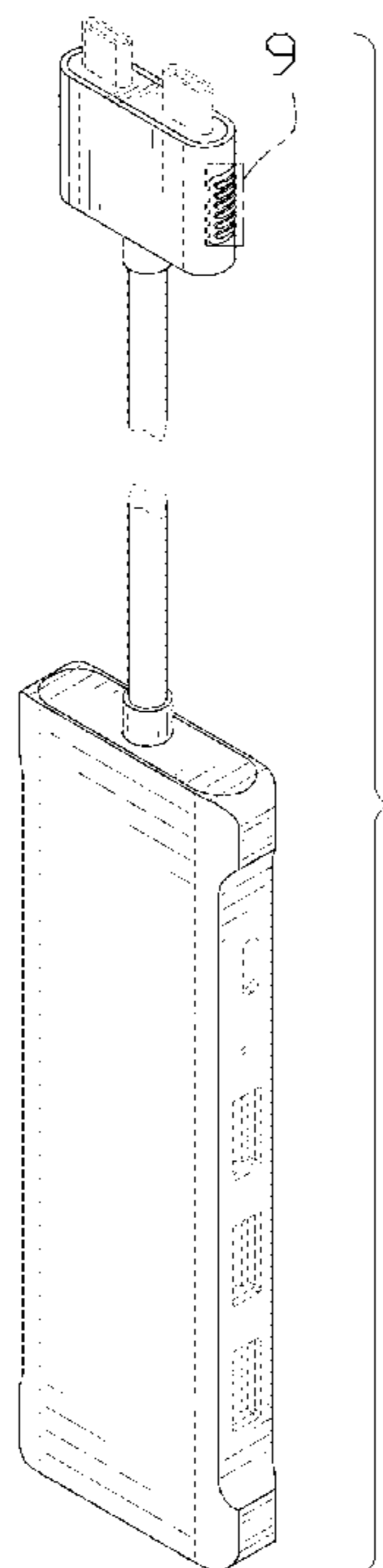
(57) **CLAIM**

The ornamental design for a USB type-C hub, as shown and described.

**DESCRIPTION**

FIG. 1 is a front and top perspective view of a USB type-C hub, showing my new design;  
FIG. 2 is a rear and bottom perspective view thereof;  
FIG. 3 is a front elevation view thereof;  
FIG. 4 is a rear elevation view thereof;  
FIG. 5 is a left side elevation view thereof;  
FIG. 6 is a right side elevation view thereof;  
FIG. 7 is a top plan view thereof;  
FIG. 8 is a bottom plan view thereof; and,  
FIG. 9 is an enlarged view of a portion labeled of a portion indicated with numeric 9 in FIG. 1.  
The broken lines in the figures illustrate portions of the USB type-C hub that form no part of the claimed design. The dash dot dash lines in FIGS. 1 and 9 are for the purpose of depicting the cut line of the enlarged view and form no part of the claim.

**1 Claim, 9 Drawing Sheets**



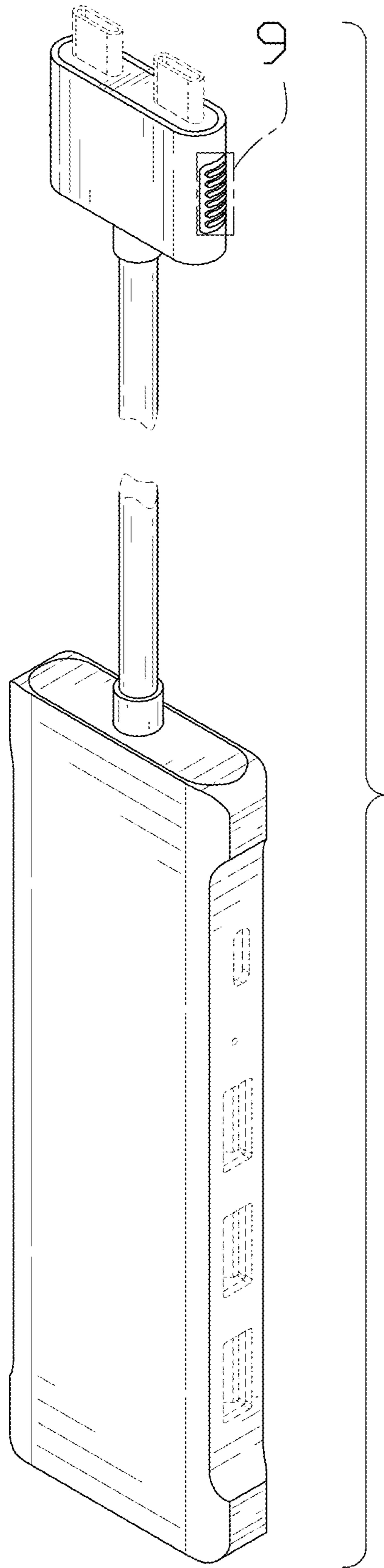


FIG. 1

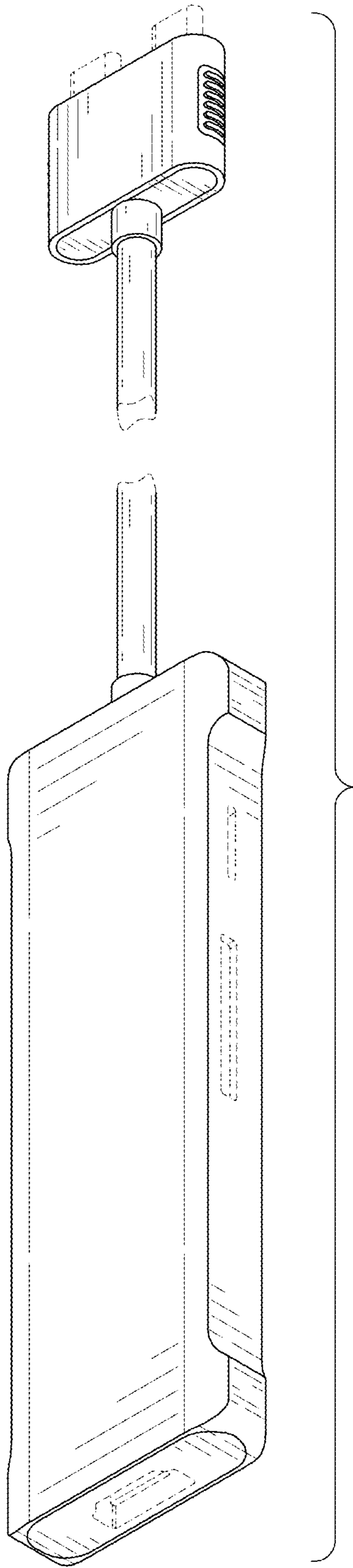


FIG. 2

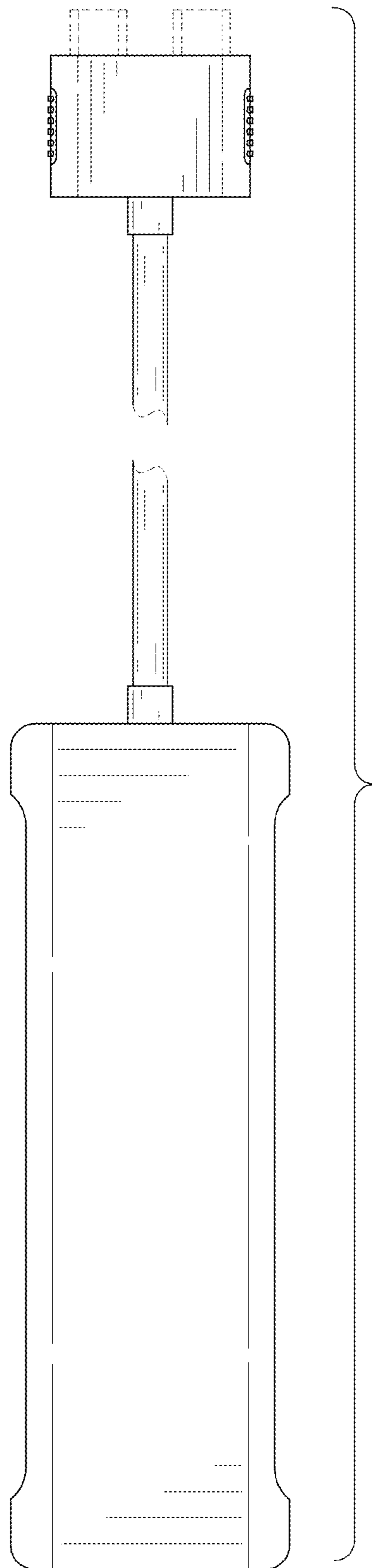


FIG. 3

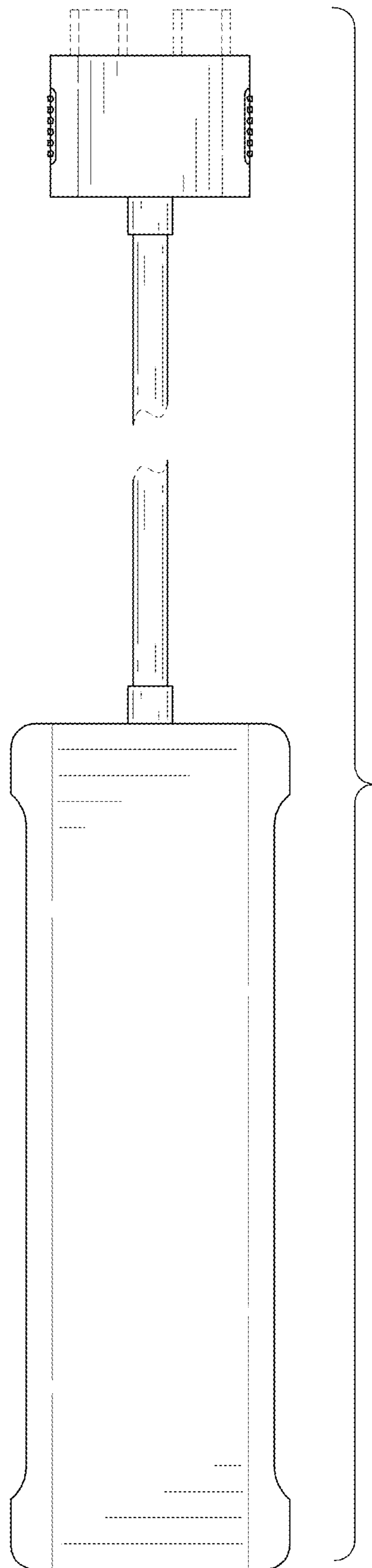


FIG. 4

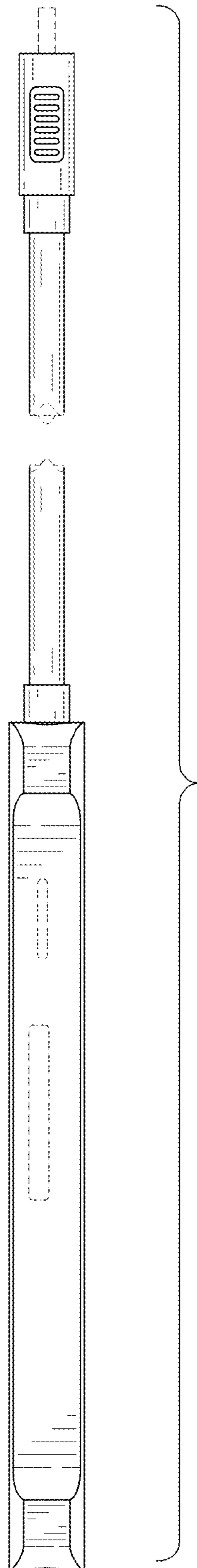


FIG. 5

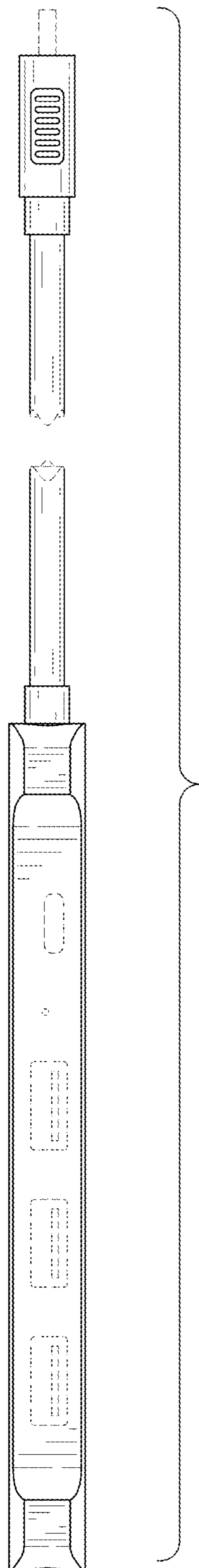


FIG. 6

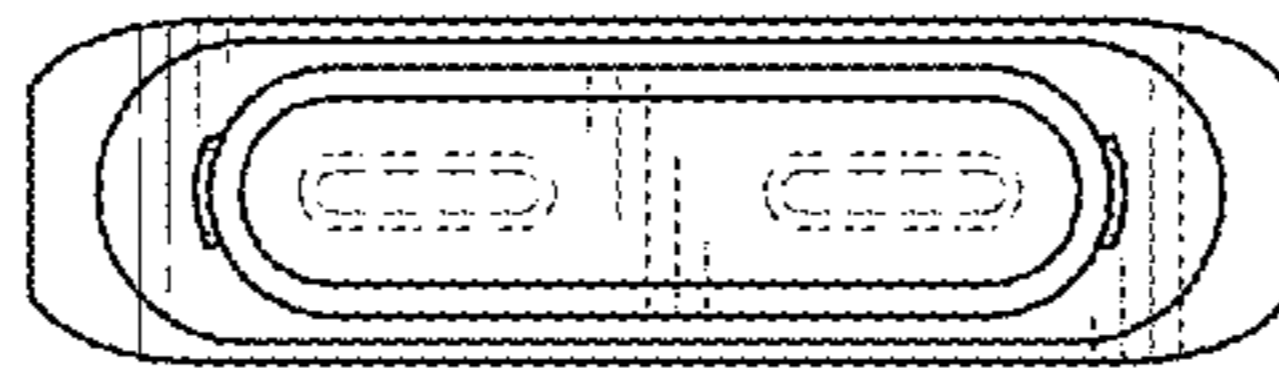


FIG. 7



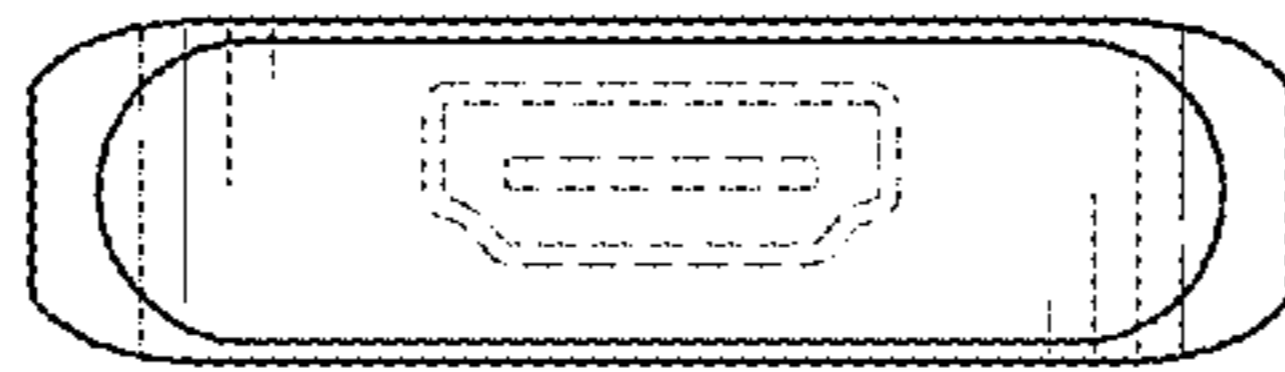


FIG. 8

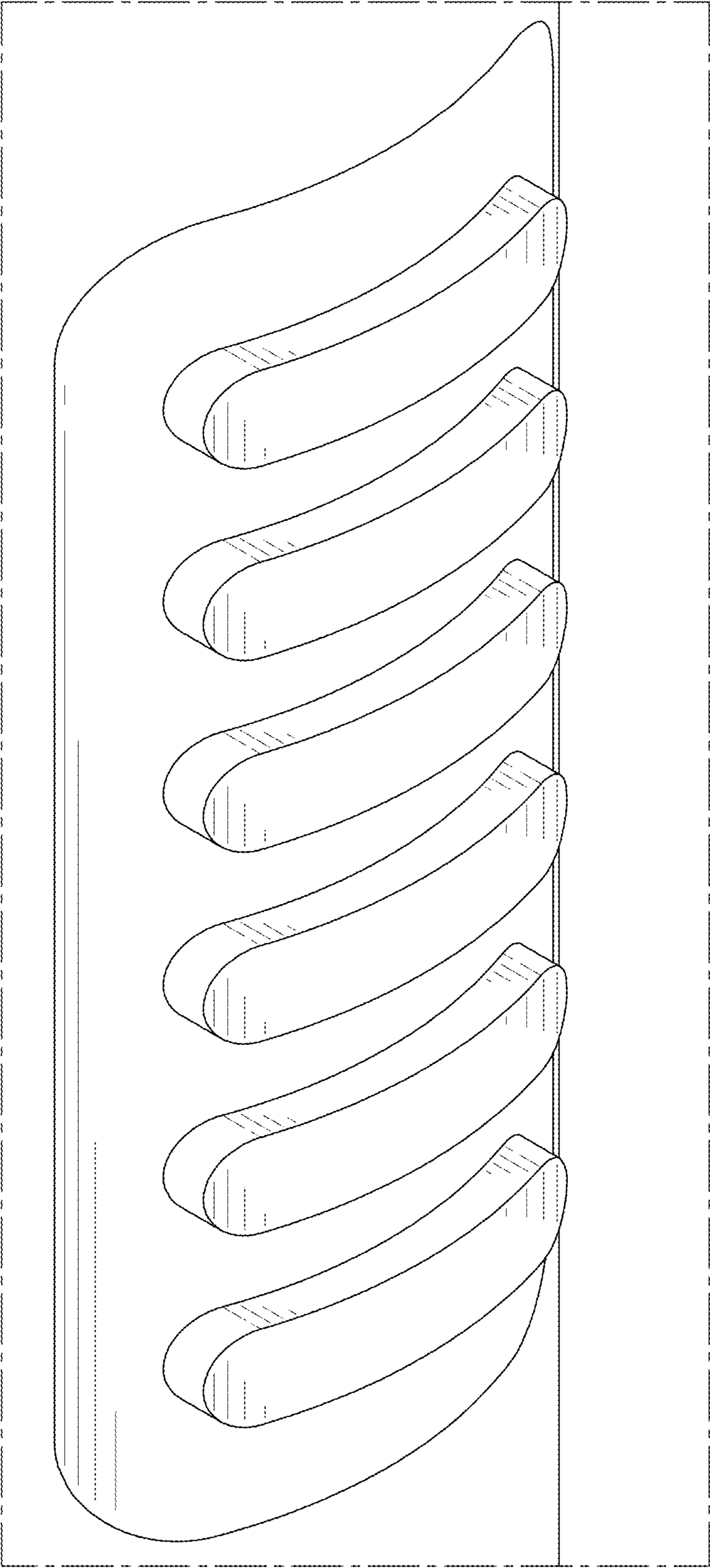


FIG. 9