



US00D960886S

(12) **United States Design Patent** (10) **Patent No.:** **US D960,886 S**  
**Mizoguchi et al.** (45) **Date of Patent:** **\*\* Aug. 16, 2022**

(54) **PORTABLE COMPUTER**

(71) Applicant: **Panasonic Intellectual Property Management Co., Ltd.**, Osaka (JP)  
(72) Inventors: **Atsushi Mizoguchi**, Kanagawa (JP); **Masako Kitayama**, Kanagawa (JP)  
(73) Assignee: **PANASONIC INTELLECTUAL PROPERTY MANAGEMENT CO., LTD.**, Osaka (JP)  
(\*\*) Term: **15 Years**

(21) Appl. No.: **29/736,225**

(22) Filed: **May 28, 2020**

(30) **Foreign Application Priority Data**

Dec. 13, 2019 (JP) ..... 2019-027675

(51) **LOC (13) Cl.** ..... **14-02**

(52) **U.S. Cl.**  
USPC ..... **D14/342**

(58) **Field of Classification Search**  
USPC ..... D14/341, 342, 343, 344, 345, 346, 347;  
D10/50, 65  
CPC .. H04M 1/027; H04M 1/0202; H04M 1/0279;  
H04M 1/0235; H04M 1/0237; H04M  
1/0239; H04M 1/0266; H04M  
(Continued)

(56) **References Cited**

**U.S. PATENT DOCUMENTS**

D397,679 S \* 9/1998 Hawkins ..... D14/342  
6,388,877 B1 \* 5/2002 Canova, Jr. .... G06F 1/1698  
361/679.56

(Continued)

**FOREIGN PATENT DOCUMENTS**

CN 304473083 \* 1/2018  
CN 304572107 \* 4/2018

(Continued)

**OTHER PUBLICATIONS**

Munbyn, first available Jun. 5, 2021 [online], [retrieved Apr. 29, 2022]. Available from the Internet, URL:<https://www.amazon.com/dp/B09CDR6X1C/ref=cm\_sw\_em\_r\_mt\_dp\_MV7D5BT5AGEG13SWNGA9?\_encoding=UTF8&psc=1>. (Year: 2021).\*

(Continued)

*Primary Examiner* — Tracey J Bell

*Assistant Examiner* — Russell Carnell Smith, Jr.

(74) *Attorney, Agent, or Firm* — Crowell & Moring LLP

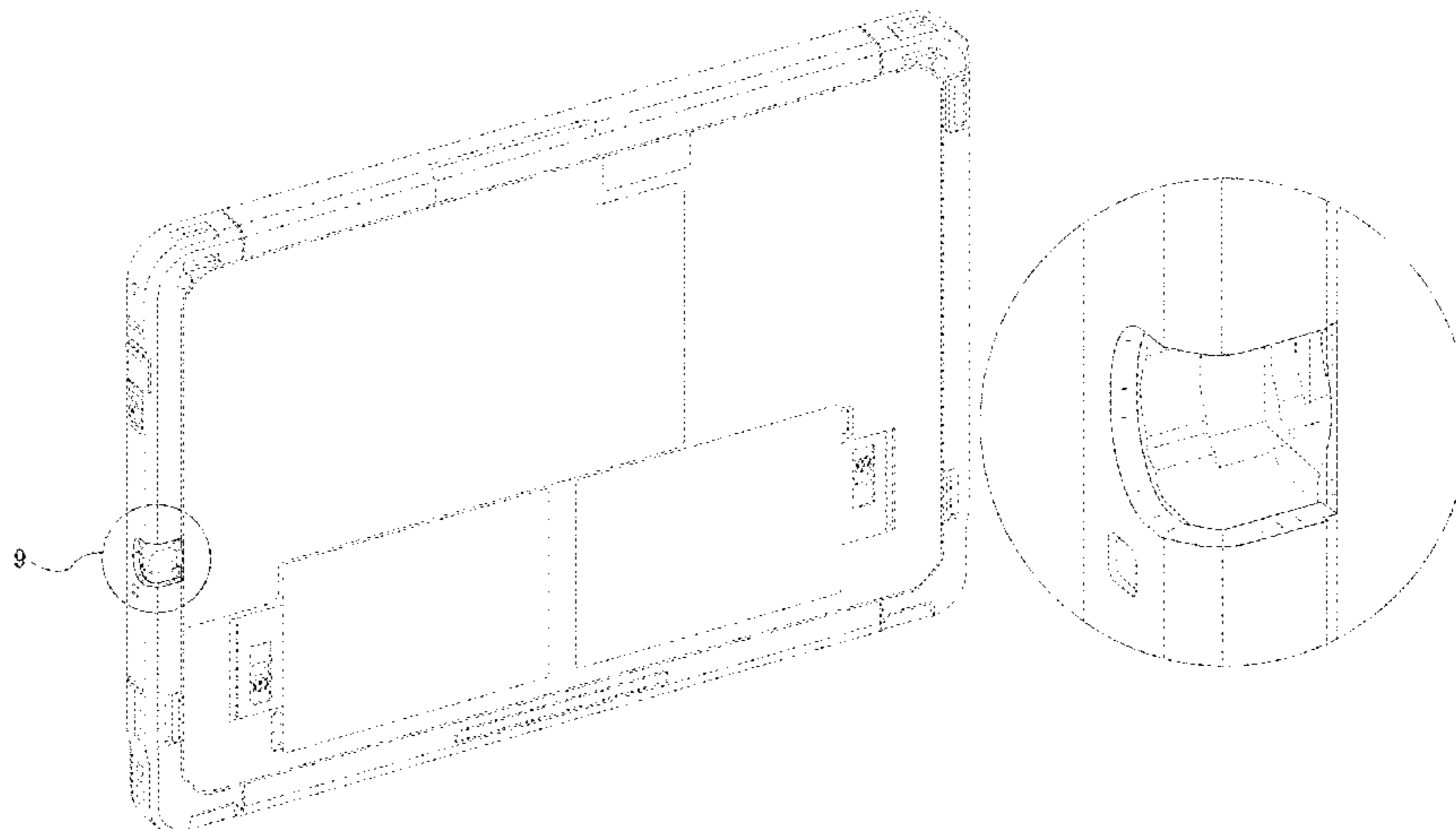
(57) **CLAIM**

We claim the ornamental design for a portable computer, as shown and described.

**DESCRIPTION**

FIG. 1 is a rear perspective view of a portable computer of the invention;  
FIG. 2 is a front view thereof;  
FIG. 3 is a rear view thereof;  
FIG. 4 is a left side view thereof;  
FIG. 5 is a right side view thereof;  
FIG. 6 is a top plan view thereof;  
FIG. 7 is a bottom view thereof;  
FIG. 8 is a rear perspective view thereof in an environmental use;  
FIG. 9 is an enlarged view of the area defined by circle 9 of FIG. 1; and,  
FIG. 10 is an enlarged view of the area defined by circle 10 of FIG. 8.  
The evenly-dashed broken lines depict portions of the portable computer that form no part of the claimed design. The dot-dash broken lines encircling portions of the portable computer in FIGS. 1 and 8 and illustrated in enlarged views in FIGS. 9 and 10 form no part of the claimed design.

**1 Claim, 10 Drawing Sheets**



# US D960,886 S

Page 2

(58) **Field of Classification Search**

CPC .. 1/0268; H04M 1/0295; G06F 1/1641; G06F  
1/1647; G06F 1/1652

See application file for complete search history.

D822,016 S \* 7/2018 Zhong ..... D14/341  
D882,528 S \* 4/2020 Fariello ..... D13/162  
2021/0096596 A1\* 4/2021 Cheng ..... G06F 1/1681

(56)

**References Cited**

U.S. PATENT DOCUMENTS

6,741,472 B1 \* 5/2004 Barth ..... G06F 1/1626  
361/725  
D696,664 S 12/2013 Iida et al.  
D710,351 S \* 8/2014 Park ..... D14/341  
D721,075 S \* 1/2015 Toda ..... D14/342  
D740,804 S \* 10/2015 Hovdal ..... D14/341  
D749,565 S 2/2016 Cho et al.  
D807,349 S 1/2018 Lee  
D808,384 S \* 1/2018 Lee ..... D14/341

FOREIGN PATENT DOCUMENTS

CN 304613335 \* 5/2018  
CN 304635081 \* 5/2018  
CN 304737264 \* 7/2018

OTHER PUBLICATIONS

IBBWB, first available Nov. 5, 2021 [online], [retrieved Apr. 29, 2022]. Available from the Internet, URL:<[https://www.amazon.com/dp/B09L4PVZH4/ref=cm\\_sw\\_em\\_r\\_mt\\_dp\\_8RKKXQR134HH3CBVMQX5?\\_encoding=UTF8&psc=1](https://www.amazon.com/dp/B09L4PVZH4/ref=cm_sw_em_r_mt_dp_8RKKXQR134HH3CBVMQX5?_encoding=UTF8&psc=1)>. (Year: 2021).\*

\* cited by examiner

FIG. 1

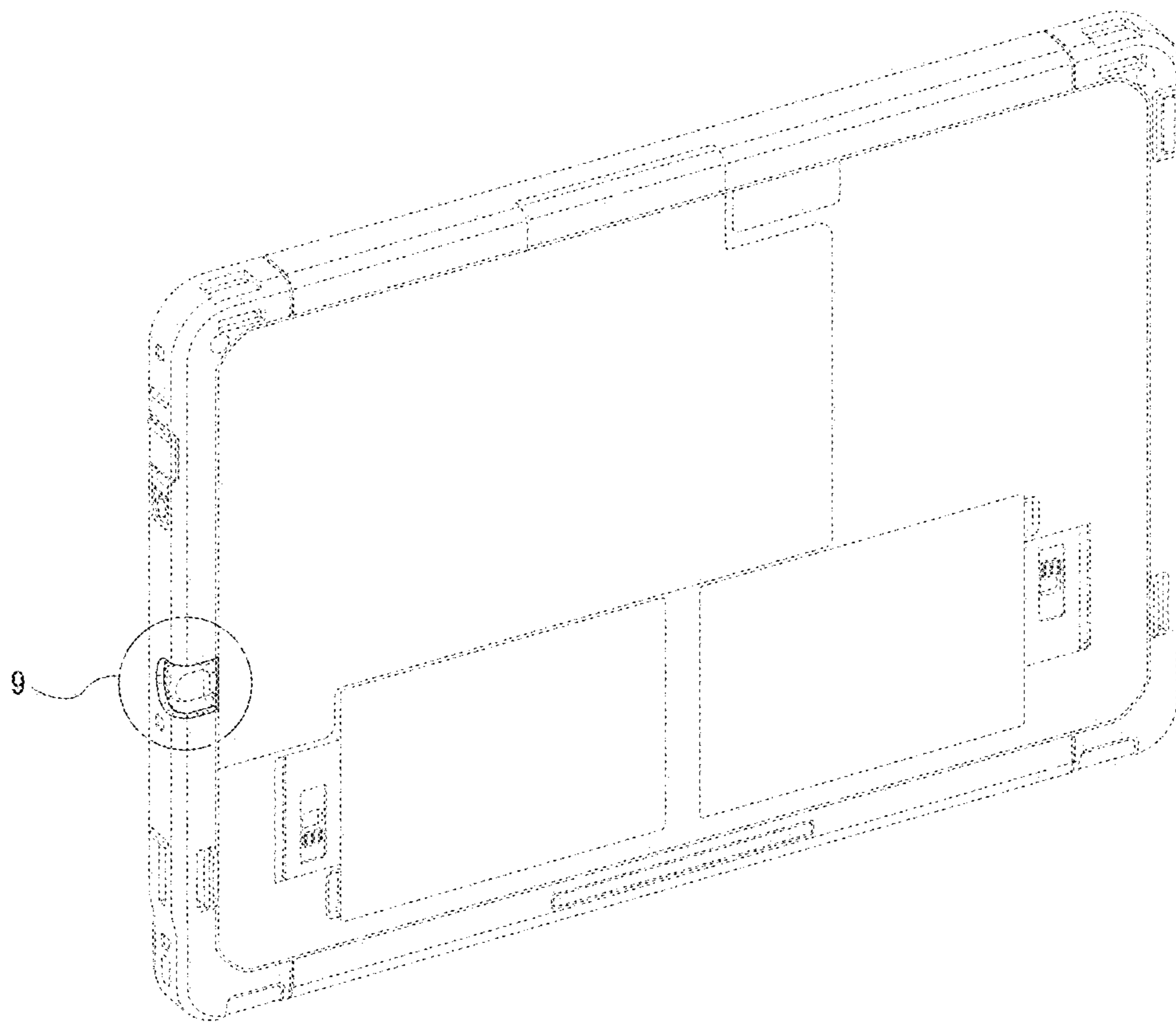


FIG. 2

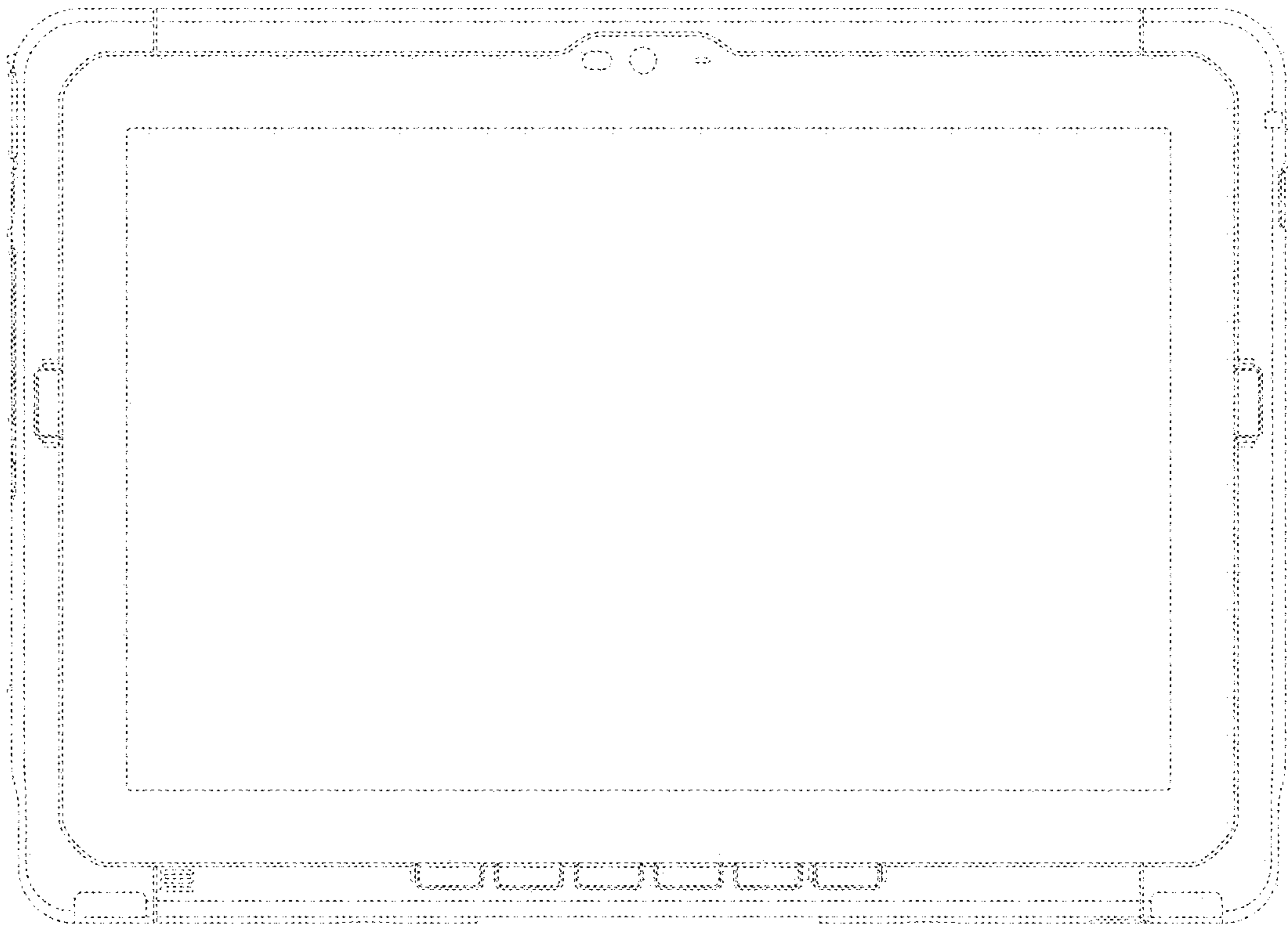


FIG. 3

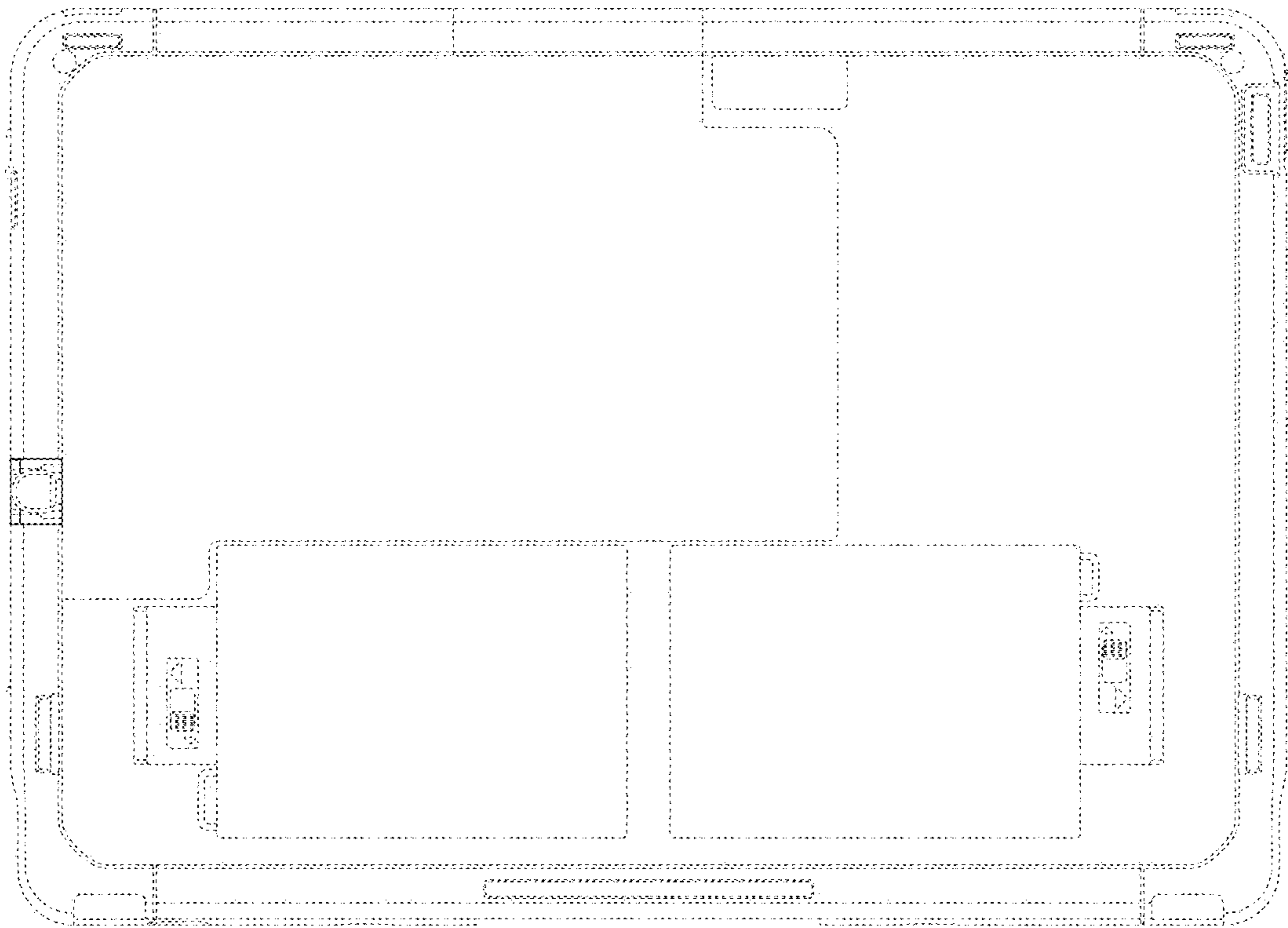


FIG. 4



FIG. 5



FIG. 6

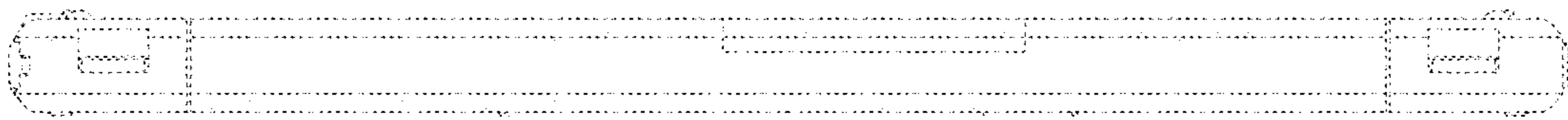




FIG. 7

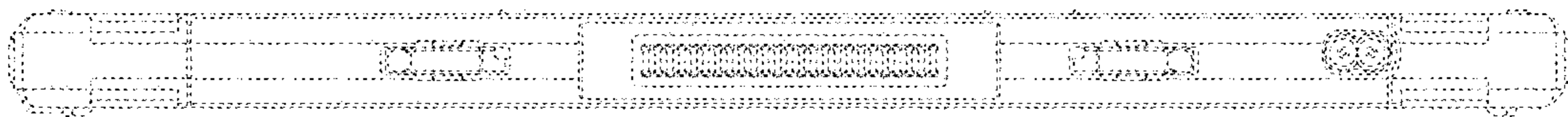


FIG. 8

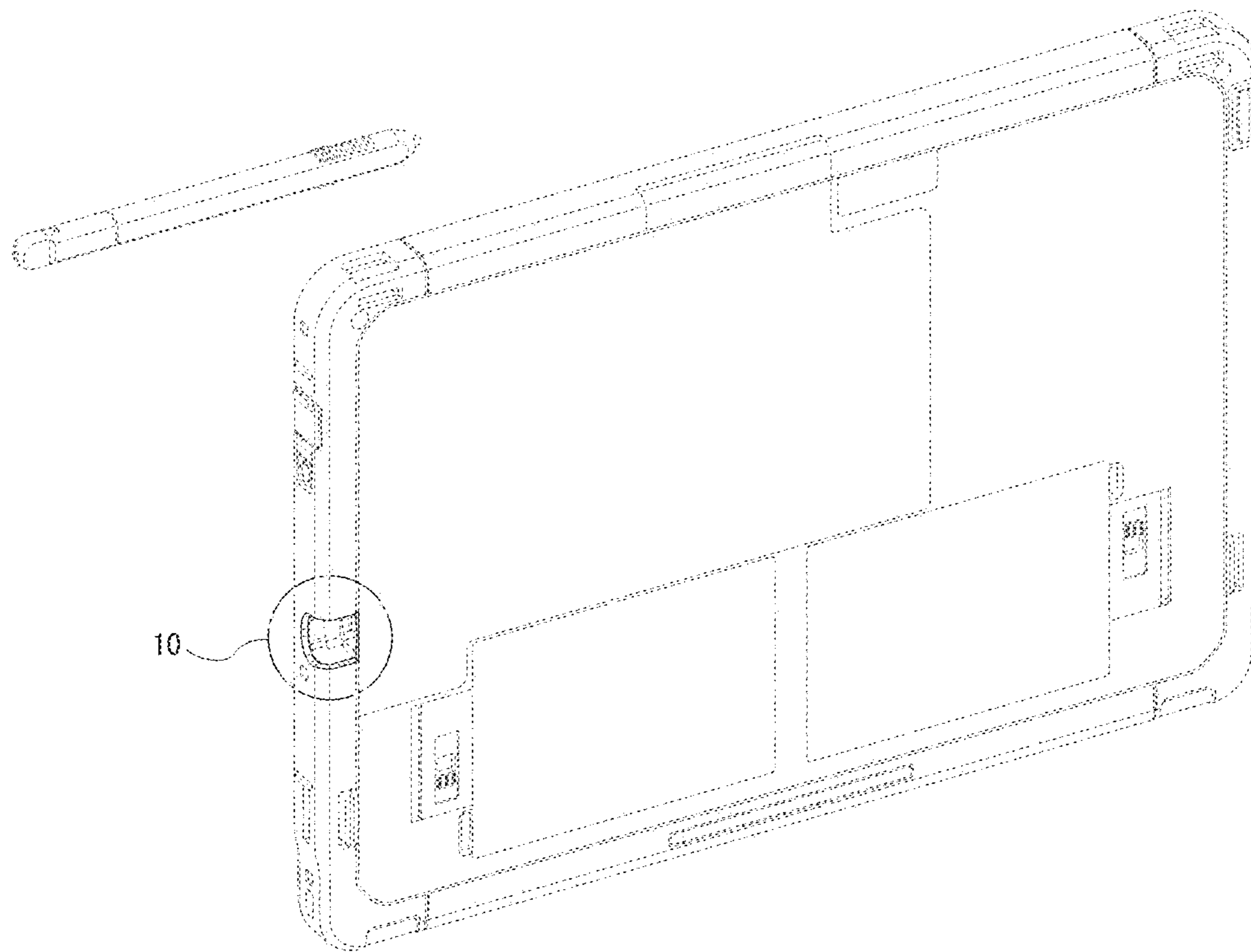


FIG. 9

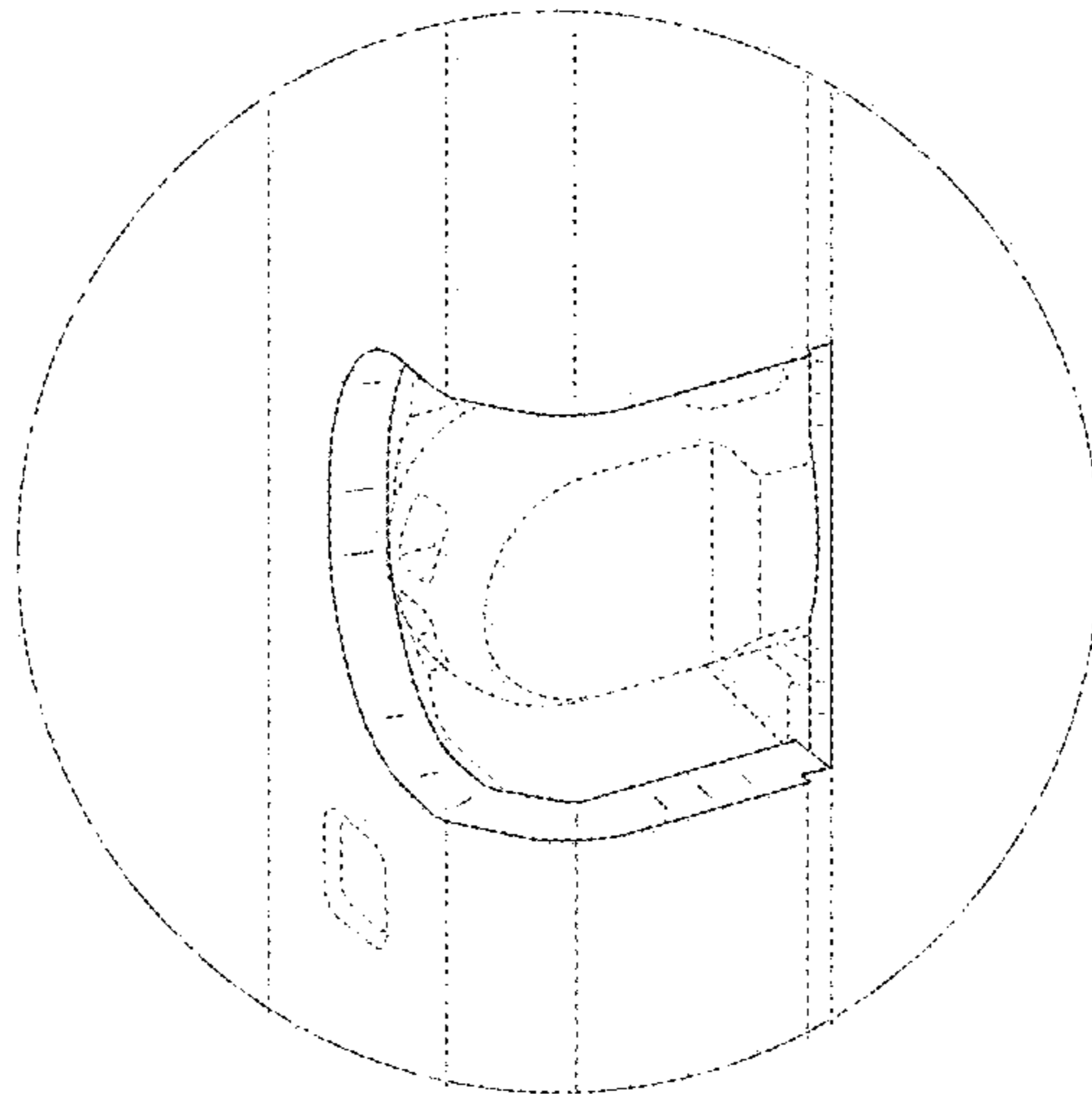


FIG. 10

