



US00D960885S

(12) **United States Design Patent** (10) **Patent No.:** **US D960,885 S**
Akana et al. (45) **Date of Patent:** **** Aug. 16, 2022**

(54) **ELECTRONIC DEVICE**

(71) Applicant: **Apple Inc.**, Cupertino, CA (US)

(72) Inventors: **Jody Akana**, San Francisco, CA (US); **Bartley K. Andre**, Palo Alto, CA (US); **Jeremy Bataillou**, San Francisco, CA (US); **Daniel J. Coster**, San Francisco, CA (US); **Daniele De Iuliis**, San Francisco, CA (US); **M. Evans Hankey**, San Francisco, CA (US); **Julian Hoenig**, San Francisco, CA (US); **Richard P. Howarth**, San Francisco, CA (US); **Jonathan P. Ive**, San Francisco, CA (US); **Duncan Robert Kerr**, San Francisco, CA (US); **Matthew Dean Rohrbach**, San Francisco, CA (US); **Peter Russell-Clarke**, San Francisco, CA (US); **Benjamin Andrew Shaffer**, San Jose, CA (US); **Mikael Silvanto**, San Francisco, CA (US); **Christopher J. Stringer**, Woodside, CA (US); **Eugene Antony Whang**, San Francisco, CA (US); **Rico Zörkendörfer**, San Francisco, CA (US)

(73) Assignee: **Apple Inc.**, Cupertino, CA (US)

(**) Term: **15 Years**

(21) Appl. No.: **29/664,211**

(22) Filed: **Sep. 24, 2018**

Related U.S. Application Data

(63) Continuation of application No. 29/612,240, filed on Jul. 31, 2017, now Pat. No. Des. 832,249, which is a continuation of application No. 29/560,682, filed on Apr. 8, 2016, now Pat. No. Des. 797,096, which is a continuation of application No. 29/533,841, filed on Jul. 22, 2015, now Pat. No. Des. 772,861.

(51) **LOC (13) Cl.** **14-02**

(52) **U.S. Cl.**
USPC **D14/327**

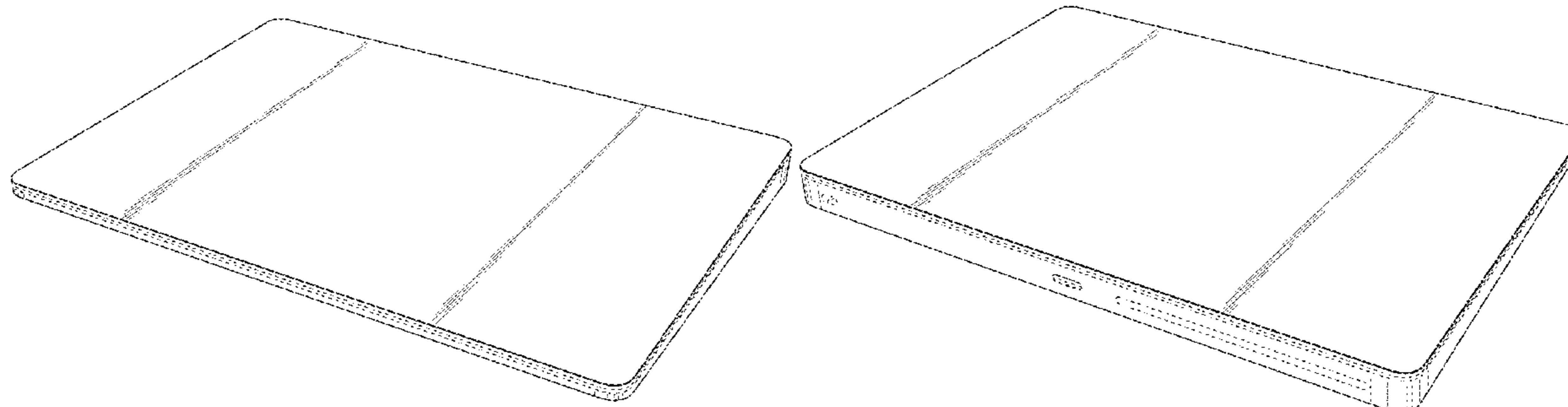
(58) **Field of Classification Search**
USPC D14/315–327, 331, 334–336, 339–340, D14/371, 373–374; D18/1–2, 7, 11, D18/12.2–12.3
CPC G06F 1/1618; G06F 1/166; G06F 1/1613; G06F 1/1616; G06F 1/162; G06F 1/1622; G06F 1/1624; G06F 1/1633; G06F 1/1615; G06F 1/1643; G06F 1/1654; G06F 1/1656; G06F 1/1669; G06F 1/203; G06F 1/1688; G06F 1/1601; G06F 1/1637; G06F 1/181; H05K 5/0047; H05K 5/0052

See application file for complete search history.

(56) **References Cited**

U.S. PATENT DOCUMENTS

D293,467 S	12/1987	Elkerbout	
D303,111 S	8/1989	Paley	
D310,209 S	8/1990	Kasprzcvcki	
D316,549 S	4/1991	Hampf	
D334,398 S	3/1993	Conard	
D335,660 S	5/1993	Busch	
D338,452 S	8/1993	Allgeier	
D344,724 S	3/1994	Pangburn	
D346,161 S	4/1994	Oh et al.	
D348,875 S	7/1994	Wang	
5,439,304 A	8/1995	Phillips et al.	
5,717,430 A	2/1998	Copland et al.	
5,754,395 A *	5/1998	Hsu	G06F 1/1616 361/679.11
5,818,360 A *	10/1998	Chu	G06F 1/1616 341/22
D420,997 S	2/2000	Jordan	
D430,875 S	9/2000	Beecroft	
D436,951 S	1/2001	Andresen	
D445,793 S	7/2001	Ji	
D446,520 S	8/2001	Ji	
D447,136 S	8/2001	Groves et al.	
D454,566 S	3/2002	Andre et al.	
D485,271 S	1/2004	Kamegi	
D490,812 S	6/2004	Andre et al.	
D501,472 S	2/2005	Kumano	
D501,660 S	2/2005	Kumano	
D514,098 S	1/2006	Huang et al.	
D518,053 S	3/2006	Chen	
D526,319 S	8/2006	Ohno	



D529,910 S 10/2006 Ota
 7,167,158 B2 1/2007 Silverbrook
 D543,544 S 5/2007 Cheng
 D556,758 S 12/2007 Nguyen et al.
 D558,753 S 1/2008 Andre et al.
 D572,246 S 7/2008 Andre et al.
 D574,378 S 8/2008 Andre et al.
 D579,450 S 10/2008 Ozolins et al.
 D580,433 S 11/2008 Chiang et al.
 D588,126 S 3/2009 Chiang et al.
 7,548,220 B2 6/2009 Siiverbrook
 7,567,221 B2 7/2009 Silverbrook
 D598,442 S * 8/2009 Wang D14/327
 D598,451 S 8/2009 Andre et al.
 D600,240 S * 9/2009 Solomon D14/315
 D600,687 S * 9/2009 Smith D14/315
 D600,688 S 9/2009 Andre et al.
 D603,861 S 11/2009 Hong et al.
 D604,289 S 11/2009 Andre et al.
 D604,294 S 11/2009 Andre et al.
 D604,300 S 11/2009 Andre et al.
 D604,736 S 11/2009 Andre et al.
 D606,068 S 12/2009 Hong et al.
 D606,534 S 12/2009 Hong et al.
 D607,450 S 1/2010 Morishita et al.
 D611,469 S 3/2010 Andre et al.
 D612,843 S 3/2010 Andre et al.
 D612,844 S 3/2010 Andre et al.
 D613,284 S 4/2010 Solomon et al.
 D616,880 S 6/2010 Andre et al.
 D616,881 S 6/2010 Andre et al.
 D616,886 S 6/2010 Andre et al.
 D621,402 S 8/2010 Andre et al.
 D625,310 S 10/2010 Andre et al.
 D625,717 S 10/2010 Andre et al.
 D629,797 S * 12/2010 Chu D14/327
 D631,879 S * 2/2011 Kawase D14/327
 D633,093 S 2/2011 Andre et al.
 D633,498 S 3/2011 Andre et al.
 D635,566 S 4/2011 Andre et al.
 D640,695 S 6/2011 Andre et al.
 D641,021 S 7/2011 Andre et al.
 D642,172 S 7/2011 Akana et al.
 D642,560 S 8/2011 Akana et al.
 D649,549 S 11/2011 Andre et al.
 D651,206 S 12/2011 Kim et al.
 D652,032 S 1/2012 Akana et al.
 D655,704 S 3/2012 Akana et al.
 D661,296 S 6/2012 Akana et al.
 D662,497 S 6/2012 Akana et al.
 D662,935 S 7/2012 Andre et al.
 D664,144 S 7/2012 Akana et al.
 D664,537 S 7/2012 Hu et al.
 D667,404 S 9/2012 Akana et al.
 D681,031 S 4/2013 Lee et al.
 D685,784 S 7/2013 Ma
 D687,030 S 7/2013 Andre et al.
 D687,031 S 7/2013 Chen et al.
 D691,129 S 10/2013 Akana et al.
 D695,291 S 12/2013 Andre et al.
 D696,244 S 12/2013 Akana et al.
 D696,659 S 12/2013 Chen et al.
 D696,660 S 12/2013 Chen et al.
 D696,661 S 12/2013 Chen et al.
 D706,772 S 6/2014 Koyama et al.
 D708,179 S 7/2014 Andre et al.
 D724,597 S * 3/2015 Akana D14/447
 D729,227 S 5/2015 Fukuoka
 D741,851 S 10/2015 Kim et al.
 D772,861 S 11/2016 Akana et al.
 D772,885 S 11/2016 Akana et al.
 D772,886 S 11/2016 Akana et al.
 D773,474 S 12/2016 Akana et al.
 D797,096 S * 9/2017 Akana D14/315
 D820,829 S * 6/2018 Wang D14/318
 D832,249 S * 10/2018 Akana D14/315
 D888,707 S * 6/2020 Wolff D14/315
 D888,721 S * 6/2020 Akana D14/455
 D890,166 S * 7/2020 Jung D14/315

D900,090 S * 10/2020 Xiao D14/318
 D909,366 S * 2/2021 Lee D14/315
 D912,659 S * 3/2021 Cheng D14/315
 D915,393 S * 4/2021 Lee D14/316
 11,023,016 B2 * 6/2021 Kim G06F 3/0221
 D926,751 S * 8/2021 Collins D14/320
 2012/0099264 A1 4/2012 Degner et al.
 2013/0321288 A1 * 12/2013 Adamson G06F 3/0416
 345/173
 2018/0314304 A1 * 11/2018 Degner F16B 35/06

FOREIGN PATENT DOCUMENTS

JP 2013012192 A * 1/2013 G06F 1/1632

OTHER PUBLICATIONS

Mingis, Ken, 11.6-in. MacBook Air: Don't Call It a Netbook, posted at Computerworld, posting date Oct. 28, 2010. Site visited Aug. 20, 2020. URL: <https://www.pcworld.com/article/209107/11_6_in_macbook_air_dont_call_it_a_netbook.html?page=2> (Year: 2010).*

Schiesser, Tim, Dell XPS 13 (2015) Review, posted at TechSpot, posting date Feb. 23, 2015. Site visited Aug. 20, 2020. URL: <<https://www.techspot.com/review/963-dell-xps-13/>> (Year: 2015).*

Short Slope Console, posted at Hammond Manufacturing, posting date Feb. 20, 2010. Site visited Aug. 20, 2020. URL: <<https://web.archive.org/web/20100220101657/http://www.hammondmfg.com/dwg6pslp.htm>> (Year: 2010).*

Bang & Olufsen BeoPlay A3 iPad Dock, posted at DJ Storm's Blog, posting date May 19, 2012. Site visited Aug. 20, 2020. URL: <<https://djstormsblog.com/tag/ipad-case/>> (Year: 2012).*

Freytag, Christoph, Review MSI A6400 Ci507 S Notebook, posted at NotebookCheck, posting date Jul. 19, 2011. Site visited Aug. 20, 2020. URL: <<https://www.notebookcheck.net/Review-MSI-A6400-Ci507-S-Notebook.55824.0.html>> (Year: 2011).*

Sorrel, Charlie, Tilt, A Wedge-Shaped Multitool for the MacBook Pro, posted at WIRED, posting date Oct. 24, 2011. Site visited Aug. 20, 2020. URL: <<https://www.wired.com/2011/10/tilt-a-wedge-shaped-multitool-for-the-macbook-pro/>> (Year: 2011).*

Sony Vaio X505, available at least as early as May 8, 2005.

Sony X505 Keyboard, available at least as early as May 8, 2005.

Sony VAIO PCG-4G1L, available at least as early as May 8, 2006.

Olidata Altro, available at least as early as Jun. 1, 2009.

Olidata Altro, <http://notebookitalia.it/olidata-altro-italian-style-notebook-culv-5674.html>, published Mar. 3, 2009.

Rudi, 13-inch MacBook Air has a modern interior, Nov. 2, 2011, prohardver, 2pgs.

Logitech Touchpad T650, <<http://www.cnet.com/products/logitech-wireless-rechargeable-touchpad-t650/>>, available Dec. 17, 2012.

Logitech—T650 Rechargeable Wireless USB Touchpad—Dark Gray, <<http://www.bestbuy.com/site/logitech-t650-rechargeable-wireless-usb-touchpad-dark-gray/6640676.p?skuId=6640676>>, available at least as early as Dec. 26, 2016.

U.S. Appl. No. 29/361,525 to Jody Akana et al., titled "Electronic Device", filed May 12, 2010 (unpublished).

U.S. Appl. No. 29/476,137 to Jody Akana et al., titled "Electronic Device", filed Dec. 11, 2013 (unpublished).

* cited by examiner

Primary Examiner — Kathleen L Jones
 (74) Attorney, Agent, or Firm — Saidman DesignLaw Group, LLC

(57) CLAIM

The ornamental design for an electronic device, as shown and described.

DESCRIPTION

FIG. 1 is a top front perspective view of an electronic device showing our new design;

FIG. 2 is a top rear perspective view thereof;
FIG. 3 is a bottom rear perspective view thereof;
FIG. 4 is a bottom front perspective view thereof;
FIG. 5 is a front view thereof;
FIG. 6 is a rear view thereof;
FIG. 7 is a left side view thereof;
FIG. 8 is a right side view thereof;
FIG. 9 is a top view thereof; and,
FIG. 10 is a bottom view thereof.
The broken lines illustrate structure or features which form
no part of the claimed design.

1 Claim, 4 Drawing Sheets

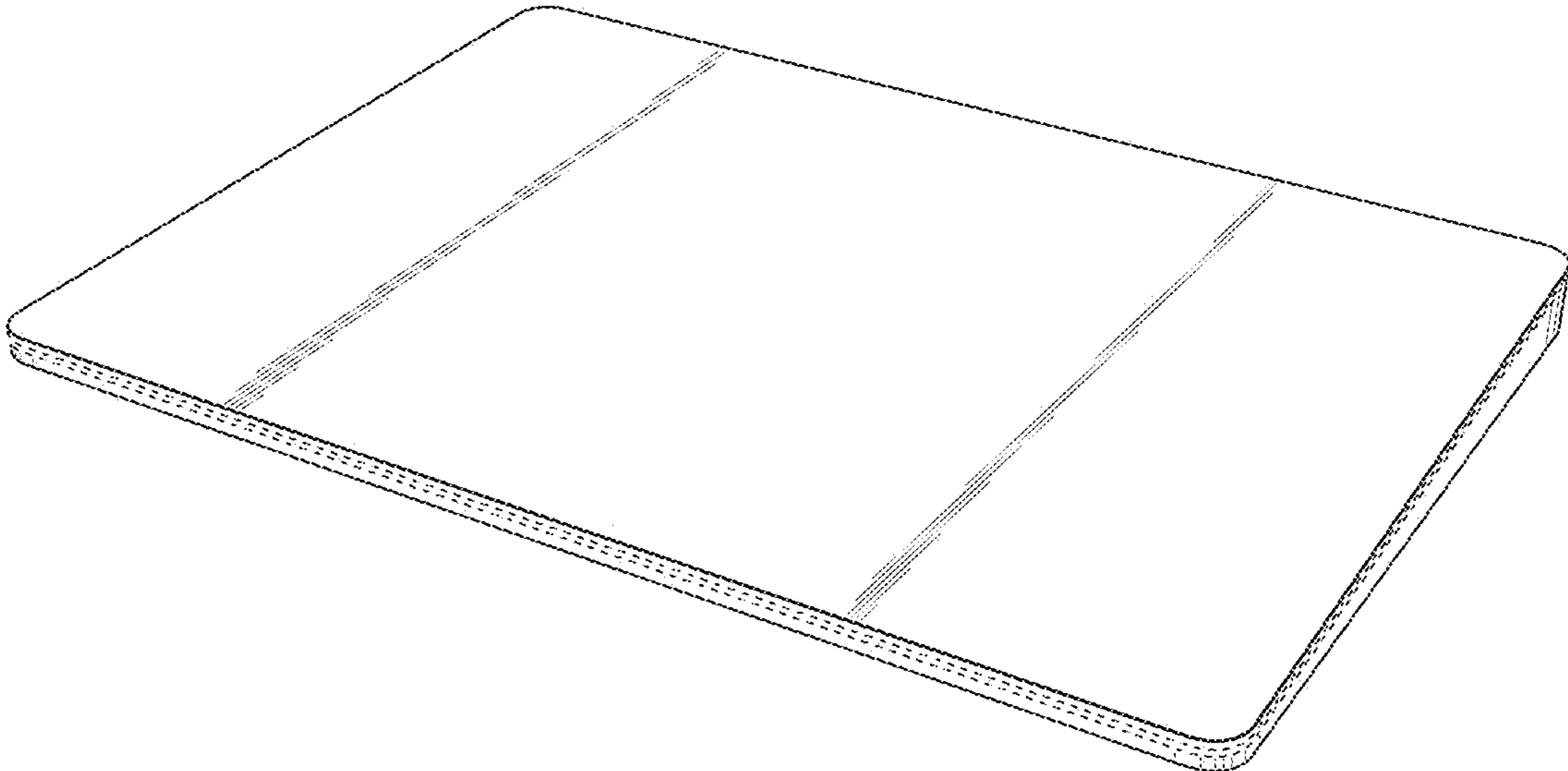


Fig. 1

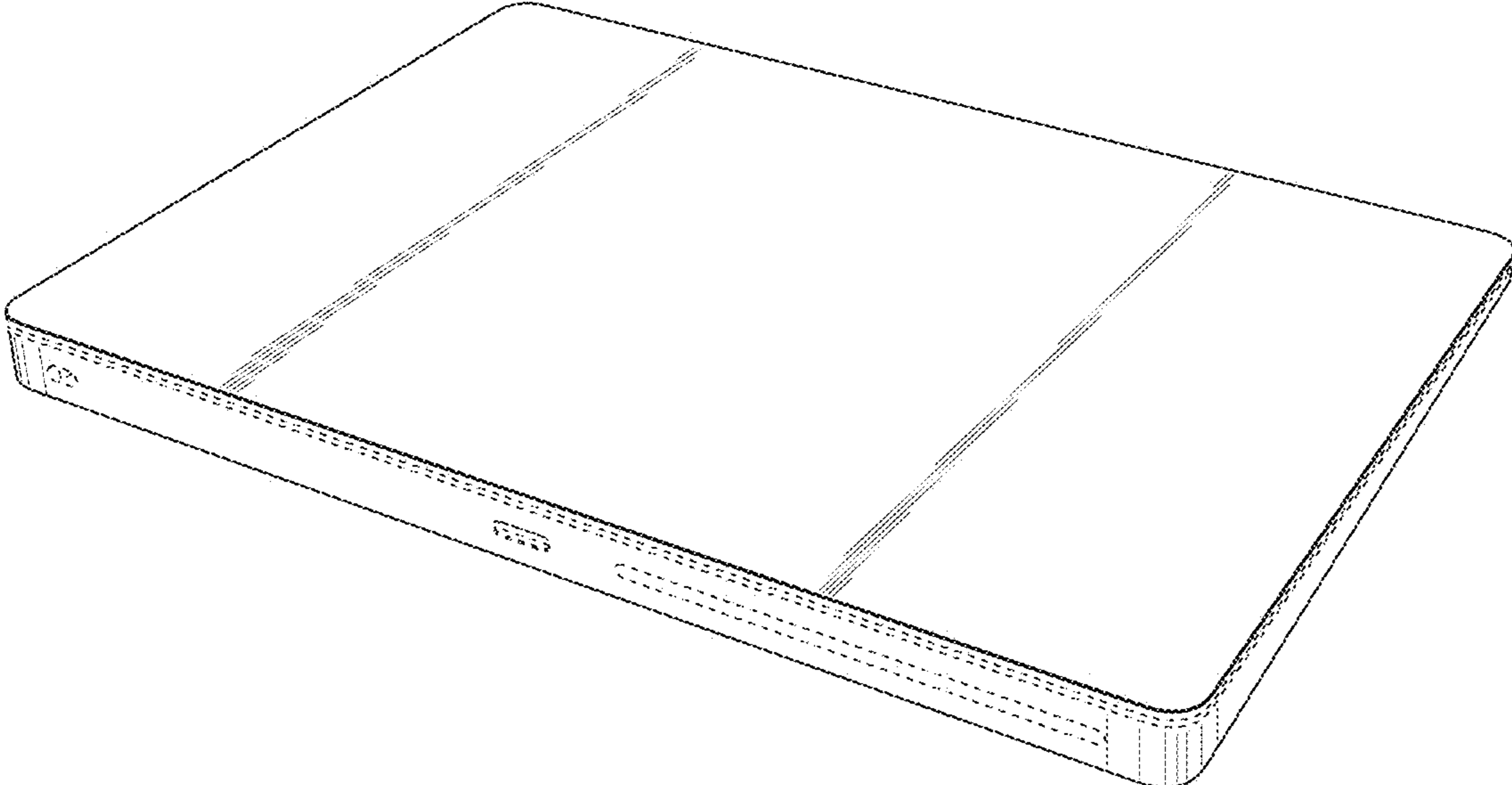


Fig. 2

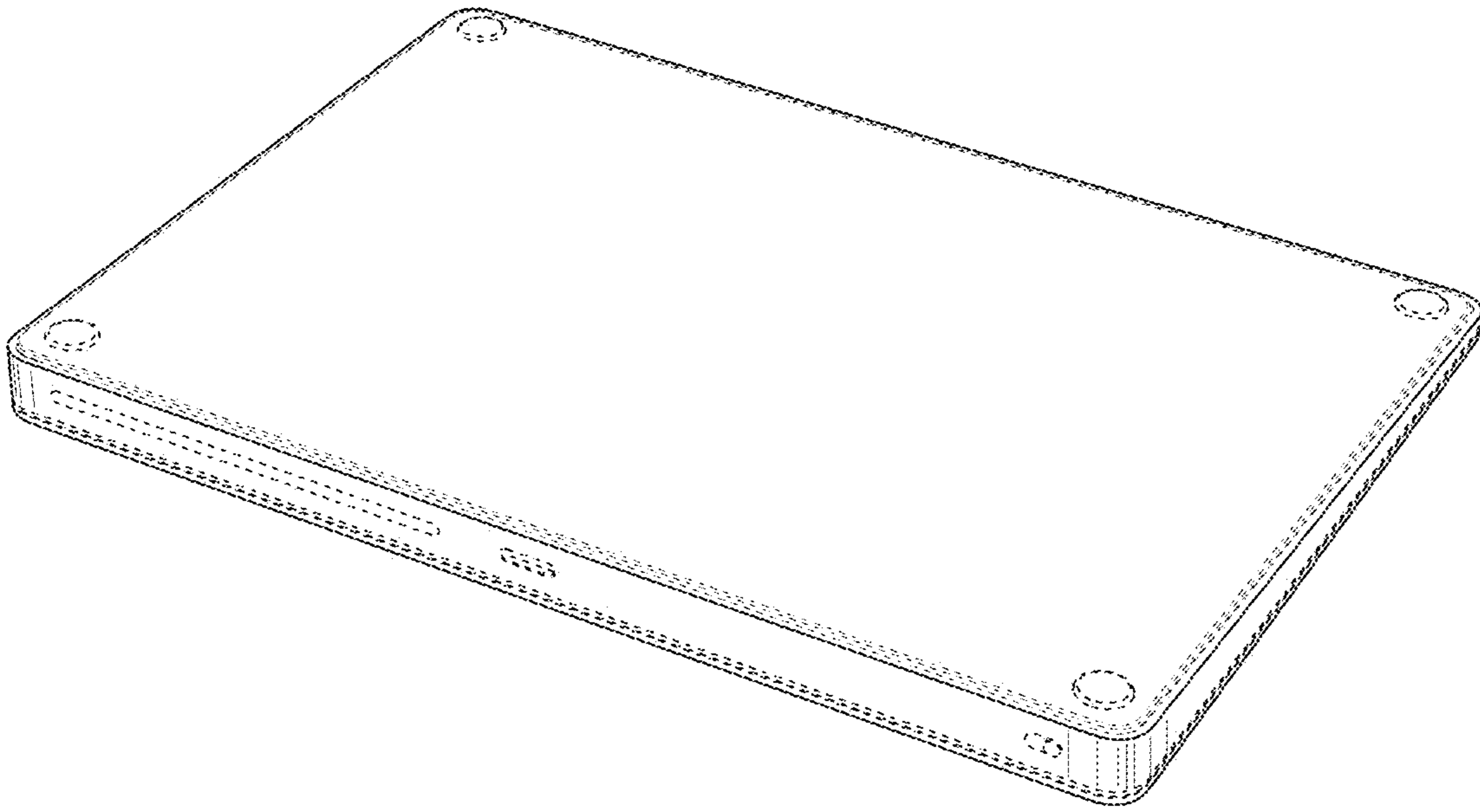


Fig. 3

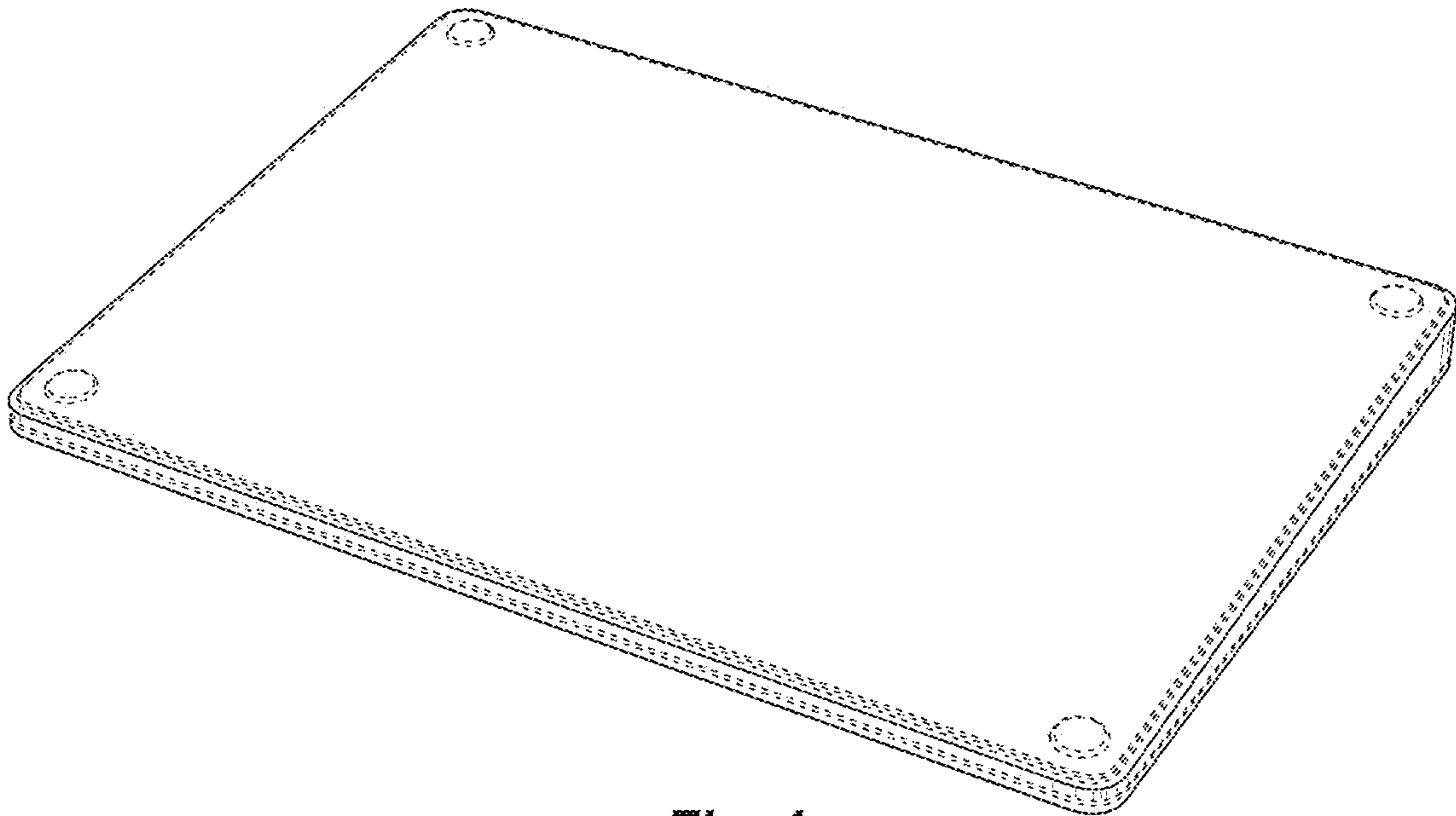


Fig. 4

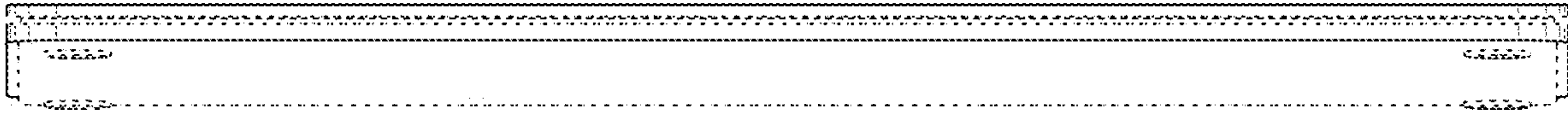


Fig. 5

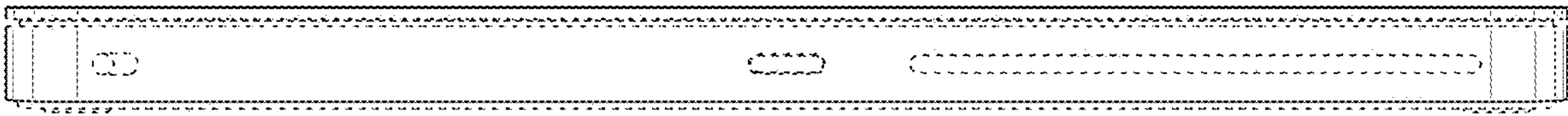


Fig. 6

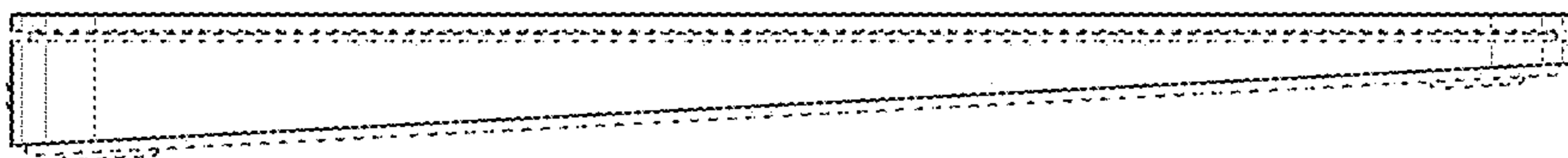


Fig. 7

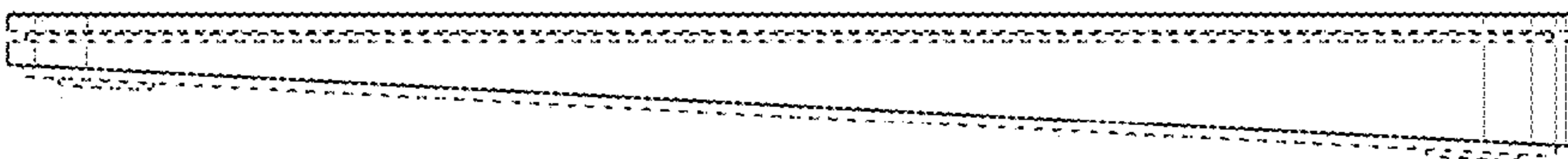


Fig. 8

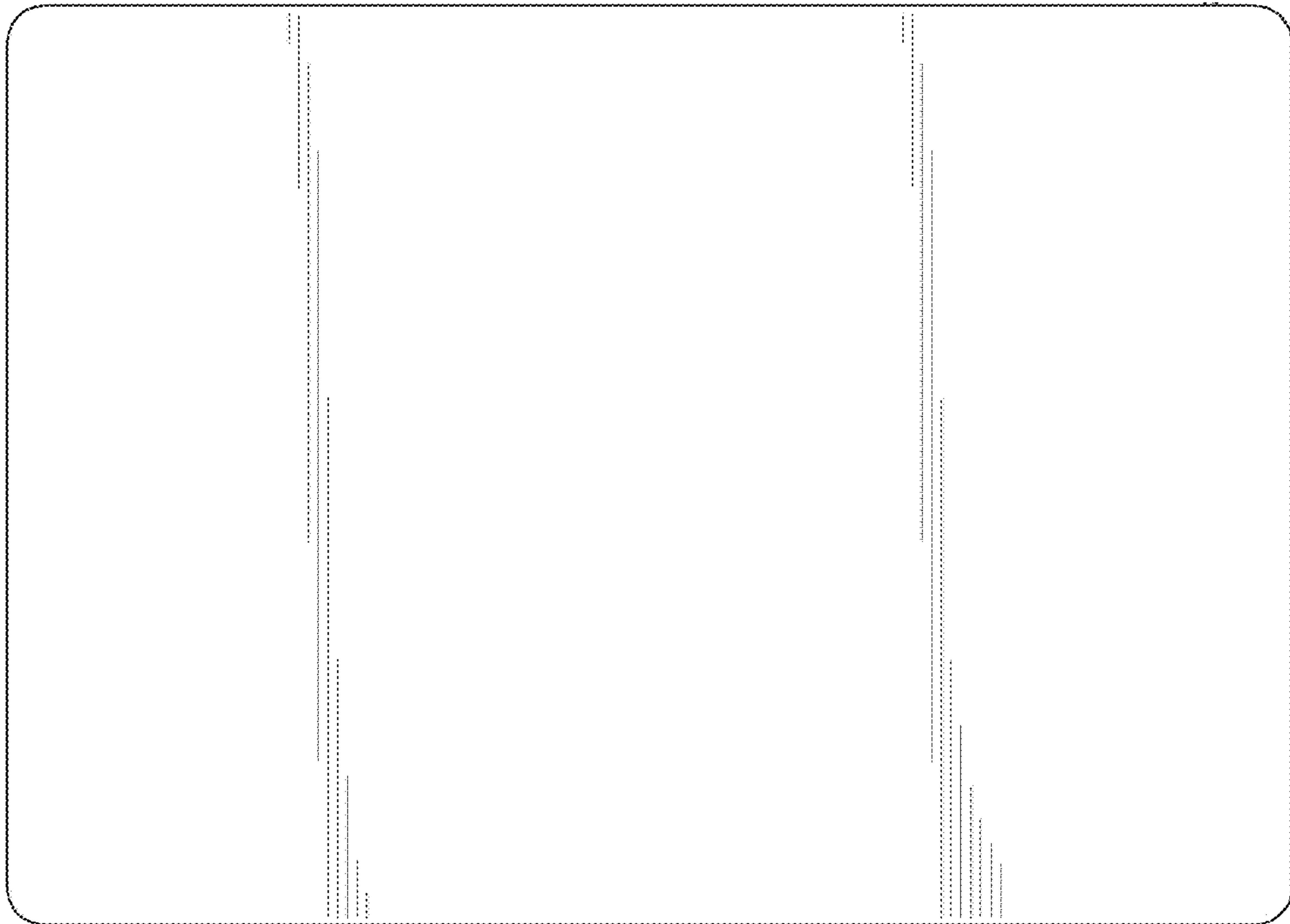


Fig. 9



Fig. 10

UNITED STATES PATENT AND TRADEMARK OFFICE
CERTIFICATE OF CORRECTION

PATENT NO. : D960,885 S
APPLICATION NO. : 29/664211
DATED : August 16, 2022
INVENTOR(S) : Jody Akana et al.

Page 1 of 1

It is certified that error appears in the above-identified patent and that said Letters Patent is hereby corrected as shown below:

On the Title Page

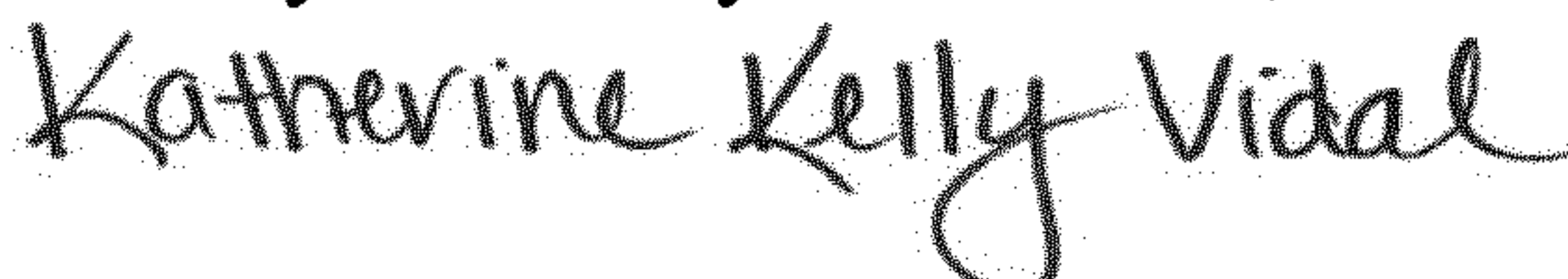
Item (56) References Cited
U.S. Patent Documents

Column 2 Line 3:
-Kasprzvcki-
Should read:
--Kasprzycki--

Page 2 Column 1 Line 11:
-Siiverbrook-
Should read:
--Silverbrook--

Item (56) References Cited
OTHER PUBLICATIONS

Page 2 Column 2 Line 37:
-Jodv-
Should read:
--Jody--

Signed and Sealed this
Twenty-fifth Day of October, 2022


Katherine Kelly Vidal
Director of the United States Patent and Trademark Office