



US00D960883S

(12) **United States Design Patent**
Li

(10) **Patent No.:** **US D960,883 S**

(45) **Date of Patent:** **** Aug. 16, 2022**

(54) **MOBILE PHONE HOLDER**

(71) Applicant: **Yongkang Jiahua Industry And Trade Co., Ltd., Zhejiang (CN)**

(72) Inventor: **Bo Li, Zhejiang (CN)**

(73) Assignee: **Yongkang Jiahua Industry And Trade Co., Ltd., Zhejiang (CN)**

(**) Term: **15 Years**

(21) Appl. No.: **29/828,752**

(22) Filed: **Feb. 28, 2022**

(51) **LOC (13) Cl.** **14-03**

(52) **U.S. Cl.**
USPC **D14/253**

(58) **Field of Classification Search**
USPC D14/250, 251–253, 447; D3/218;
D12/415
CPC H04M 1/04; A45C 2011/002; A45C
2011/003
See application file for complete search history.

(56) **References Cited**

U.S. PATENT DOCUMENTS

D614,613 S * 4/2010 Kim D14/253
D626,541 S * 11/2010 Kim D14/253

D713,398 S 9/2014 Alesi
D724,072 S * 3/2015 Jiang D14/447
D852,116 S 6/2019 Jun
D934,234 S * 10/2021 Deng D14/447
D940,124 S * 1/2022 Bae D14/253
D941,285 S * 1/2022 Chang D14/447

* cited by examiner

Primary Examiner — Janice Hallmark

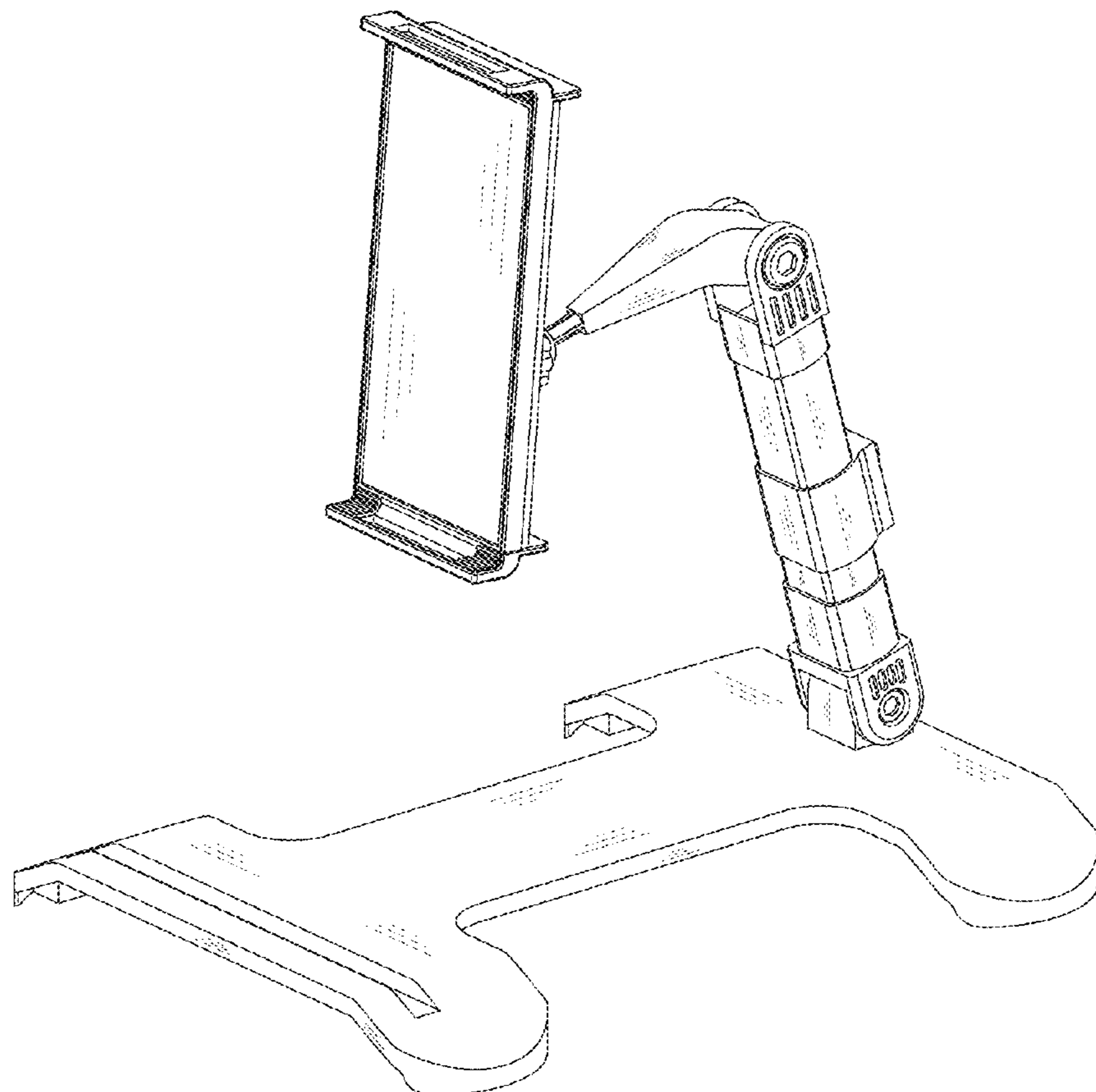
(57) **CLAIM**

The ornamental design for a mobile phone holder, substantially as shown and described.

DESCRIPTION

FIG. 1 is a perspective view of a mobile phone holder, showing my new design;
FIG. 2 is a front view thereof;
FIG. 3 is a rear view thereof;
FIG. 4 is a left side view thereof;
FIG. 5 is a right side view thereof;
FIG. 6 is a top plan view thereof; and,
FIG. 7 is a bottom plan view thereof.

1 Claim, 7 Drawing Sheets



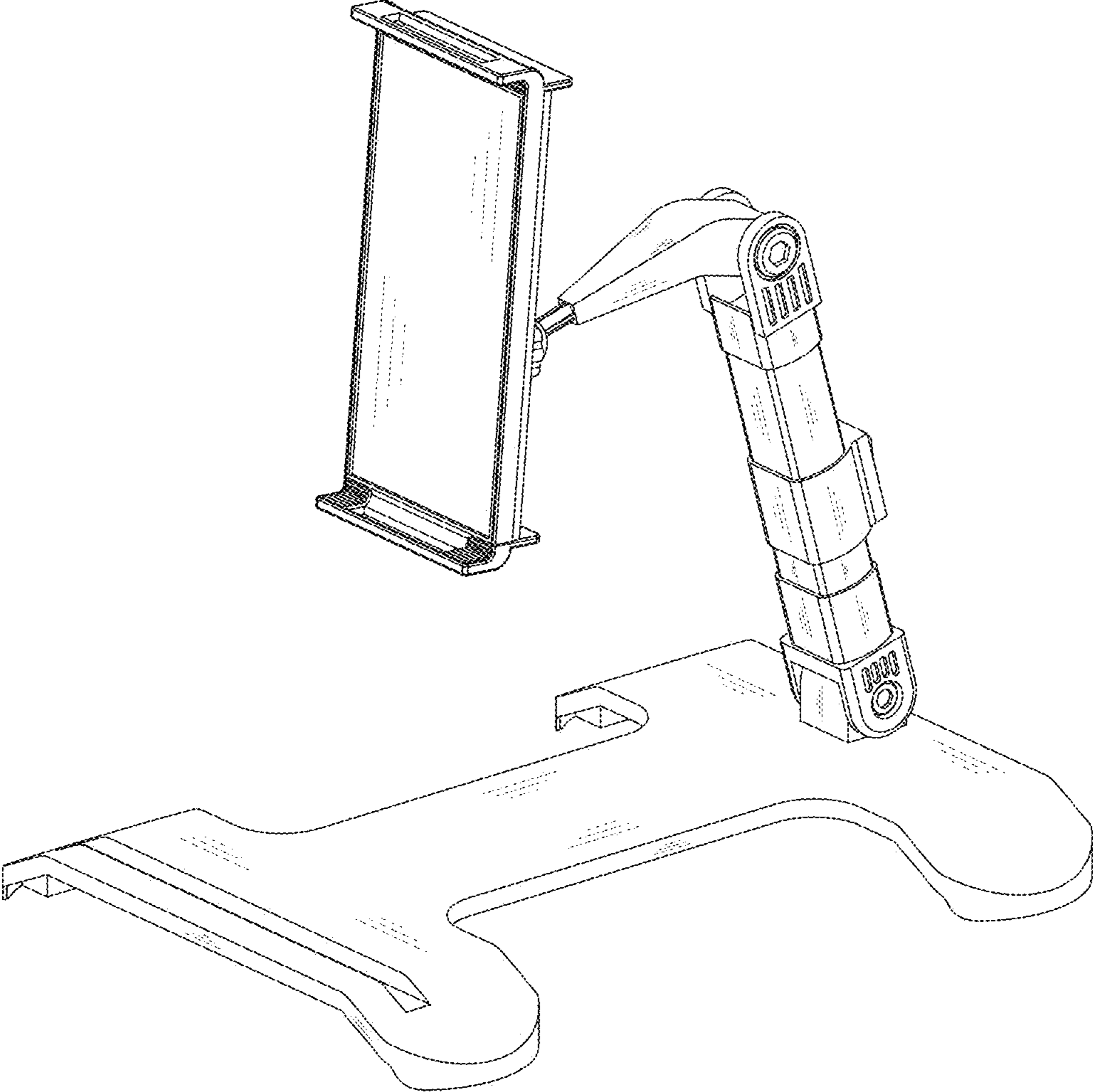


FIG. 1

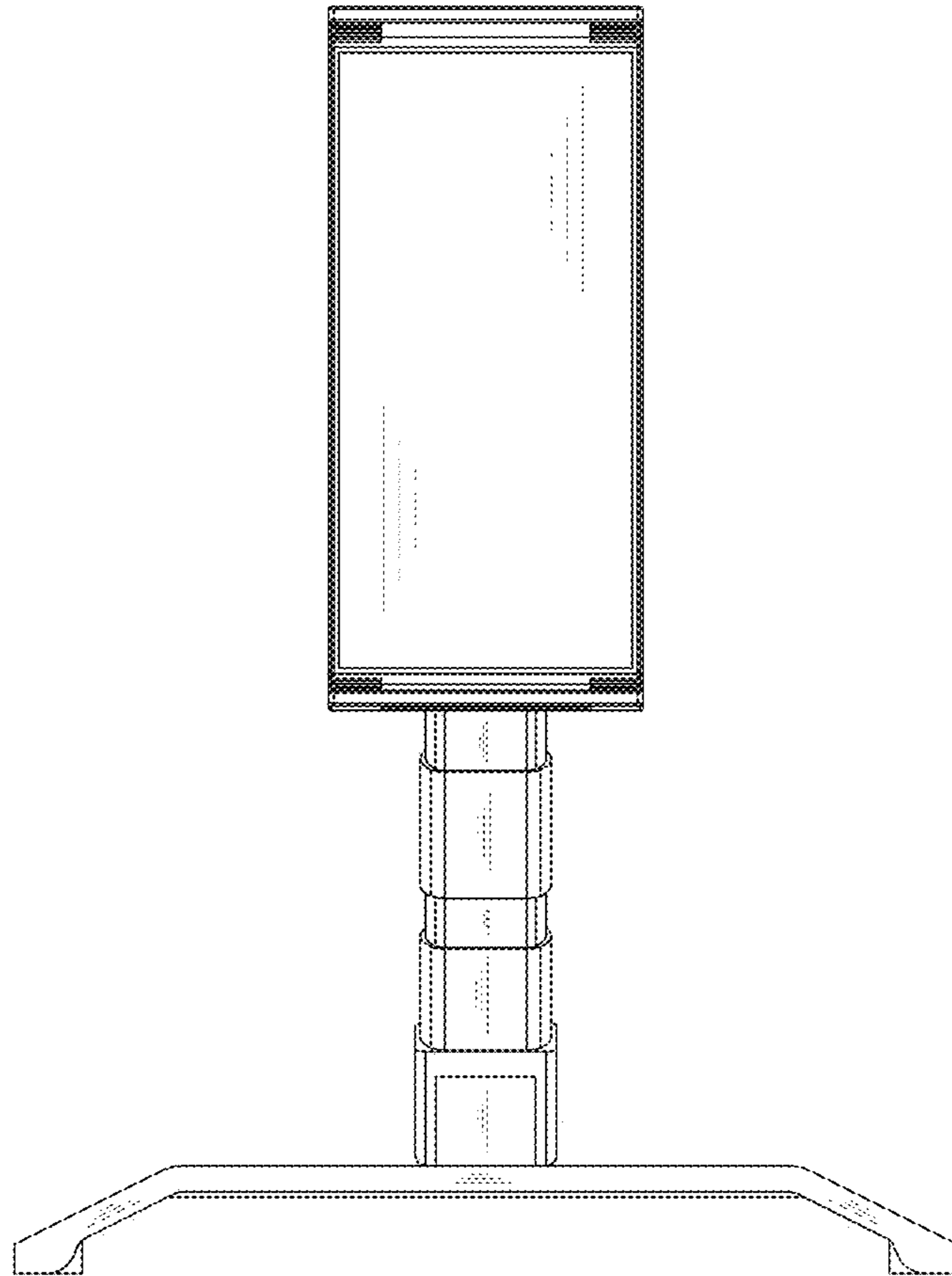


FIG. 2

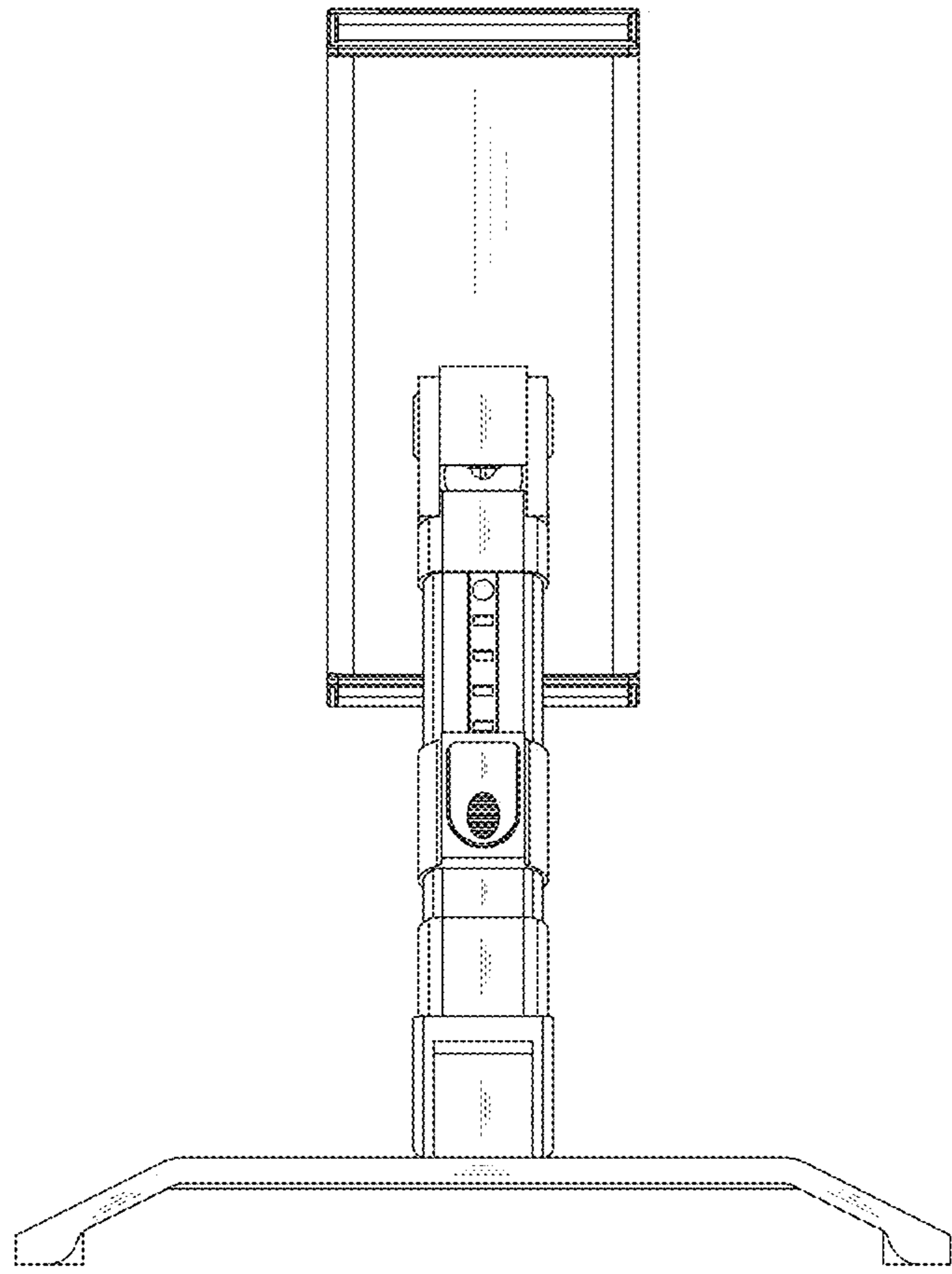


FIG. 3

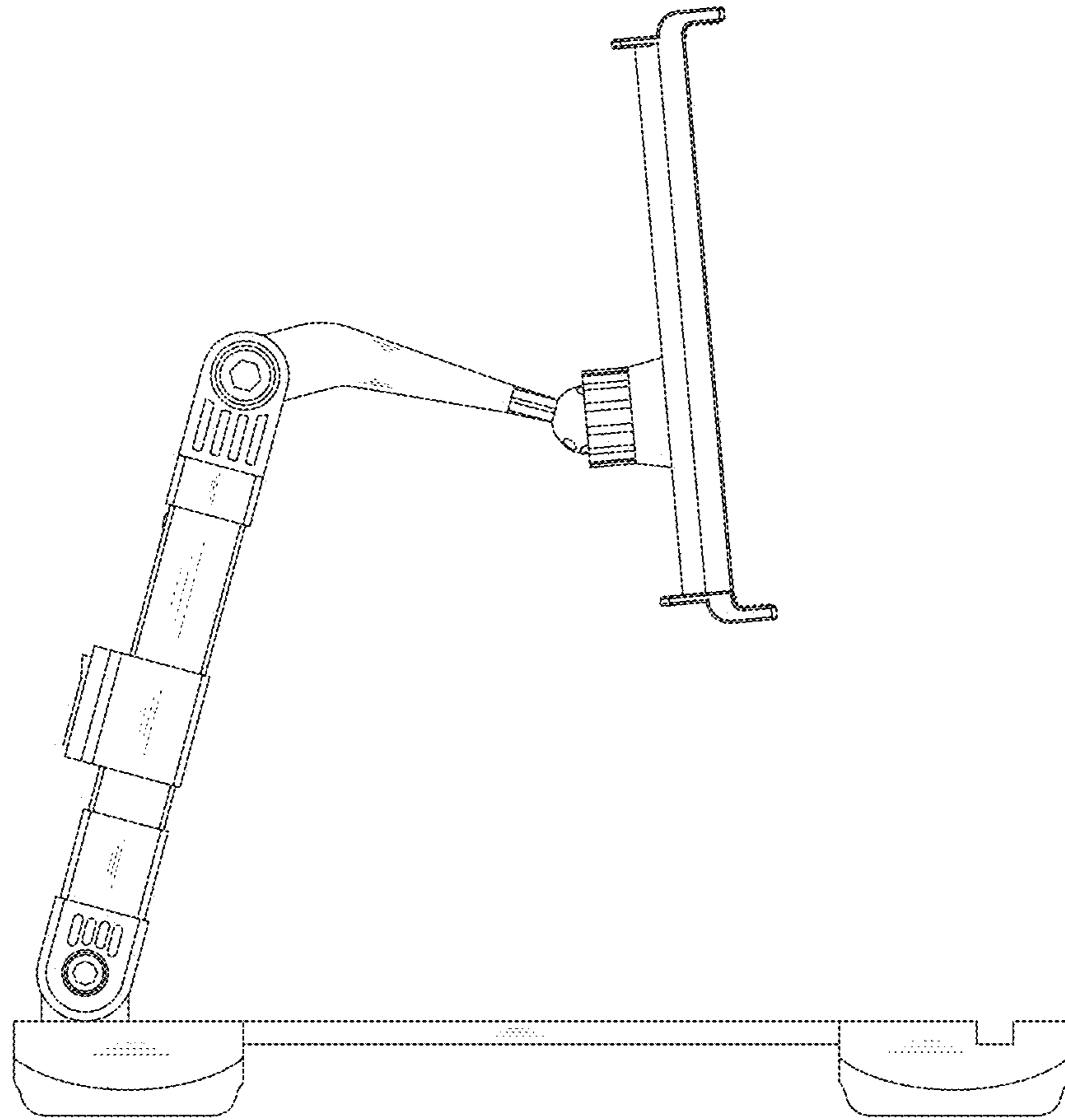


FIG. 4

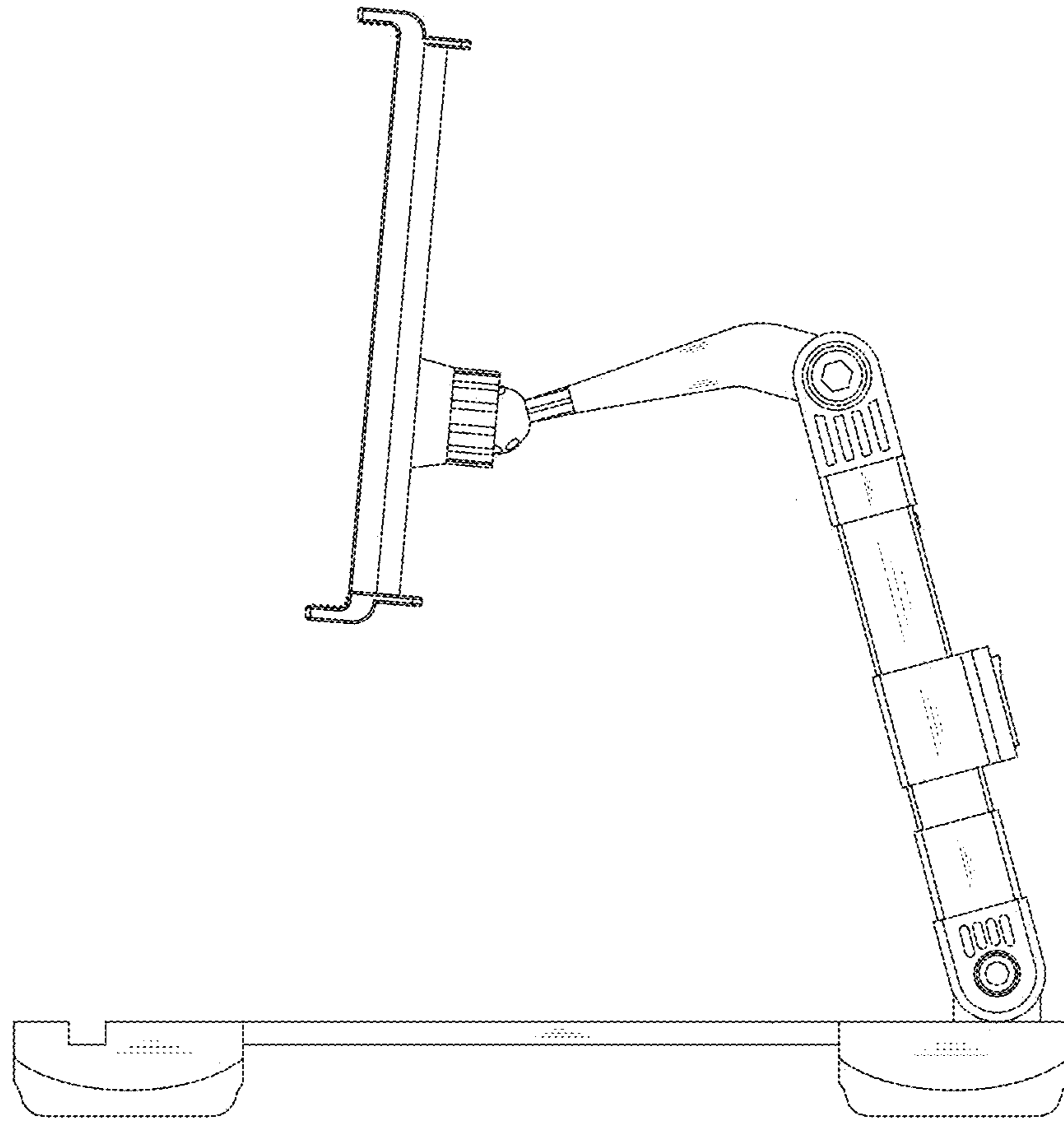


FIG. 5

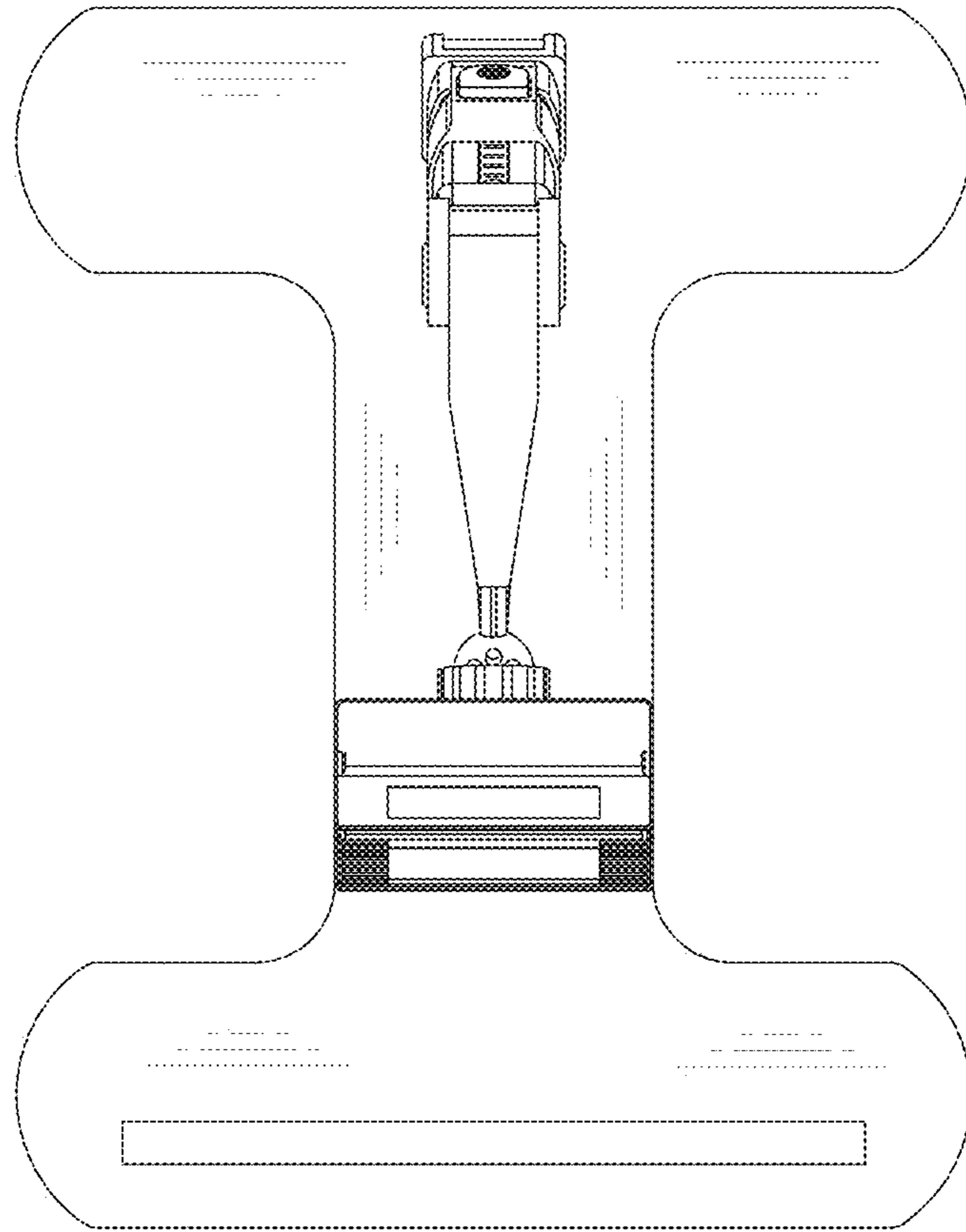


FIG. 6

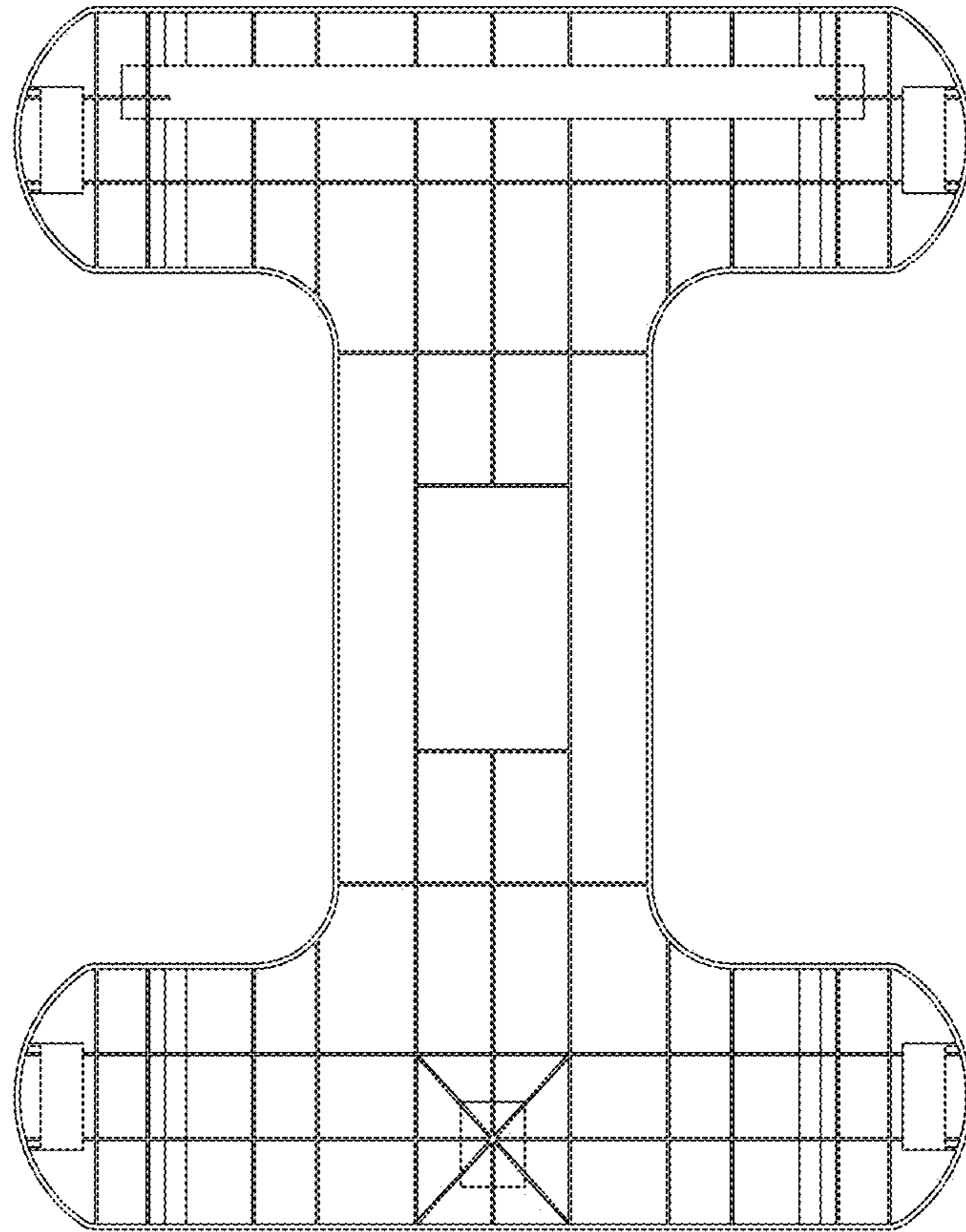


FIG. 7