



US00D960882S

(12) **United States Design Patent**
Spinella et al.

(10) **Patent No.:** **US D960,882 S**

(45) **Date of Patent:** **** Aug. 16, 2022**

(54) **BATTERY CHARGER**

(71) Applicant: **EGGTRONIC ENGINEERING S.R.L.**, Modena (IT)

(72) Inventors: **Igor Spinella**, Modena (IT); **Camilla Bettinelli**, Modena (IT)

(73) Assignee: **EGGTRONIC ENGINEERING S.P.A.**, Modena (IT)

(**) Term: **15 Years**

(21) Appl. No.: **29/733,731**

(22) Filed: **May 6, 2020**

(30) **Foreign Application Priority Data**

Nov. 7, 2019 (EM) 007200613

(51) **LOC (13) Cl.** **14-03**

(52) **U.S. Cl.**
USPC **D14/253**; D13/108

(58) **Field of Classification Search**
USPC D13/103, 107, 108, 118, 119; D14/140,
D14/142, 149, 240, 251, 252, 253, 432,
D14/433, 434, 439, 447
CPC H04M 1/06; H02J 7/342; H02J 7/0044;
H02J 7/0045
See application file for complete search history.

(56) **References Cited**

U.S. PATENT DOCUMENTS

D762,168 S *	7/2016	Sandoval	D13/107
D816,029 S *	4/2018	Dai	D13/108
D835,091 S *	12/2018	Torrance	D14/253
D855,048 S *	7/2019	Kim	D14/253
D858,507 S *	9/2019	Jang	D14/251
D866,546 S *	11/2019	Stillwell	D14/253
D873,213 S *	1/2020	Wu	D13/108
D874,454 S *	2/2020	Lederer	D14/253

10,721,343 B2 * 7/2020 Nahum F16M 11/041
10,750,844 B2 * 8/2020 Peterson A45C 11/00
D904,386 S * 12/2020 Luo D14/253

(Continued)

OTHER PUBLICATIONS

“Einova Wireless Power Ring”. Found online Sep. 8, 2021 at youtube.com. Reference dated Jan. 22, 2020. Retrieved from https://www.youtube.com/watch?v=1cri5IJJ9o. (Year: 2020).*

(Continued)

Primary Examiner — Kendra Leslie Hamilton

Assistant Examiner — Amanda Christensen

(74) *Attorney, Agent, or Firm* — Volpe Koenig

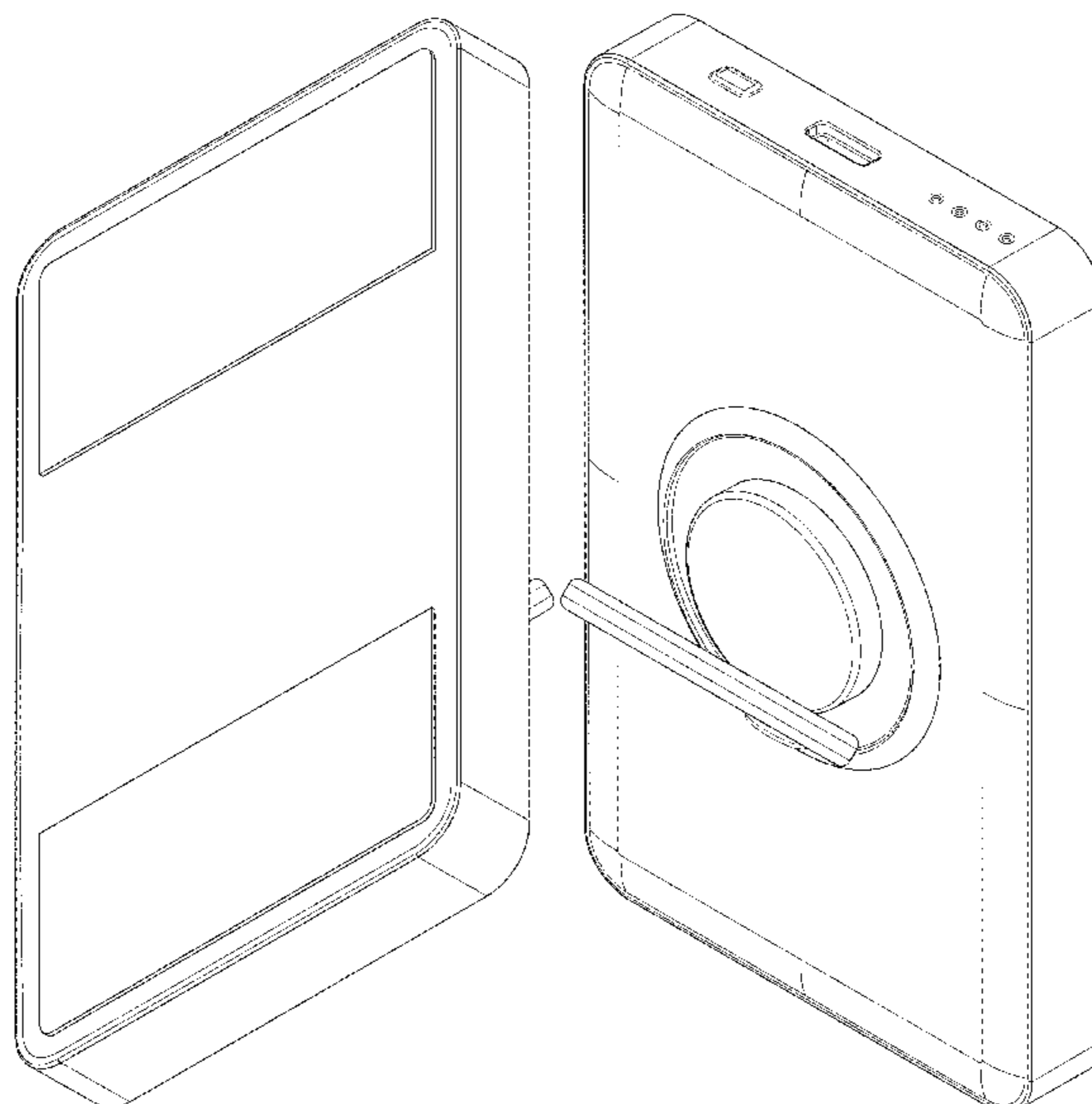
(57) **CLAIM**

The ornamental design for a battery charger, as shown and described.

DESCRIPTION

FIG. 1 is a rear view of a first embodiment of the battery charger of our design;
FIG. 2 is a bottom view thereof;
FIG. 3 is a front view thereof;
FIG. 4 is a top, right, rear isometric view thereof;
FIG. 5 is a bottom, front, isometric view thereof;
FIG. 6 is a top, left, rear isometric view thereof;
FIG. 7 is a left view thereof;
FIG. 8 is a right view thereof;
FIG. 9 is a top view thereof;
FIG. 10 is a rear view of a second embodiment of our design;
FIG. 11 is a bottom view thereof;
FIG. 12 is a front view thereof;
FIG. 13 is a top, right, rear isometric view thereof;
FIG. 14 is a bottom, front isometric view thereof;
FIG. 15 is a top, left, rear isometric view thereof;
FIG. 16 is a left view thereof;
FIG. 17 is a right view thereof; and,
FIG. 18 is a top view thereof.

1 Claim, 18 Drawing Sheets



(56)

References Cited

U.S. PATENT DOCUMENTS

2020/0112205 A1* 4/2020 Weisband H02J 7/0045
2020/0203975 A1* 6/2020 Sobh H04B 1/3883

OTHER PUBLICATIONS

“Einova Power Popper”. Found online Sep. 8, 2021 at facebook.com. Reference dated Oct. 30, 2020. Retrieved from <https://www.facebook.com/EinovaEurope/photos/a.115902213566842/138287687994961/?type=3&theater>. (Year: 2020).*

“Lamicall Phone Kickstand”. Found online Sep. 27, 2021 at amazon.com. Reference dated Jul. 27, 2018. Retrieved from https://www.amazon.com/dp/B07FYJJZDR/ref=sspa_dk_detail_2. (Year: 2018).*

* cited by examiner

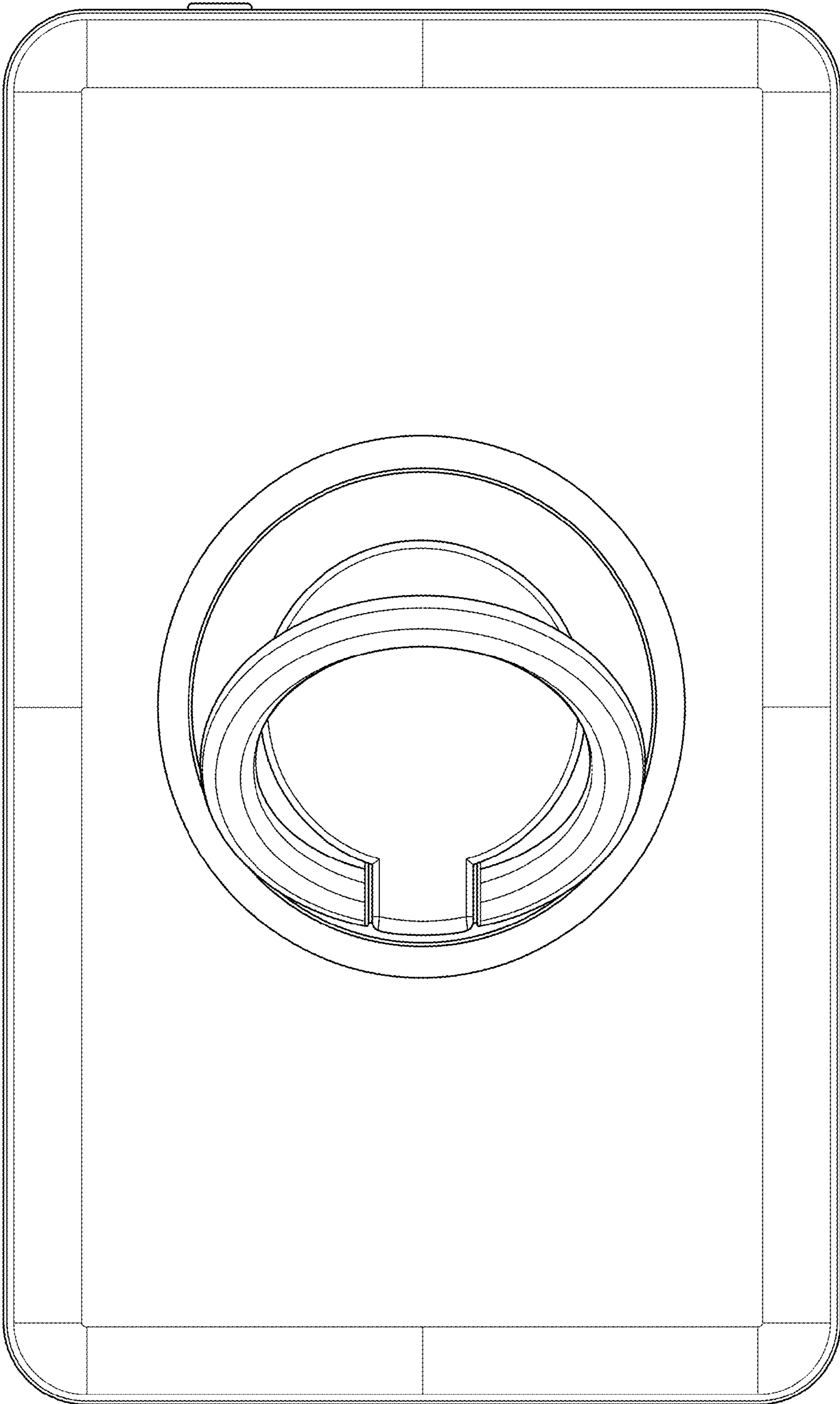


FIG. 1

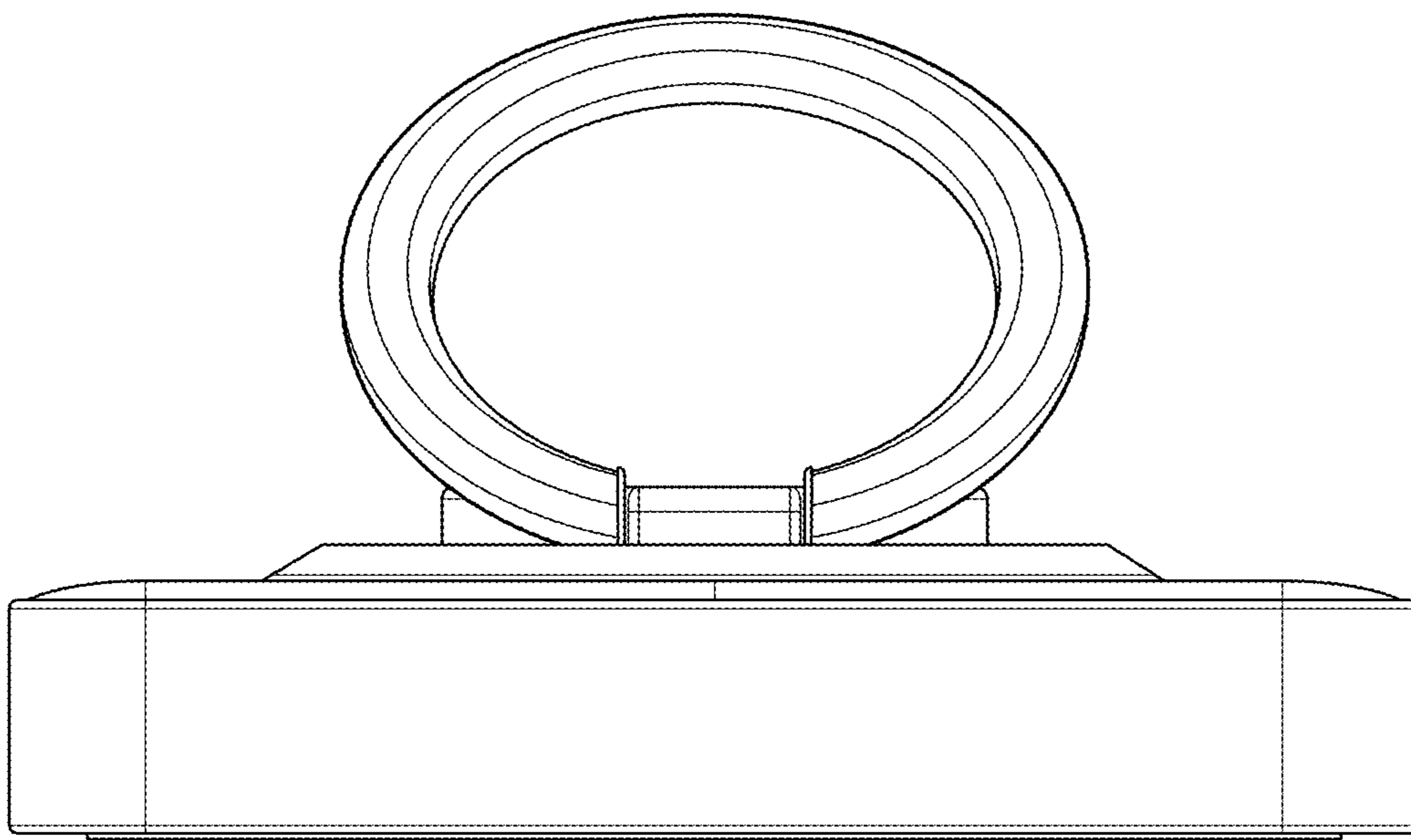


FIG. 2

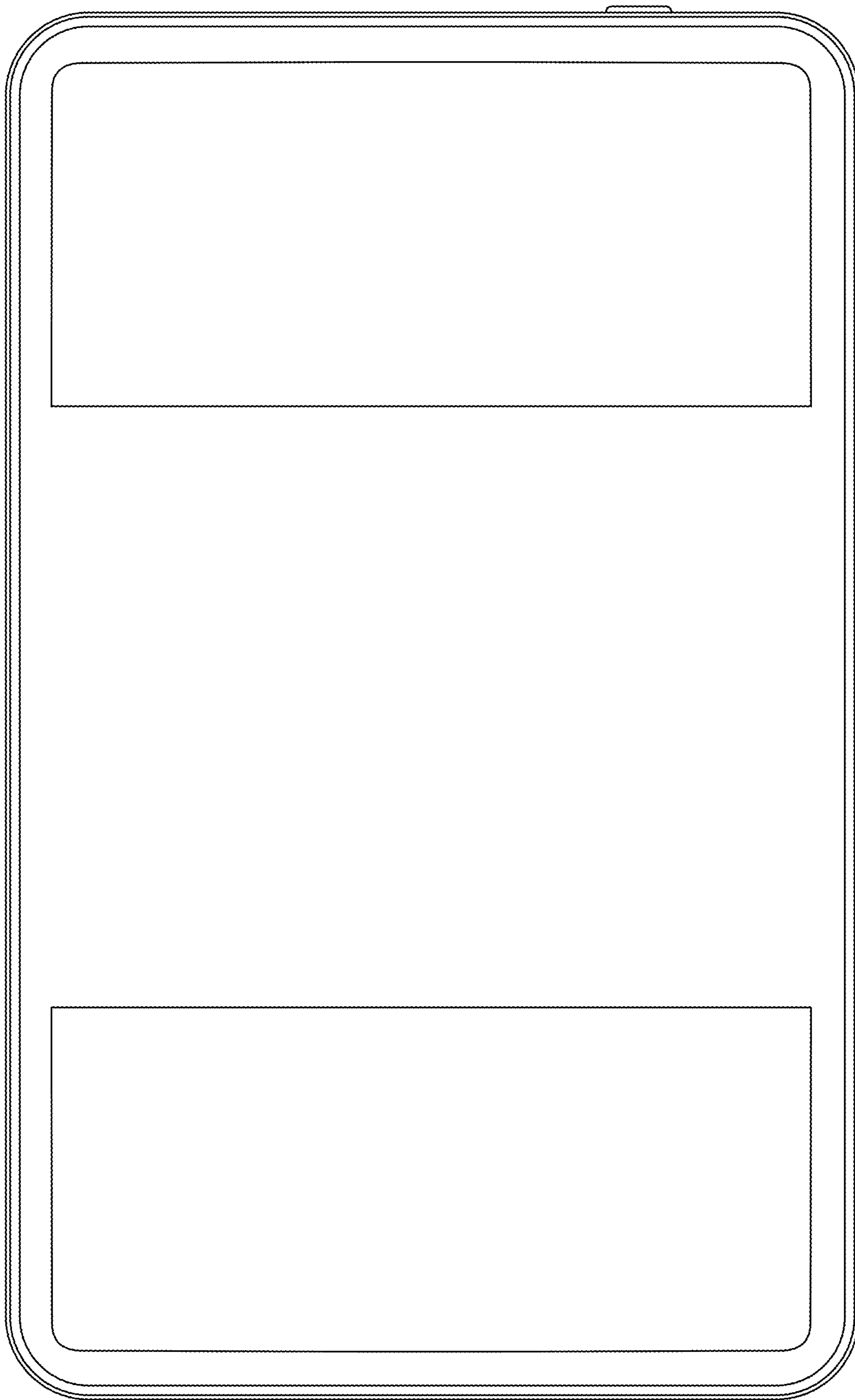


FIG. 3

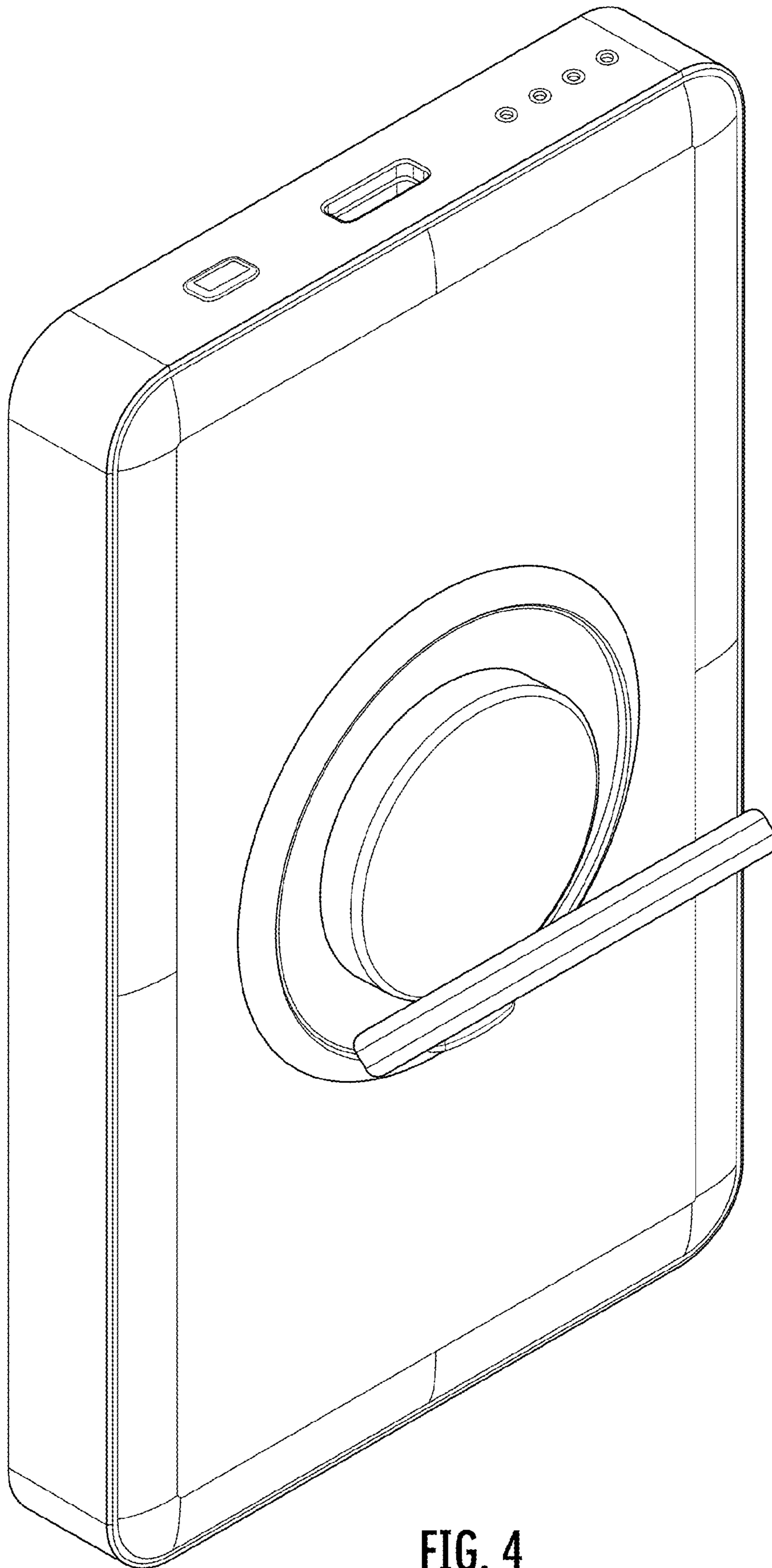


FIG. 4

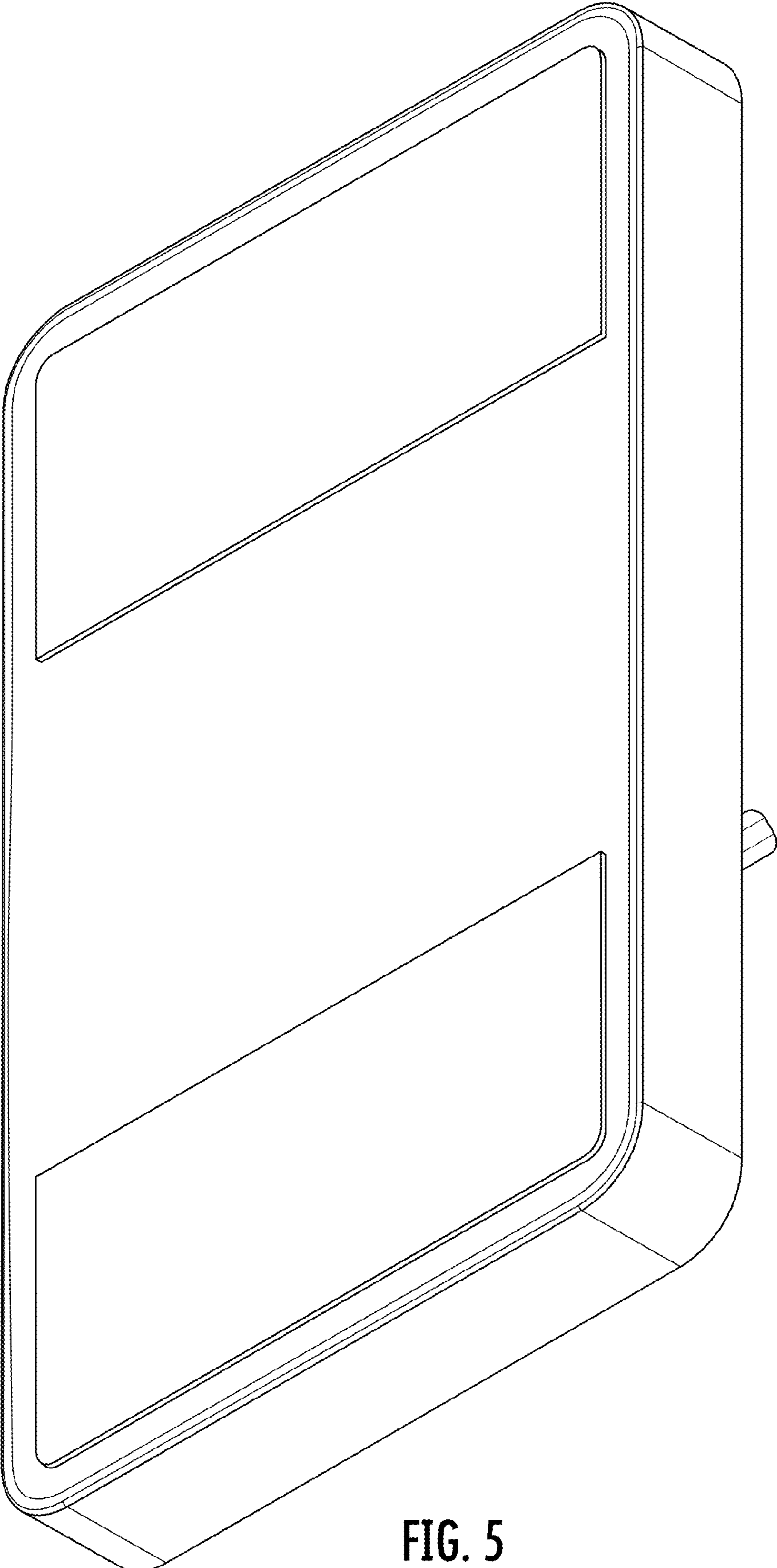


FIG. 5

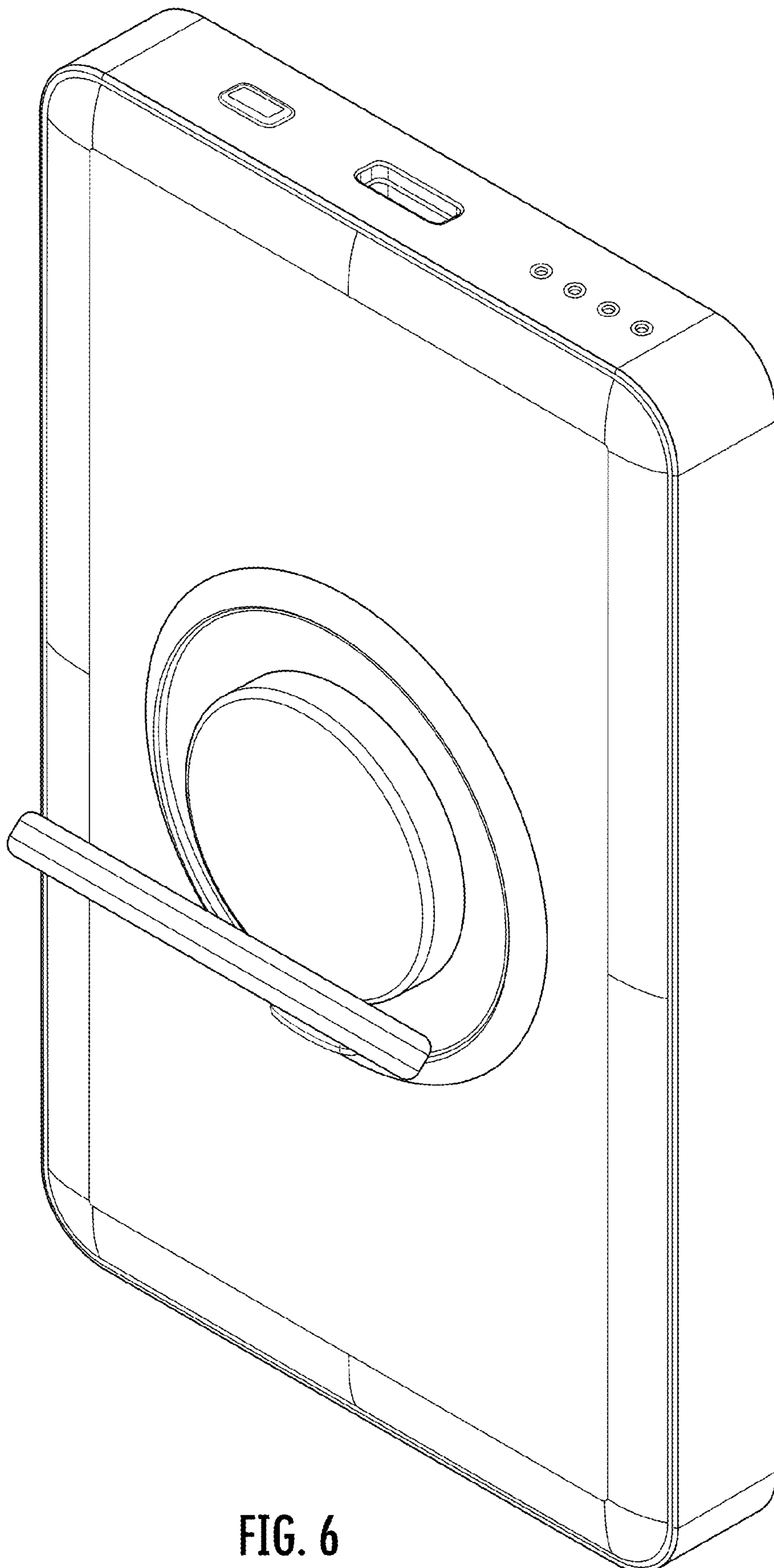


FIG. 6

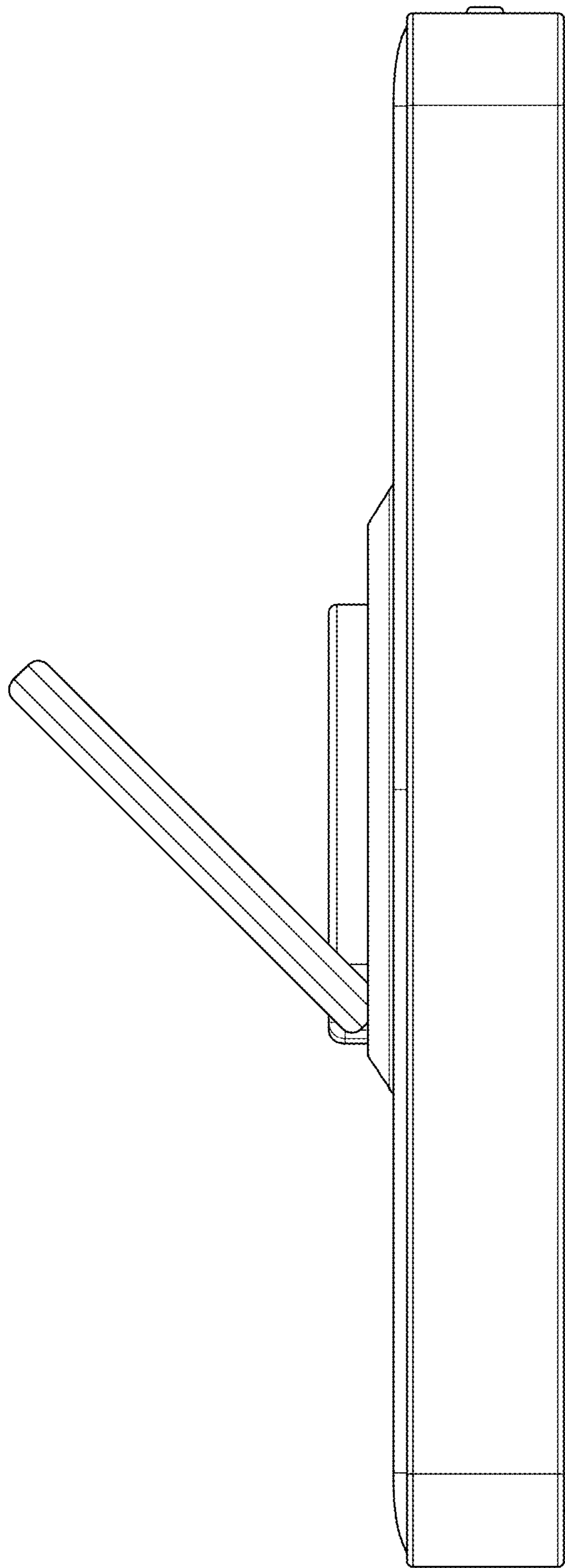


FIG. 7

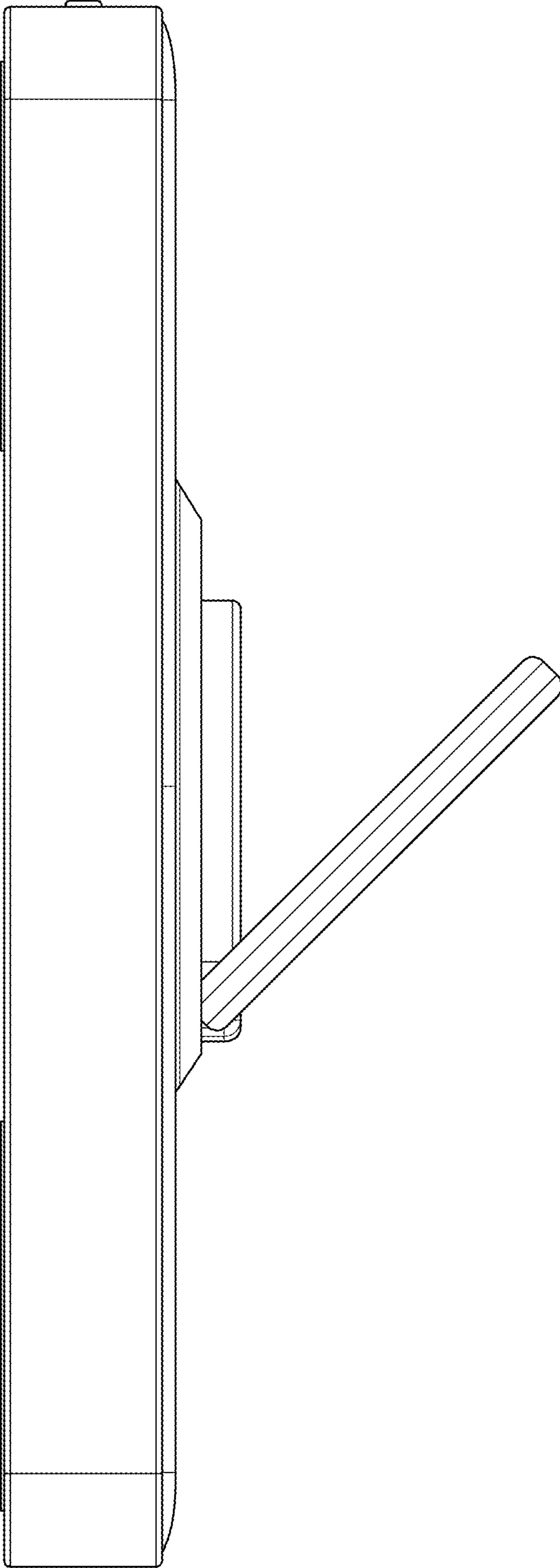


FIG. 8

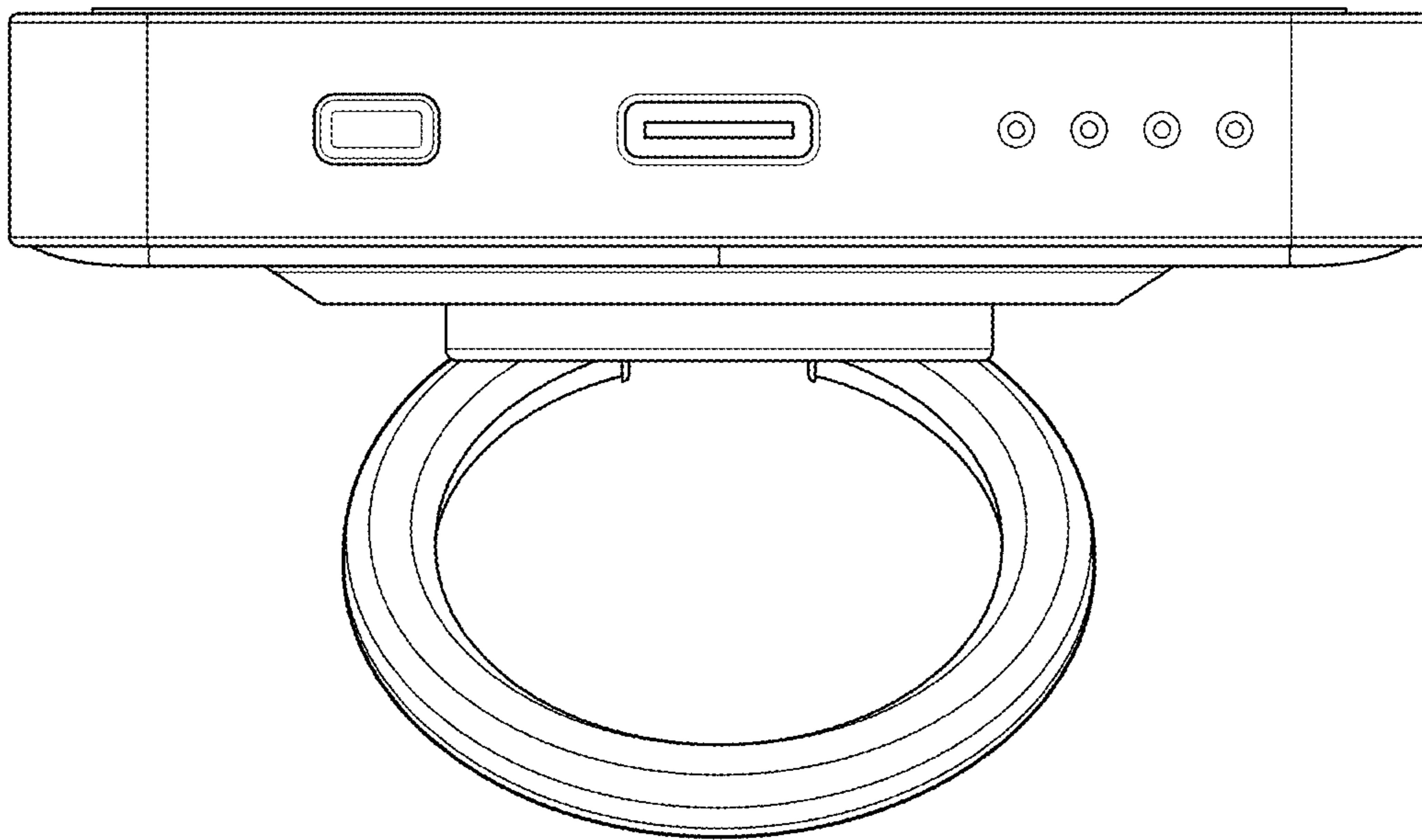


FIG. 9

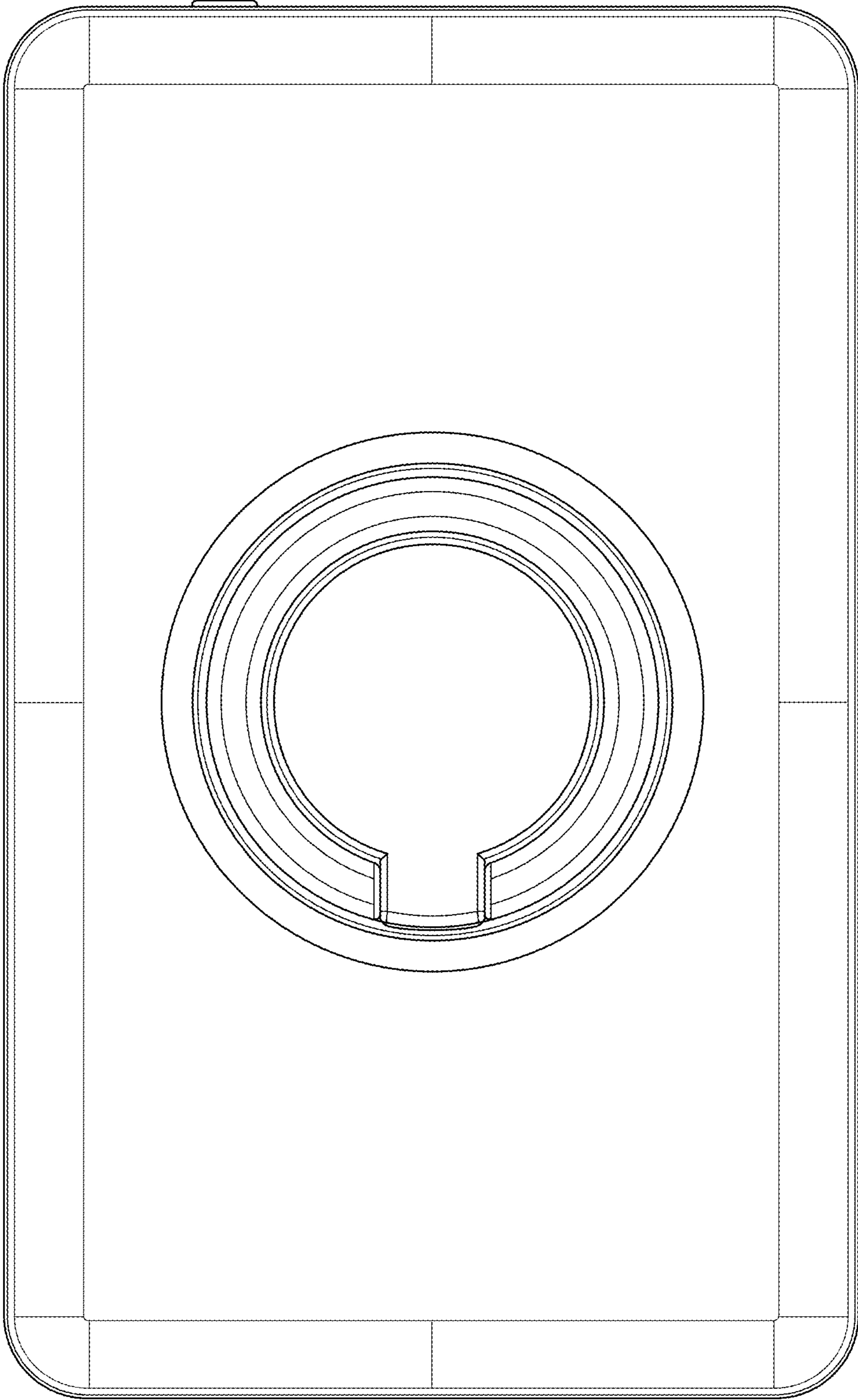


FIG. 10

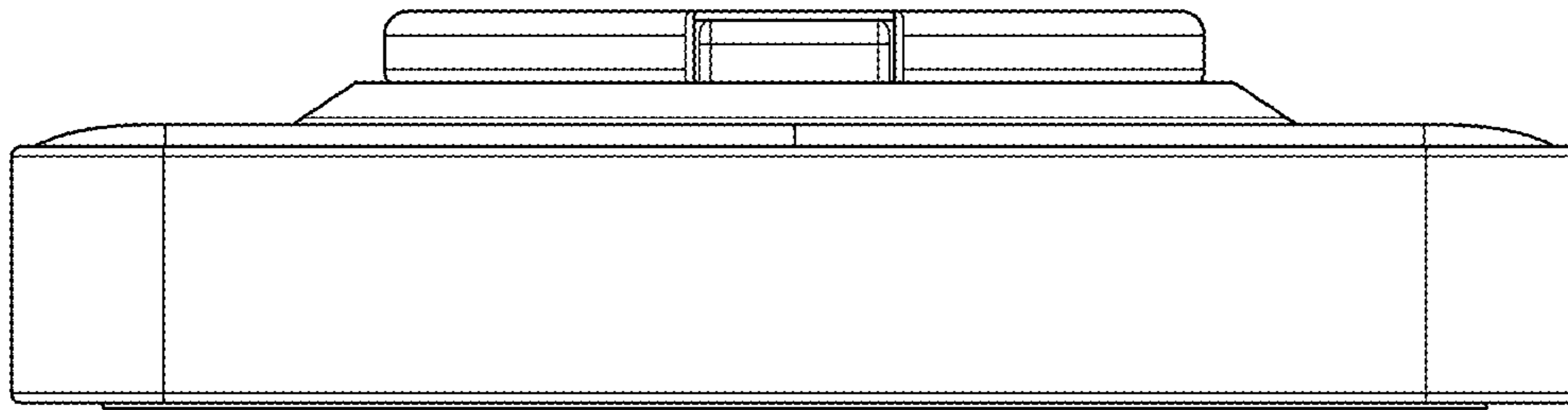


FIG. 11

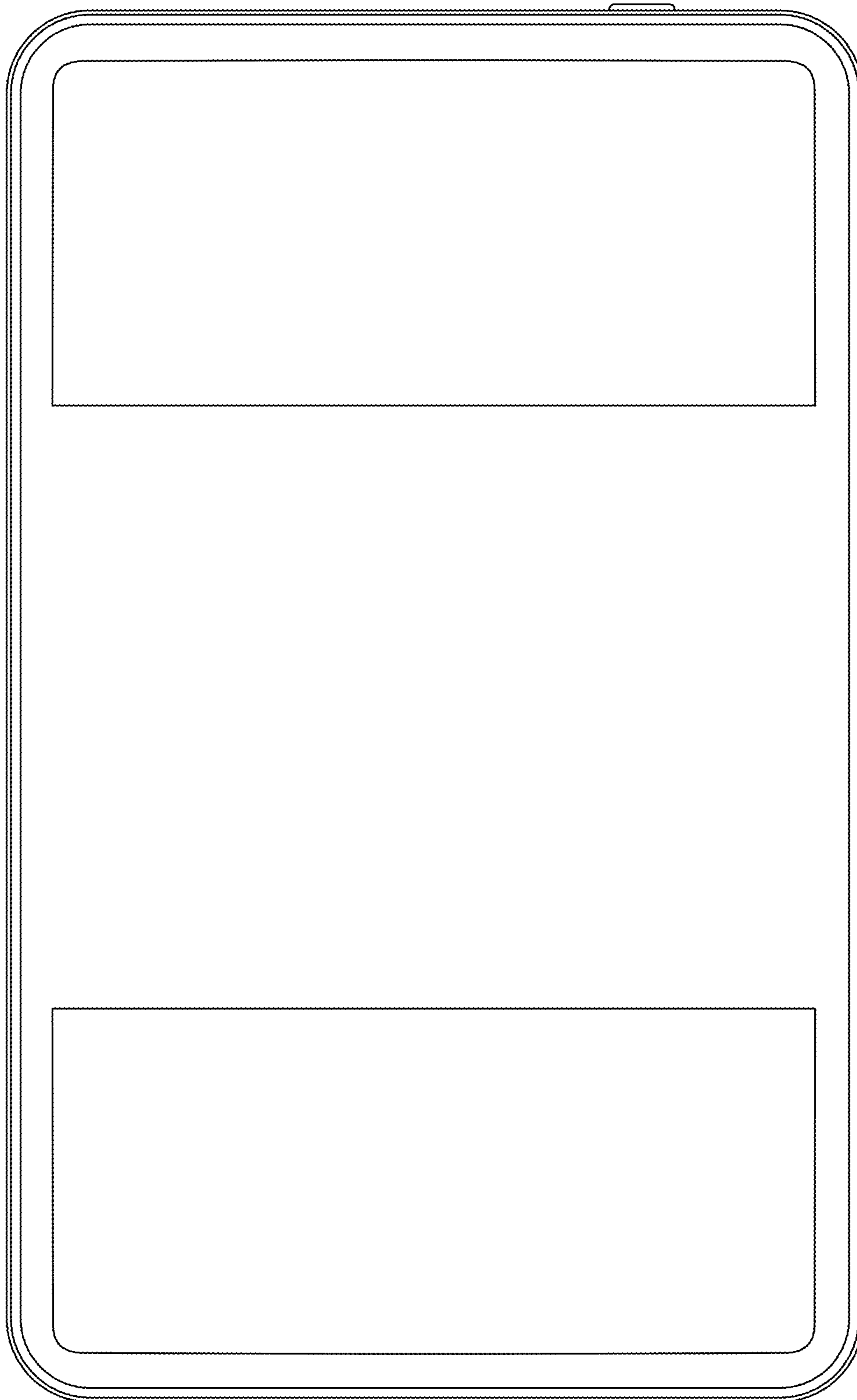


FIG. 12

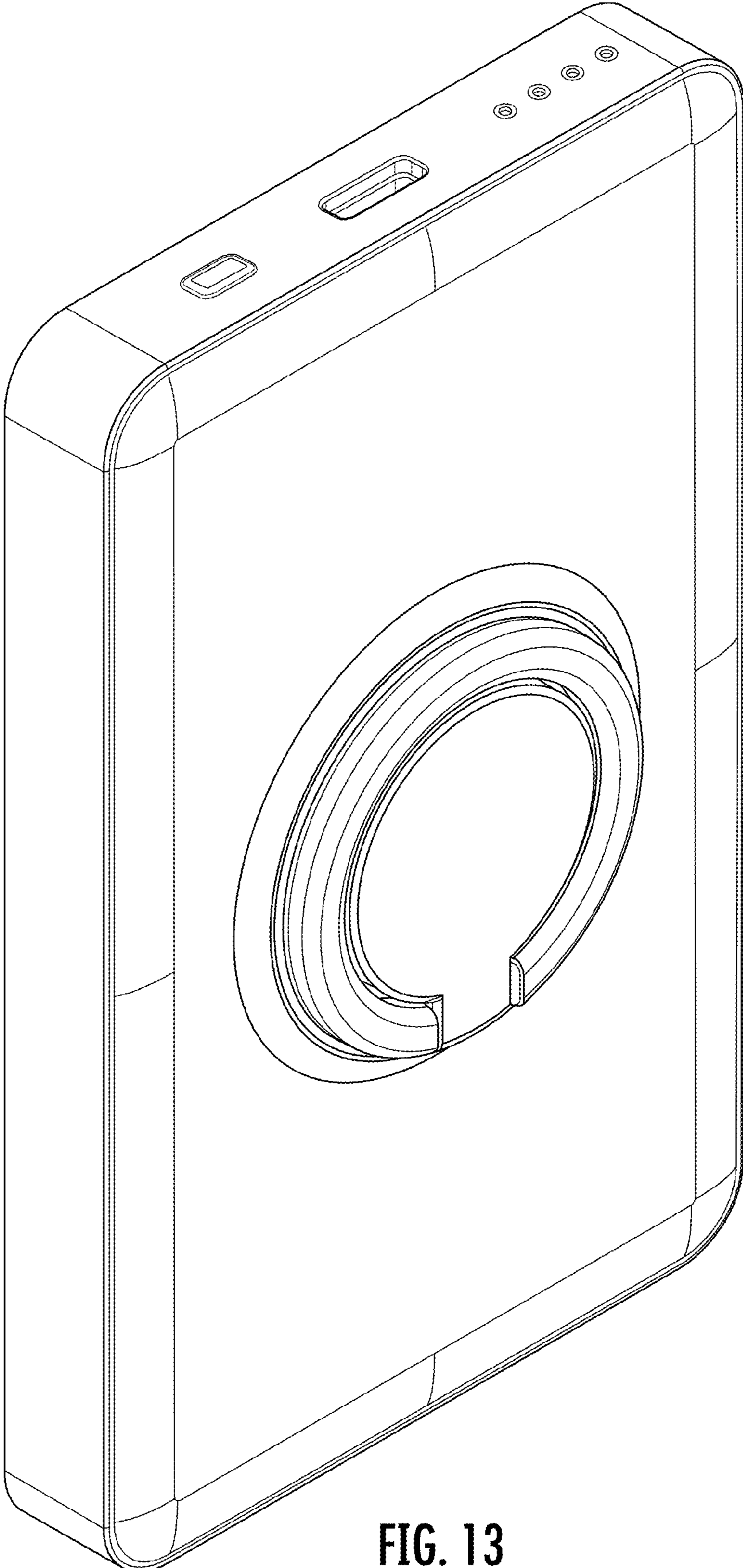


FIG. 13

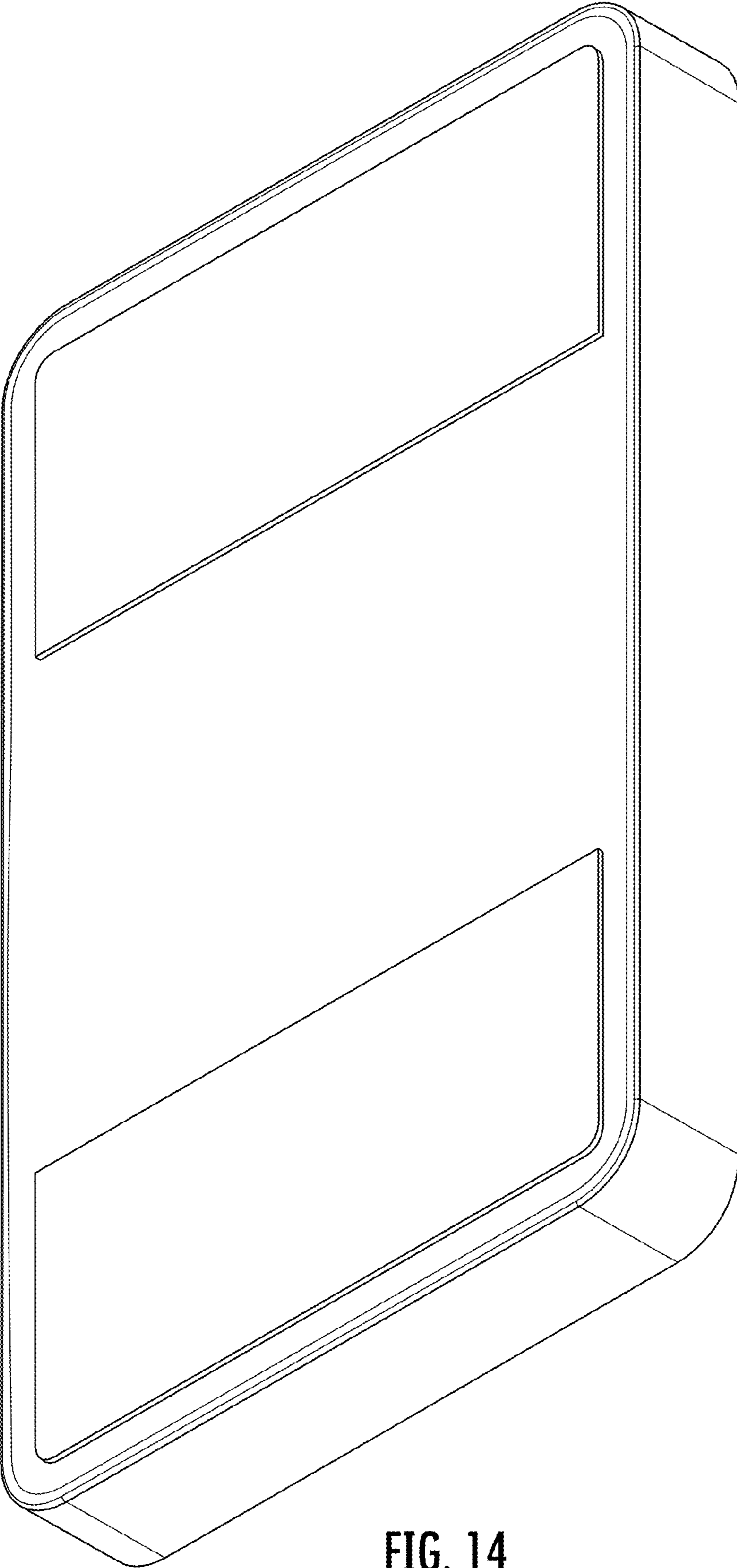


FIG. 14

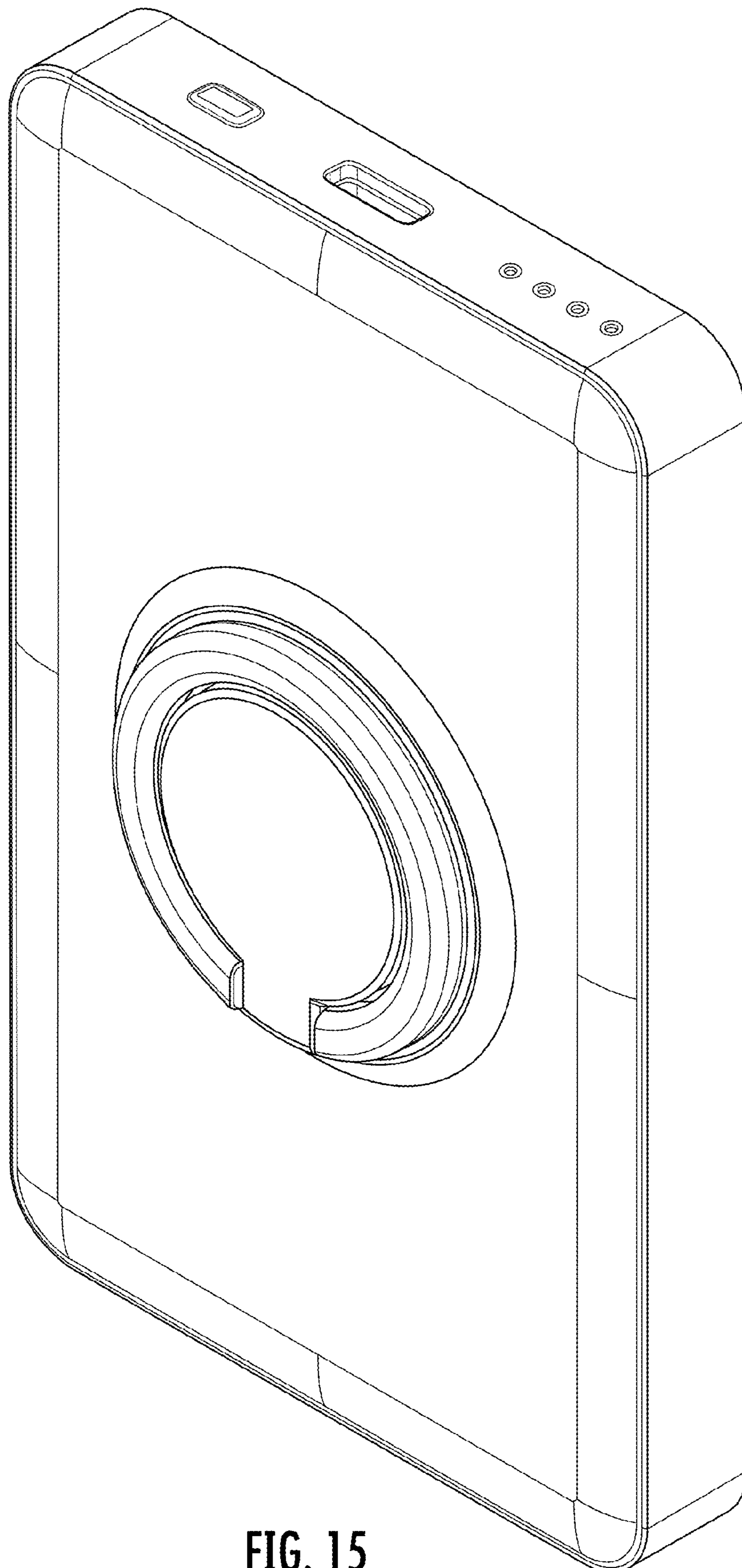


FIG. 15

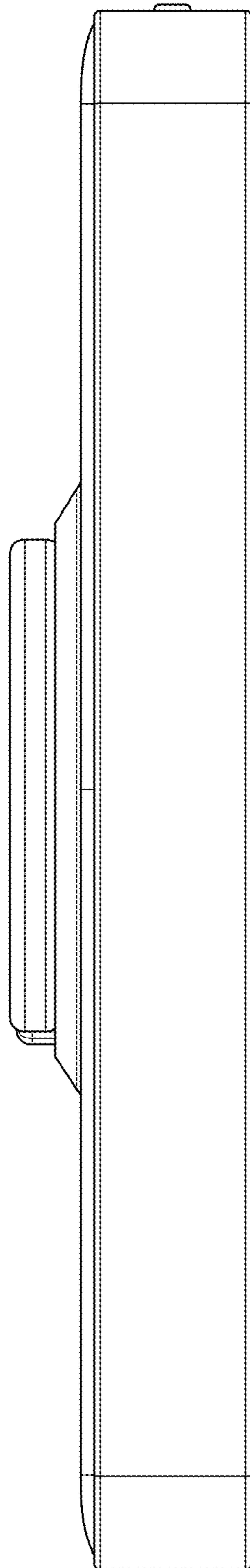


FIG. 16

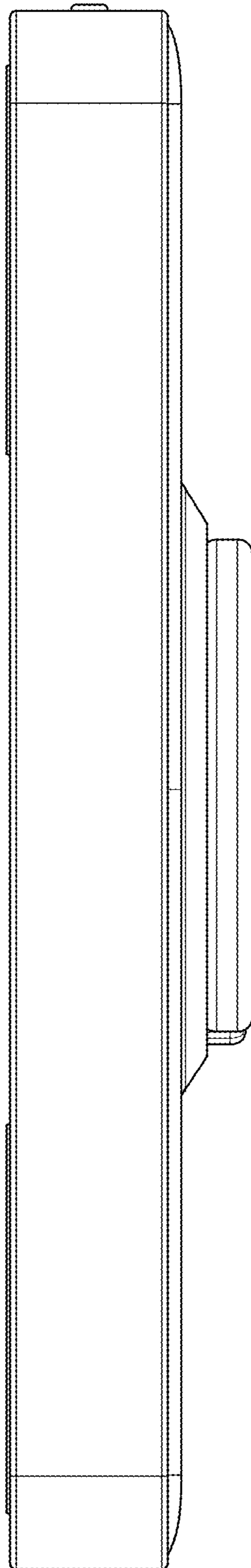


FIG. 17

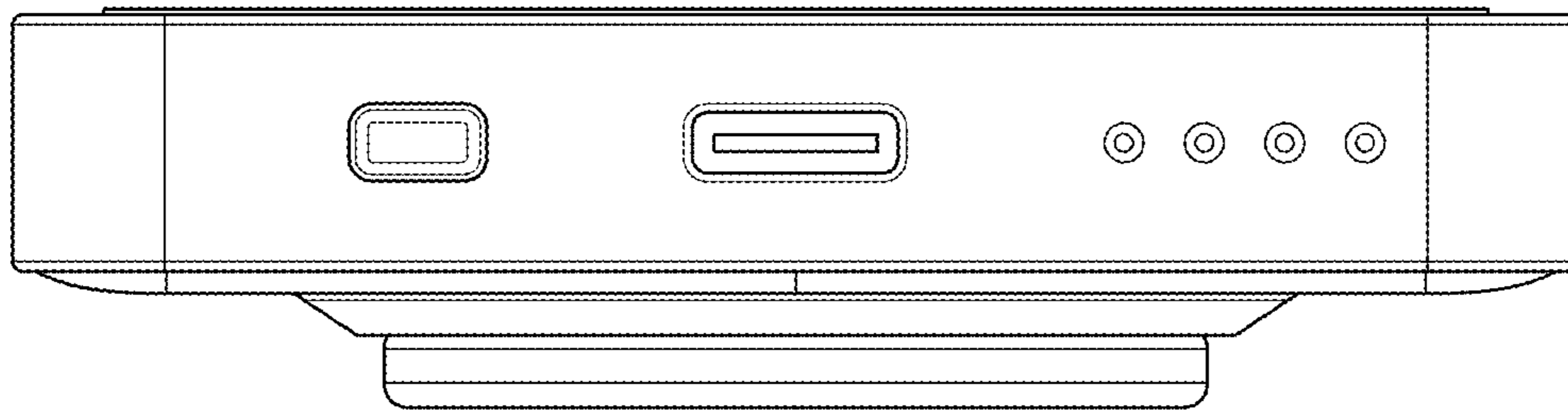


FIG. 18