



US00D960876S

(12) **United States Design Patent**
Zhao

(10) **Patent No.:** **US D960,876 S**

(45) **Date of Patent:** **** Aug. 16, 2022**

- (54) **WIRELESS USB MICROPHONE**
- (71) Applicant: **Shenzhen Jiayz Photo Industrial, Ltd, Shenzhen (CN)**
- (72) Inventor: **Hongliang Zhao, Shenzhen (CN)**
- (**) Term: **15 Years**
- (21) Appl. No.: **29/776,533**
- (22) Filed: **Mar. 30, 2021**
- (51) **LOC (13) Cl.** **14-01**
- (52) **U.S. Cl.**
USPC **D14/227**
- (58) **Field of Classification Search**
USPC D14/227, 225, 226, 228, 229; D13/108;
D16/130, 131, 136; 381/355, 363;
D21/483
CPC H04R 25/00; H04R 11/04; H04R 9/048;
H04R 1/086; H04R 9/08; H04R 19/02;
H04R 19/04; H04R 3/00; H04R 1/08;
H04R 1/1083
See application file for complete search history.

- 8,076,889 B2 * 12/2011 Lai F16M 11/2021
700/250
- D657,740 S * 4/2012 Prat-Pfister D13/108
- D765,061 S * 8/2016 Heil D14/229
- 9,877,113 B2 * 1/2018 Akino H04R 19/04
- D834,004 S * 11/2018 Chen D14/226
- D834,564 S * 11/2018 Chen D14/226
- D835,612 S * 12/2018 Tong D14/225
- D842,278 S * 3/2019 Tong D14/227
- D848,404 S * 5/2019 Chen D14/227
- D851,073 S * 6/2019 Tong D14/227
- D890,141 S * 7/2020 Chen D14/228
- D890,732 S * 7/2020 Chen D14/227
- D899,407 S * 10/2020 Mai D14/227

(Continued)

FOREIGN PATENT DOCUMENTS

- CN 306531467 * 5/2021
- CN 306679533 * 7/2021

(Continued)

Primary Examiner — Paula Allen Greene

(57) **CLAIM**

The ornamental design for a wireless USB microphone, as shown and described.

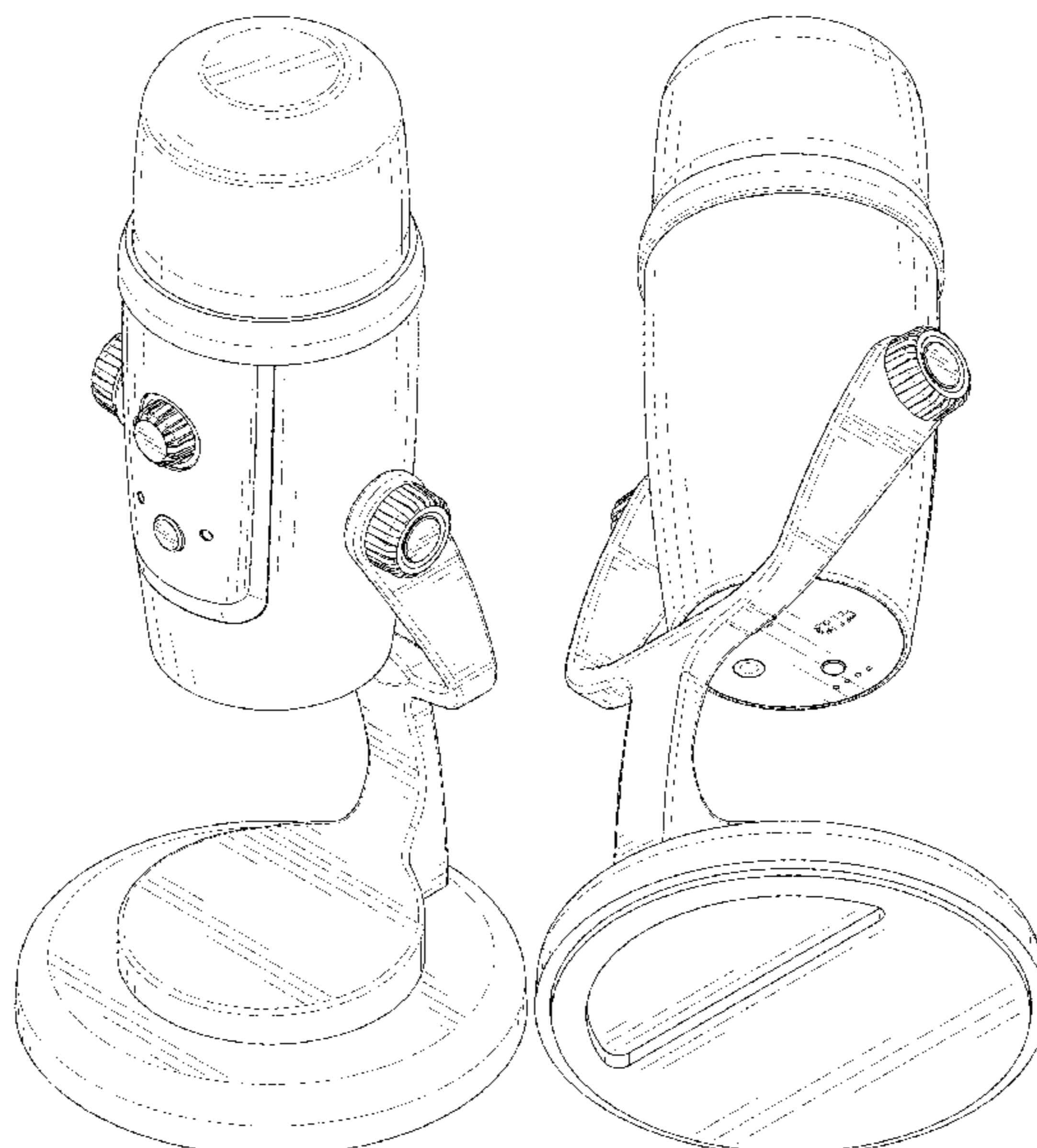
DESCRIPTION

FIG. 1 is a front and top perspective view of a wireless USB microphone, showing my new design;
 FIG. 2 is a rear and bottom perspective view thereof;
 FIG. 3 is a front elevation view thereof;
 FIG. 4 is a rear elevation view thereof;
 FIG. 5 is a left side elevation view thereof;
 FIG. 6 is a right side elevation view thereof;
 FIG. 7 is a top plan view thereof; and,
 FIG. 8 is a bottom plan view thereof.
 The broken lines in the figures illustrate portions of the wireless USB microphone that form no part of the claimed design.

1 Claim, 8 Drawing Sheets

(56) **References Cited**
U.S. PATENT DOCUMENTS

- 2,123,103 A * 7/1938 Fischel H01R 39/00
439/23
- D233,669 S * 11/1974 Plice D14/228
- 4,480,809 A * 11/1984 Healey F16M 11/10
248/185.1
- 5,357,577 A * 10/1994 Waji H01J 7/24
381/115
- D503,945 S * 4/2005 Kung D16/131
- D516,546 S * 3/2006 Sobol D14/228
- D566,115 S * 4/2008 Swanson D14/240
- D572,188 S * 7/2008 Prat-Pfister D13/108
- D592,689 S * 5/2009 Dunn D16/131
- D629,549 S * 12/2010 Feigenbaum D26/63
- D638,406 S * 5/2011 Chiang D14/224



(56)

References Cited

U.S. PATENT DOCUMENTS

D905,023 S * 12/2020 Renwick D14/227
D917,429 S * 4/2021 Xiang D14/228
D918,186 S * 5/2021 Mai D14/227
D930,624 S * 9/2021 Renwick D14/227
D933,640 S * 10/2021 Zhou D14/225
2009/0169043 A1* 7/2009 Josephson H04R 1/086
381/355
2021/0099809 A1* 4/2021 Williamson H04R 5/027

FOREIGN PATENT DOCUMENTS

CN 307010704 * 12/2021
CN 307026878 * 12/2021
CN 307180023 * 3/2022

* cited by examiner

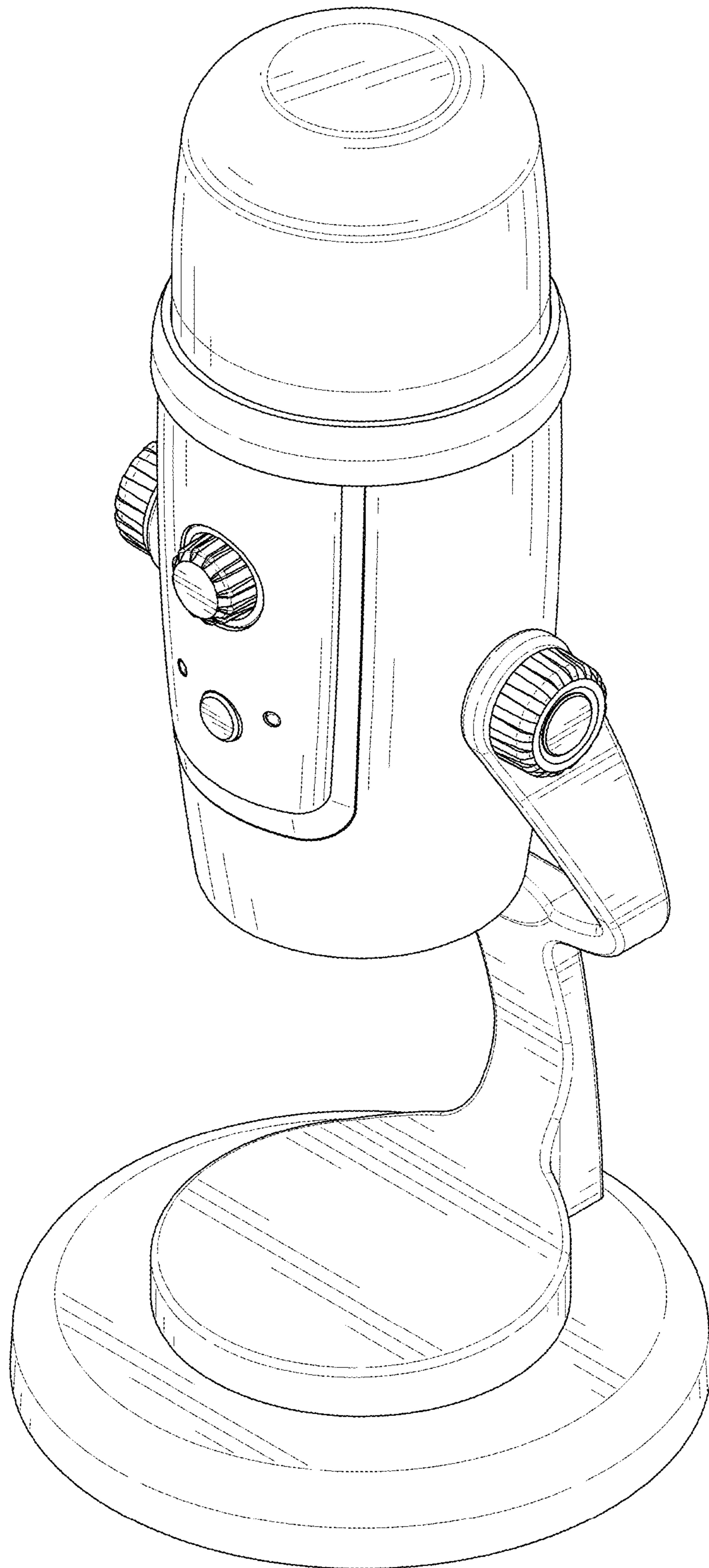


FIG. 1

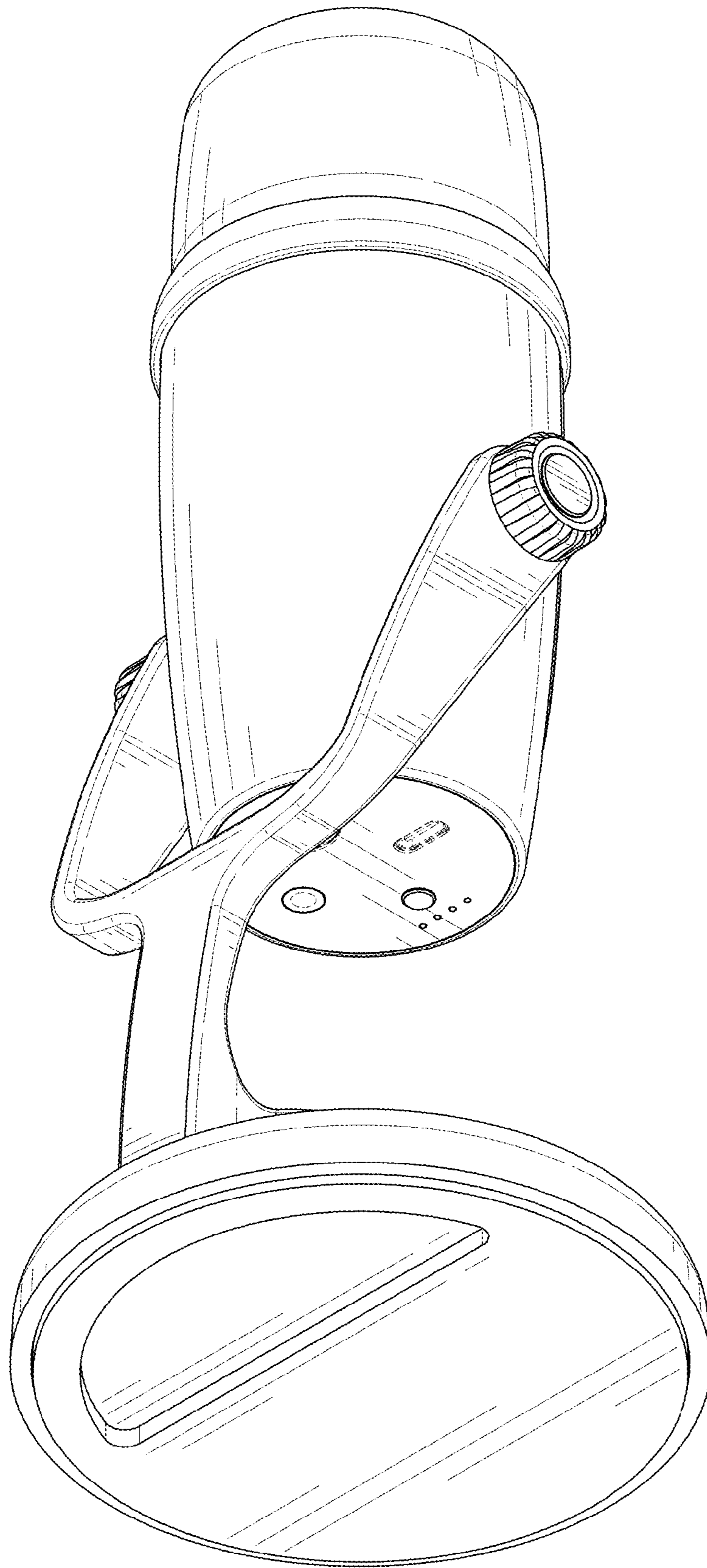


FIG. 2

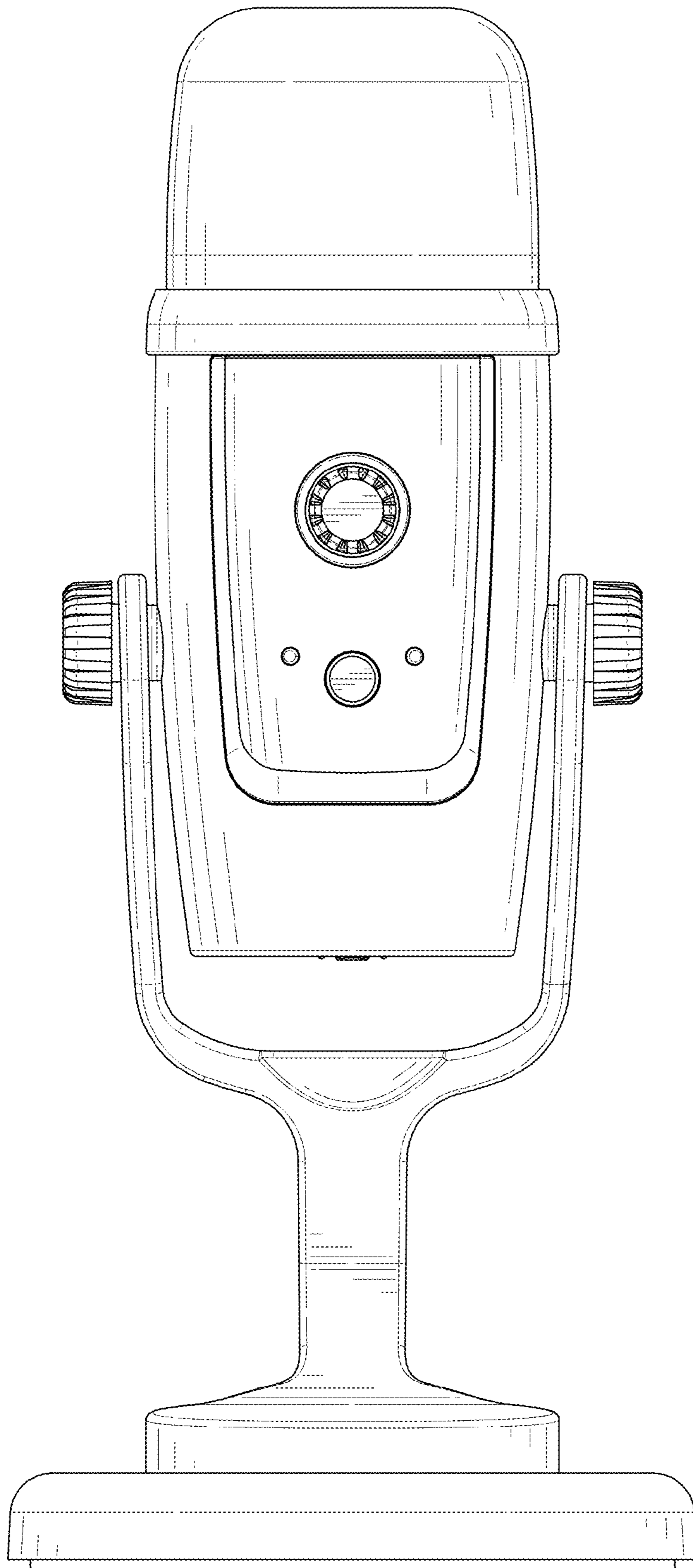


FIG. 3

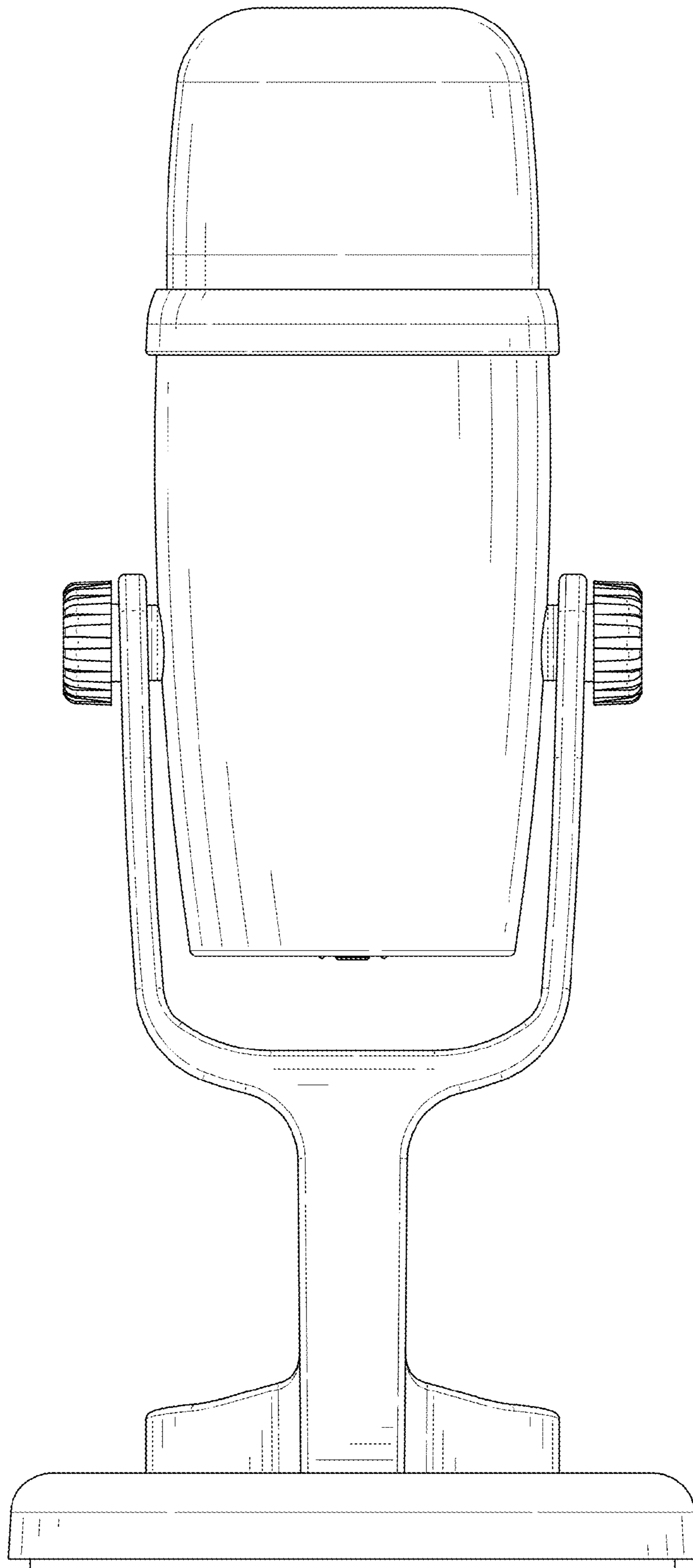


FIG. 4

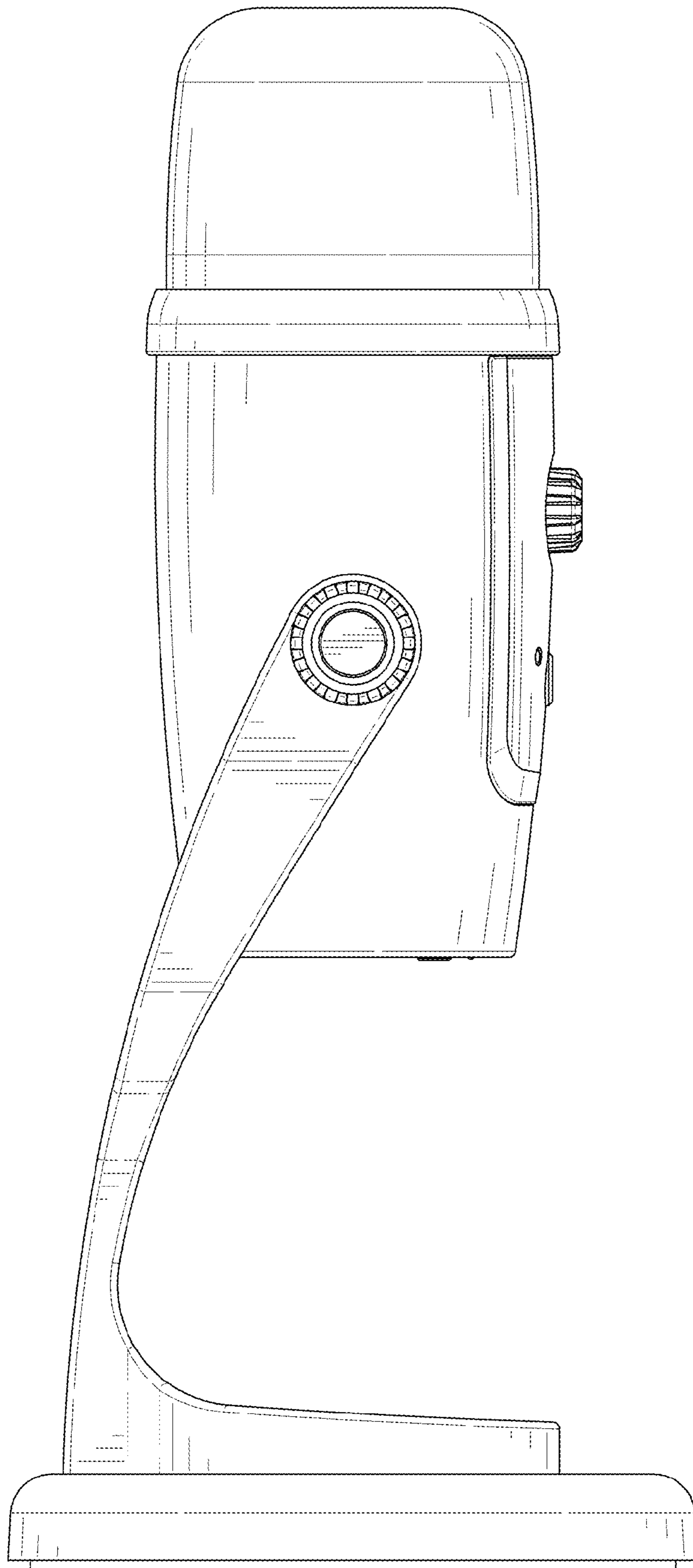


FIG. 5

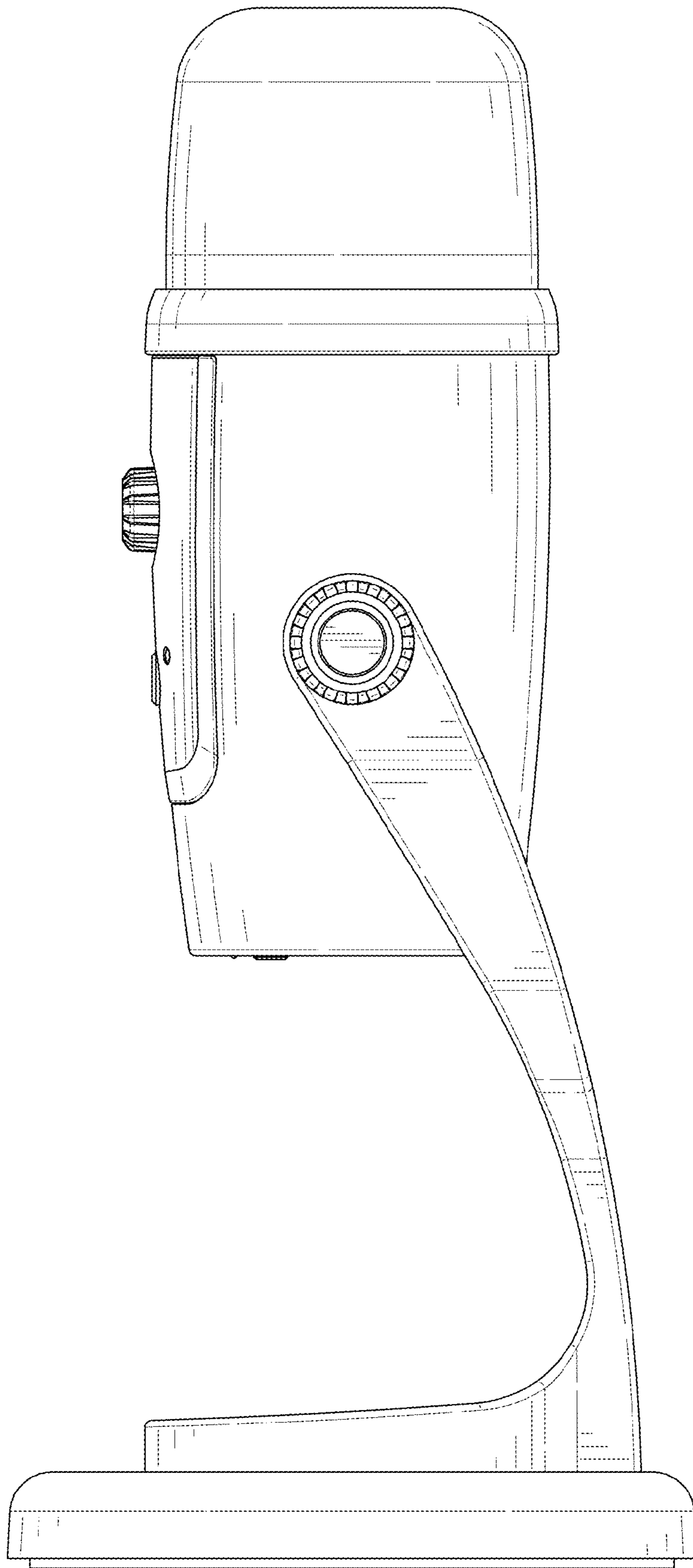


FIG. 6

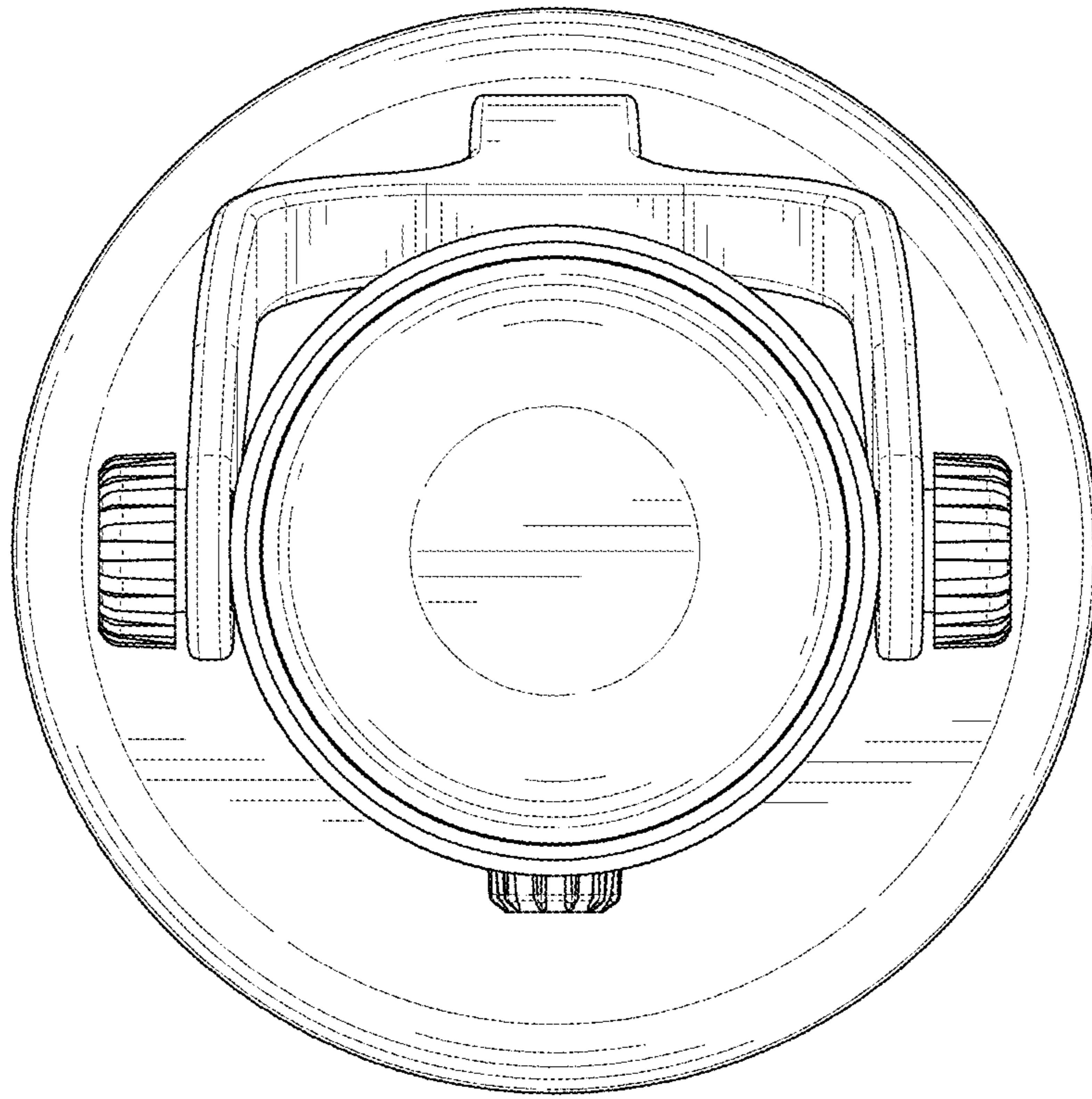


FIG. 7

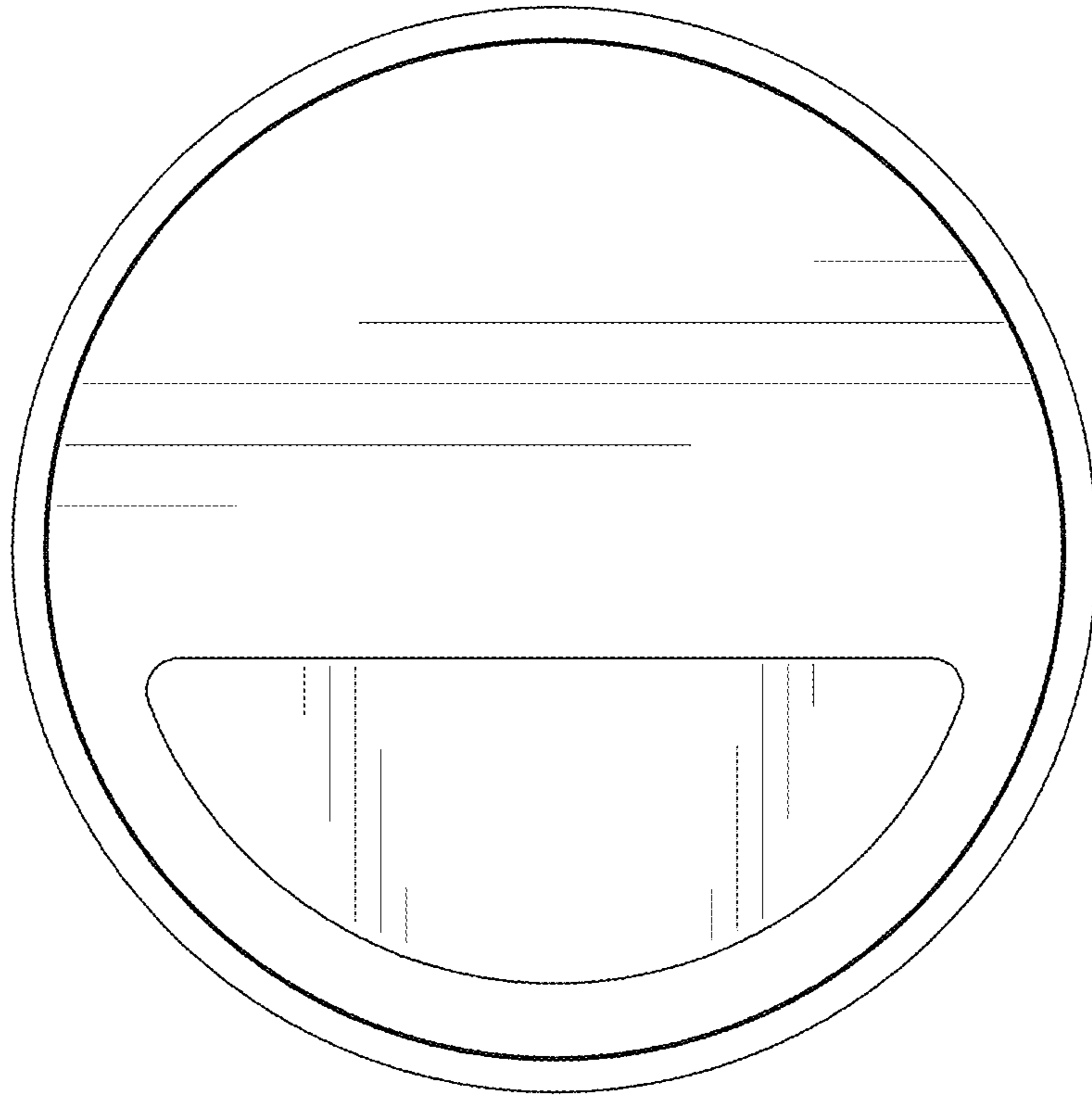


FIG. 8