



US00D960875S

(12) **United States Design Patent**  
**Mai**

(10) **Patent No.:** **US D960,875 S**

(45) **Date of Patent:** **\*\* \*Aug. 16, 2022**

(54) **MICROPHONE**

(71) Applicant: **SHENZHEN XUNWEIJIA TECHNOLOGY DEVELOPMENT CO., LTD.**, Longhua District Shenzhen (CN)

(72) Inventor: **Qibin Mai**, Shenzhen (CN)

(\*) Notice: This patent is subject to a terminal disclaimer.

(\*\*) Term: **15 Years**

(21) Appl. No.: **29/773,625**

(22) Filed: **Mar. 10, 2021**

(51) **LOC (13) Cl.** ..... **14-01**

(52) **U.S. Cl.**  
USPC ..... **D14/227; D14/229**

(58) **Field of Classification Search**  
USPC ..... D14/227, 228, 226, 229, 154, 155, 158, D14/160, 172, 225; D16/244; D17/99; 248/125.1, 166, 185.1; 381/361, 363, 381/362, 365, 366, 355, 375, 359, 369  
CPC ..... H04R 25/00; H04R 9/08; H04R 19/02; H04R 19/04; H04R 11/04; H04R 3/00; H04R 1/08; H04R 1/20; H04R 1/02; F16M 11/10

See application file for complete search history.

(56) **References Cited**

**U.S. PATENT DOCUMENTS**

- 1,881,990 A \* 10/1932 Zitzer ..... A45B 17/00 403/92
- 2,459,676 A \* 1/1949 Axtell ..... F16M 11/2014 248/183.1
- 2,767,989 A \* 10/1956 Dewey ..... F16M 13/00 279/48
- D179,540 S \* 1/1957 Knechtsberger ..... D14/227

- 2,790,617 A \* 4/1957 Harland ..... G01K 1/14 248/278.1
  - D194,151 S \* 11/1962 Deschamps ..... D14/228
  - D213,567 S \* 3/1969 Kahn ..... D14/228
  - D233,669 S \* 11/1974 Plice ..... D14/228
  - 3,924,083 A \* 12/1975 Hagey ..... H04R 1/08 248/596
  - 4,034,946 A \* 7/1977 Zimmer, Jr. .... F21V 21/30 248/183.2
  - D250,221 S \* 11/1978 Clark ..... D17/22
  - 4,606,525 A \* 8/1986 Lombardi ..... G10D 13/063 248/460
  - 4,671,479 A \* 6/1987 Johnson ..... F16M 11/16 248/173
  - D302,158 S \* 7/1989 Kubota ..... D14/225
- (Continued)

**FOREIGN PATENT DOCUMENTS**

- CN 306531498 \* 5/2021
  - CN 306760861 \* 8/2021
- (Continued)

*Primary Examiner* — Paula Allen Greene

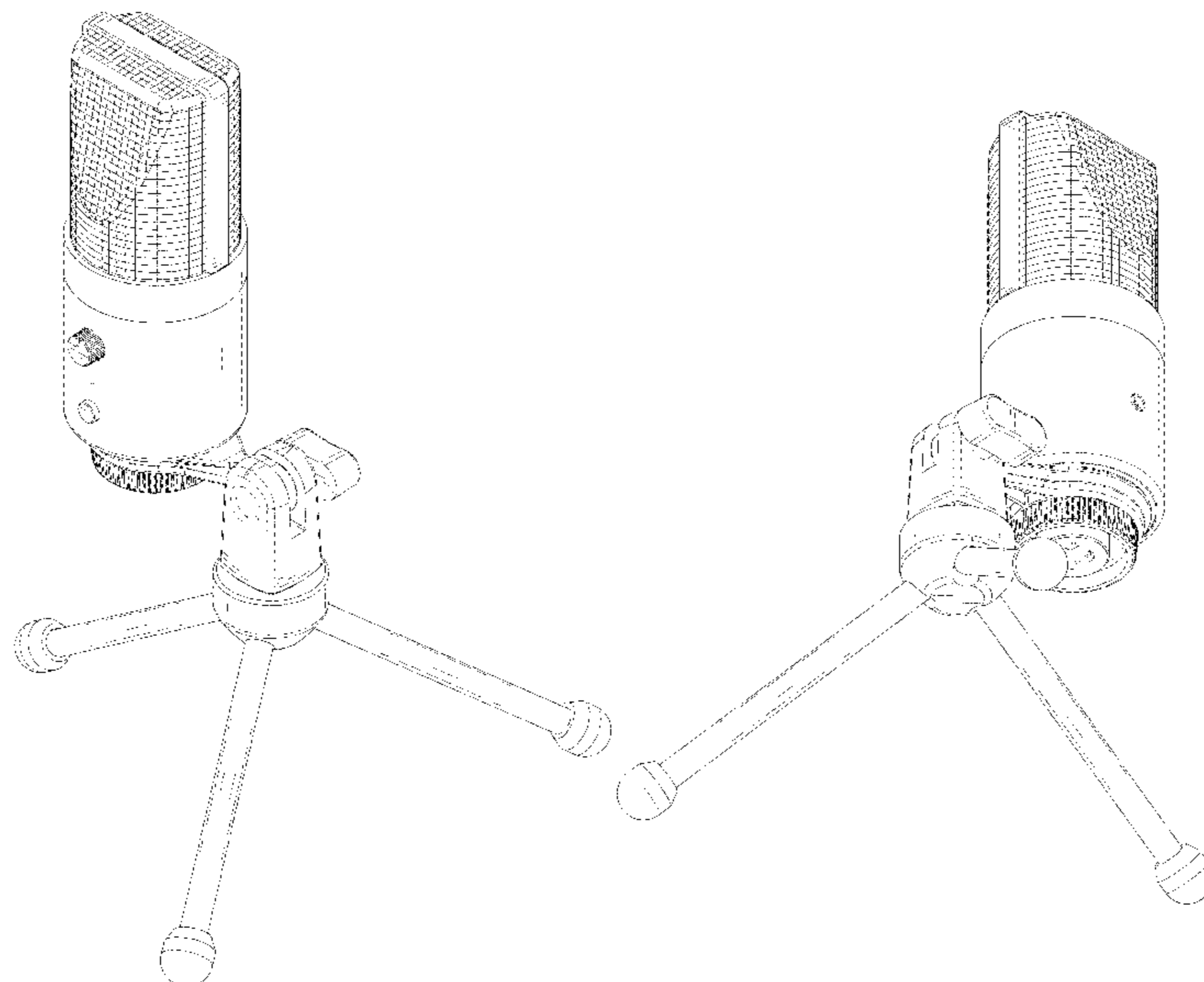
(57) **CLAIM**

The ornamental design for a microphone, as shown and described.

**DESCRIPTION**

FIG. 1 is a front, right side, top perspective view of a microphone showing my new design;  
 FIG. 2 is a rear, left side, bottom perspective view thereof;  
 FIG. 3 is a front elevational view thereof;  
 FIG. 4 is a rear elevational view thereof;  
 FIG. 5 is a left side elevational view thereof;  
 FIG. 6 is a right side elevational view thereof;  
 FIG. 7 is a top plan view thereof; and,  
 FIG. 8 is a bottom plan view thereof; and,  
 The broken lines depict portions of the microphone that form no part of the claimed design.

**1 Claim, 8 Drawing Sheets**



(56)

References Cited

U.S. PATENT DOCUMENTS

4,929,113 A \* 5/1990 Sheu ..... F16C 11/045  
403/157  
5,037,057 A \* 8/1991 Andrews ..... A47B 19/002  
248/460  
5,154,382 A \* 10/1992 Hoshino ..... F16C 11/103  
248/185.1  
5,357,577 A \* 10/1994 Waji ..... H01J 7/24  
361/704  
5,684,452 A \* 11/1997 Wang ..... B60Q 7/00  
248/188.6  
5,713,553 A \* 2/1998 Cooper ..... A47B 19/002  
248/170  
D400,540 S \* 11/1998 Cruver, IV ..... D14/228  
D412,708 S \* 8/1999 Okon ..... D14/228  
6,007,032 A \* 12/1999 Kuo ..... F16M 11/10  
248/125.1  
6,219,429 B1 \* 4/2001 Chung ..... H04R 1/08  
248/324  
D447,131 S \* 8/2001 Hough ..... D14/228  
D448,364 S \* 9/2001 Chung ..... D14/228  
D457,876 S \* 5/2002 Chung ..... D14/228  
D469,278 S \* 1/2003 Lippert ..... D17/13  
D475,038 S \* 5/2003 Jarodsky ..... D14/228  
D475,039 S \* 5/2003 Thornton ..... D14/228  
D516,546 S \* 3/2006 Sobol ..... D14/228  
D529,484 S \* 10/2006 Probst ..... D14/228  
D533,578 S \* 12/2006 Oka ..... D16/244  
D563,396 S \* 3/2008 Probst ..... D14/228  
D579,928 S \* 11/2008 Murata ..... D14/229  
D594,856 S \* 6/2009 Marshall ..... D14/228  
D604,274 S \* 11/2009 Durrett ..... D14/228  
D605,183 S \* 12/2009 Fleischer ..... D14/227  
7,703,733 B2 \* 4/2010 Price ..... F16M 11/2064  
248/288.31  
D643,024 S \* 8/2011 Goodman ..... D14/227  
D643,230 S \* 8/2011 Hepeng ..... D6/708.25

D673,204 S \* 12/2012 Bae ..... D16/244  
D687,421 S \* 8/2013 Slaton ..... D14/229  
D704,486 S \* 5/2014 Cho ..... D6/708.25  
D746,797 S \* 1/2016 Chen ..... D14/228  
D774,494 S \* 12/2016 Sunwoo ..... D14/227  
9,877,113 B2 \* 1/2018 Akino ..... H04R 7/122  
D834,004 S \* 11/2018 Chen ..... D14/226  
D835,612 S \* 12/2018 Tong ..... D14/225  
D836,090 S \* 12/2018 Li ..... D14/227  
D836,615 S \* 12/2018 Su ..... D14/226  
D839,856 S \* 2/2019 Chen ..... D14/228  
D842,278 S \* 3/2019 Tong ..... D14/227  
D842,846 S \* 3/2019 Mai ..... D14/225  
D848,404 S \* 5/2019 Chen ..... D14/227  
D849,721 S \* 5/2019 Chen ..... D14/227  
D850,423 S \* 6/2019 Chen ..... D14/227  
D851,073 S \* 6/2019 Tong ..... D14/227  
D864,921 S 10/2019 Mai  
D864,922 S \* 10/2019 Mai ..... D14/227  
D899,407 S 10/2020 Mai  
D910,605 S 2/2021 Renwick  
D917,429 S \* 4/2021 Xiang ..... D14/225  
D917,430 S \* 4/2021 Mai ..... D14/225  
D917,432 S \* 4/2021 Mai ..... D14/227  
D918,184 S \* 5/2021 Xiang ..... D14/225  
D918,186 S \* 5/2021 Mai ..... D14/227  
D918,876 S \* 5/2021 Mai ..... D14/227  
D929,973 S \* 9/2021 Mai ..... D14/227  
D933,640 S \* 10/2021 Zhou ..... D14/225  
D946,556 S \* 3/2022 Mai ..... D14/228  
2010/0208929 A1 \* 8/2010 Heil ..... H04R 11/04  
381/355

FOREIGN PATENT DOCUMENTS

CN 307026868 \* 12/2021  
EM 008549521-0001 \* 5/2021  
GB 6138668 \* 5/2021

\* cited by examiner

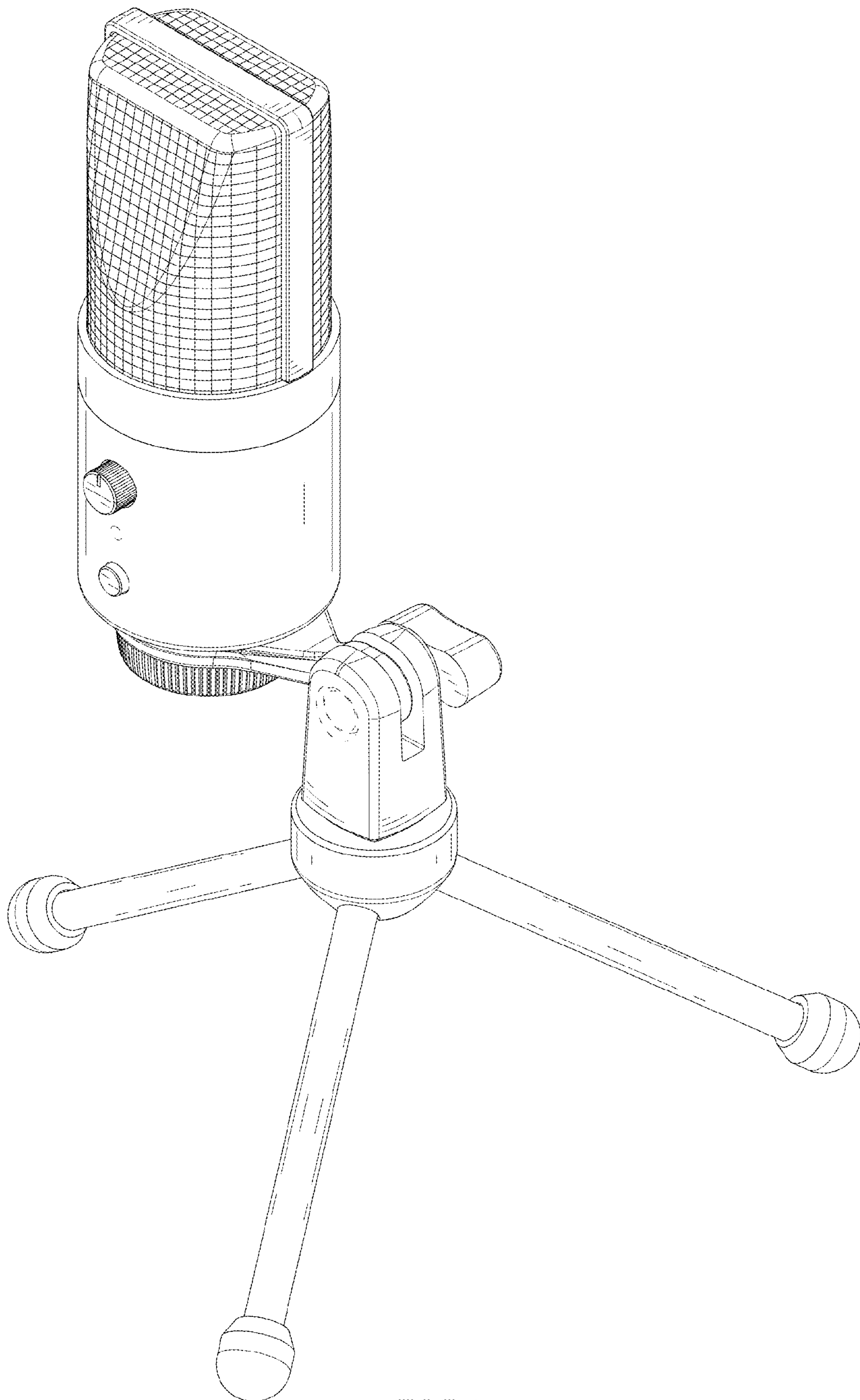


FIG.1



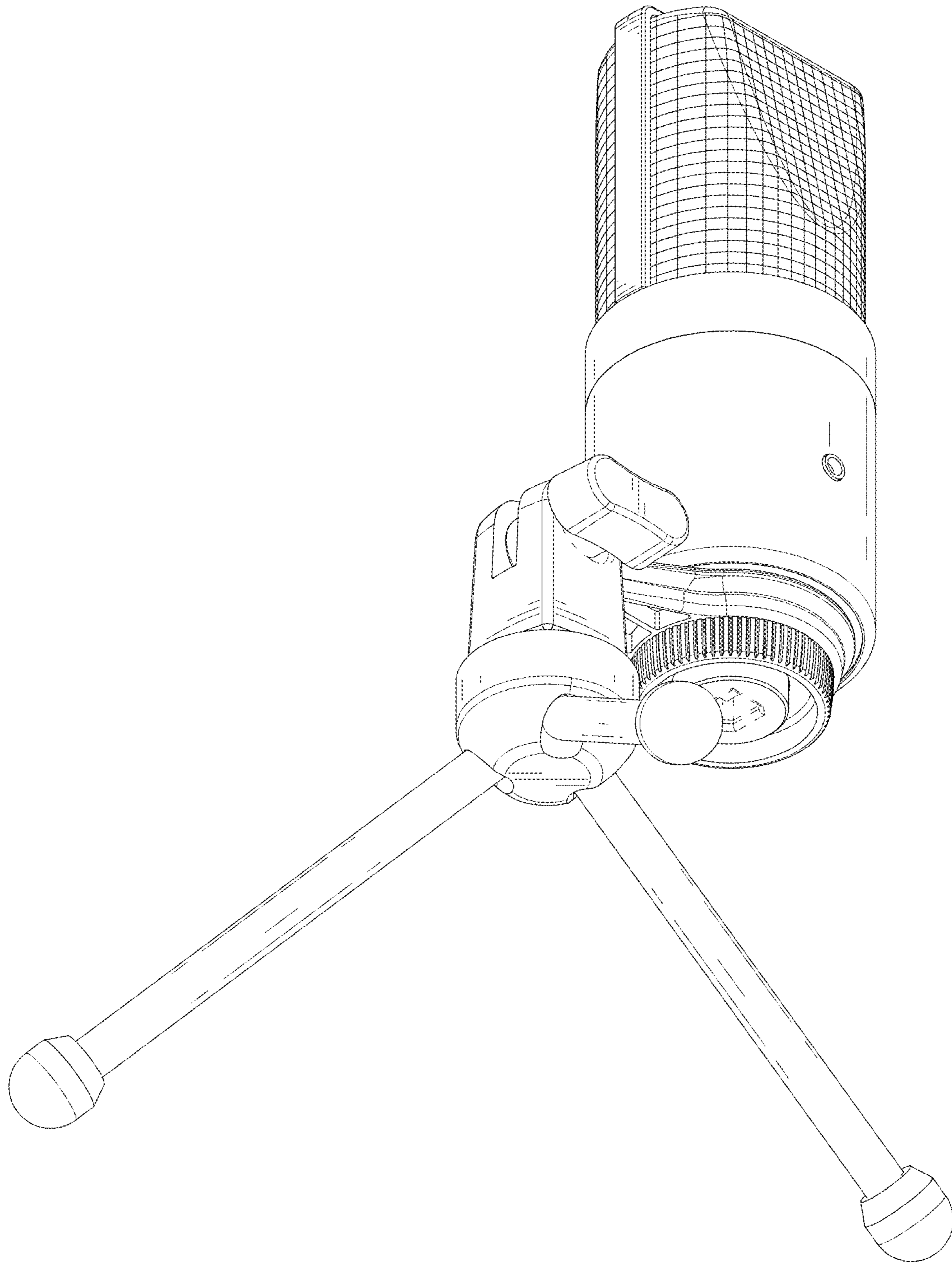


FIG.2

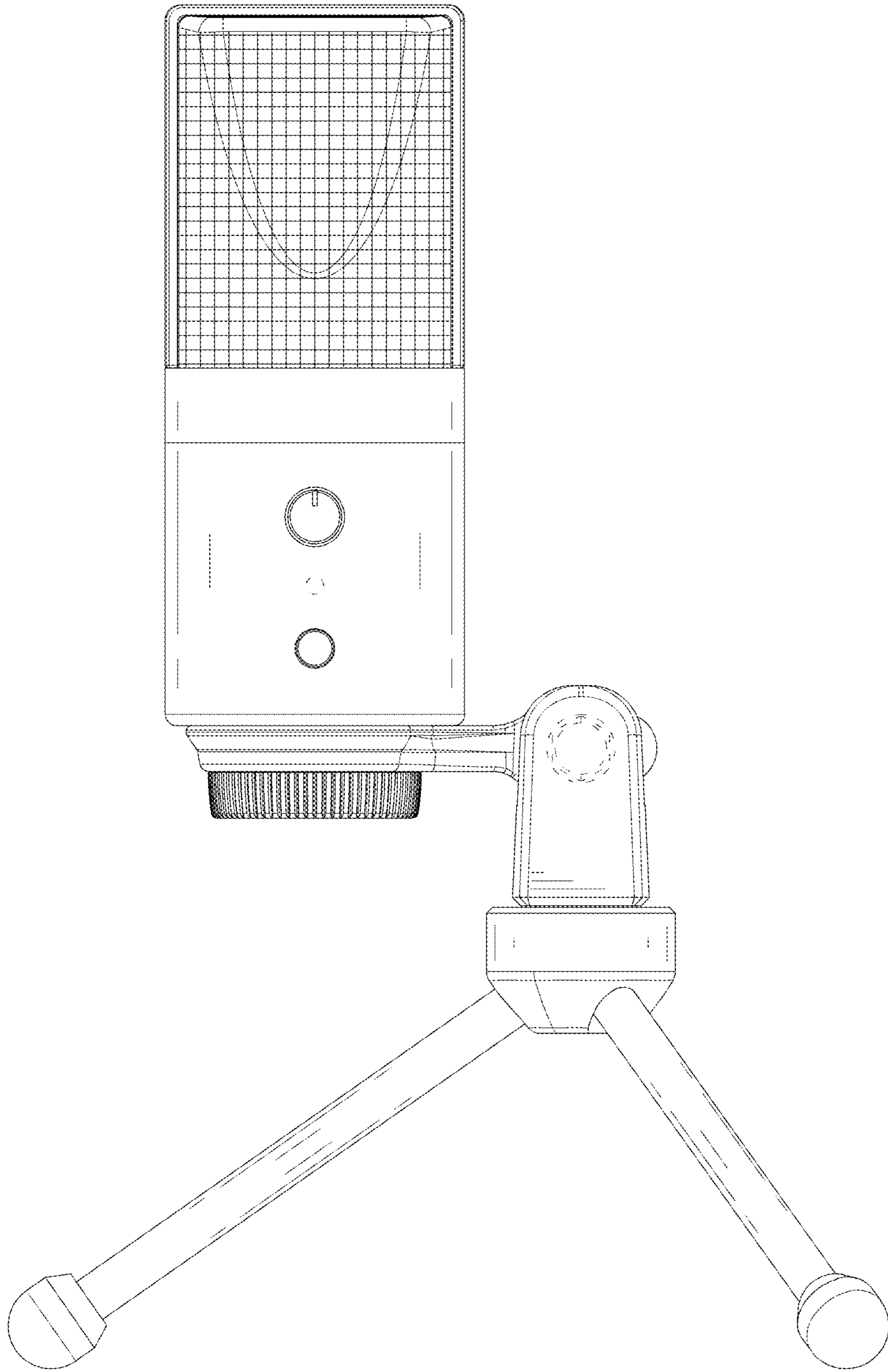


FIG.3

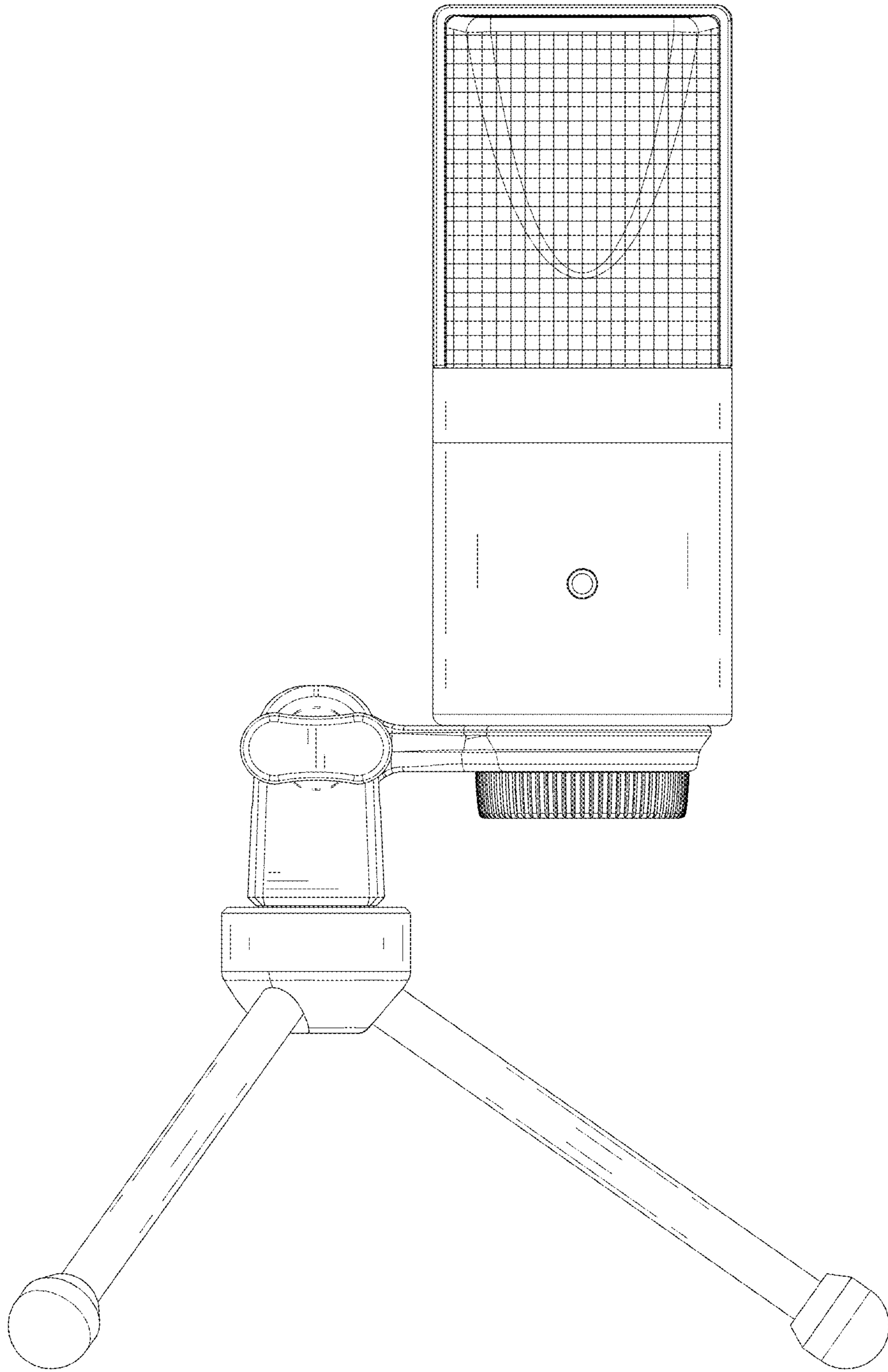


FIG.4

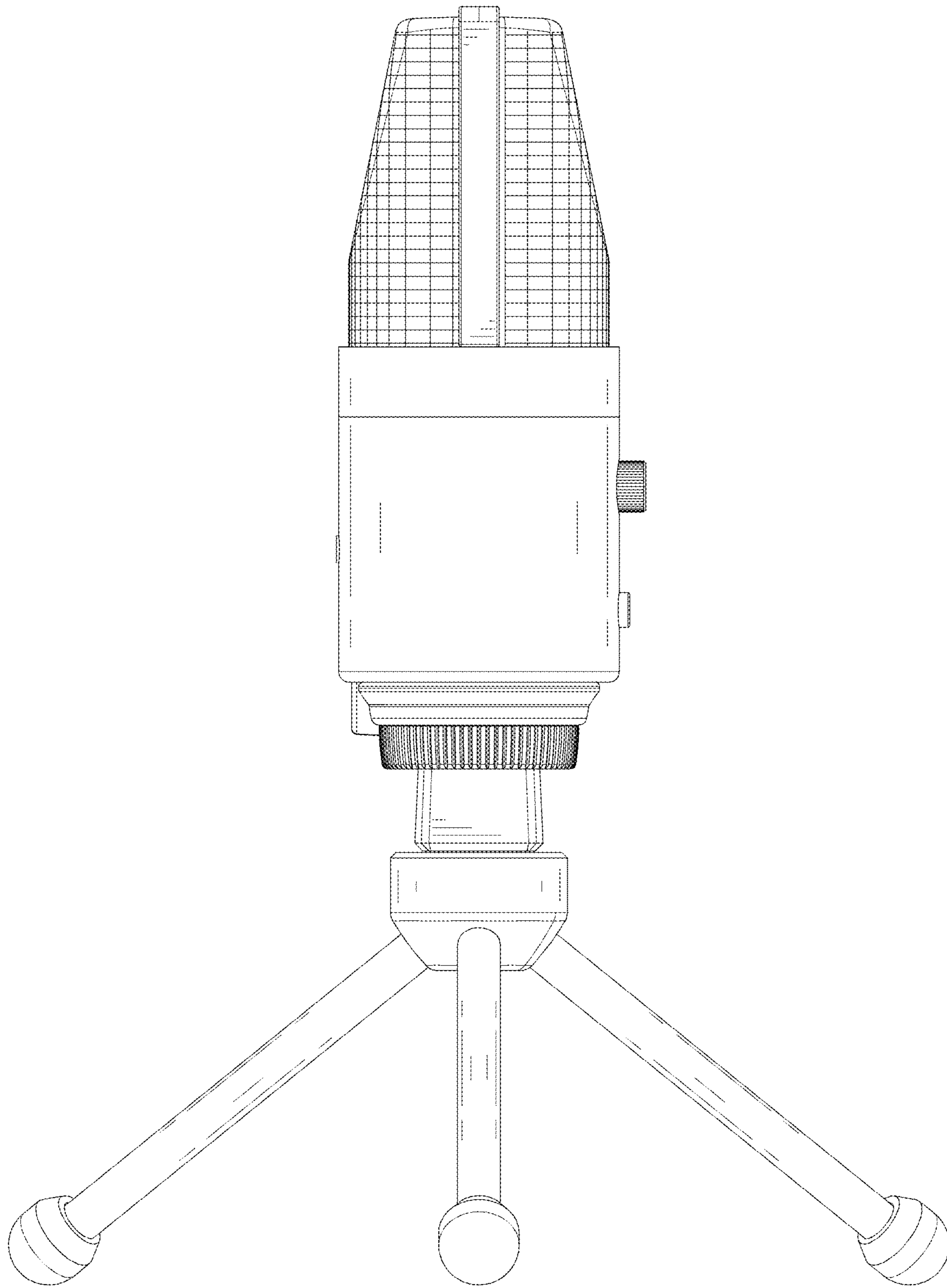


FIG.5

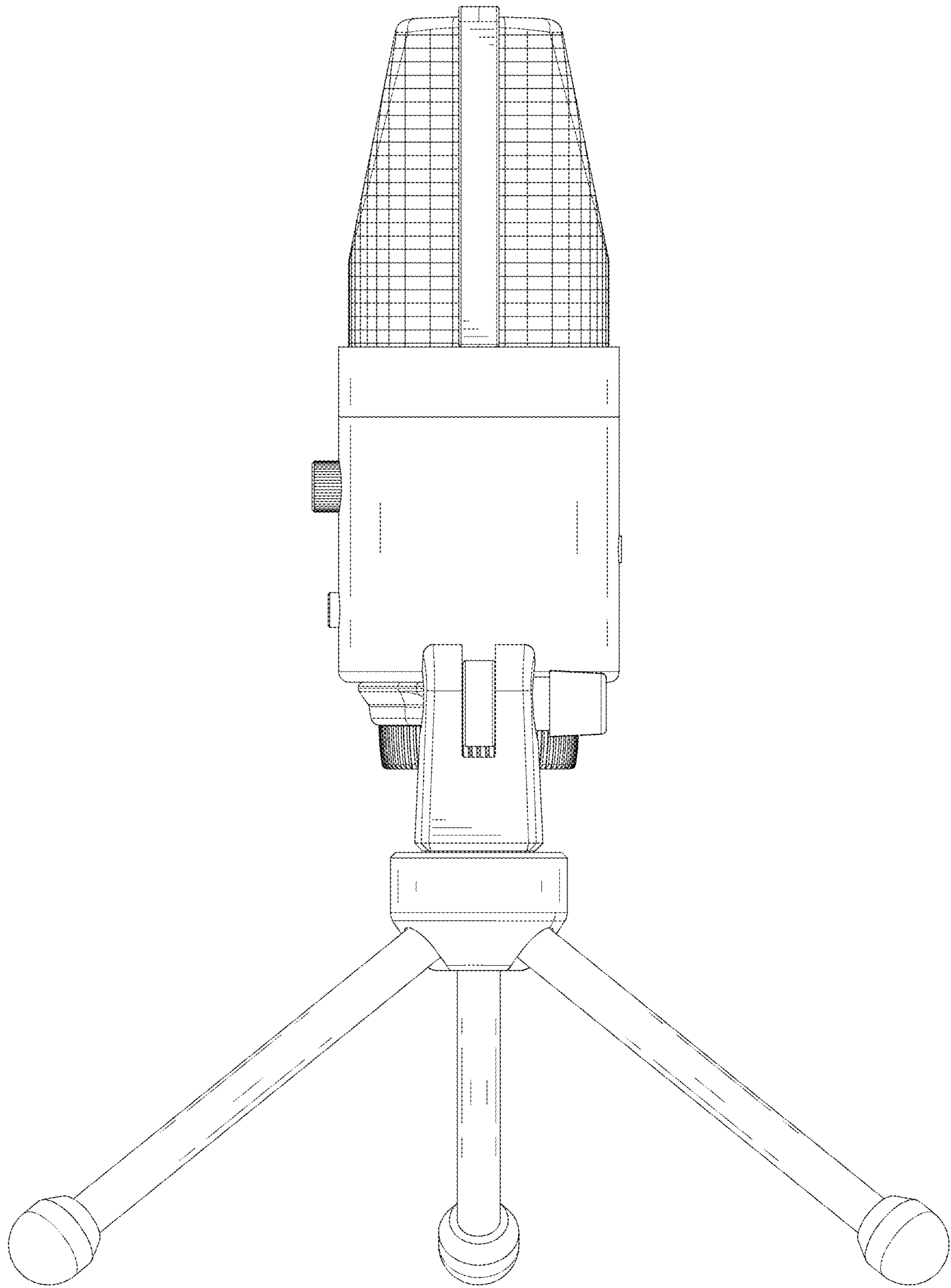


FIG.6



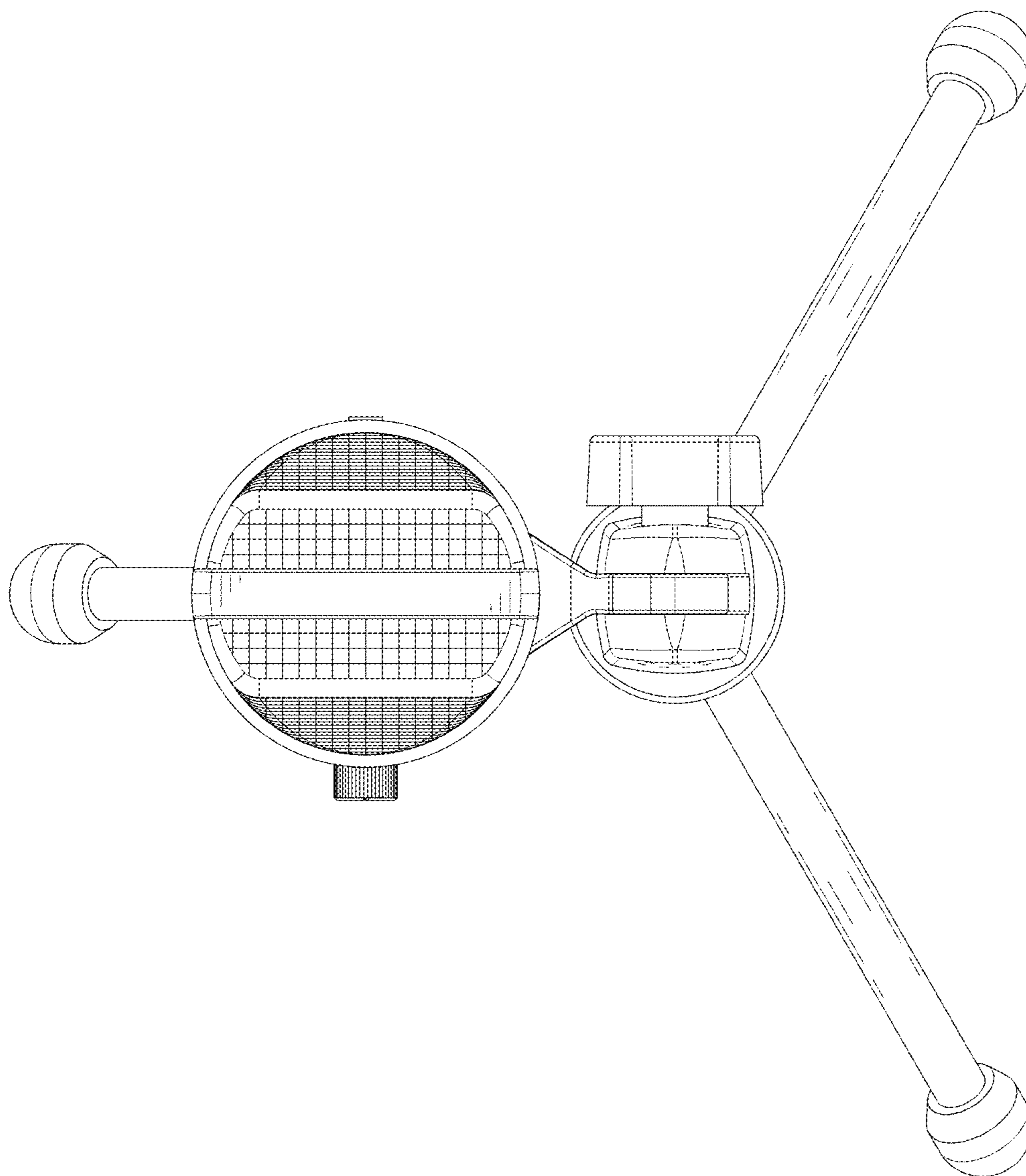


FIG.7

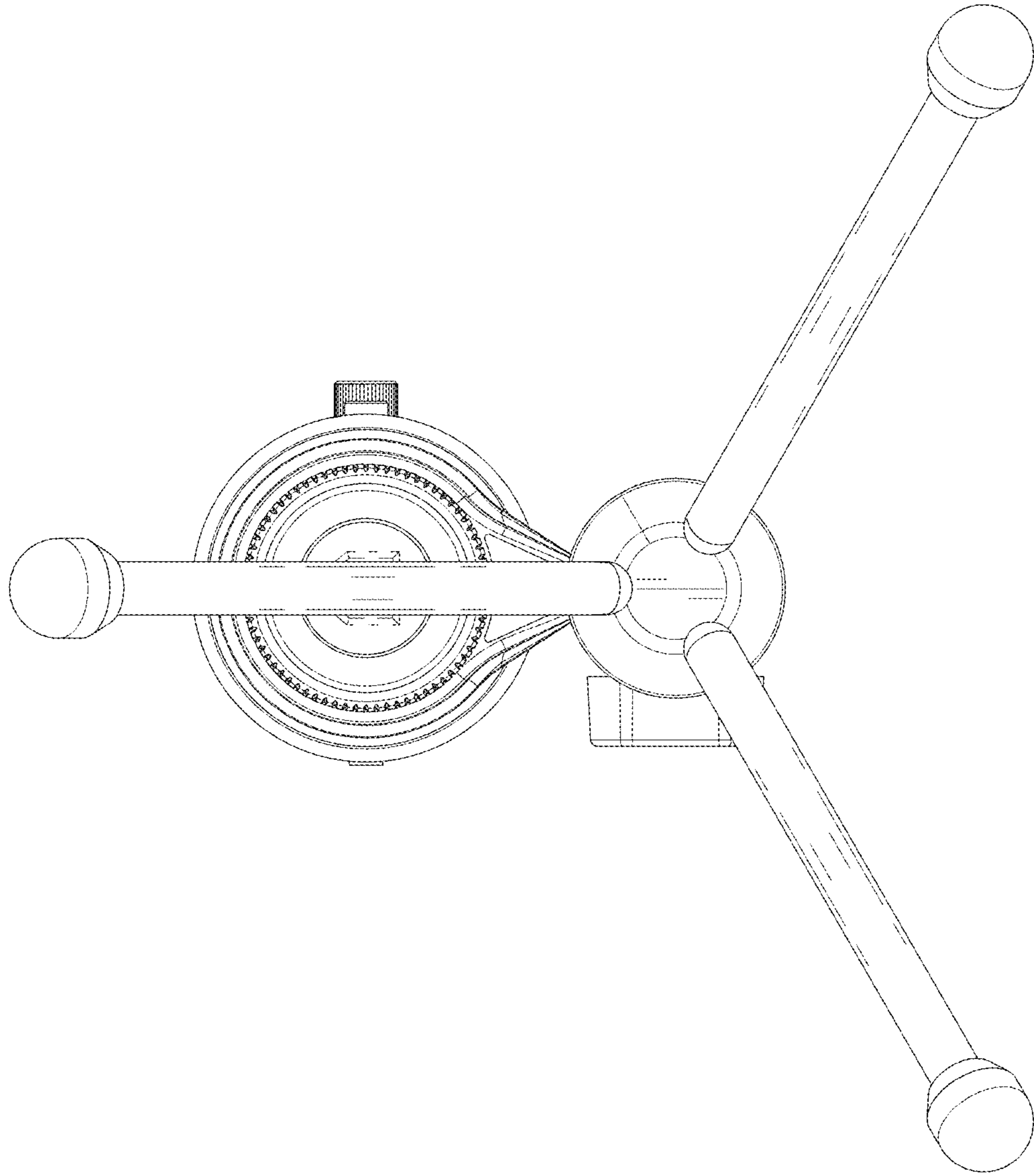


FIG.8