



US00D960872S

(12) **United States Design Patent**
Chen et al.

(10) **Patent No.:** **US D960,872 S**
(45) **Date of Patent:** **** Aug. 16, 2022**

(54) **EARPHONE**

(71) Applicant: **BEIJING XIAOMI MOBILE SOFTWARE CO., LTD.**, Beijing (CN)

(72) Inventors: **Hongyu Chen**, Beijing (CN); **Long Chen**, Beijing (CN)

(73) Assignee: **BEIJING XIAOMI MOBILE SOFTWARE CO., LTD.**, Beijing (CN)

(**) Term: **15 Years**

(21) Appl. No.: **29/735,711**

(22) Filed: **May 22, 2020**

(30) **Foreign Application Priority Data**

Nov. 25, 2019 (CN) 201930651748.1

(51) **LOC (13) Cl.** **14-01**

(52) **U.S. Cl.**
USPC **D14/223**

(58) **Field of Classification Search**
USPC D14/223, 205; D24/174; 128/864-866;
381/380, 381, 322, 328; 455/90.3, 575.1,
455/569.1
CPC H04R 1/10; H04R 25/00; H04R 25/02;
H04R 1/1066; H04R 1/1016; H04R
5/033; H04R 5/0335; H04R 1/105; H04R
1/1091

See application file for complete search history.

(56) **References Cited**

U.S. PATENT DOCUMENTS

D582,897 S * 12/2008 Christopher D14/223
D585,430 S * 1/2009 Kim D14/223
D588,113 S * 3/2009 Bradford D14/223
D590,377 S * 4/2009 Bradford D14/223
D590,378 S * 4/2009 Bradford D14/223
D590,813 S * 4/2009 Bradford D14/223
D603,378 S * 11/2009 Paradise D14/223

D604,722 S * 11/2009 Mistry D14/223
7,664,287 B2 * 2/2010 Neu H04R 3/00
381/381
D620,927 S * 8/2010 Li D14/223
7,778,410 B2 * 8/2010 Liu H04M 1/05
381/381
D628,194 S * 11/2010 Koch D14/223
D629,396 S * 12/2010 Andre D14/223
D636,381 S * 4/2011 Liner D14/223
7,925,037 B2 * 4/2011 Te Riet H04M 1/05
381/381
D640,242 S * 6/2011 Fahrendorff D14/223
D641,739 S * 7/2011 Huang D14/223
D643,420 S * 8/2011 Huang D14/223
(Continued)

FOREIGN PATENT DOCUMENTS

CN 306321265 * 2/2021

Primary Examiner — Paula Allen Greene

(74) *Attorney, Agent, or Firm* — Syncoda LLC; Feng Ma

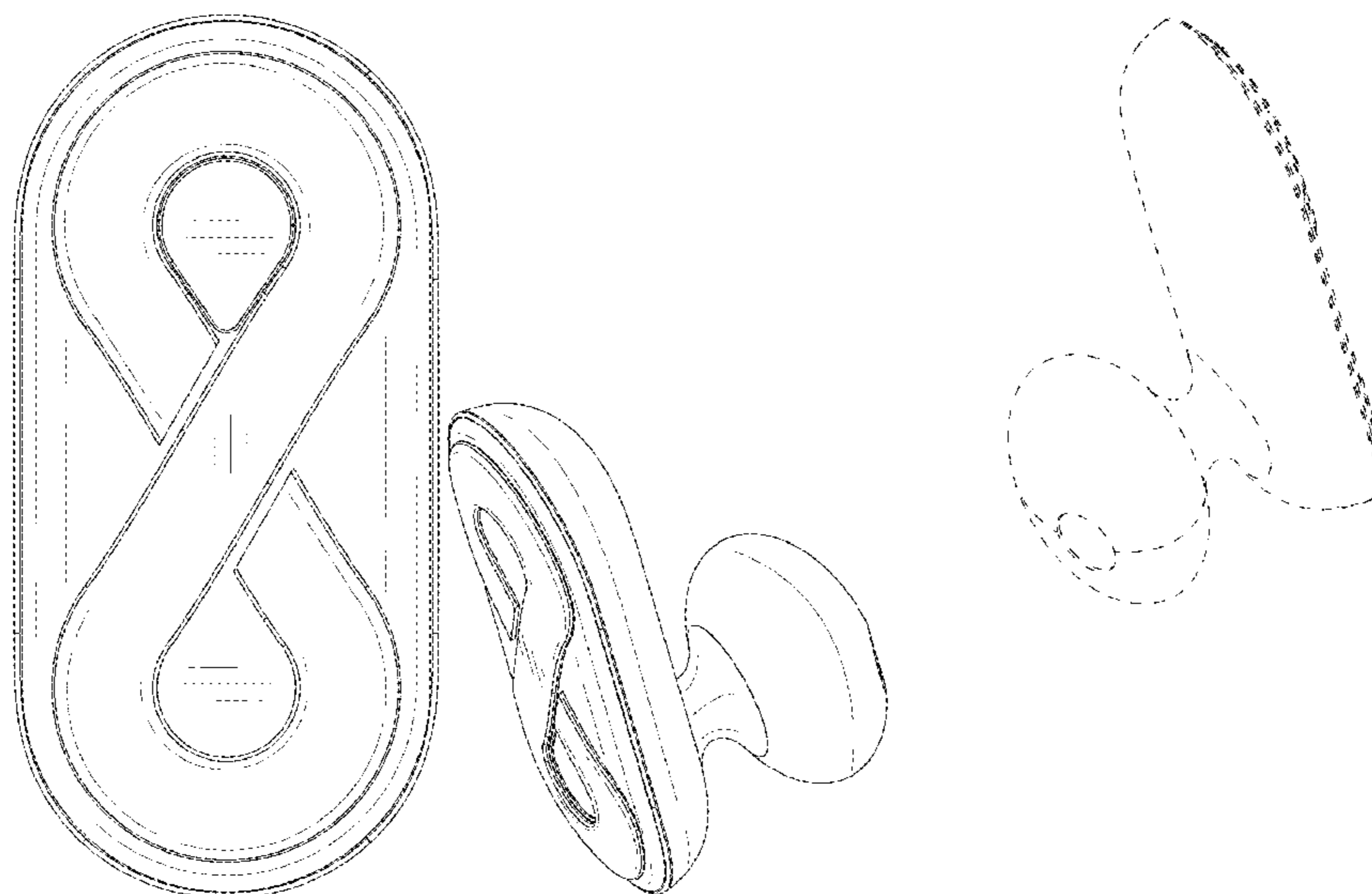
(57) **CLAIM**

The ornamental design for an earphone, as shown and described.

DESCRIPTION

FIG. 1 is a front view of an earphone showing the new design;
FIG. 2 is a back view thereof;
FIG. 3 is a left-side view thereof;
FIG. 4 is a right-side view thereof;
FIG. 5 is a top view thereof;
FIG. 6 is a bottom view thereof;
FIG. 7 is a top, right-side perspective view thereof;
FIG. 8 is a back, left-side, bottom perspective view thereof showing the earphone used in pairs; and,
FIG. 9 is a left-side, bottom perspective view thereof showing the earphone used in pairs.
The broken lines depict portions of the earphone that form no part of the claimed design.

1 Claim, 9 Drawing Sheets



(56)

References Cited

U.S. PATENT DOCUMENTS

D649,957 S * 12/2011 Fahrendorff D14/223
8,098,874 B2 * 1/2012 Lu H04M 1/05
381/381
D656,490 S * 3/2012 Birger D14/223
8,139,808 B2 * 3/2012 Liu H04R 1/1066
381/381
D657,781 S * 4/2012 Yang D14/223
D664,950 S * 8/2012 Rye D14/223
8,285,208 B2 * 10/2012 Terlizzi H04M 1/05
379/433.03
D671,096 S * 11/2012 Song D14/223
D675,600 S * 2/2013 Koch D14/223
D691,120 S * 10/2013 Koch D14/223
D693,796 S * 11/2013 Birger D14/223
D705,751 S * 5/2014 Wenger D14/206
D707,659 S * 6/2014 Henning D14/223
D710,830 S * 8/2014 Birger D14/223
D746,267 S * 12/2015 Birger D14/223
D779,462 S * 2/2017 Birger D14/223
D796,543 S * 9/2017 Broughton D14/489
D820,240 S * 6/2018 Holliday D14/223
D822,712 S * 7/2018 Butcher D14/488
D841,691 S * 2/2019 Rannanjärvi D14/490
D902,186 S * 11/2020 Sun D14/223
2019/0200915 A1 * 7/2019 Baker A61B 5/486

* cited by examiner

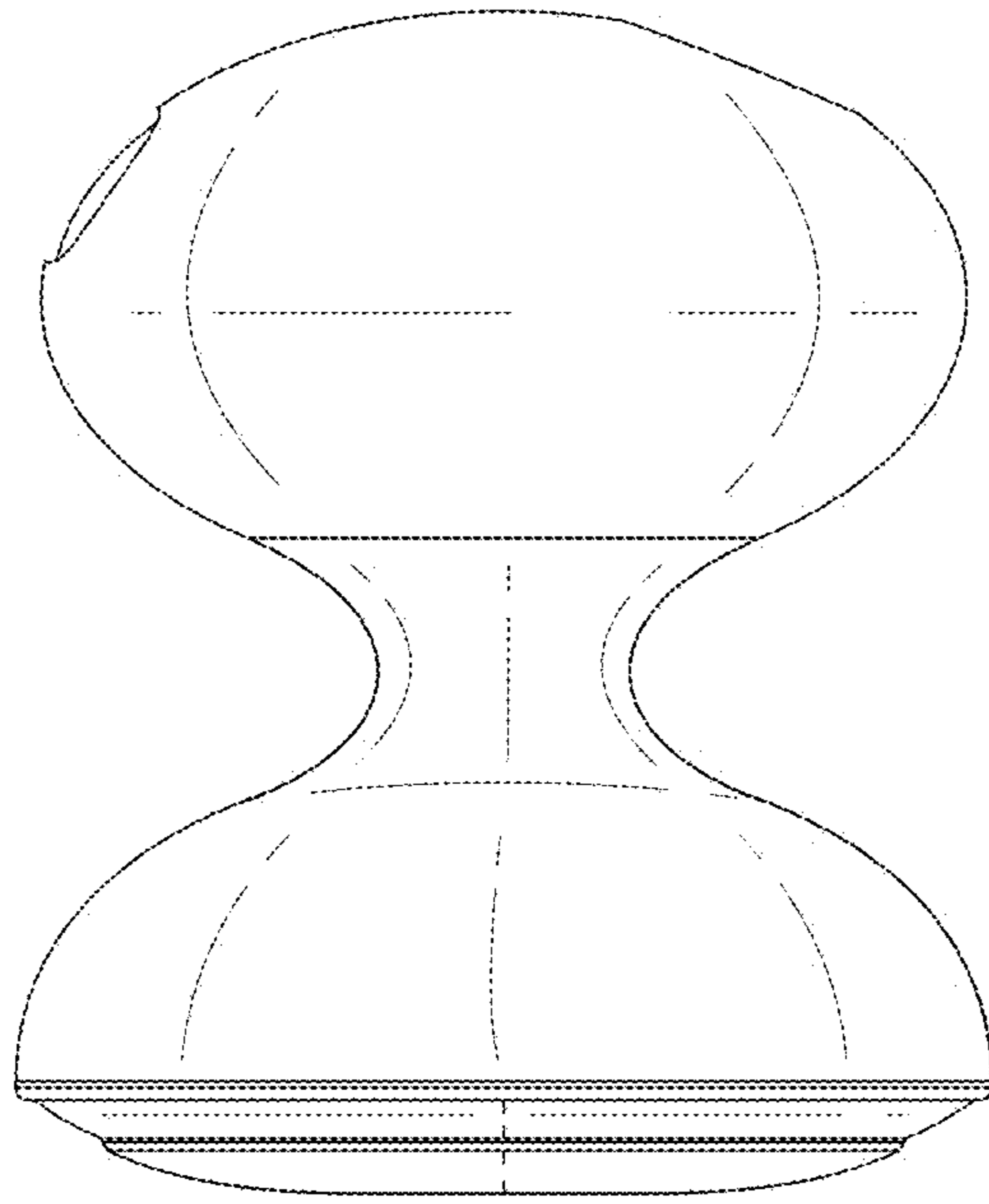


FIG. 1

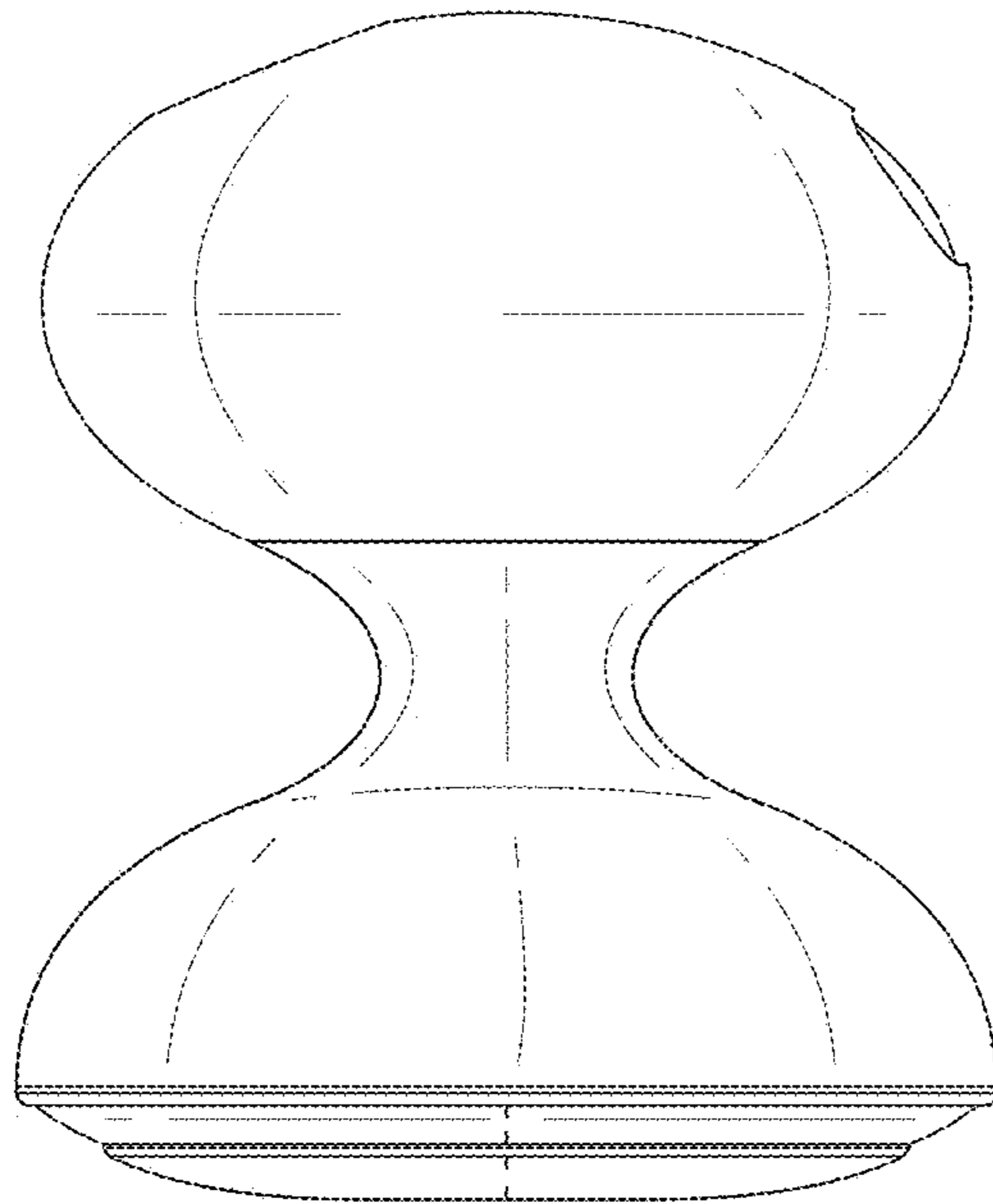


FIG. 2

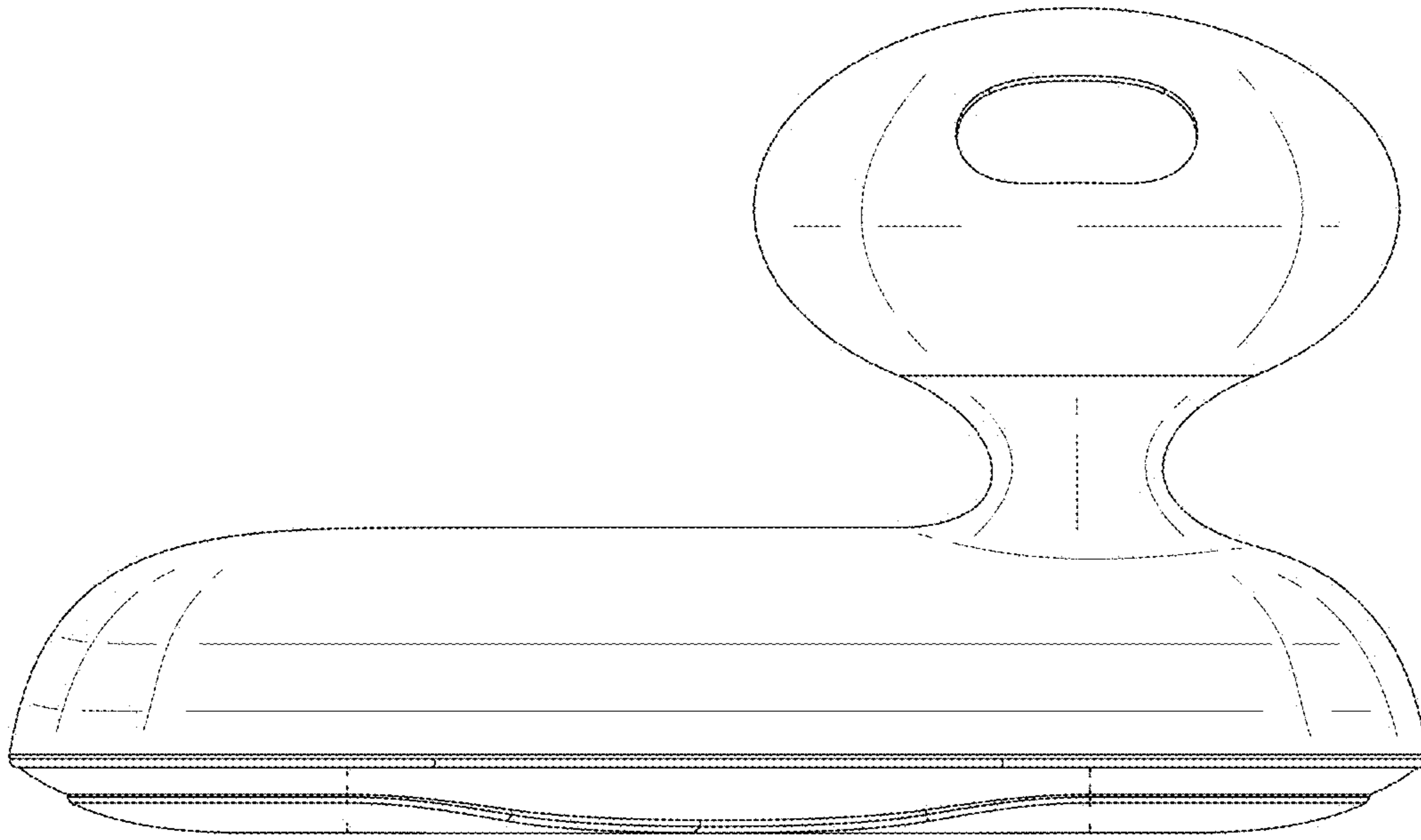


FIG. 3

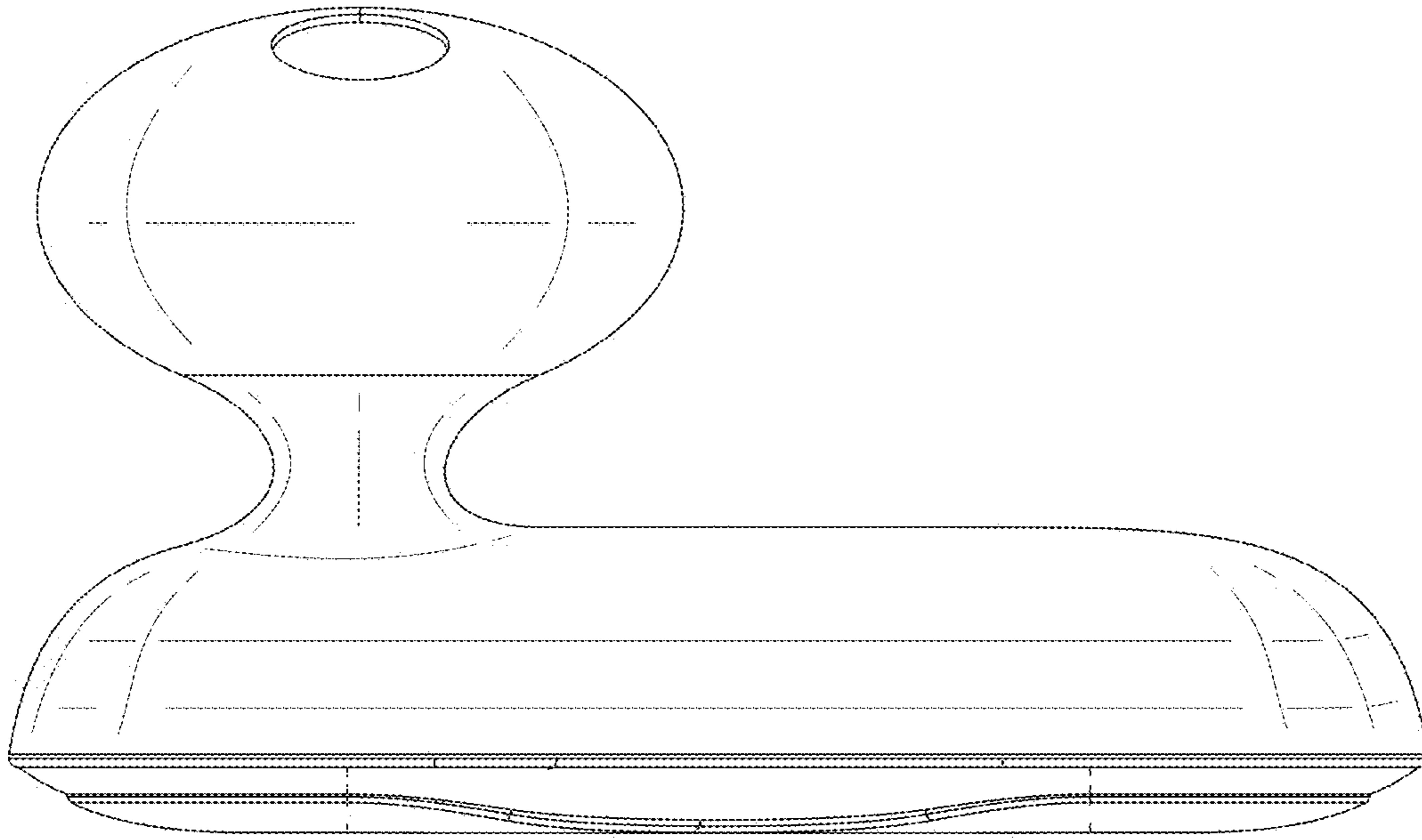


FIG. 4

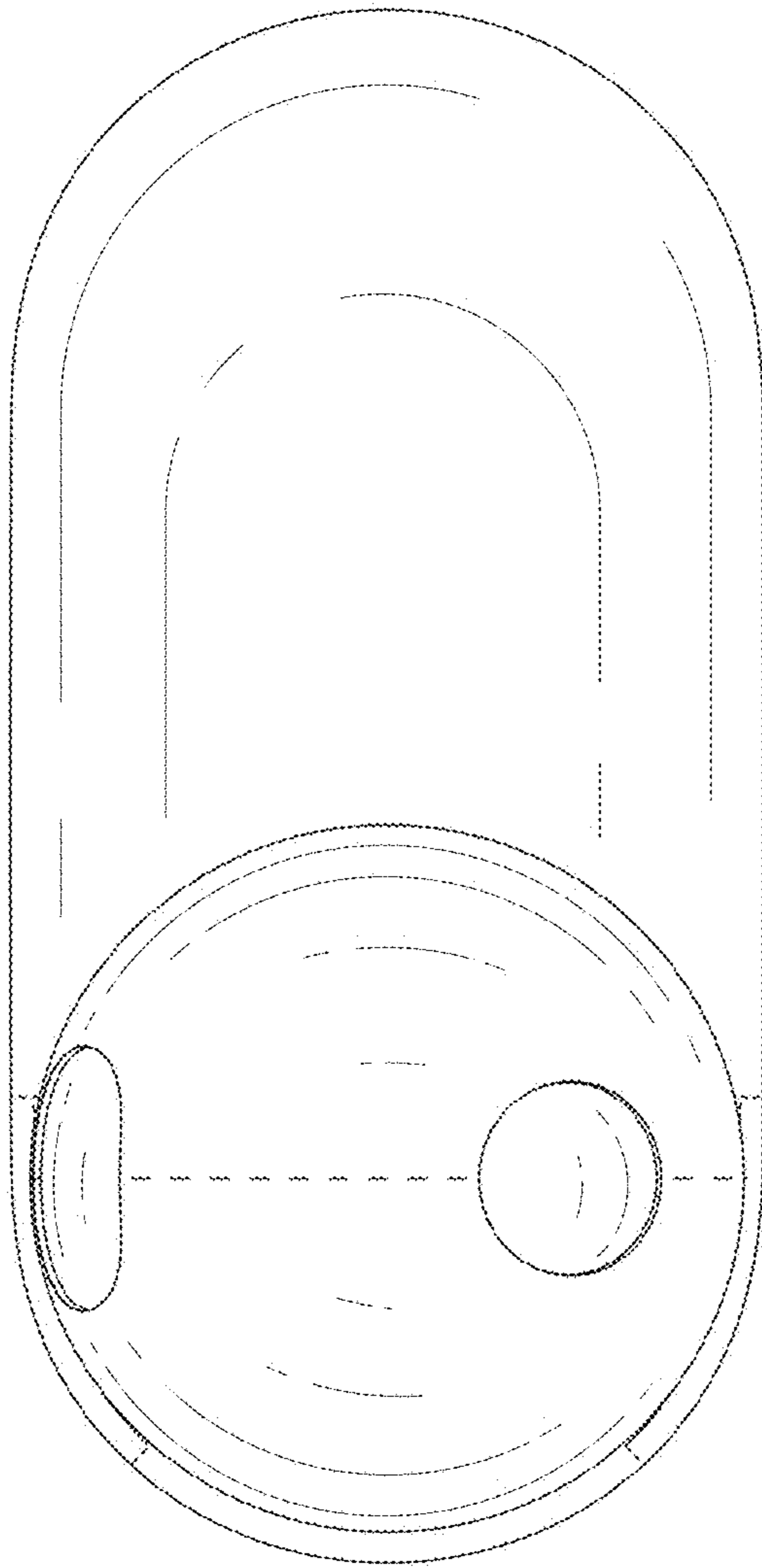


FIG. 5

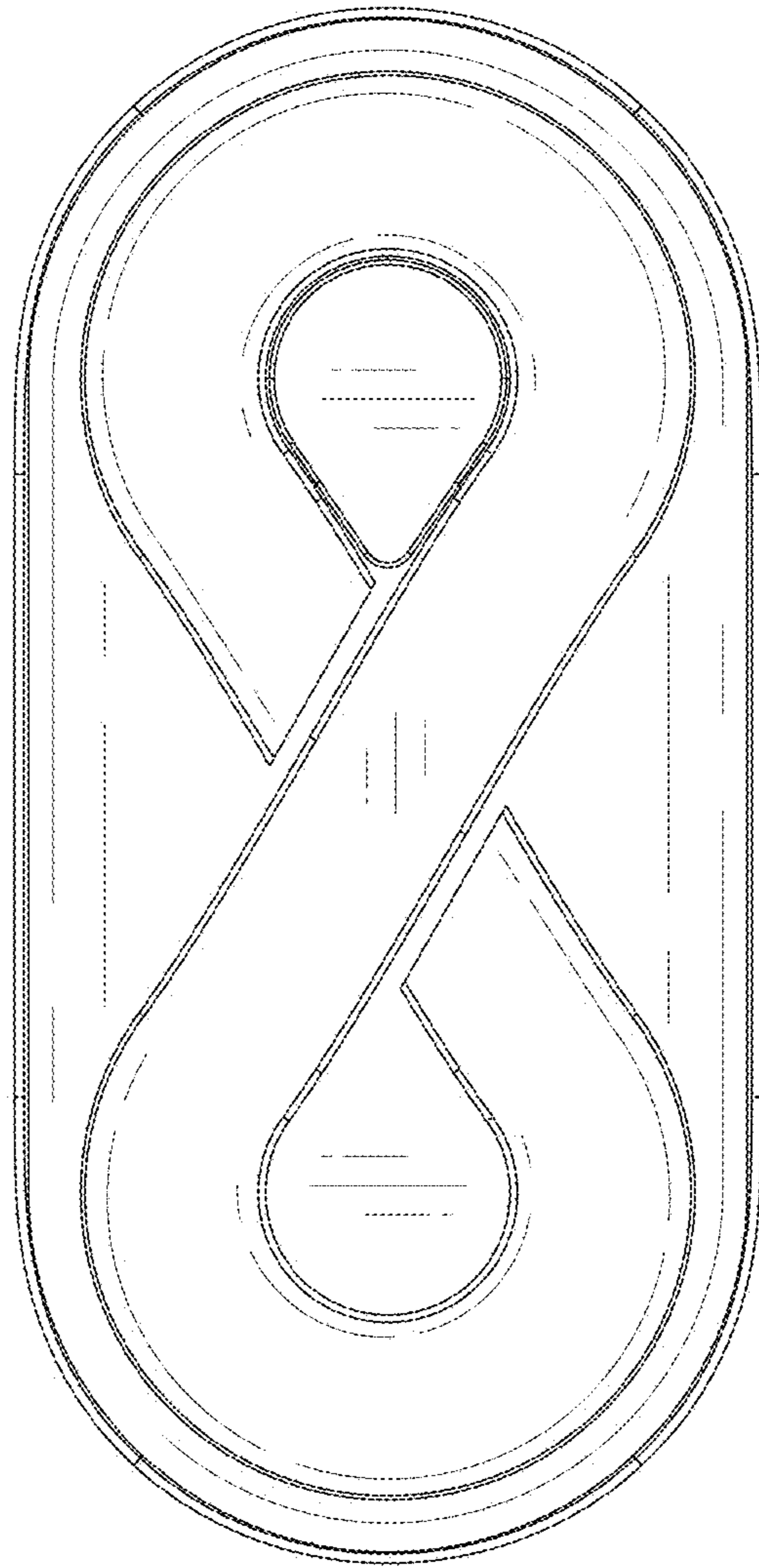


FIG. 6

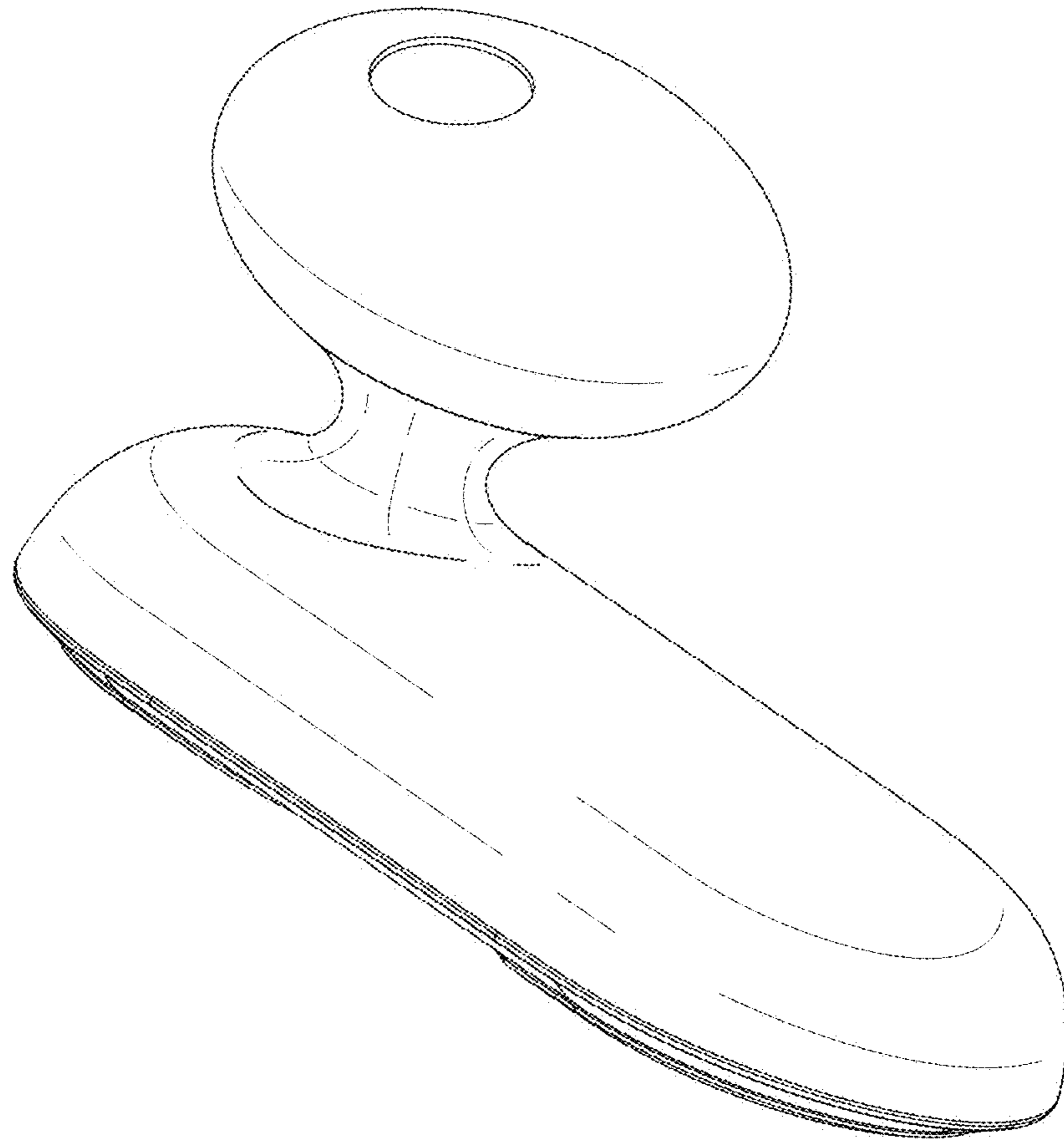


FIG. 7

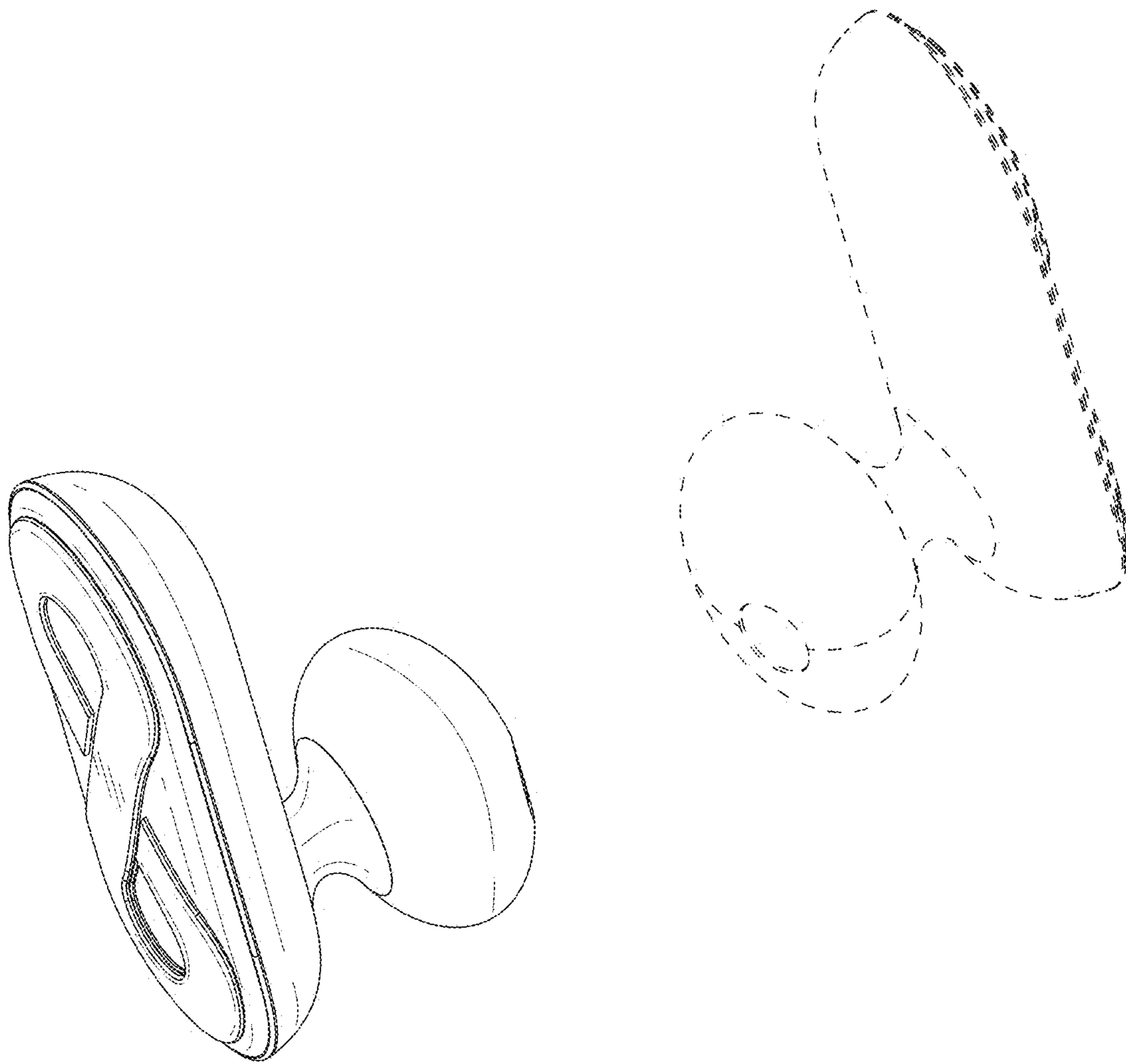


FIG. 8

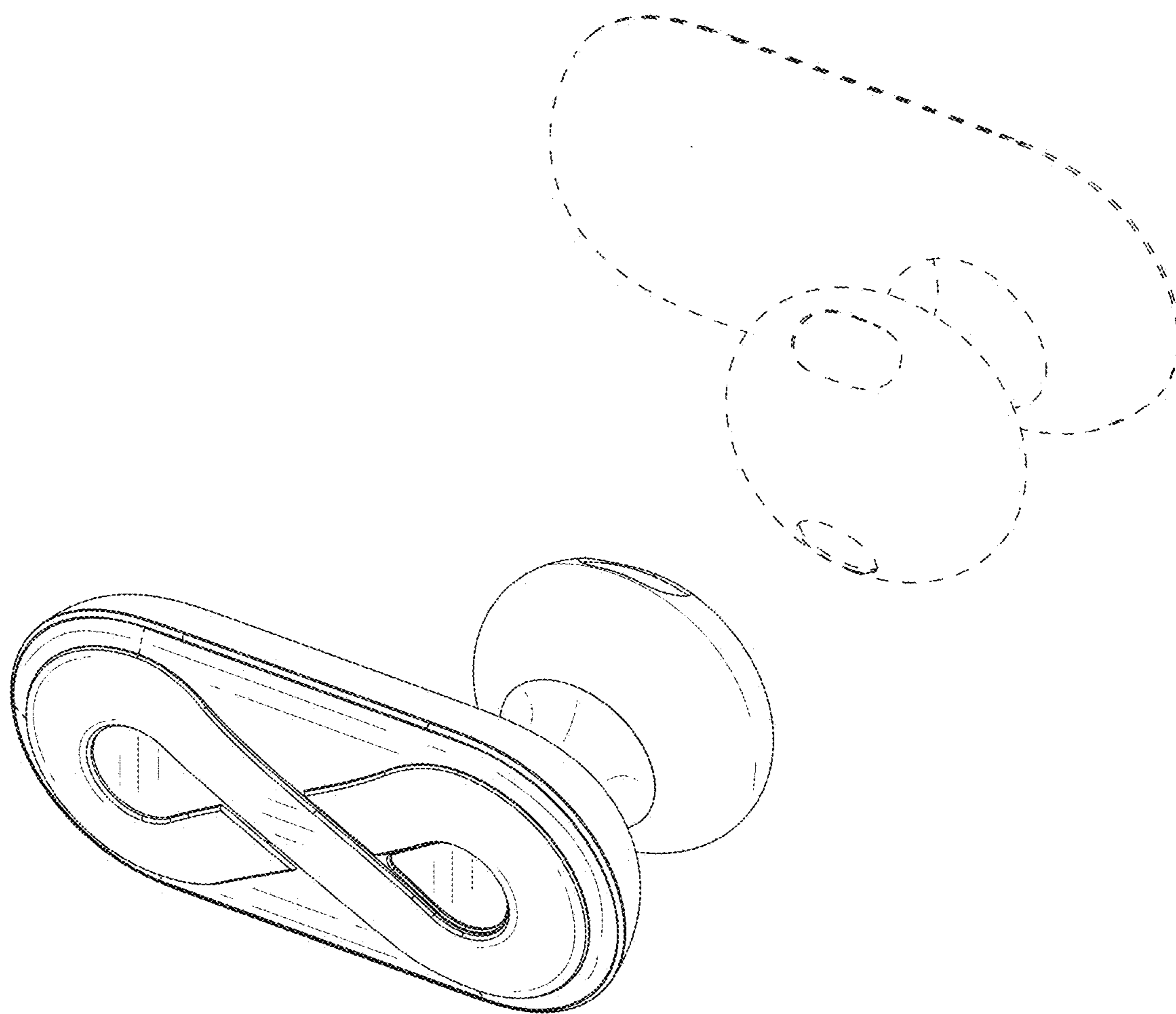


FIG. 9