



US00D960871S

(12) **United States Design Patent**
Rong et al.

(10) **Patent No.:** **US D960,871 S**
(45) **Date of Patent:** **** Aug. 16, 2022**

- (54) **EARPHONE**
- (71) Applicant: **BEIJING EDIFIER TECHNOLOGY CO., LTD**, Beijing (CN)
- (72) Inventors: **Bo Rong**, Beijing (CN); **Yuzhao Liu**, Beijing (CN)
- (73) Assignee: **BEIJING EDIFIER TECHNOLOGY CO., LTD**, Beijing (CN)
- (**) Term: **15 Years**

D718,285 S *	11/2014	Shibusawa	D14/223
8,965,030 B2 *	2/2015	Aase	H04R 1/1016 381/380
D728,533 S *	5/2015	Poulsen	D14/223
D732,007 S *	6/2015	Oksman	D14/223
D732,008 S *	6/2015	Akana	H04R 1/10 D14/223
D733,101 S *	6/2015	Pi	D14/223
D733,689 S *	7/2015	Narita	D14/223
D738,864 S *	9/2015	Lee	D14/223
D741,287 S *	10/2015	Harata	D14/205
D747,295 S *	1/2016	Eastwood	D14/223
D755,759 S *	5/2016	Cai	D14/223
D757,682 S *	5/2016	Perez	D14/205
D770,412 S *	11/2016	Son	D14/205
D780,153 S *	2/2017	Lukic	D14/204

(Continued)

(21) Appl. No.: **29/734,227**

(22) Filed: **May 11, 2020**

(51) **LOC (13) Cl.** **14-01**

(52) **U.S. Cl.**
USPC **D14/223**

(58) **Field of Classification Search**
USPC D14/223, 205; D24/174; 128/864, 865,
128/866; 381/380, 381, 370; 455/90.3,
455/575.1, 569.1
CPC H04R 1/10; H04R 25/00; H04R 1/1066;
H04R 1/1016; H04R 5/033; H04R
5/0335; H04R 1/105; H04R 1/1091;
H04R 1/20

See application file for complete search history.

(56) **References Cited**

U.S. PATENT DOCUMENTS

D681,015 S *	4/2013	Akana	H04R 1/1016 D14/223
D691,594 S *	10/2013	Akana	D14/223
D706,643 S *	6/2014	Akana	D9/721
D707,206 S *	6/2014	Akana	H04R 1/1016 D14/223
D711,857 S *	8/2014	Burgett	D14/223
D712,279 S *	9/2014	Akana	D9/721
D716,771 S *	11/2014	Burgett	D14/223
D718,284 S *	11/2014	Shibusawa	D14/223

FOREIGN PATENT DOCUMENTS

CN	306629252	*	6/2021
CN	306637680	*	6/2021

(Continued)

Primary Examiner — Paula Allen Greene
(74) *Attorney, Agent, or Firm* — Fross Zelnick Lehrman & Zissu, P.C.; Charles T. J. Weigell, Esq.

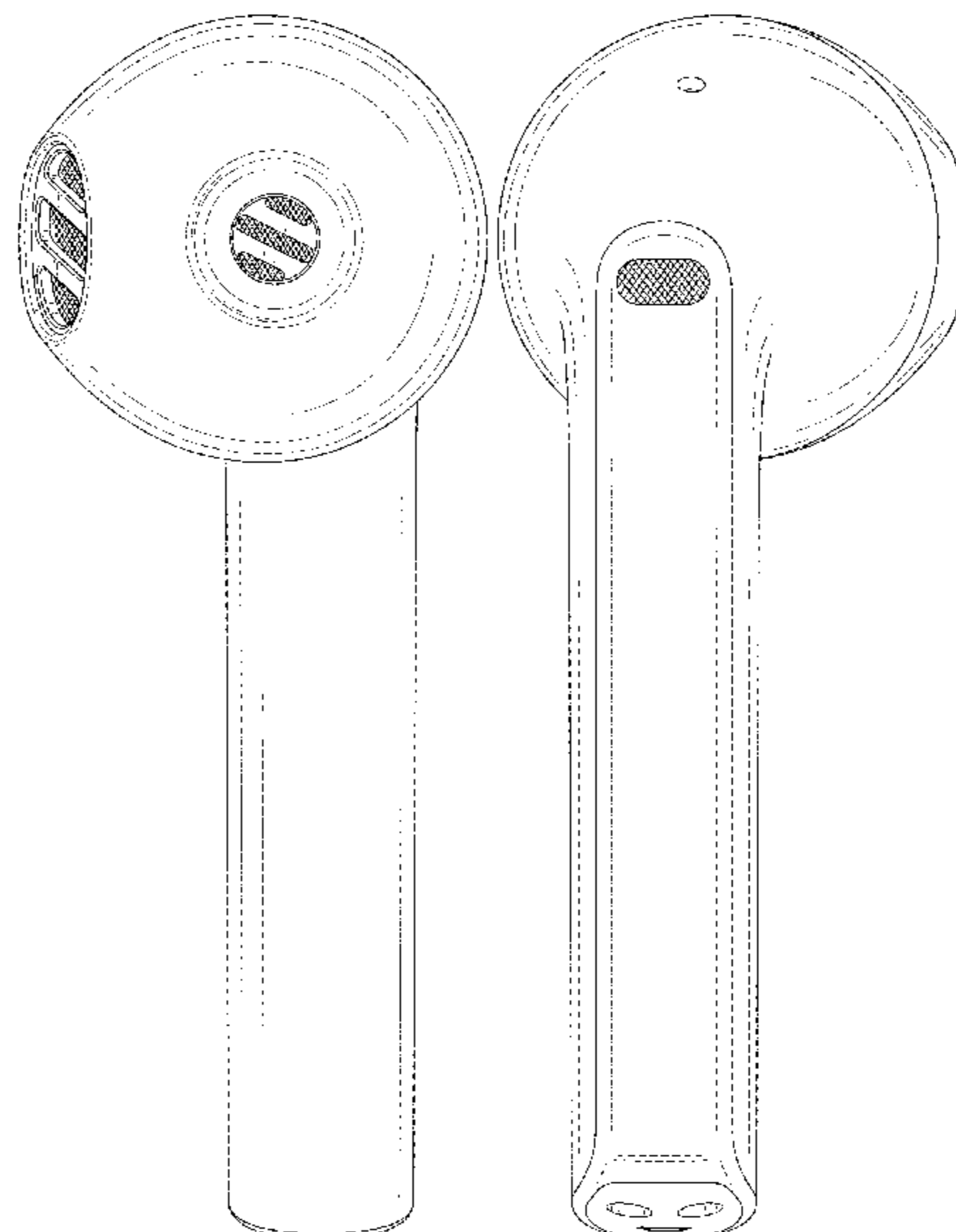
(57) **CLAIM**

The ornamental design for an earphone, as shown and described.

DESCRIPTION

FIG. 1 is a front view of an earphone showing our new design;
FIG. 2 is a back view thereof;
FIG. 3 is a right side view thereof;
FIG. 4 is a left side view thereof;
FIG. 5 is a top view thereof;
FIG. 6 is a bottom view thereof;
FIG. 7 is a back perspective view thereof; and,
FIG. 8 is a front perspective view thereof.

1 Claim, 8 Drawing Sheets



(56)

References Cited

U.S. PATENT DOCUMENTS

D781,268 S * 3/2017 Magi D14/223
 D798,844 S * 10/2017 Nokuo D14/223
 D801,314 S * 10/2017 Akana D14/223
 D820,809 S * 6/2018 Akana D14/205
 D823,835 S * 7/2018 Loermann D14/223
 D828,823 S * 9/2018 Lin D14/223
 D830,345 S * 10/2018 Cai D14/223
 D847,125 S * 4/2019 Akana D14/223
 D853,995 S * 7/2019 Cai D14/223
 D869,445 S * 12/2019 Hu D14/223
 D878,337 S * 3/2020 Yang D14/223
 D883,260 S * 5/2020 Hu D14/223
 D885,373 S * 5/2020 Lundback D14/223
 D887,396 S * 6/2020 Wang D14/223
 D888,691 S * 6/2020 Liu D14/223
 D889,437 S * 7/2020 Ando D14/223
 D889,440 S * 7/2020 Yan D14/223
 D890,138 S * 7/2020 Peng D14/223
 D896,788 S * 9/2020 Akana D14/223
 D900,065 S * 10/2020 Distefano D14/223
 D929,378 S * 8/2021 Li D14/223

D930,621 S * 9/2021 Rong D14/223
 D930,623 S * 9/2021 Liu D14/223
 2012/0155692 A1* 6/2012 Chen H04R 1/1058
 381/380
 2012/0237074 A1* 9/2012 Aase H04R 1/1075
 381/380
 2013/0004011 A1* 1/2013 Hayashida H04R 1/345
 381/380
 2013/0343593 A1* 12/2013 Howes H04R 1/2823
 381/380
 2013/0343595 A1* 12/2013 Zorkendorfer H04R 1/1016
 381/380
 2015/0382100 A1* 12/2015 Azmi H04R 1/2849
 381/380
 2017/0164087 A1* 6/2017 Kurtz H04R 1/105

FOREIGN PATENT DOCUMENTS

CN 306785993 * 8/2021
 CN 306802359 * 9/2021
 CN 306958909 * 11/2021
 EM 008756274-0001 * 11/2021

* cited by examiner

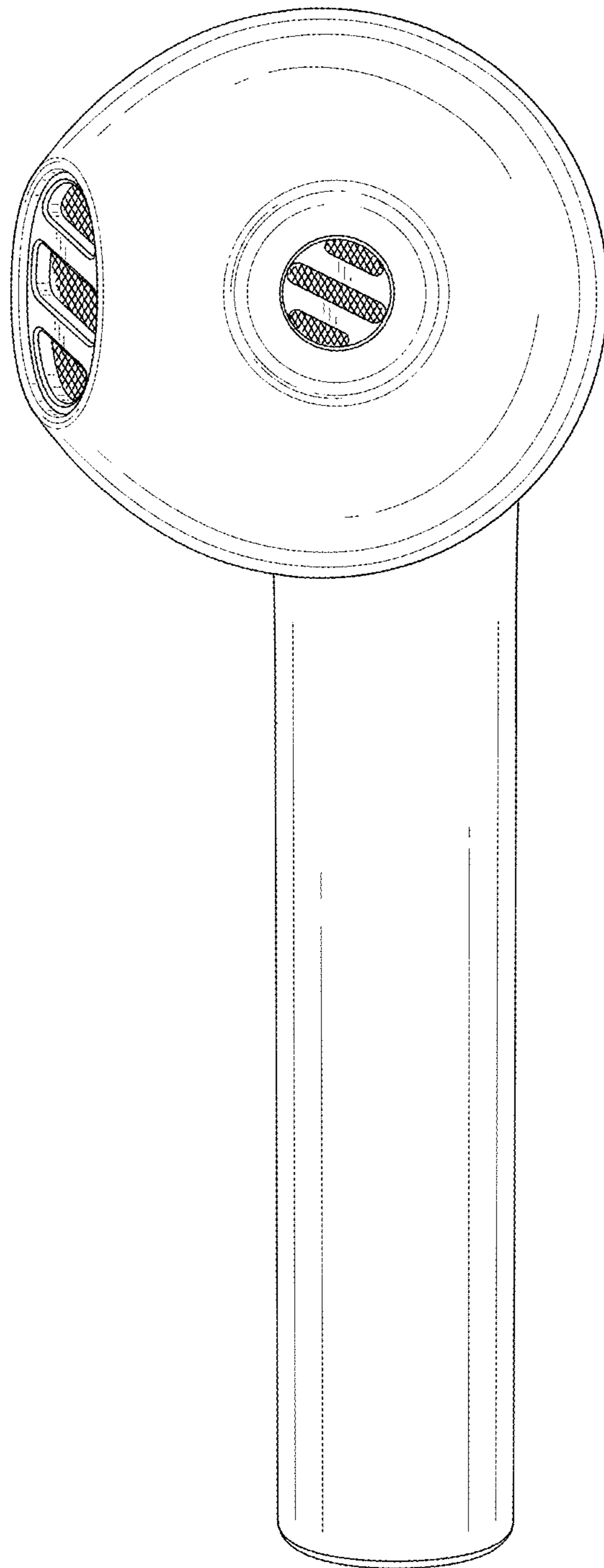


Fig. 1

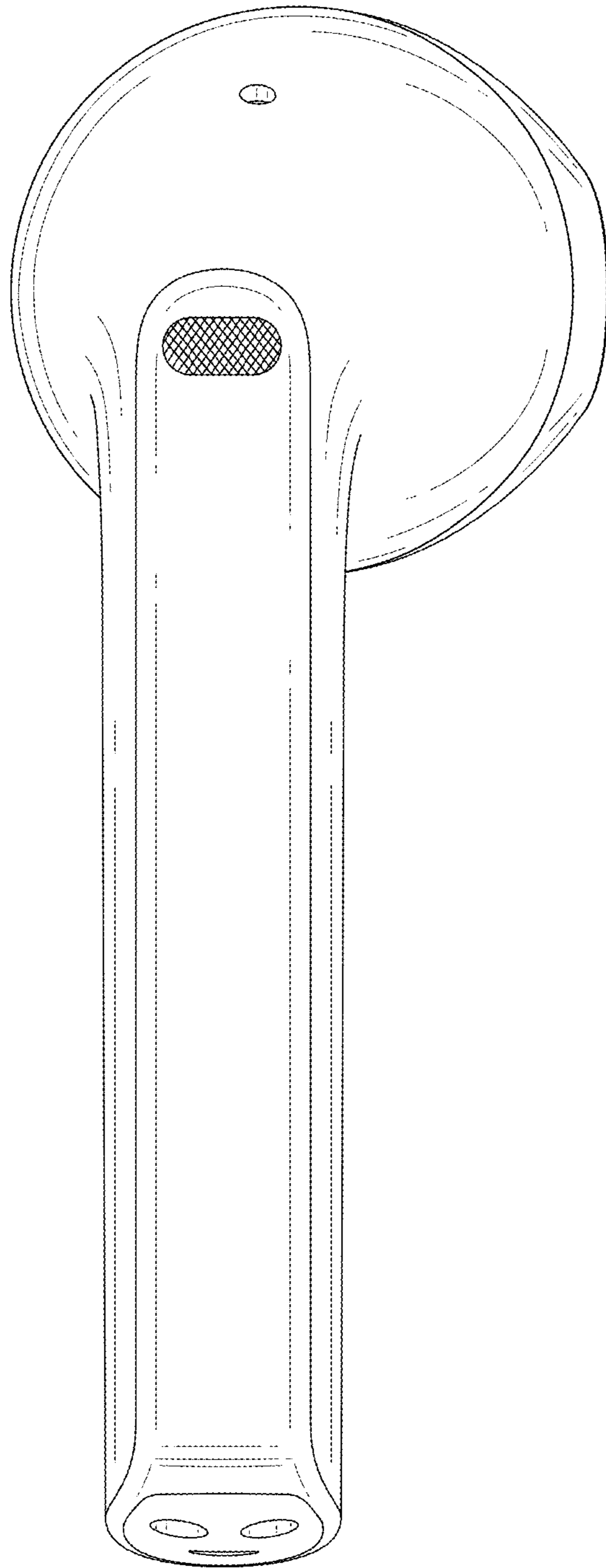


Fig. 2

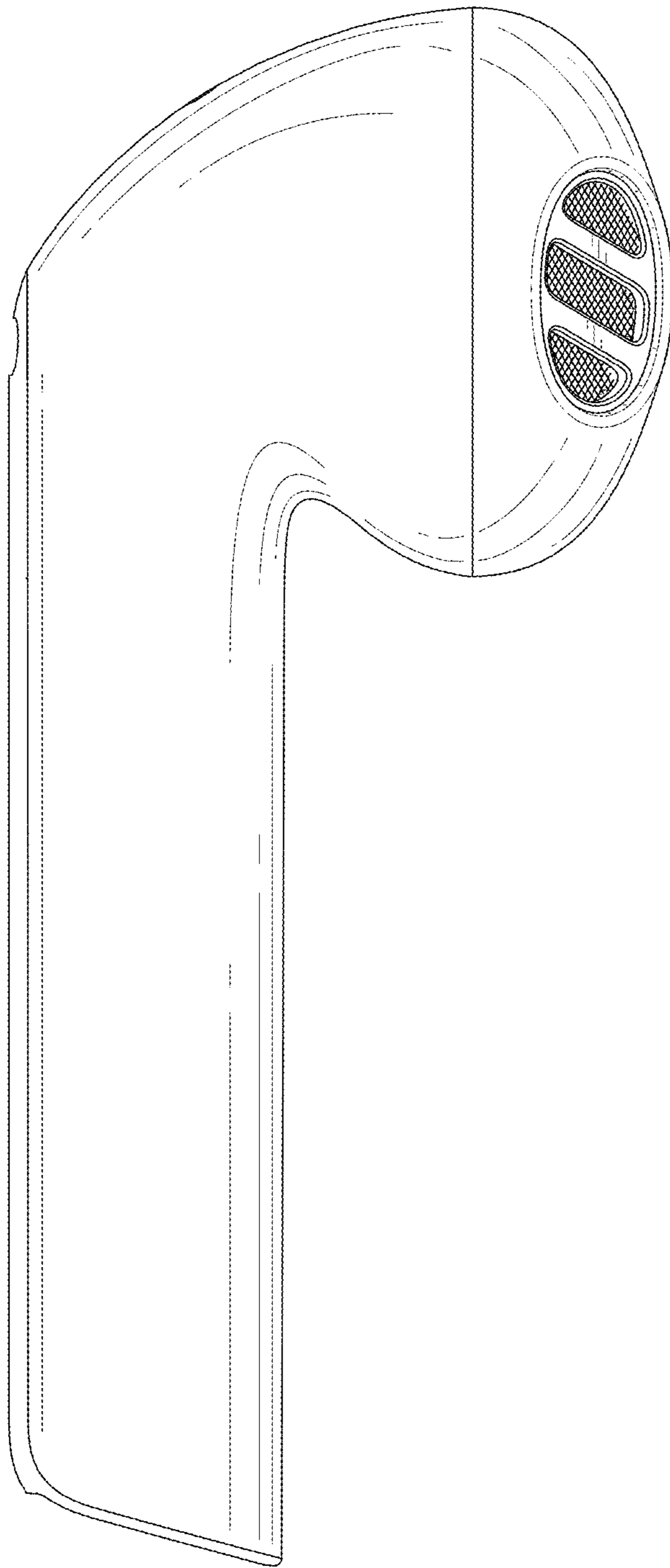


Fig. 3

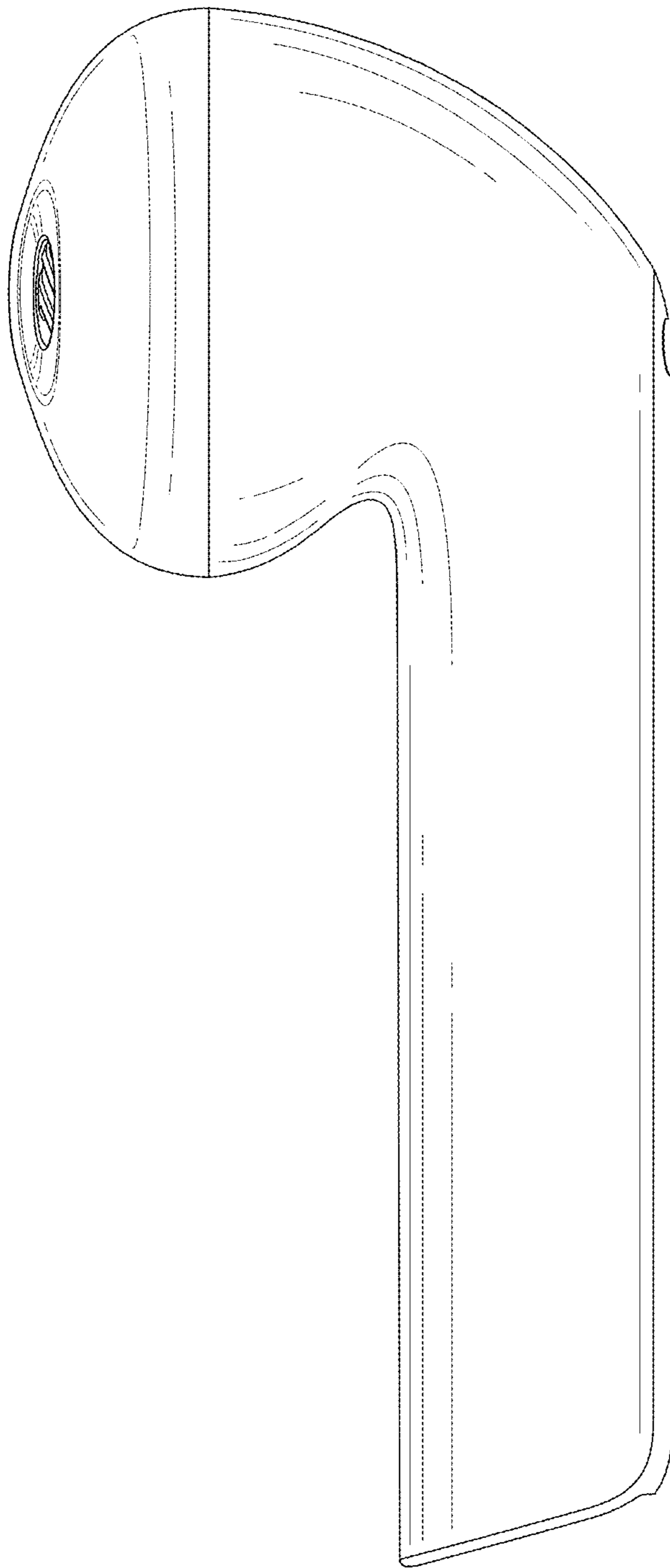


Fig. 4

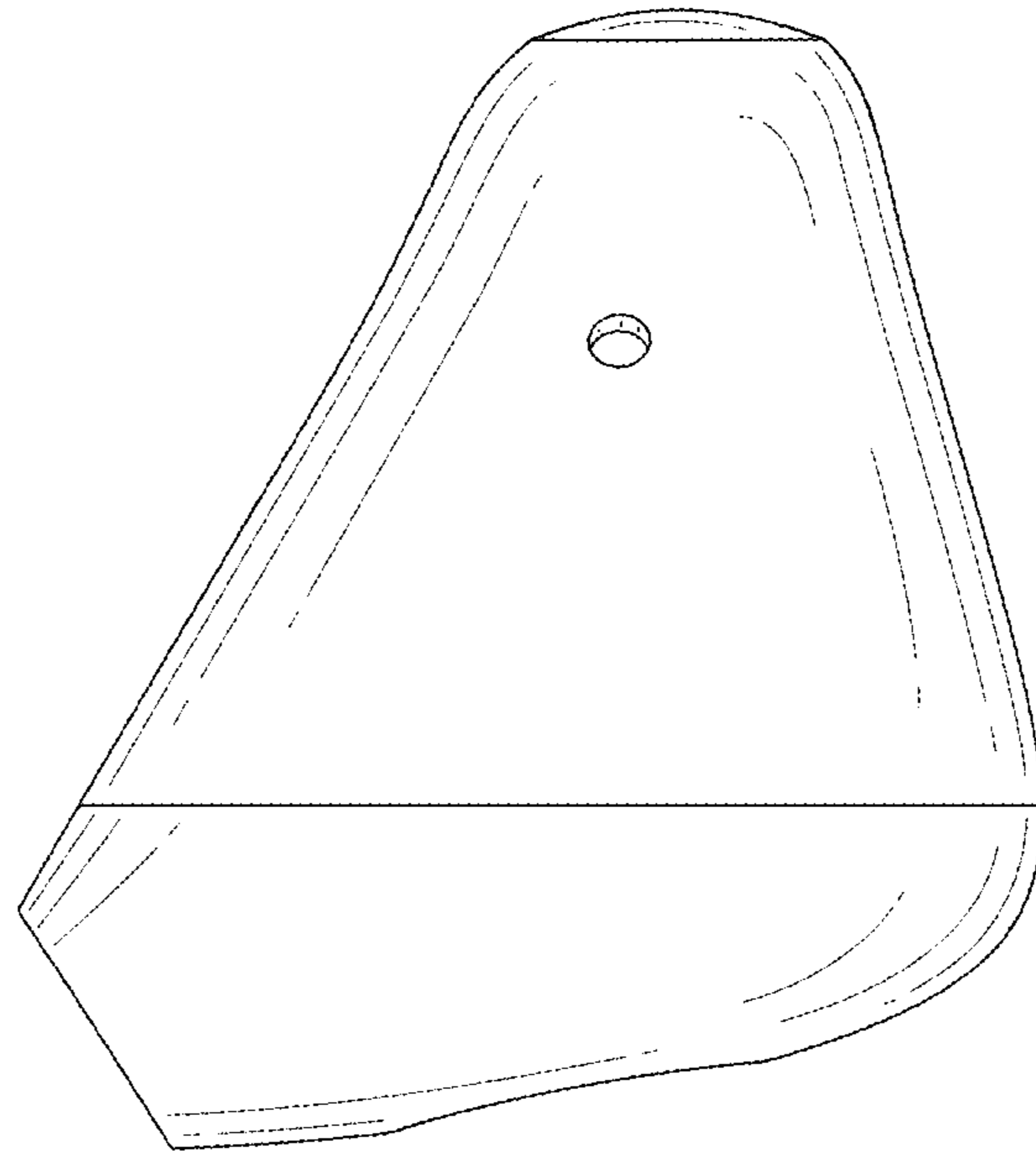


Fig. 5

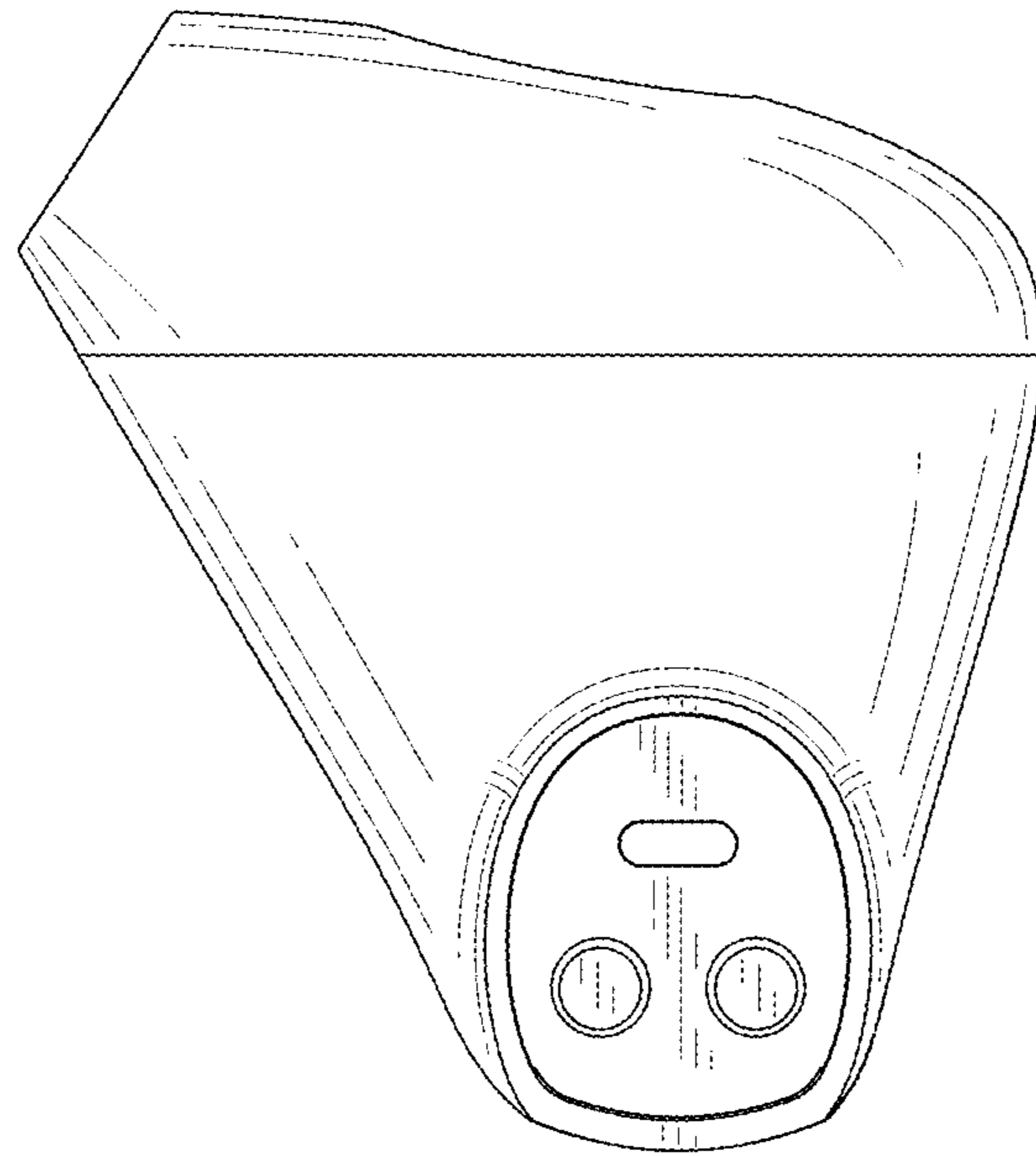


Fig. 6

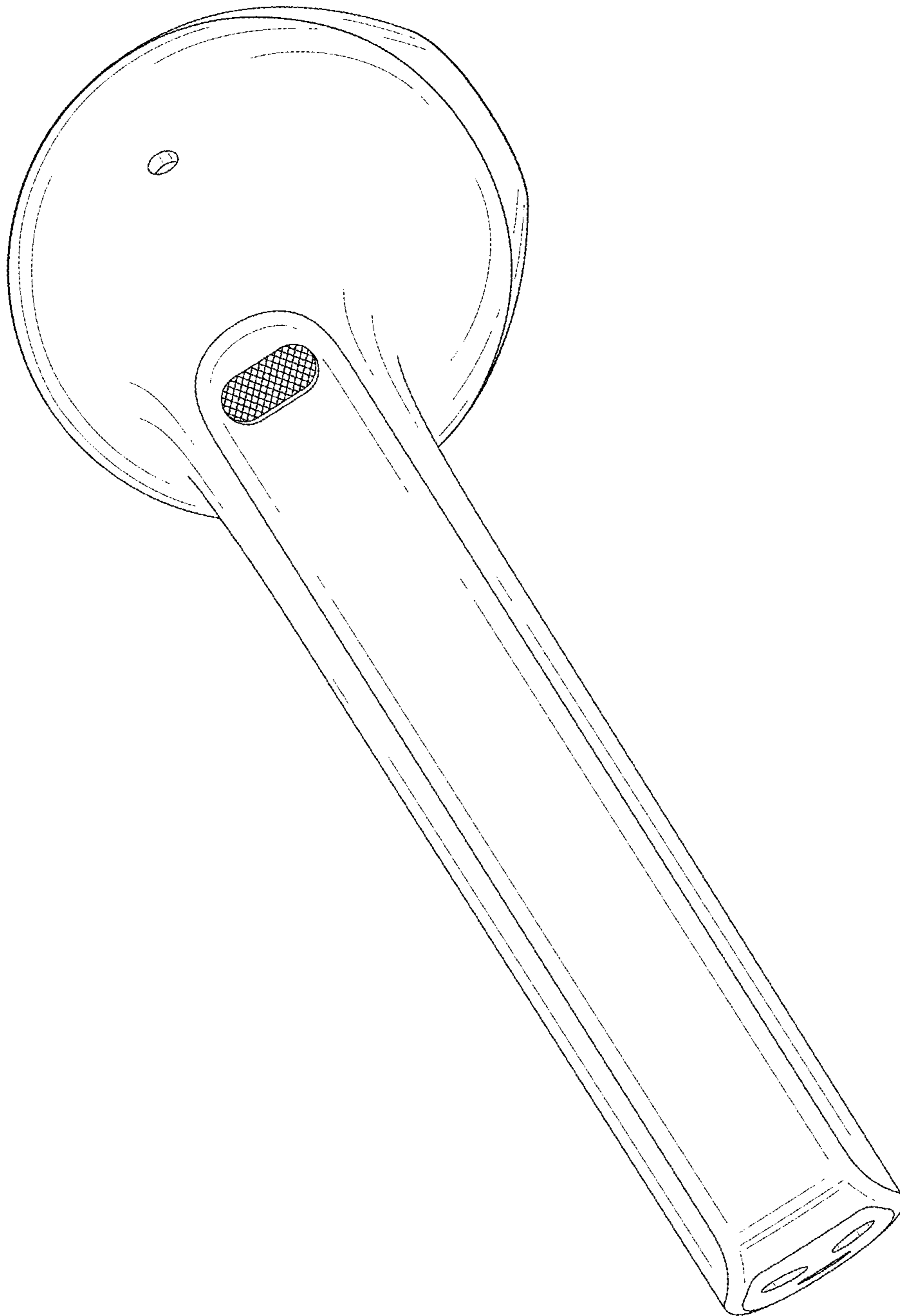


Fig. 7



Fig. 8