



US00D960870S

(12) **United States Design Patent**  
**Laube et al.**

(10) **Patent No.: US D960,870 S**

(45) **Date of Patent: \*\* Aug. 16, 2022**

(54) **WALL-MOUNTED TOUCH DISPLAY CONTROL INTERFACE WITH PUSH/ROTARY ENCODER**

(71) Applicant: **Biamp Systems, LLC**, Beaverton, OR (US)

(72) Inventors: **Douglas Laube**, Plano, TX (US); **Sean Pettiford**, Round Rock, TX (US)

(73) Assignee: **Biamp Systems, LLC**, Beaverton, OR (US)

(\*\*) Term: **15 Years**

(21) Appl. No.: **29/723,780**

(22) Filed: **Feb. 10, 2020**

(51) **LOC (13) Cl.** ..... **14-03**

(52) **U.S. Cl.**  
USPC ..... **D14/218**

(58) **Field of Classification Search**  
USPC ..... D14/230, 255; D13/168; D21/566; D10/104, 106  
CPC .... H04N 5/23203; H04N 7/185; H04N 21/00; H04N 21/42204; H04N 21/42206  
See application file for complete search history.

(56) **References Cited**

**U.S. PATENT DOCUMENTS**

D253,044 S	*	10/1979	Hewson	.....	D10/50
D394,219 S	*	5/1998	Morrow	.....	D10/50
D409,200 S	*	5/1999	Cooper	.....	D14/218
D469,109 S	*	1/2003	Andre	.....	D14/203.7
D472,245 S	*	3/2003	Andre	.....	D14/496
D507,976 S	*	8/2005	Roher	.....	D10/50
D516,576 S	*	3/2006	Ive	.....	D14/203.7

(Continued)

**FOREIGN PATENT DOCUMENTS**

CN	304651148	*	5/2018
CN	306984703	*	12/2021

(Continued)

**OTHER PUBLICATIONS**

Blizzard Wall Mounted DMX Controller Interface, available in stagelightingstore.com, oldest review date Mar. 7, 2018 , [site visited Dec. 13, 2021], Internet URL:https://www.stagelightingstore.com/blizzard-wall-controllers/89693-blizzard-wall-mounted-dmx-controller-interface (Year: 2018).\*

(Continued)

*Primary Examiner* — Daniel J Domino

*Assistant Examiner* — Samina Vieth

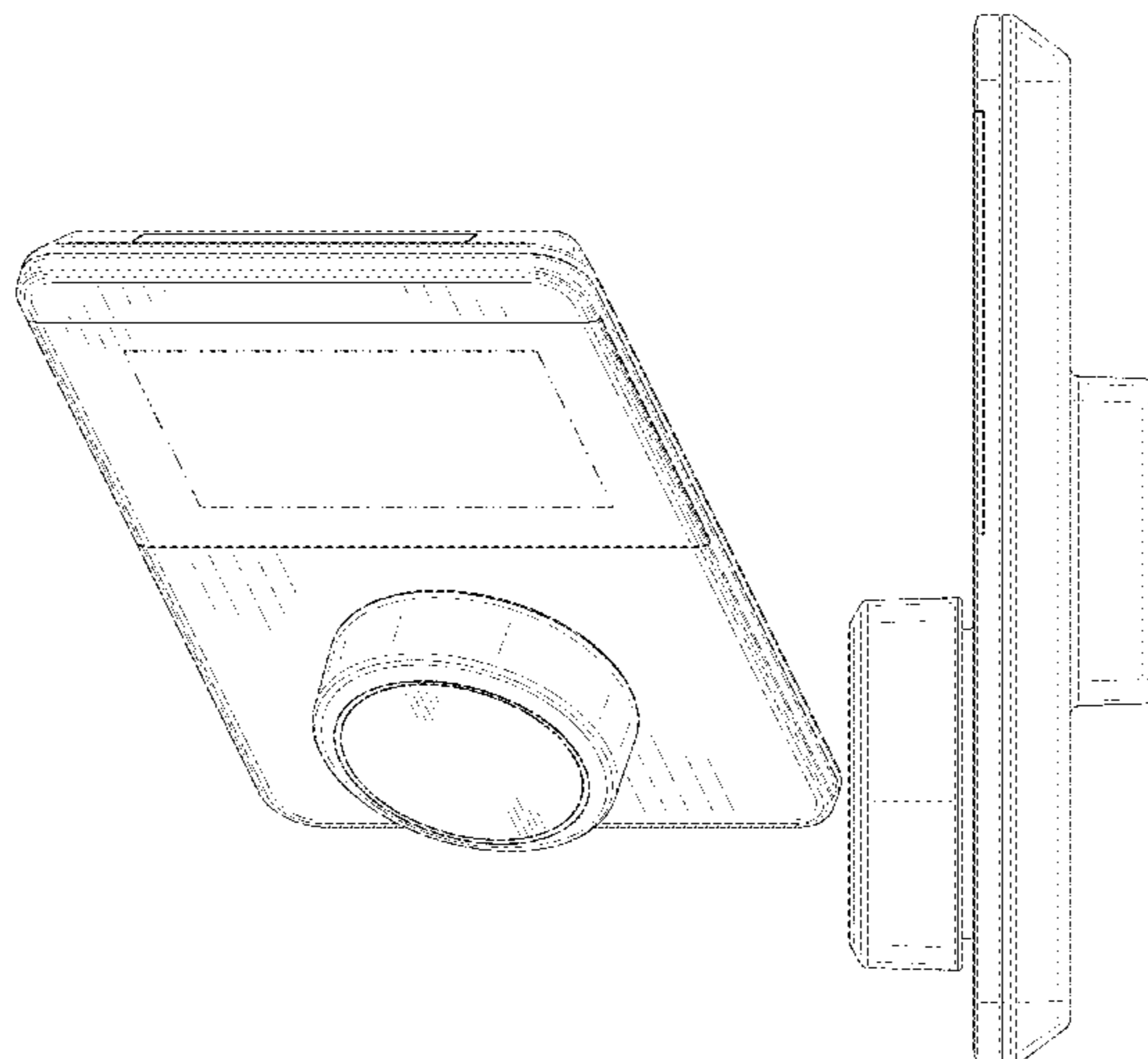
(57) **CLAIM**

The ornamental design for a wall-mounted touch display control interface with push/rotary encoder, as shown and described.

**DESCRIPTION**

FIG. 1 is a perspective view of a wall-mounted touch display control interface with push/rotary encoder.  
FIG. 2 is a front view of a wall-mounted touch display control interface with push/rotary encoder.  
FIG. 3 is a back view of a wall-mounted touch display control interface with push/rotary encoder.  
FIG. 4 is a right view of a wall-mounted touch display control interface with push/rotary encoder.  
FIG. 5 is a left view of a wall-mounted touch display control interface with push/rotary encoder.  
FIG. 6 is a top view of a wall-mounted touch display control interface with push/rotary encoder; and,  
FIG. 7 is a bottom view of a wall-mounted touch display control interface with push/rotary encoder.  
The broken lines depict unclaimed environment that forms no part of the claimed design. It is understood that the appearance of any part of the article not shown in the drawing or described in the specification forms no part of the claimed design.

**1 Claim, 7 Drawing Sheets**



(56)

References Cited

U.S. PATENT DOCUMENTS

D528,528 S \* 9/2006 Moon ..... D14/138 G  
 D539,811 S \* 4/2007 Lee ..... D14/203.7  
 D554,625 S \* 11/2007 Kato ..... D14/218  
 D566,685 S \* 4/2008 Koller ..... D14/168  
 D567,795 S \* 4/2008 Cha ..... D14/138 G  
 D570,346 S \* 6/2008 Suk ..... D14/138 AD  
 D570,838 S \* 6/2008 Suk ..... D14/138 AD  
 D578,140 S \* 10/2008 Sheba ..... D14/496  
 D581,430 S \* 11/2008 Lee ..... D14/217  
 D590,730 S \* 4/2009 Simard ..... D10/50  
 D593,535 S \* 6/2009 Sheba ..... D14/203.3  
 D624,071 S \* 9/2010 Dan ..... D14/341  
 7,795,553 B2 \* 9/2010 Weber ..... H01H 13/705  
 200/341  
 D639,277 S \* 6/2011 Alvarado ..... D14/218  
 D647,882 S \* 11/2011 Kim ..... D14/218  
 D661,266 S \* 6/2012 Laube ..... D14/126  
 D663,287 S \* 7/2012 Kim ..... D14/218  
 D666,508 S \* 9/2012 Beland ..... D10/50  
 D668,242 S \* 10/2012 Stein ..... D14/218  
 D671,916 S \* 12/2012 Maier ..... D14/218  
 D674,916 S 1/2013 Cetindag  
 D687,786 S \* 8/2013 Chin ..... D13/168  
 D728,489 S \* 5/2015 Eriksen ..... D13/168  
 D734,179 S \* 7/2015 Golden ..... D10/50  
 D738,756 S \* 9/2015 Jiang ..... D10/50  
 D742,335 S \* 11/2015 Yamaguchi ..... D13/168  
 D742,856 S \* 11/2015 Skjoldborg ..... D14/217  
 D743,349 S \* 11/2015 Leeland ..... D13/162  
 D748,597 S \* 2/2016 Boynton ..... D14/188  
 D755,734 S \* 5/2016 Kashimoto ..... D13/168  
 D777,683 S \* 1/2017 Kashimoto ..... D13/168  
 D784,296 S \* 4/2017 Katsuno ..... D14/218  
 D789,438 S \* 6/2017 Kim ..... D16/237  
 D800,096 S \* 10/2017 Skokna ..... D14/218  
 D801,940 S \* 11/2017 Aketa ..... D13/168  
 D831,616 S \* 10/2018 Susumago ..... D14/217  
 D831,617 S \* 10/2018 Susumago ..... D14/217  
 D850,415 S \* 6/2019 Kashimoto ..... D14/218  
 D853,371 S \* 7/2019 Wei ..... D14/250  
 D865,723 S \* 11/2019 Cho ..... H04R 31/00  
 D14/225  
 D886,082 S \* 6/2020 Negri ..... D14/218  
 D920,261 S \* 5/2021 Isshiki ..... D13/168  
 D922,336 S \* 6/2021 Altonen ..... D13/171  
 D924,184 S \* 7/2021 Altonen ..... D13/171  
 D935,377 S \* 11/2021 Triantafyllis ..... D12/317

FOREIGN PATENT DOCUMENTS

GB 6007003 \* 12/2017  
 JP 1521652 S 4/2015  
 KR 300909138.0000 \* 6/2017  
 PL 2597-2010 \* 7/2010

OTHER PUBLICATIONS

Biamp unveils updated product range at ISE 2020, available in [inavateonthenet.net](http://inavateonthenet.net), available date Feb. 24, 2020, [site visited Dec. 16, 2021], Internet URL: <https://www.inavateonthenet.net/products/article/biamp-unveils-updated-product-range-at-ise-2020> (Year: 2020).\*

Iplayer Apple iPod Classic 7th Generation . . . , available at [amazon.com](http://amazon.com), oldest review date Nov. 29, 2021, [site visited Dec. 13, 2021], Internet URL: [https://www.amazon.com/lplayer-Classic-Generation-Accessories-Packaging/dp/B08RY4LRV9/ref=sr\\_1\\_5?keywords=classic+ipod&qid=1639405798&sr=8-5](https://www.amazon.com/lplayer-Classic-Generation-Accessories-Packaging/dp/B08RY4LRV9/ref=sr_1_5?keywords=classic+ipod&qid=1639405798&sr=8-5) (Year: 2021).\*

Pit Boss v4 Digital Control Board Upgrade, available at [pellet-stove-parts-4less.com](http://pellet-stove-parts-4less.com), date available Jan. 3, 2021, [site visited Dec. 13, 2021], Internet URL: <https://pellet-stove-parts-4less.com/products/pit-boss-v4-digital-controller-cav-01-v4> (Year: 2021).\*

Fontana Thermostatic Digital Shower . . . , available at [bathselect.com](http://bathselect.com), oldest review date Nov. 9, 2018, [site visited Dec. 13, 2021], Internet URL: <https://www.bathselect.com/ReviewsList.asp?SortBy=Newest&Page=2&ProductCode=BST6115DS&Reviews=Y> (Year: 2018).\*

Advanced Touchscreen Control, available in [Supplyhouse.com](http://Supplyhouse.com), Oldest Review Date Jun. 9, 2021, [site visited Dec. 13, 2021], Internet URL: [https://www.supplyhouse.com/Broan-VTTOU-CHW-Advanced-Touchscreen-Control?gelid=EAIalQob-ChMI2ZyVnZzh9AIVNwalCR37wAITEAQYCCABEgLSPD\\_BwE](https://www.supplyhouse.com/Broan-VTTOU-CHW-Advanced-Touchscreen-Control?gelid=EAIalQob-ChMI2ZyVnZzh9AIVNwalCR37wAITEAQYCCABEgLSPD_BwE) (Year: 2021).

Biamp Launches Family of Sleek, Touch-Enabled Control Interfaces, available [connectedmag.com.au](http://connectedmag.com.au), announced Year 2020 online, [site visited Dec. 13, 2020], Internet URL: <https://connectedmag.com.au/biamp-launches-family-of-sleek-touch-enabled-control-interfaces/> (Year: 2020).

Garmin Edge 830 Bundle GPS Computer, available in [Western Bike Works](http://Western Bike Works), Oldest Review Date Sep. 1, 2016, [site visited Dec. 13, 2021], Internet URL: <https://www.westernbikeworks.com/reviews/garmin-edge-830-bundle-gps-computer?rating=0&orderby=o> (Year: 2016).

\* cited by examiner

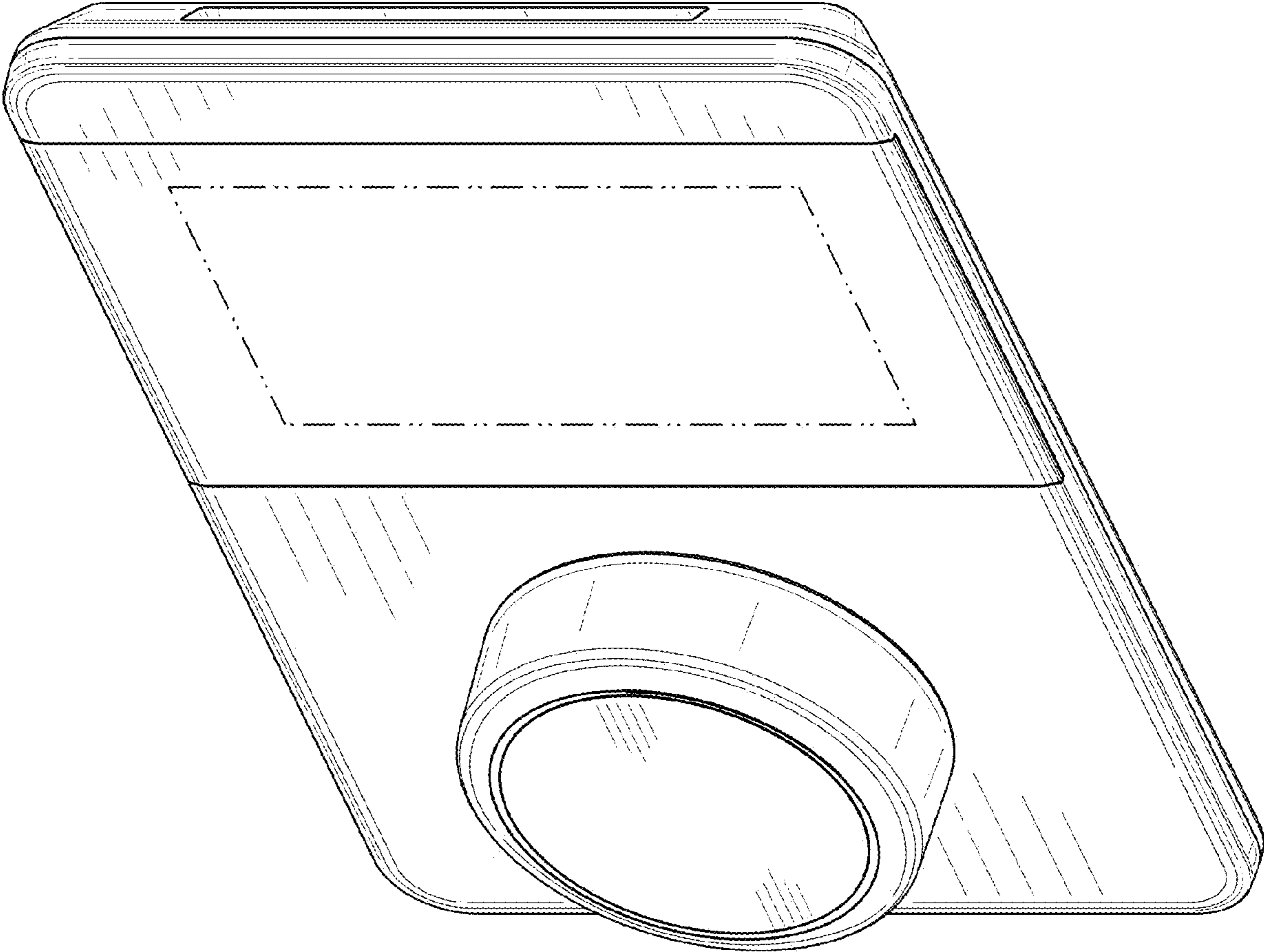


FIG. 1

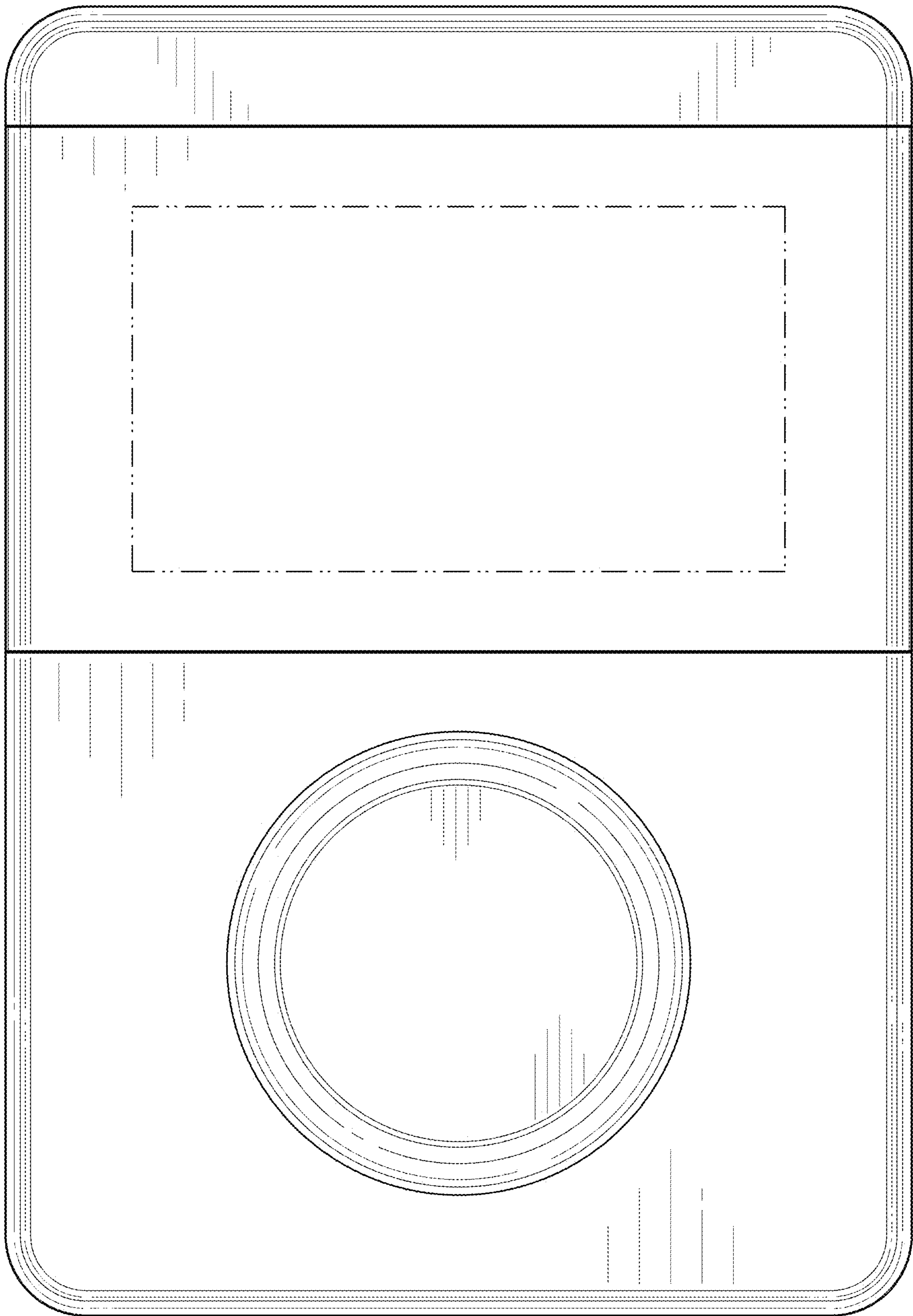


FIG. 2

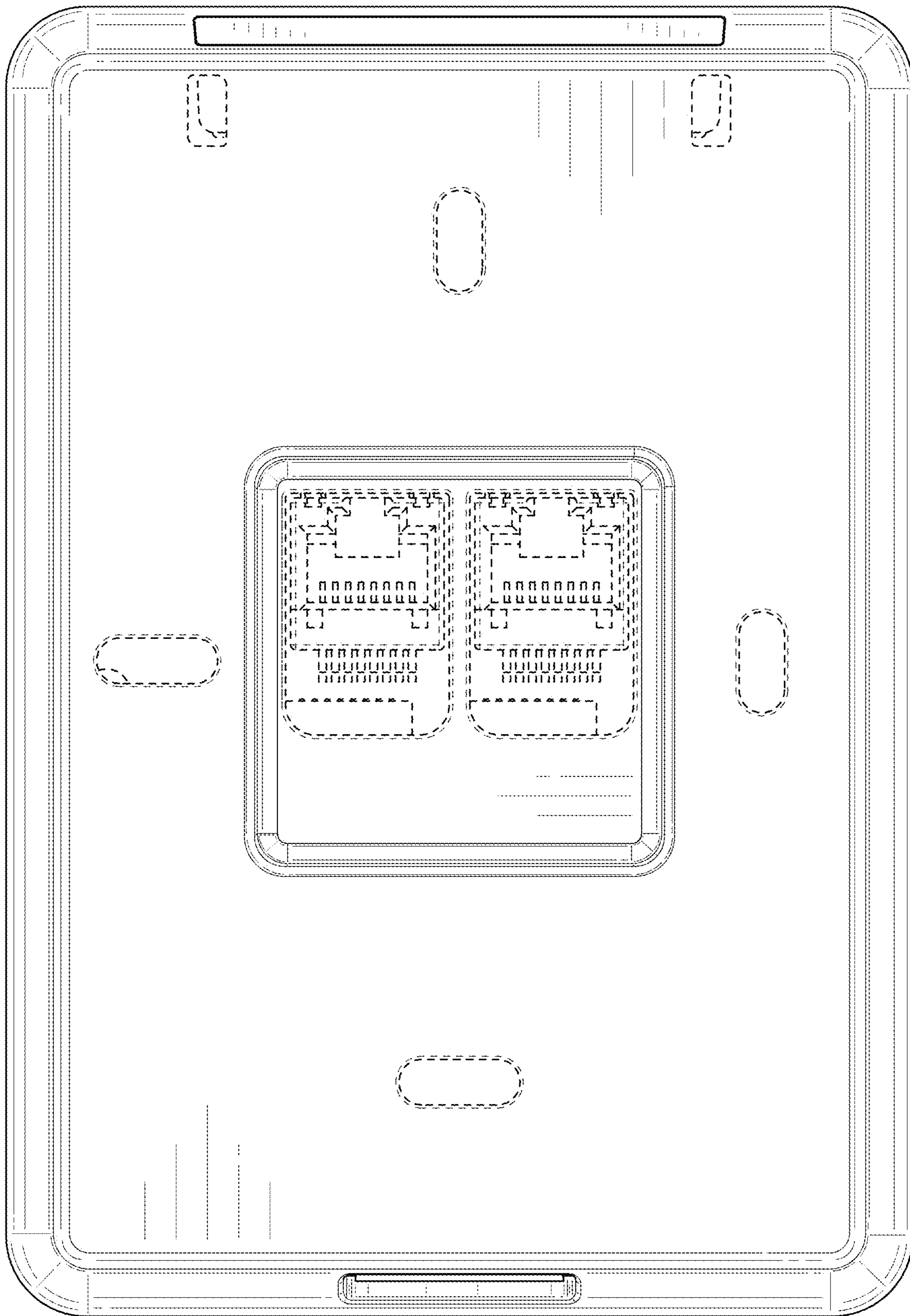


FIG. 3

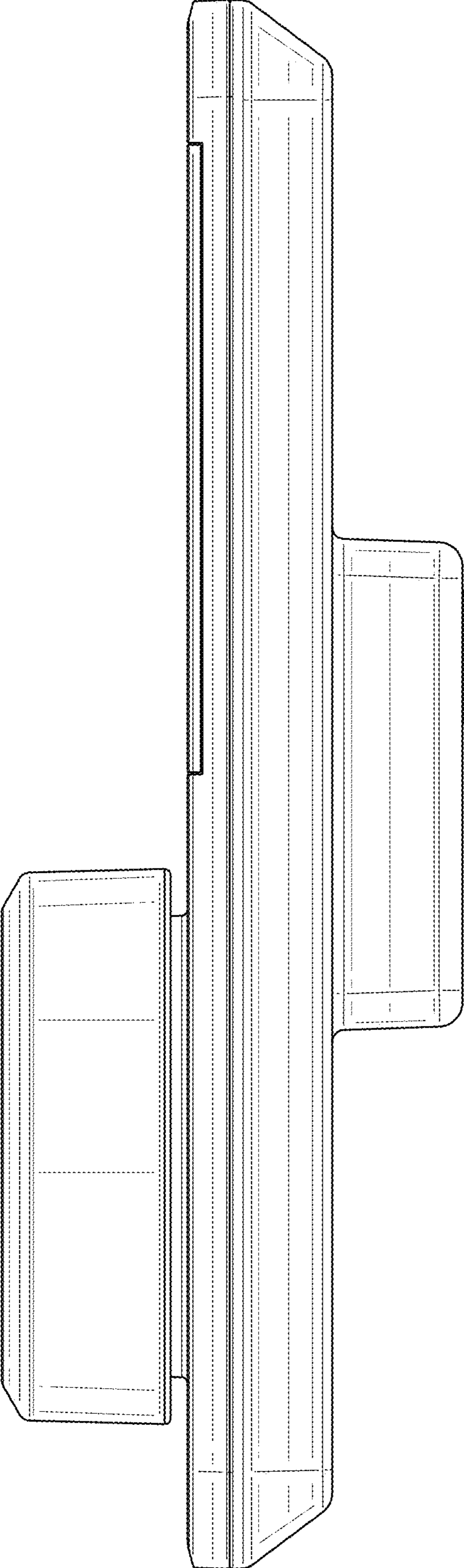


FIG. 4

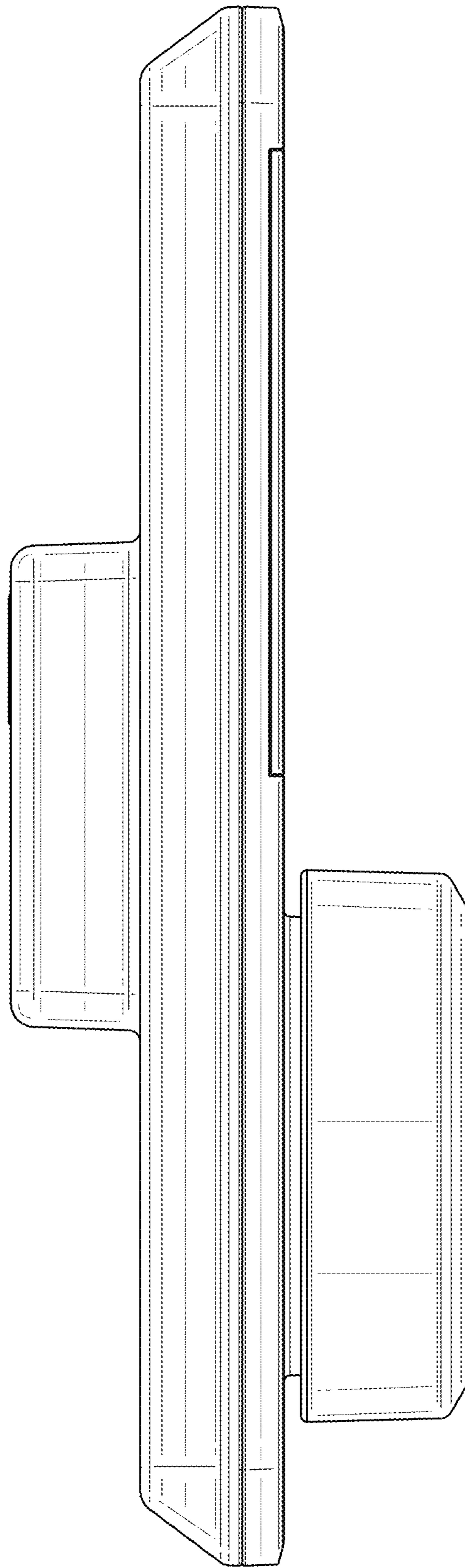


FIG. 5

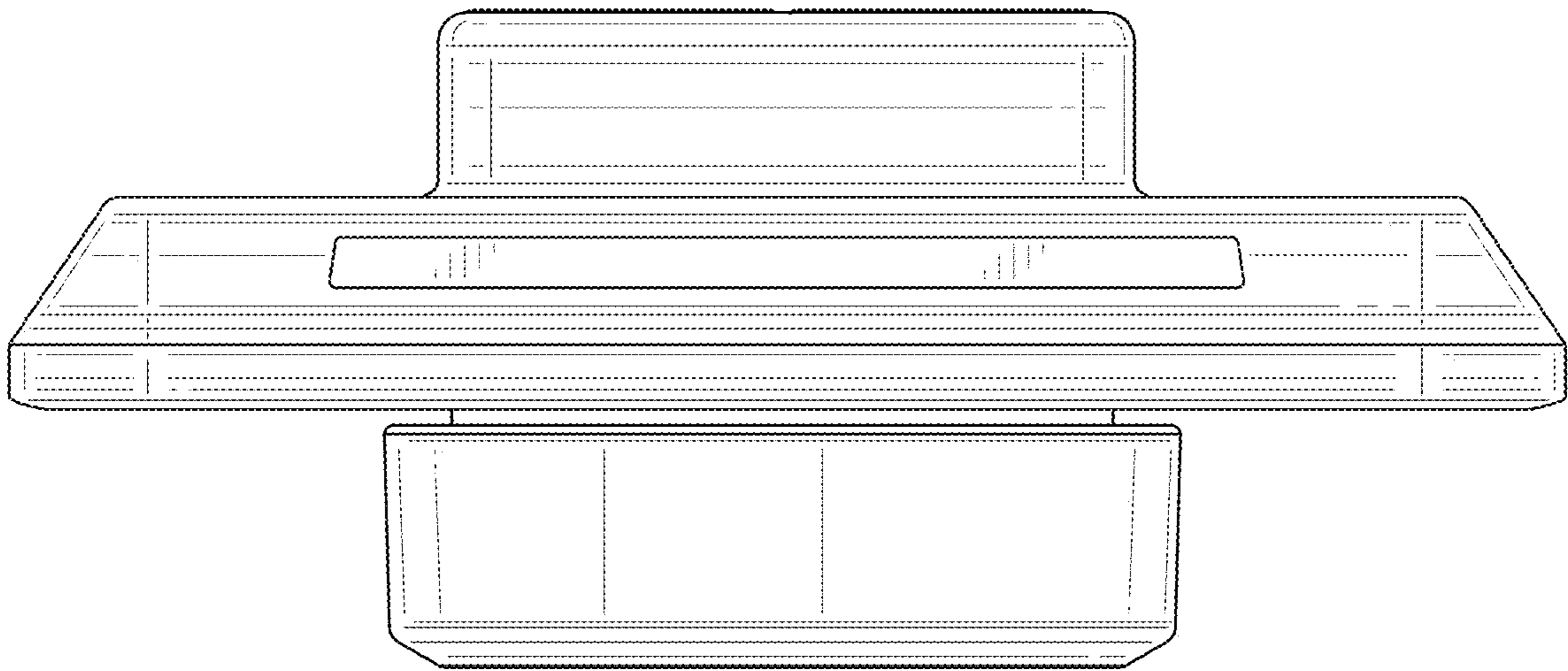


FIG. 6



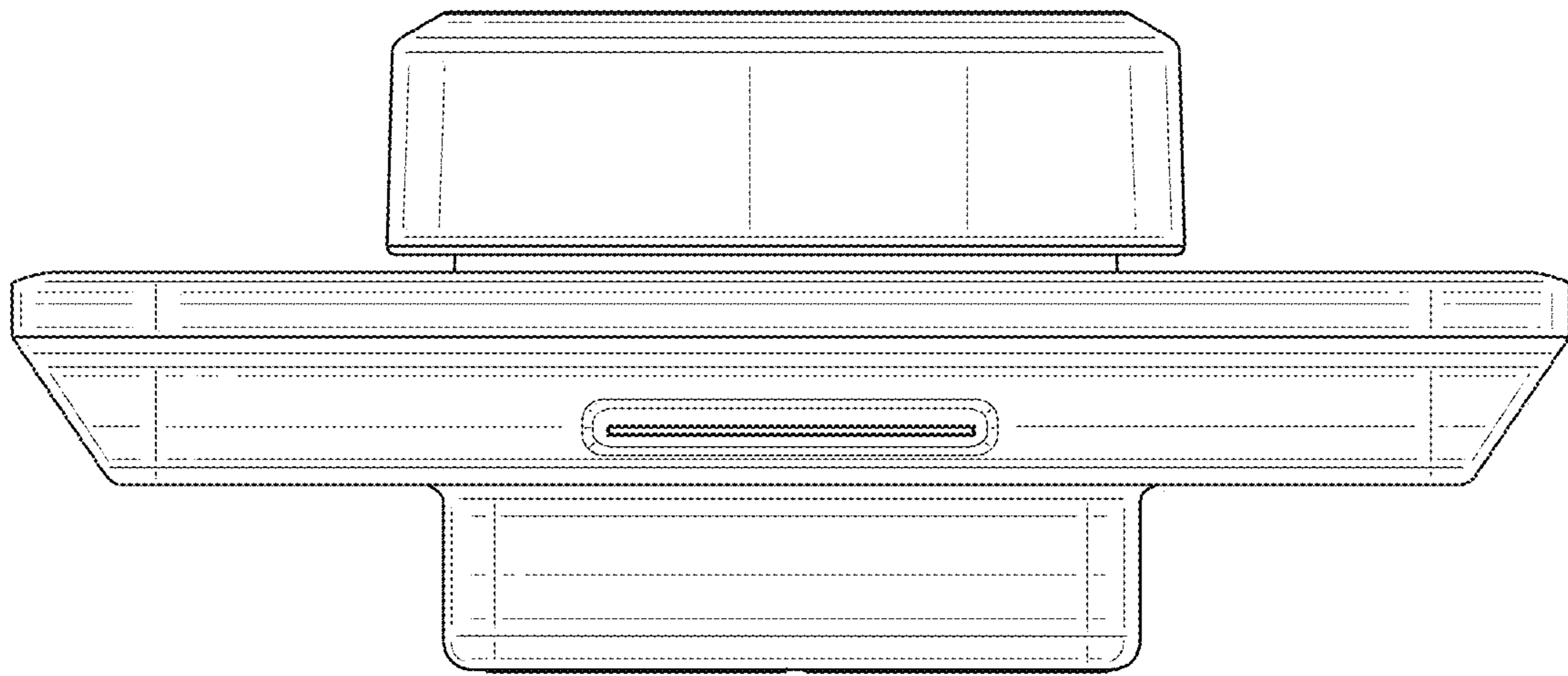


FIG. 7