



US00D960868S

(12) **United States Design Patent**
Yu

(10) **Patent No.:** **US D960,868 S**

(45) **Date of Patent:** **** Aug. 16, 2022**

(54) **WIRELESS AUDIO ADAPTER**

(71) Applicant: **Hongyong Yu**, Guangdong (CN)

(72) Inventor: **Hongyong Yu**, Guangdong (CN)

(73) Assignee: **SHENZHEN GULI TECHNOLOGY CO., LTD.**, Shenzhen (CN)

(**) Term: **15 Years**

(21) Appl. No.: **29/760,984**

(22) Filed: **Dec. 4, 2020**

(30) **Foreign Application Priority Data**

Sep. 14, 2020 (CN) 202030544124.2

(51) **LOC (13) Cl.** **14-01**

(52) **U.S. Cl.**
USPC **D14/217**; D14/496

(58) **Field of Classification Search**
USPC D14/137, 188, 224, 217, 225, 226, 227,
D14/229, 496

CPC H04R 19/01; H04R 19/04; H04R 29/007;
H04R 17/02; H04R 1/34; H04R 1/40
See application file for complete search history.

(56) **References Cited**

U.S. PATENT DOCUMENTS

D280,896 S	*	10/1985	Campbell	D14/155
D290,356 S	*	6/1987	Fisher	D14/191
D303,528 S	*	9/1989	Scheid	D14/191
D316,550 S	*	4/1991	Sogabe	D14/205
D463,426 S	*	9/2002	Cheng	D14/480.1
D511,770 S	*	11/2005	Chung	D14/480.5
D530,340 S	*	10/2006	Andre	D14/203.3
D592,677 S	*	5/2009	Sheba	D14/496
D614,608 S	*	4/2010	Behling	D14/223
D642,585 S	*	8/2011	Lan	D14/480.5
D652,046 S	*	1/2012	Belan	D14/480.6
D705,751 S	*	5/2014	Wenger	D14/206
D715,797 S	*	10/2014	Hiraga	D14/356

D716,804 S	*	11/2014	Neumann	D14/356
D800,652 S	*	10/2017	Yang	D13/107
D813,234 S	*	3/2018	Nadler	D14/388
D831,598 S	*	10/2018	Jiang	D14/125
D853,361 S	*	7/2019	Ding	D14/225

(Continued)

FOREIGN PATENT DOCUMENTS

CN	306892843	*	10/2021
CN	306984755	*	12/2021
CN	306991983	*	12/2021

OTHER PUBLICATIONS

KINDRM Portable Bluetooth, first available Jul. 16, 2021 [online], [retrieved Mar. 8, 2022]. Available from the Internet, URL:<https://www.amazon.com/dp/B099N9Q98P/ref=cm_sw_em_r_mt_dp_M2C134E399XZ8XZJSZ6G?_encoding=UTF8&psc=1>. (Year: 2021).*

(Continued)

Primary Examiner — Dana K Weiland
Assistant Examiner — Russell Carnell Smith, Jr.
(74) *Attorney, Agent, or Firm* — Justin Lampel

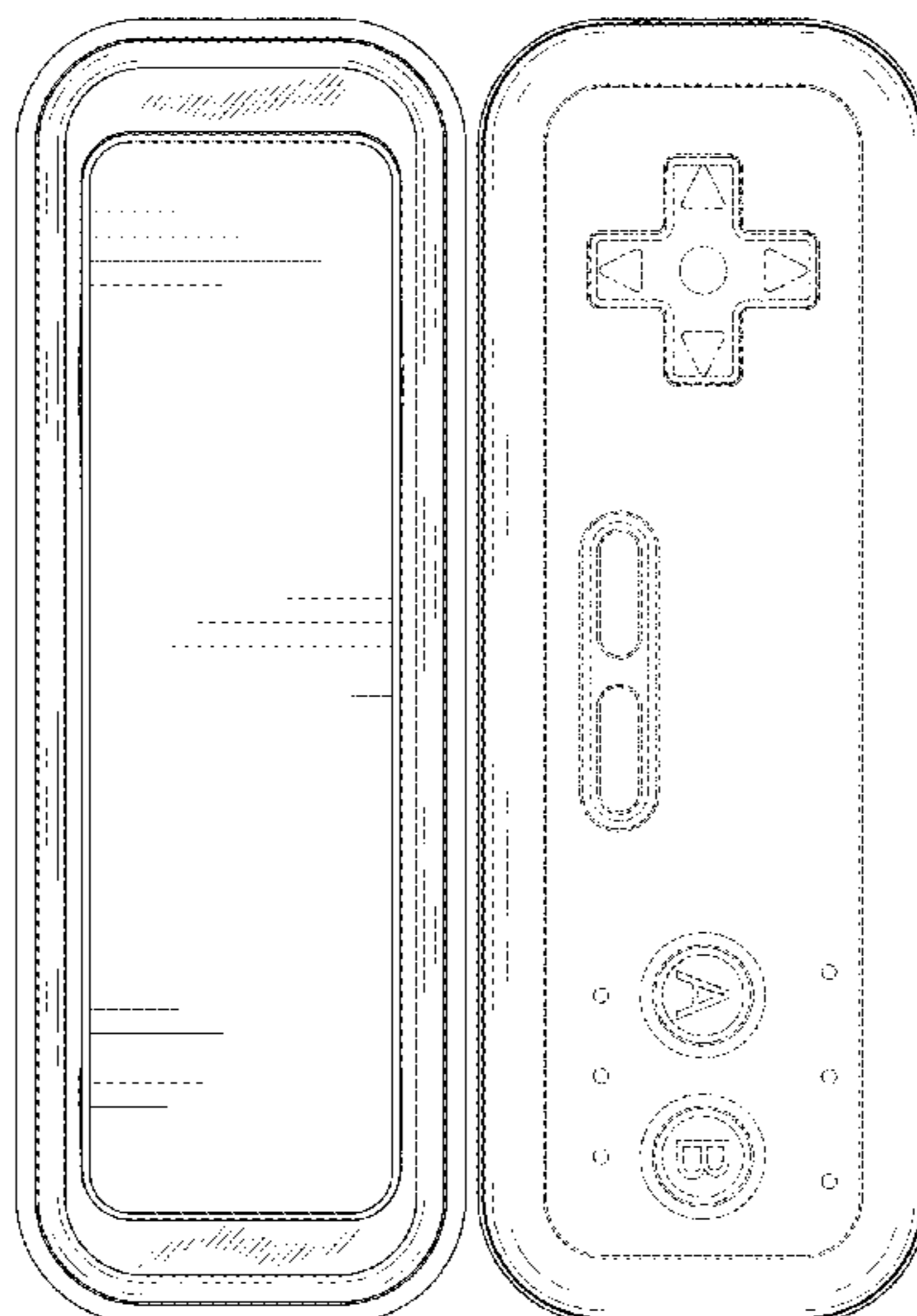
(57) **CLAIM**

The ornamental design for a wireless audio adapter, as shown and described.

DESCRIPTION

FIG. 1 is a front elevational view thereof;
FIG. 2 is a rear elevational view thereof;
FIG. 3 is a left side view thereof;
FIG. 4 is a right side view thereof;
FIG. 5 is a top plan view thereof.
FIG. 6 is a bottom plan view thereof; and,
FIG. 7 is a perspective view of a wireless audio adapter showing my new design.
The broken lines show portions of the wireless audio adapter that form no part of the claimed design.

1 Claim, 6 Drawing Sheets



(56)

References Cited

U.S. PATENT DOCUMENTS

D864,862 S * 10/2019 Cheng D13/103
D925,503 S * 7/2021 Wang D14/228
D944,754 S * 3/2022 Yu D14/155

OTHER PUBLICATIONS

Bluetooth 5.0 Adapter, first available Jan. 19, 2022 [online], [retrieved Mar. 8, 2022]. Available from the Internet, URL:<https://www.amazon.com/dp/B09QQNCMHB/ref=cm_sw_em_r_mt_dp_57PFGDYHQH6M2XZ6ZYME?_encoding=UTF8&psc=1>. (Year: 2022).*

SmartMike, first available Dec. 9, 2019 [online], [retrieved Mar. 10, 2022]. Available from the Internet, URL:<https://www.amazon.com/dp/B082HWVJ67/ref=cm_sw_em_r_mt_dp_WN5KVBVN6TNN8S9AVPB7>. (Year: 2019).*

* cited by examiner

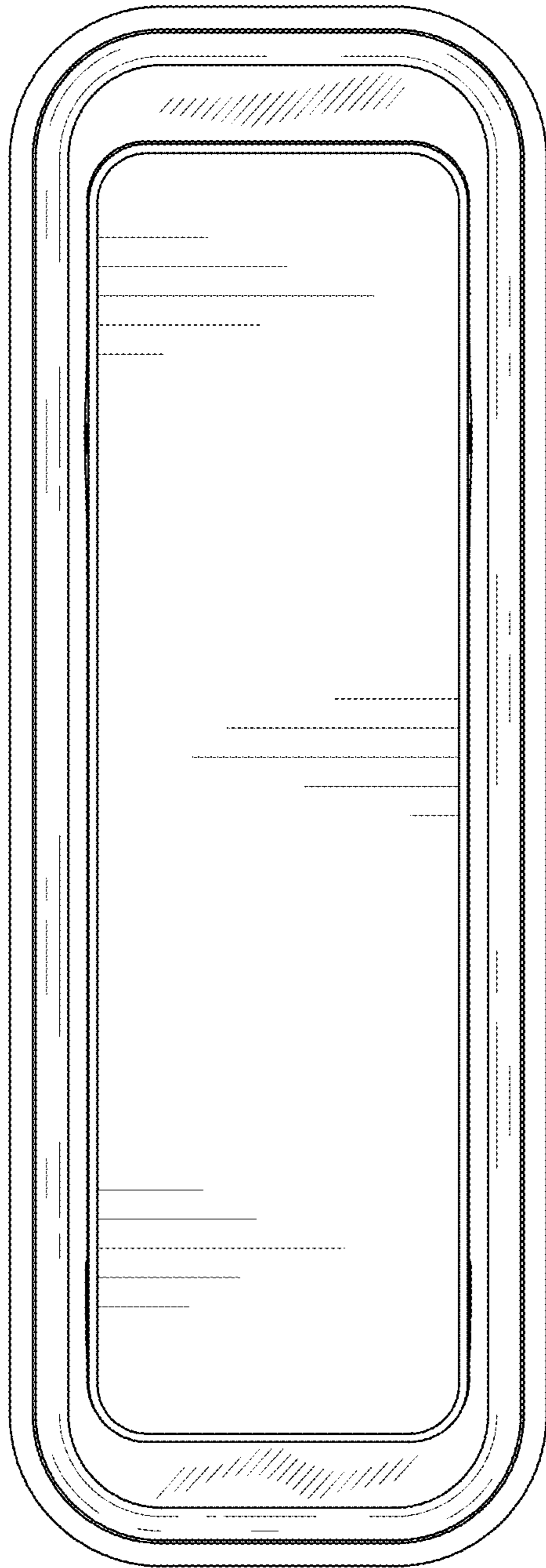


FIG. 1

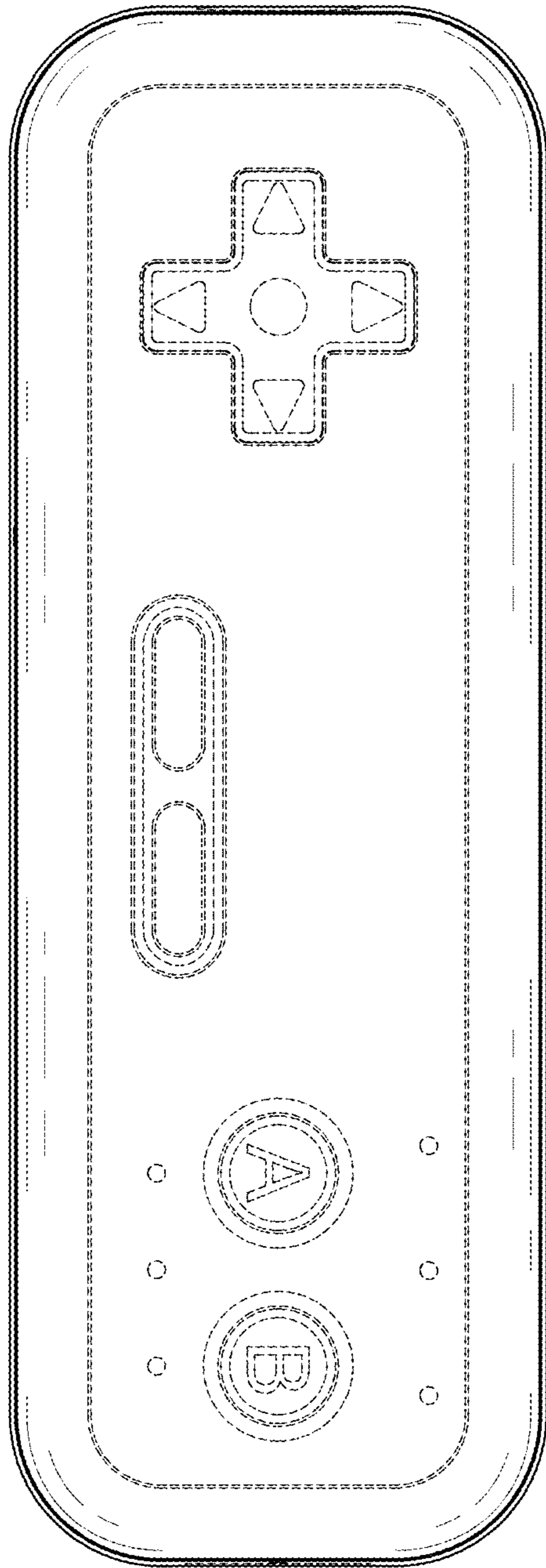


FIG. 2

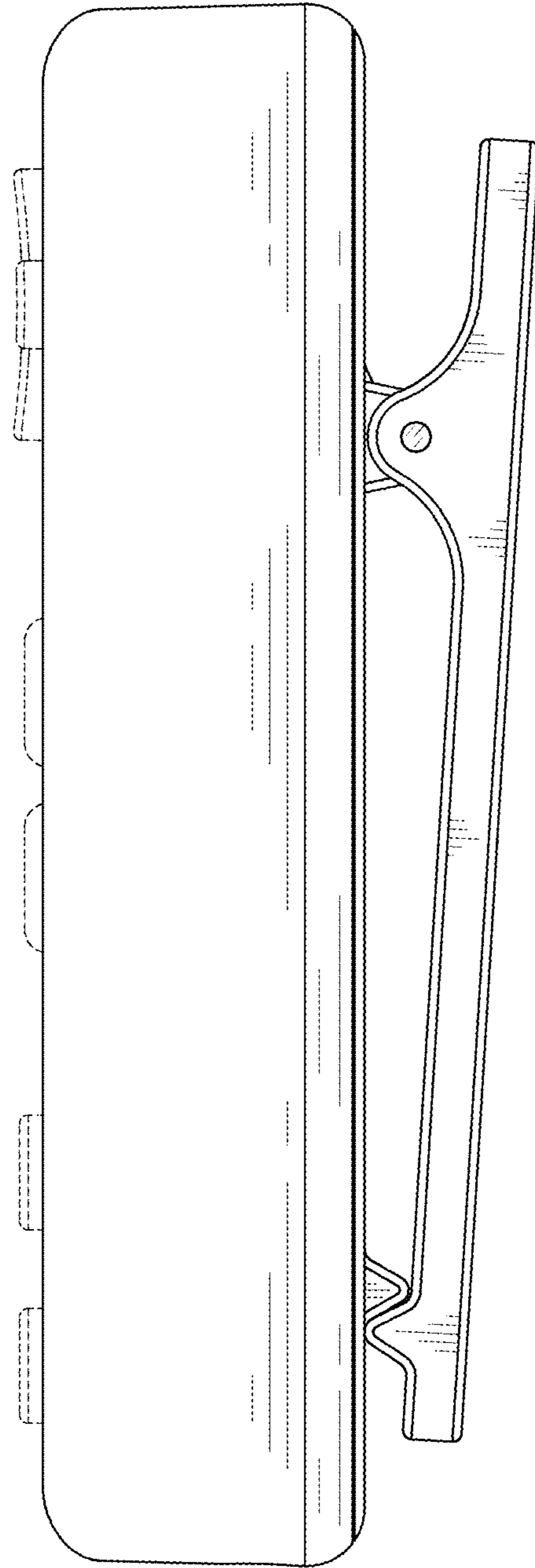


FIG. 3

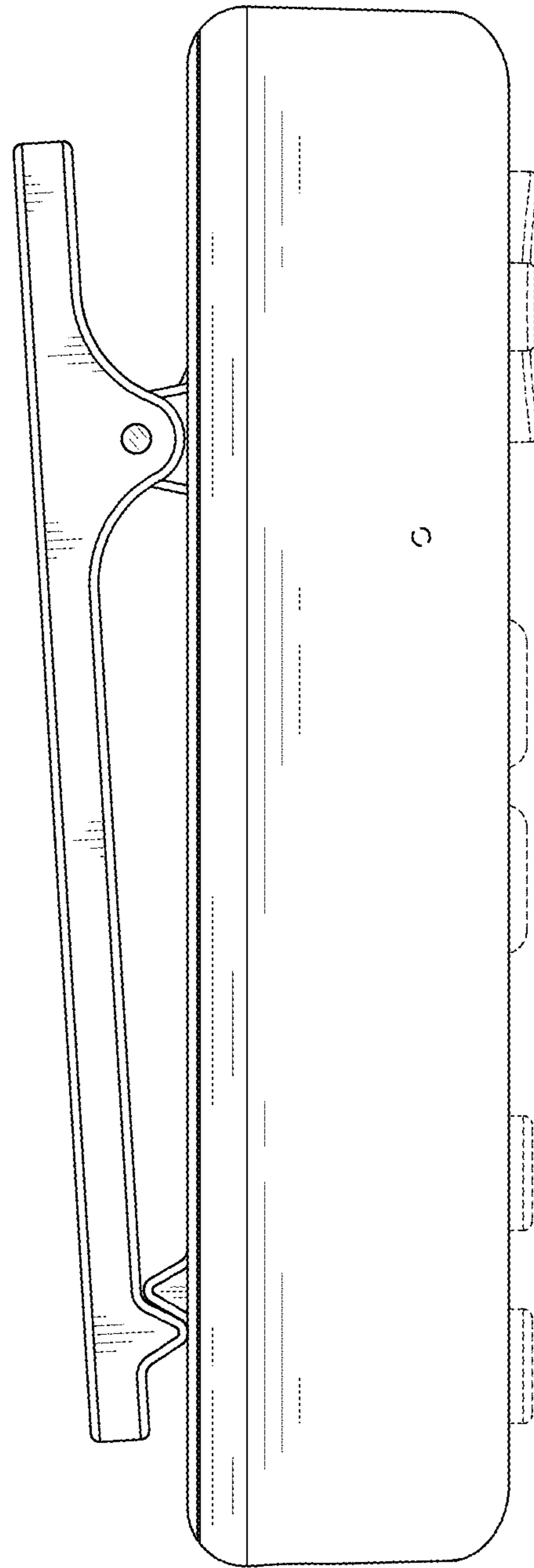


FIG. 4

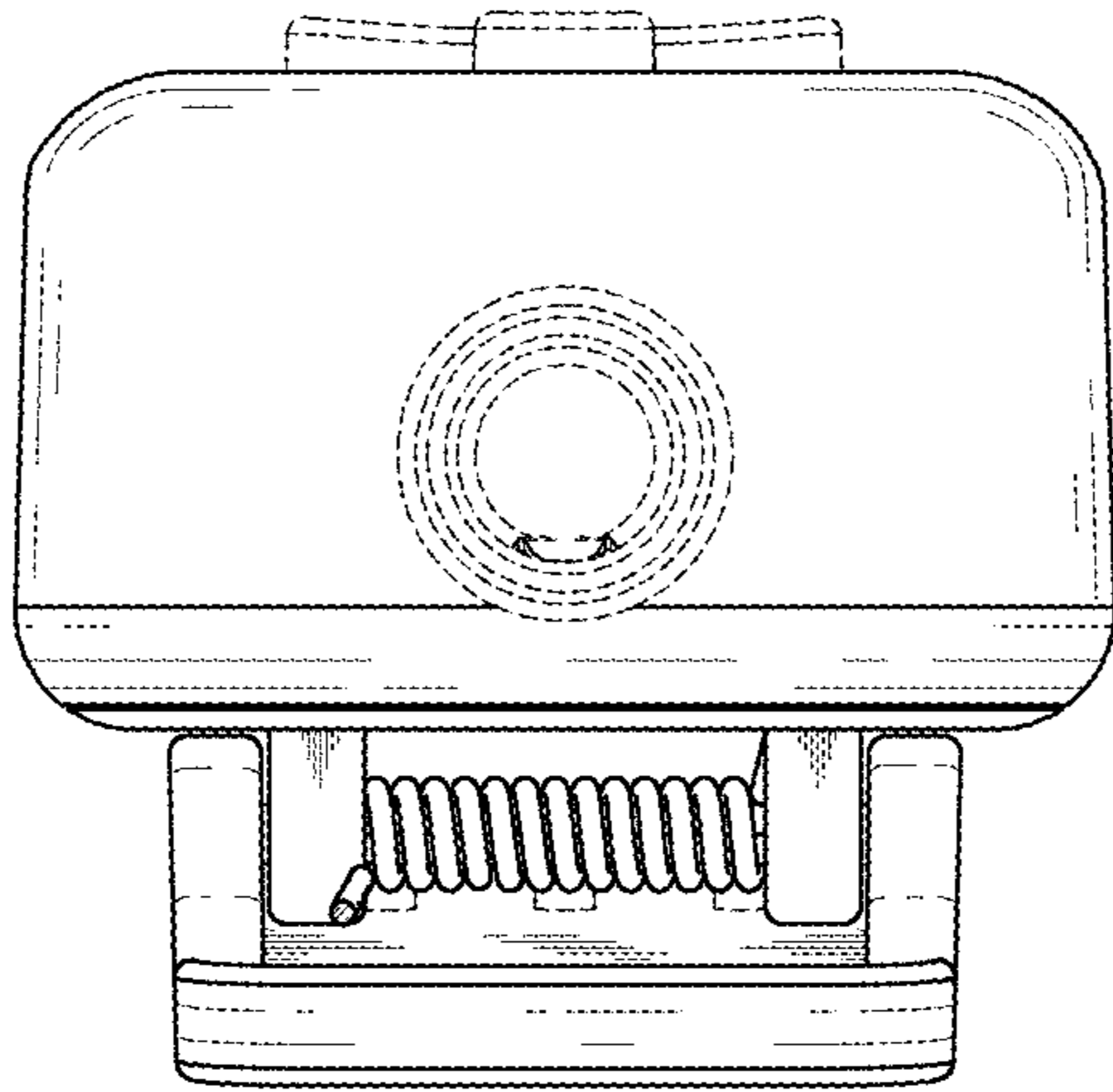


FIG. 5

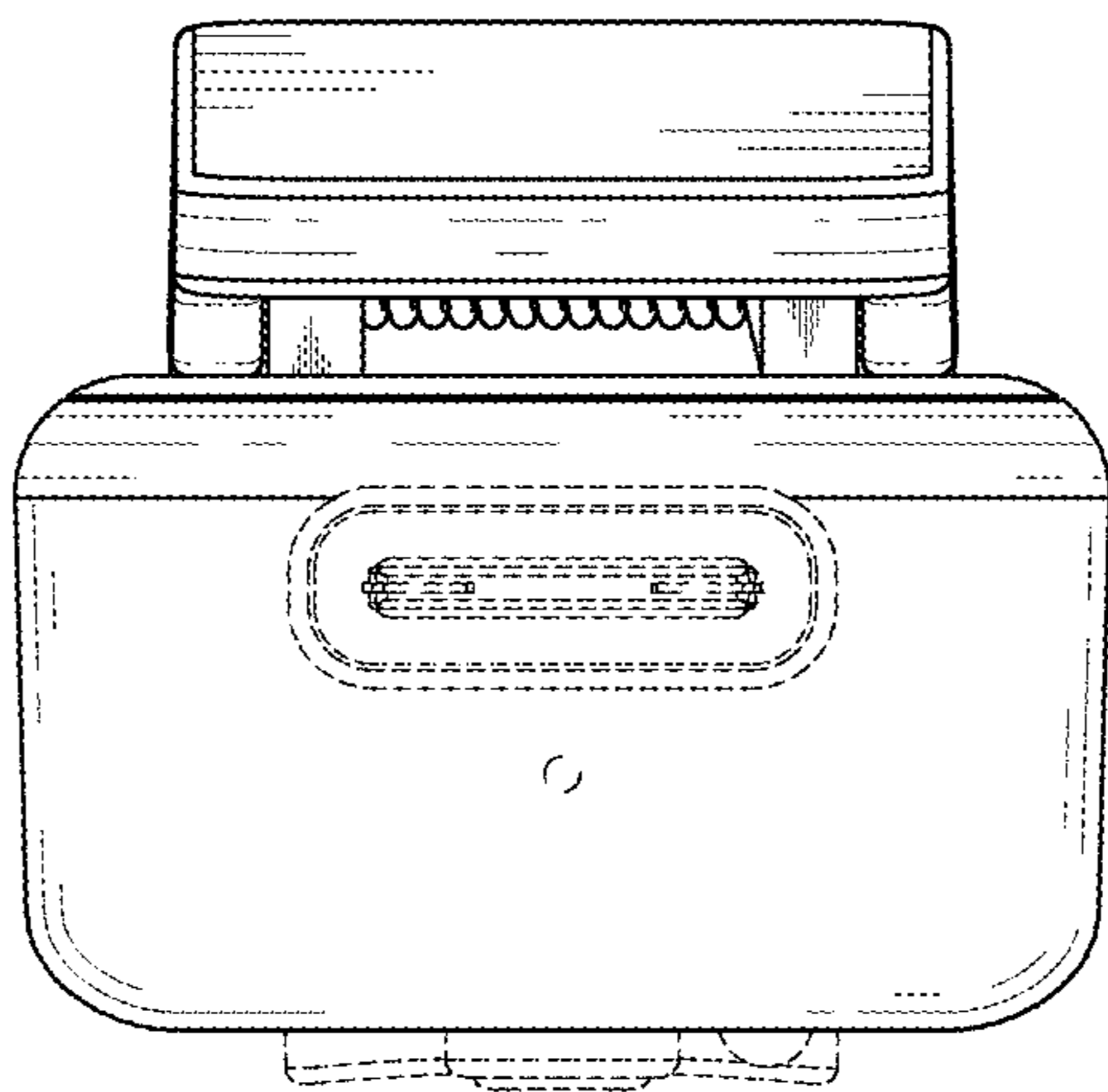


FIG. 6

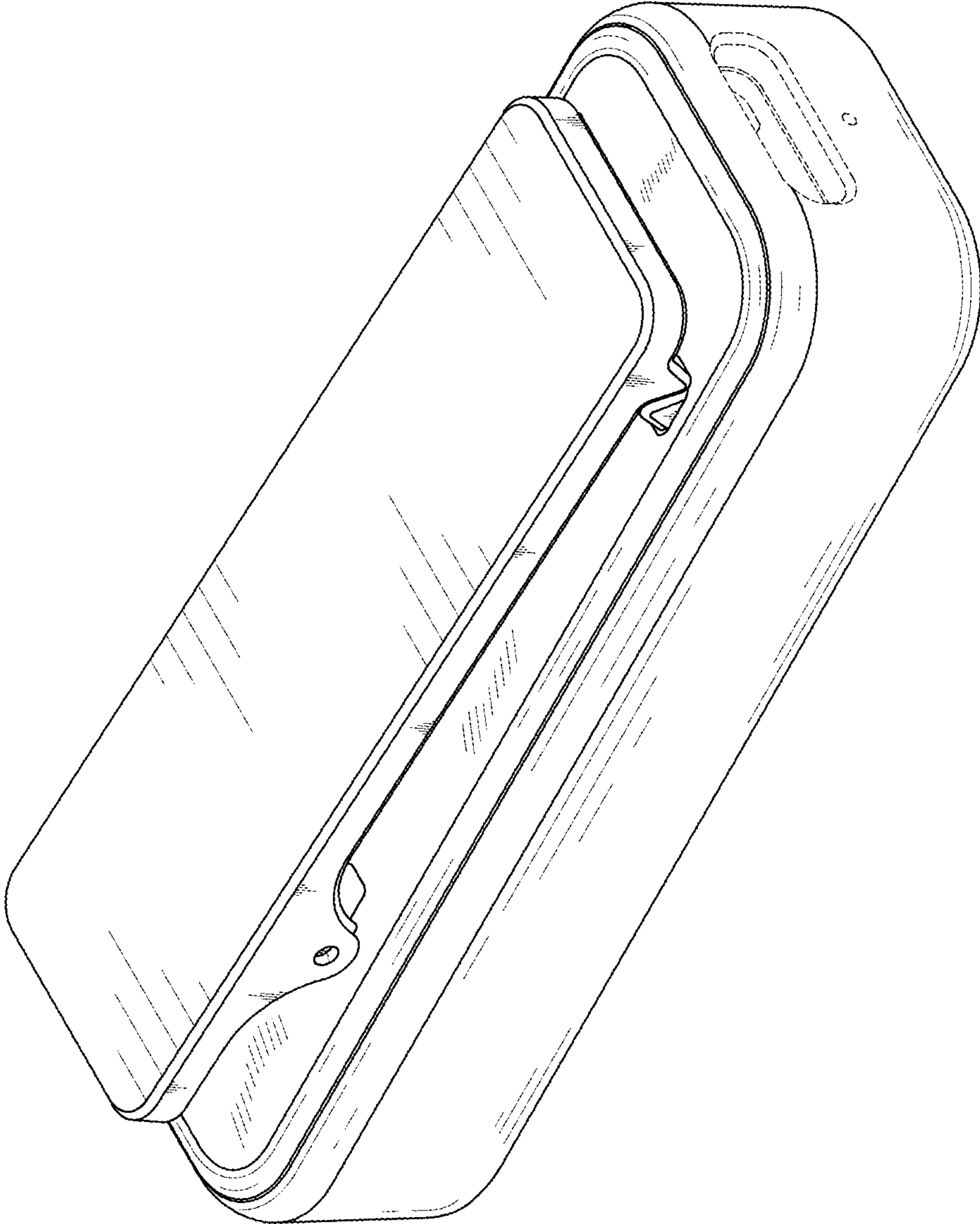


FIG. 7