

US00D960865S

(12) **United States Design Patent**
Guo

(10) **Patent No.:** **US D960,865 S**

(45) **Date of Patent:** **** Aug. 16, 2022**

(54) **HEADPHONES**

(71) Applicant: **Ting Guo**, Shenzhen (CN)

(72) Inventor: **Ting Guo**, Shenzhen (CN)

(**) Term: **15 Years**

(21) Appl. No.: **29/755,666**

(22) Filed: **Oct. 22, 2020**

(51) **LOC (13) Cl.** **14-01**

(52) **U.S. Cl.**
USPC **D14/206**; D14/226

(58) **Field of Classification Search**
USPC D14/206, 226, 205, 215, 219; D29/112;
2/209; 381/380, 381, 374, 370;
D12/203, 216
CPC H04R 25/00; H04R 25/02; H04R 1/1066;
H04R 1/1016; H04R 5/033; H04R
5/0335; H04R 1/105; H04R 1/1075;
H04R 1/1008; H04R 1/1083; H04R
1/1091

See application file for complete search history.

(56) **References Cited**

U.S. PATENT DOCUMENTS

D156,329 S *	12/1949	Federico et al.	D14/227
2,876,628 A *	3/1959	Dixon, Jr.	E02B 3/123 405/20
D235,210 S *	5/1975	Hill	D14/205
4,424,881 A *	1/1984	Hattori	H04R 1/025 181/150
6,654,966 B2 *	12/2003	Rolla	H04R 5/0335 D14/206
6,905,000 B1 *	6/2005	Viveros	H04R 1/1016 181/129
D585,871 S *	2/2009	Lee	D14/205
D652,021 S *	1/2012	Miyawaki	D14/216
D652,022 S *	1/2012	Miyawaki	D14/216
D662,080 S *	6/2012	Carr	D14/205
D673,136 S *	12/2012	Kelly	D14/205

D690,284 S *	9/2013	Brennwald	D14/205
D712,872 S *	9/2014	Yuen	D14/205
D745,859 S *	12/2015	Kiuchi	D14/205
D746,790 S *	1/2016	Strasberg	D14/205
D766,870 S *	9/2016	Catalano	D14/216
D784,956 S *	4/2017	Homewood	D14/205
D785,593 S *	5/2017	Nakagawa	D14/205
D787,470 S *	5/2017	Kelly	D14/205
9,774,943 B1 *	9/2017	Weitzner	H04R 1/105
D812,588 S *	3/2018	Levine	D14/225
D812,589 S *	3/2018	Wernblad	D14/205
D815,615 S *	4/2018	Wernblad	D14/205
D829,079 S *	9/2018	Halling	D8/349
D841,615 S *	2/2019	Bian	D14/205
D841,616 S *	2/2019	Bian	D14/205

(Continued)

FOREIGN PATENT DOCUMENTS

CN	305661449	*	3/2020
CN	307118797	*	2/2022

(Continued)

Primary Examiner — Paula Allen Greene

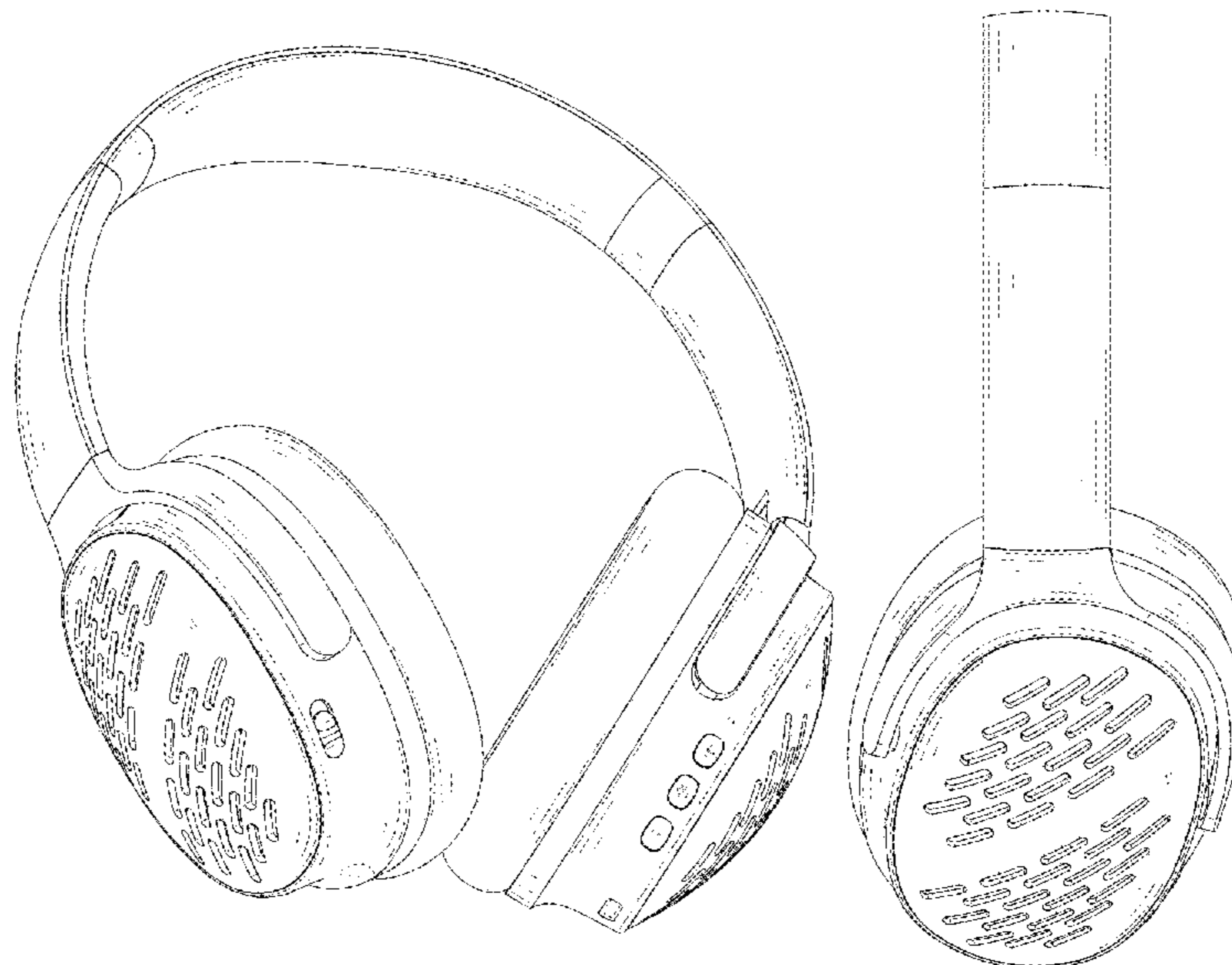
(57) **CLAIM**

The ornamental design for headphones, as shown and described.

DESCRIPTION

FIG. 1 is a perspective view of headphones showing my new design;
FIG. 2 is another perspective view thereof;
FIG. 3 is a front elevational view thereof;
FIG. 4 is a rear elevational view thereof;
FIG. 5 is a left side elevational view thereof;
FIG. 6 is a right side elevational view thereof;
FIG. 7 is a top plan view thereof; and,
FIG. 8 is a bottom plan view thereof.
The broken lines in the drawings depict portions of the headphones that form no part of the claimed design.

1 Claim, 8 Drawing Sheets



(56)

References Cited

U.S. PATENT DOCUMENTS

D851,064 S * 6/2019 Wang D14/206
 D852,164 S * 6/2019 Mei D14/205
 D869,432 S * 12/2019 Jung D14/205
 D904,341 S * 12/2020 He D14/206
 D910,594 S * 2/2021 Chen D14/206
 D936,632 S * 11/2021 Zhong D14/205
 D944,767 S * 3/2022 He D14/206
 D947,813 S * 4/2022 He D14/206
 2003/0103637 A1* 6/2003 Huang H04R 1/1075
 381/74
 2005/0053255 A1* 3/2005 Harris H04R 1/1066
 381/370
 2008/0166002 A1* 7/2008 Amsel H04R 1/026
 381/370
 2014/0341415 A1* 11/2014 Camello H04R 1/323
 381/379
 2015/0326974 A1* 11/2015 Skubinski, III H04R 31/00
 381/431
 2016/0192064 A1* 6/2016 Timothy H04R 1/2815
 381/74
 2020/0252710 A1* 8/2020 Bottoni H04R 1/1008

FOREIGN PATENT DOCUMENTS

CN 307255556 * 4/2022
 CN 307293524 * 4/2022
 JP D1708213 * 2/2022
 WO D220996-001 * 5/2022

* cited by examiner



FIG. 1



FIG. 2



FIG. 3



FIG. 4

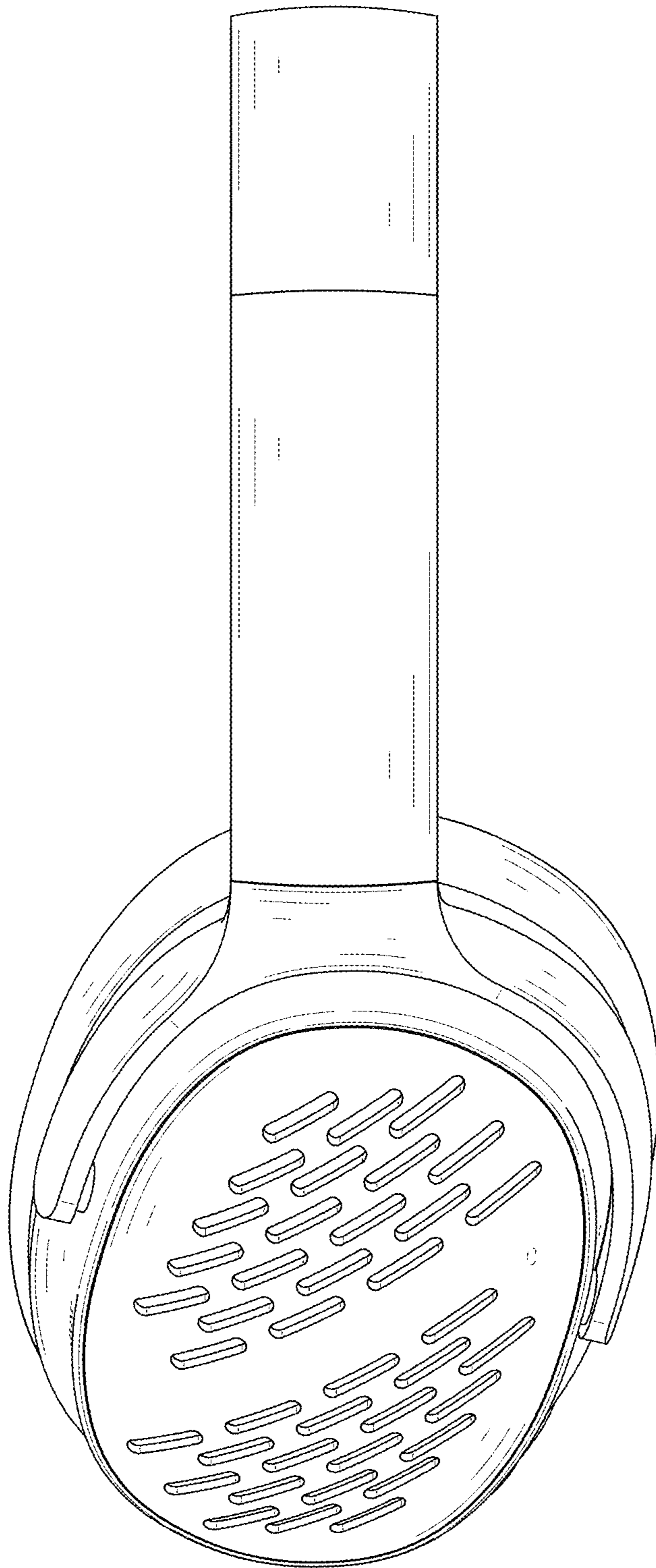


FIG. 5

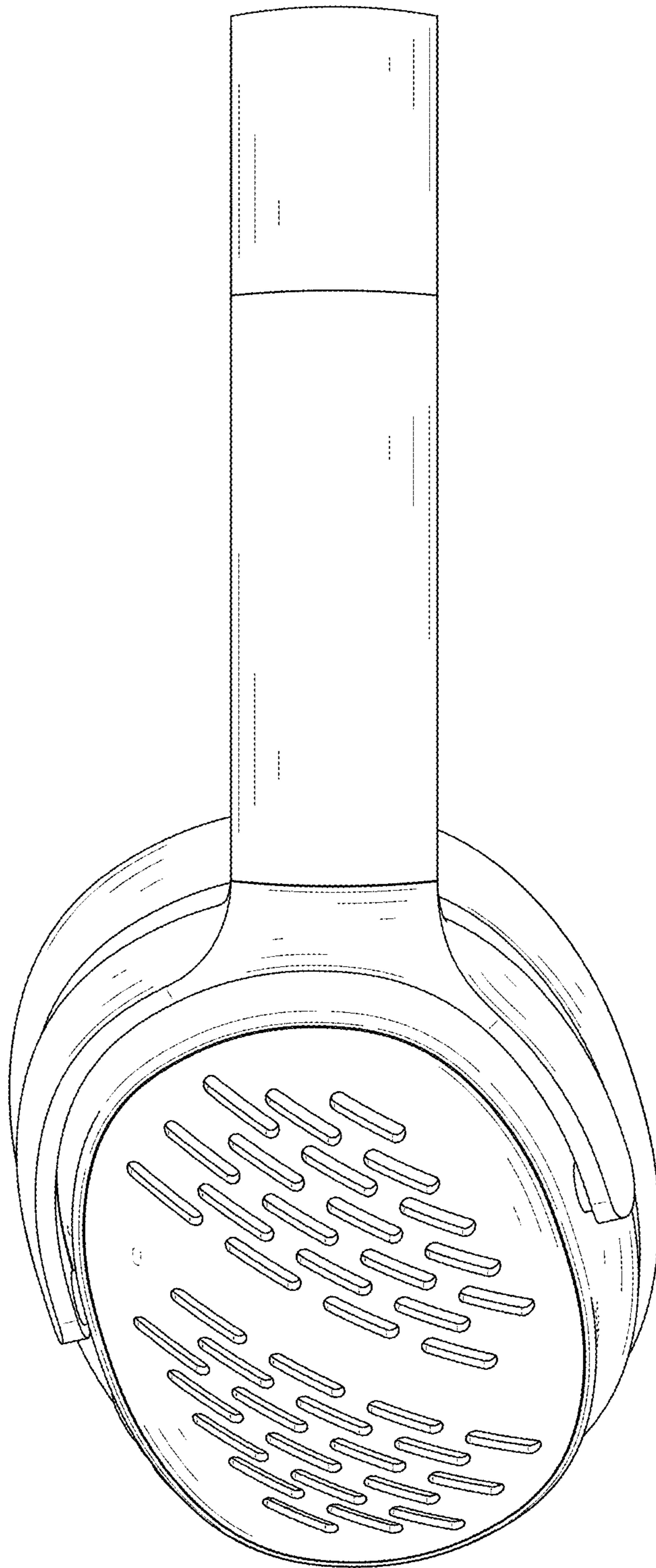


FIG. 6

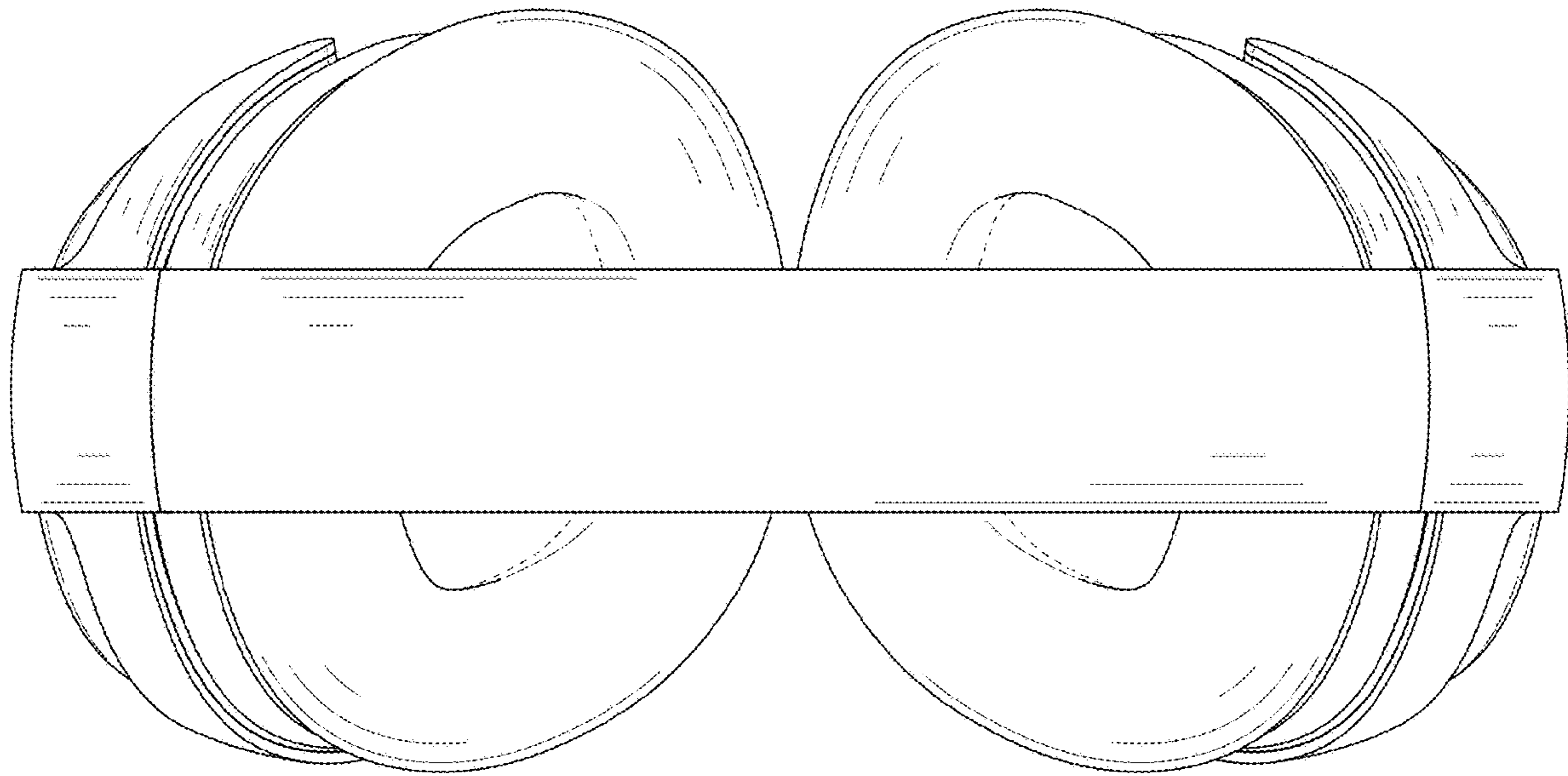


FIG. 7

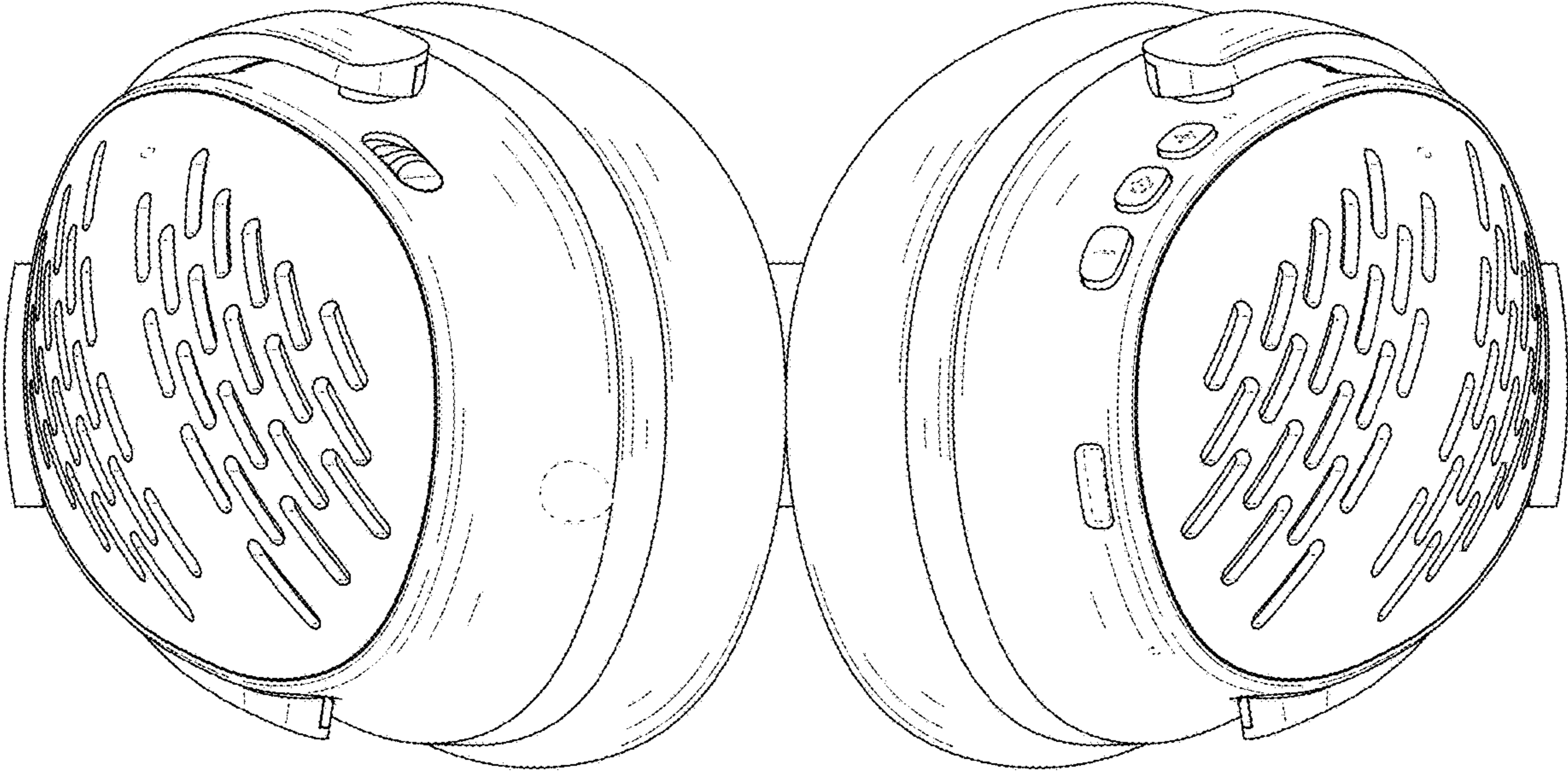


FIG. 8