

US00D960864S

(12) **United States Design Patent**
Ahovi et al.

(10) **Patent No.:** **US D960,864 S**
(45) **Date of Patent:** **** Aug. 16, 2022**

(54) **HEADSET**
(71) Applicant: **Microsoft Corporation**, Redmond, WA (US)
(72) Inventors: **Elie E. Ahovi**, Seattle, WA (US); **Carl J. Ledbetter**, Mercer Island, WA (US); **Yao Lu**, Suzhou (CN)
(73) Assignee: **Microsoft Corporation**, Redmond, WA (US)

4,926,961 A * 5/1990 Gattey H04R 1/08
181/22
D337,116 S * 7/1993 Hattori D14/206
5,369,857 A * 12/1994 Sacherman H04R 5/0335
379/430

(Continued)

FOREIGN PATENT DOCUMENTS

EA 008781702-0001 12/2021
EM 008781702-0001 * 12/2021

(Continued)

(**) Term: **15 Years**

OTHER PUBLICATIONS

(21) Appl. No.: **29/748,317**

“Office Action Issued in PCT Application No. WIPO101928”, dated Oct. 29, 2021, 7 Pages.

(Continued)

(22) Filed: **Aug. 28, 2020**

(51) **LOC (13) Cl.** **14-01**

(52) **U.S. Cl.**

USPC **D14/206**; D14/226

(58) **Field of Classification Search**

USPC D14/206, 226, 205; D29/112; 2/209;
381/380–381, 374, 74; 455/90.3, 575.1,
455/569.1

CPC H04R 25/00; H04R 25/02; H04R 1/1016;
H04R 1/1066; H04R 5/033; H04R
5/0335; H04R 19/04; H04R 11/04; H04R
1/1008; H04R 1/1091

See application file for complete search history.

Primary Examiner — Paula Allen Greene

(74) *Attorney, Agent, or Firm* — Banner & Witcoff, Ltd.

(57) **CLAIM**

The ornamental design for a headset, as shown and described.

DESCRIPTION

FIG. 1 is a front perspective view of a headset showing our new design;

FIG. 2 is a rear perspective view thereof;

FIG. 3 is a front view thereof;

FIG. 4 is a rear view thereof;

FIG. 5 is a top view thereof;

FIG. 6 is a bottom view thereof;

FIG. 7 is a left side view thereof; and,

FIG. 8 is a right side view thereof.

The broken lines depicting the remainder of the headset in FIGS. 1-8 show features that form no part of the claimed design.

(56) **References Cited**

U.S. PATENT DOCUMENTS

1,555,997 A * 10/1925 Lidberg H04R 1/1066
381/374
2,586,644 A * 2/1952 Gilbert H04R 5/0335
D14/206
3,548,118 A * 12/1970 Hutchings H04M 1/05
379/430
3,781,492 A * 12/1973 Cragg H04R 1/08
379/430
D233,444 S * 10/1974 Christian D14/206
4,420,657 A * 12/1983 Larkin H04M 1/05
381/189

1 Claim, 8 Drawing Sheets

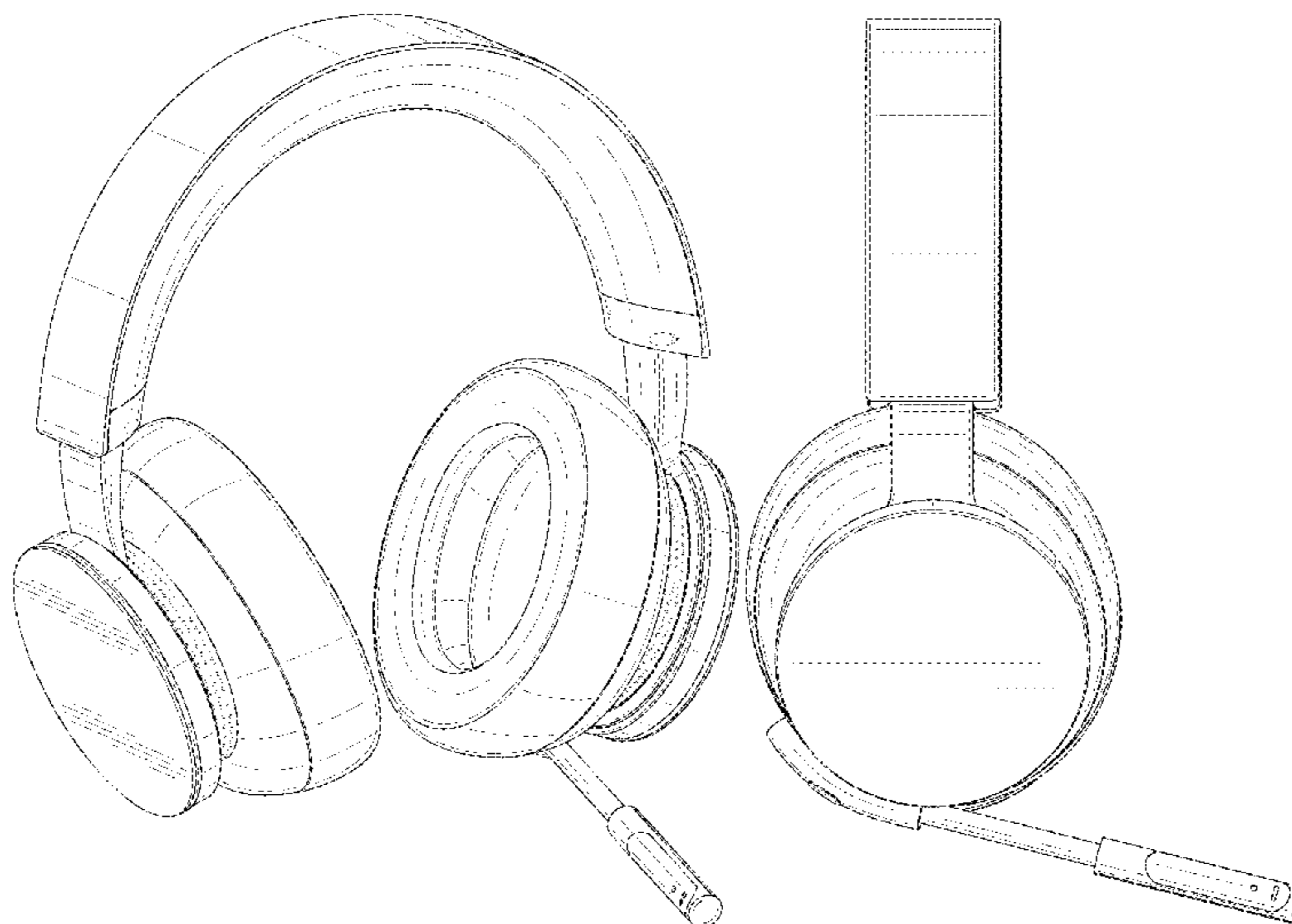




FIG. 1



FIG. 2



FIG. 3



FIG. 4

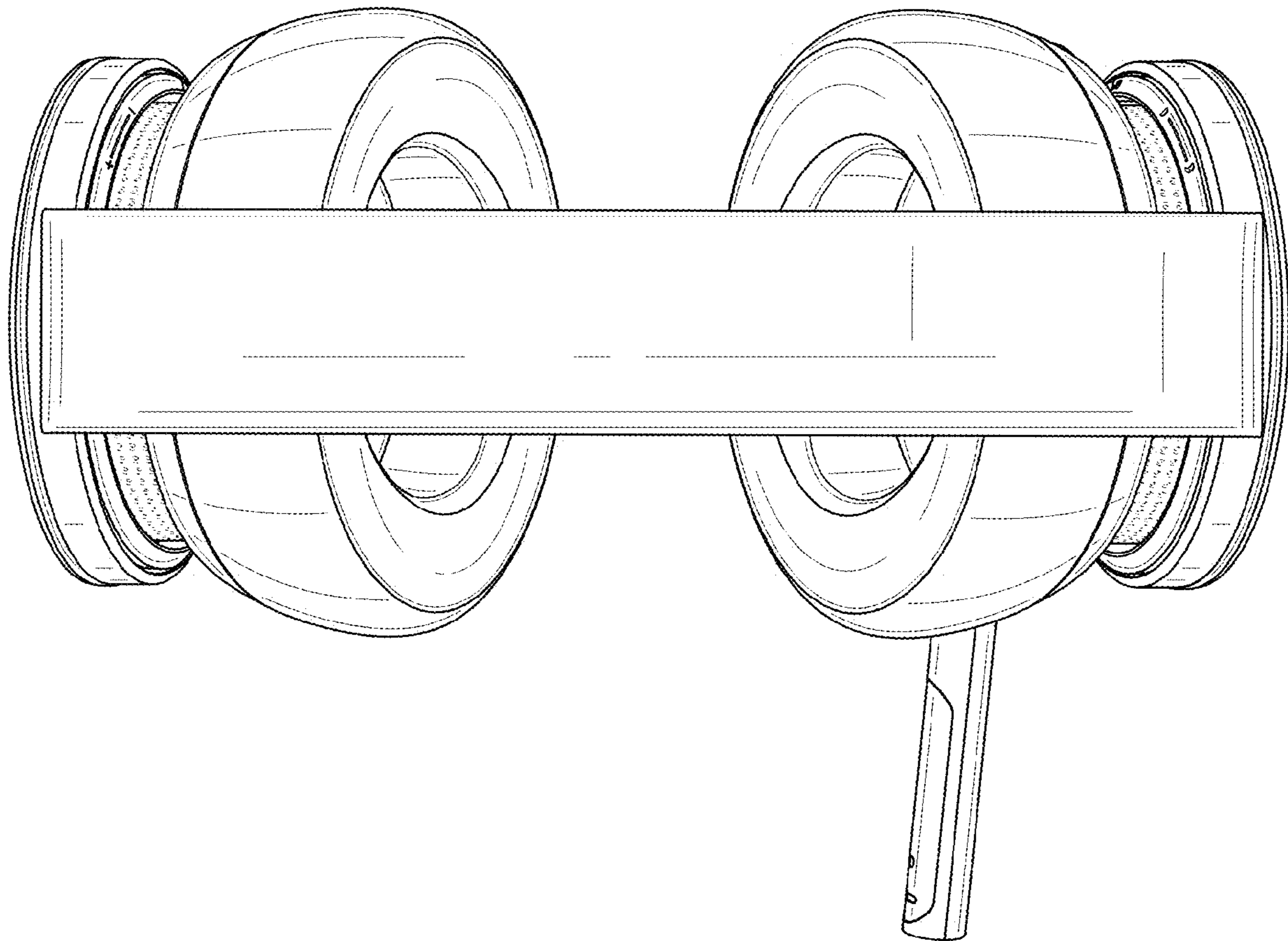


FIG. 5

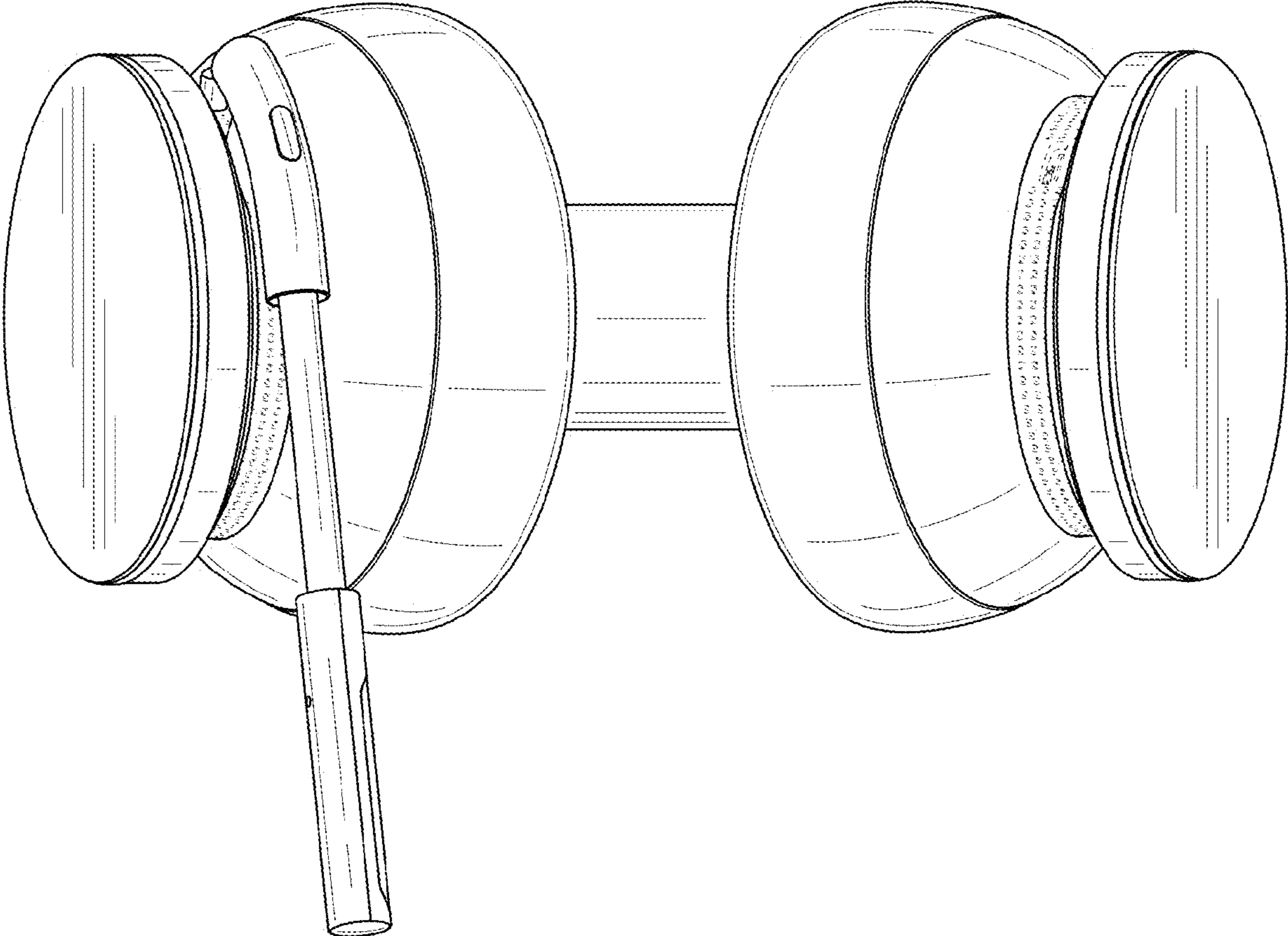


FIG. 6

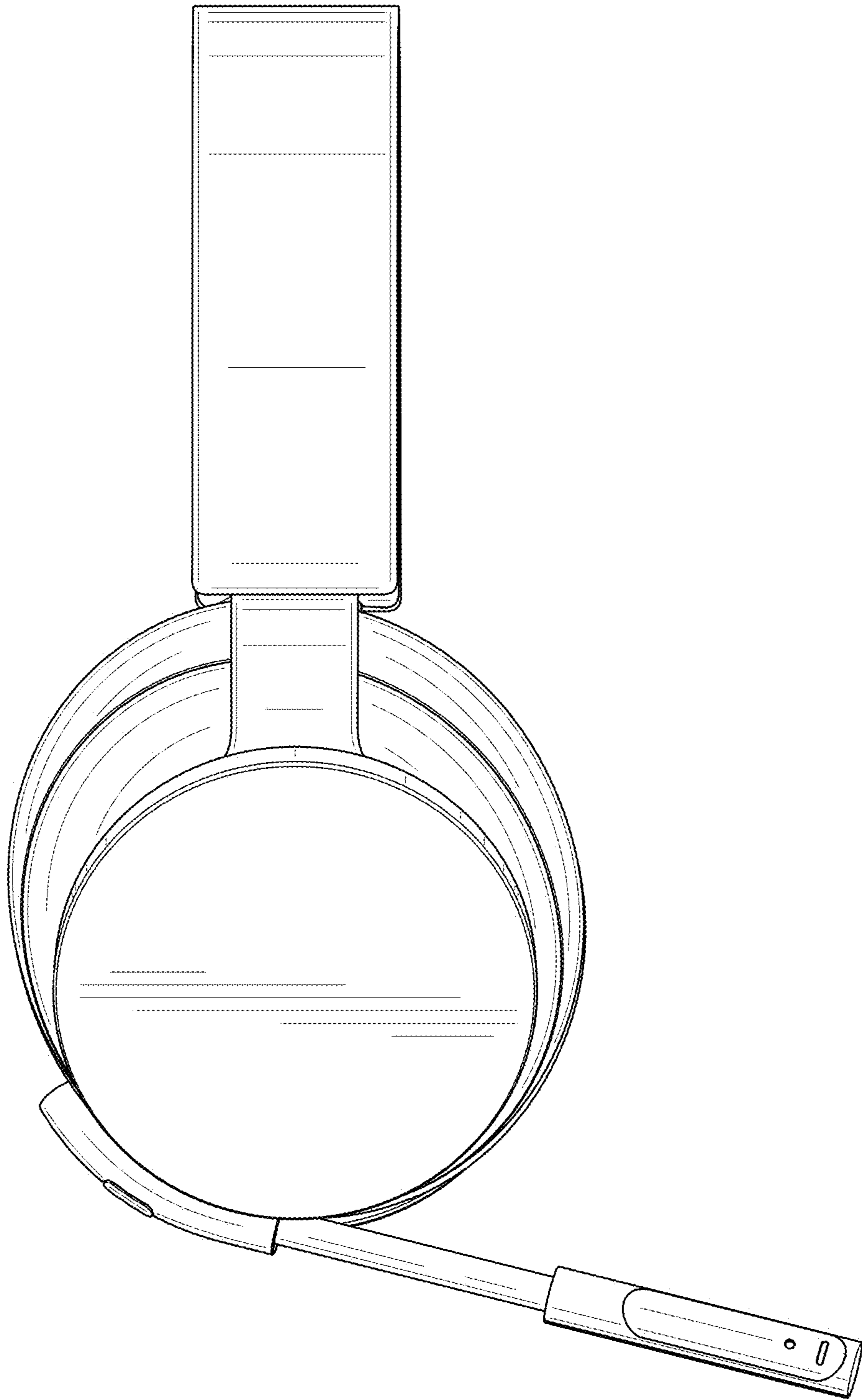


FIG. 7

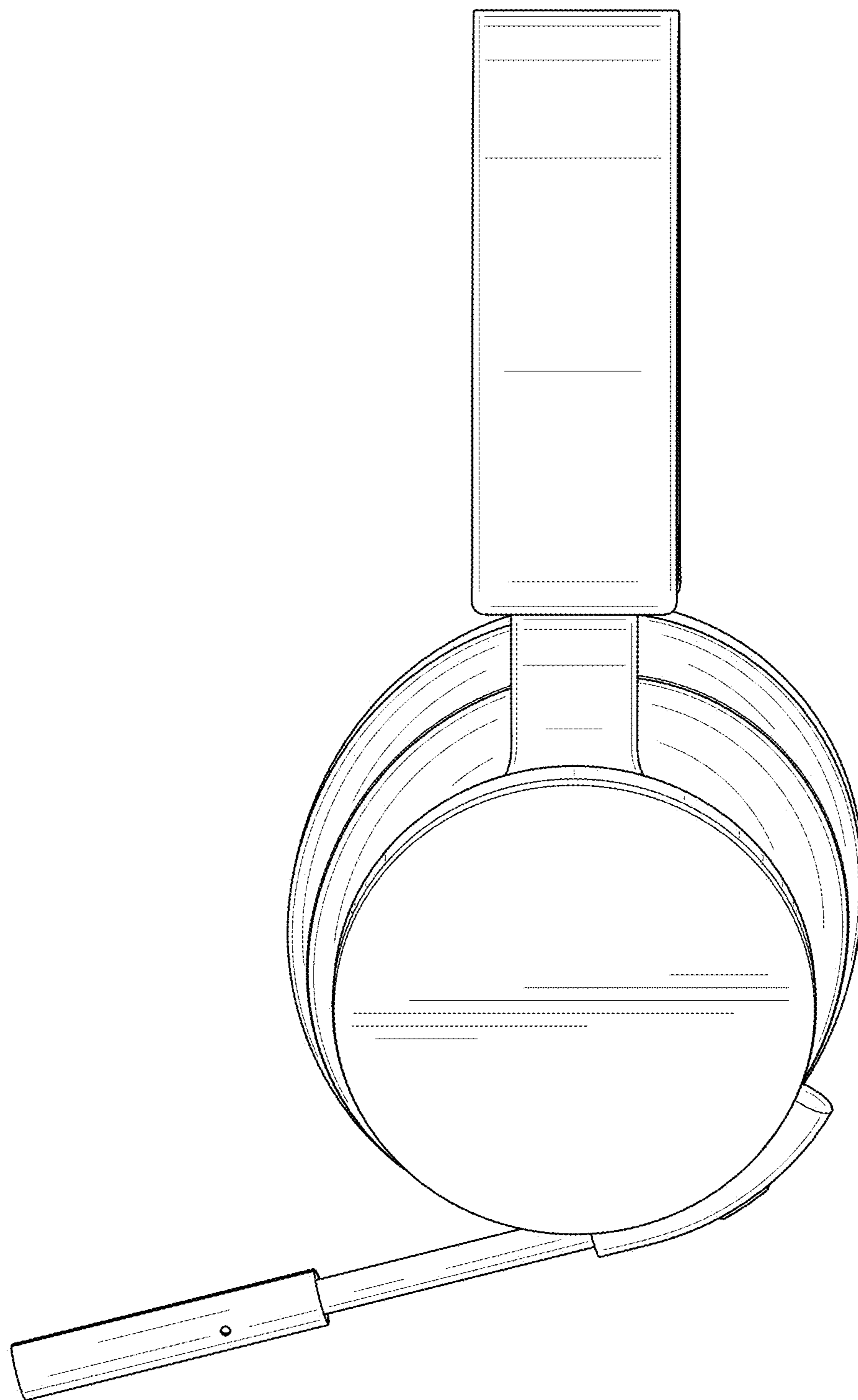


FIG. 8