



US00D960862S

(12) **United States Design Patent**  
**Zheng**

(10) **Patent No.:** **US D960,862 S**

(45) **Date of Patent:** **\*\* Aug. 16, 2022**

- (54) **WIRELESS LOUDSPEAKER BOX**
- (71) Applicant: **Shenzhen Baogesheng Technology Co., Ltd., Shenzhen (CN)**
- (72) Inventor: **Jinglin Zheng, Shenzhen (CN)**
- (73) Assignee: **Shenzhen Baogesheng Technology Co., Ltd., Shenzhen (CN)**
- (\*\*) Term: **15 Years**
- (21) Appl. No.: **29/799,326**
- (22) Filed: **Jul. 14, 2021**
- (51) **LOC (13) Cl.** ..... **14-01**
- (52) **U.S. Cl.**  
USPC ..... **D14/204**
- (58) **Field of Classification Search**  
USPC ..... D3/273; D9/432; D14/356, 204, 188,  
D14/168, 203.3, 221, 217, 211, 171,  
D14/209.1, 216, 496; D16/221  
CPC . H04R 1/01; H04R 1/02; H04R 1/026; H04R  
9/06; H02J 7/0042  
See application file for complete search history.

- D607,434 S \* 1/2010 Miyazawa ..... D14/203.3
- D645,841 S \* 9/2011 Joseph ..... D14/171
- D755,754 S 5/2016 Schwartz
- D789,329 S 6/2017 Tse
- D886,789 S \* 6/2020 Huang ..... D14/204
- D916,045 S 4/2021 Wu
- D929,363 S \* 8/2021 He ..... D14/204

\* cited by examiner

*Primary Examiner* — Khawaja Anwar

*Assistant Examiner* — Megan Tiana Rakos

(74) *Attorney, Agent, or Firm* — True Shepherd LLC;  
Andrew C. Cheng

(57) **CLAIM**

The ornamental design for a wireless loudspeaker box, as shown and described.

**DESCRIPTION**

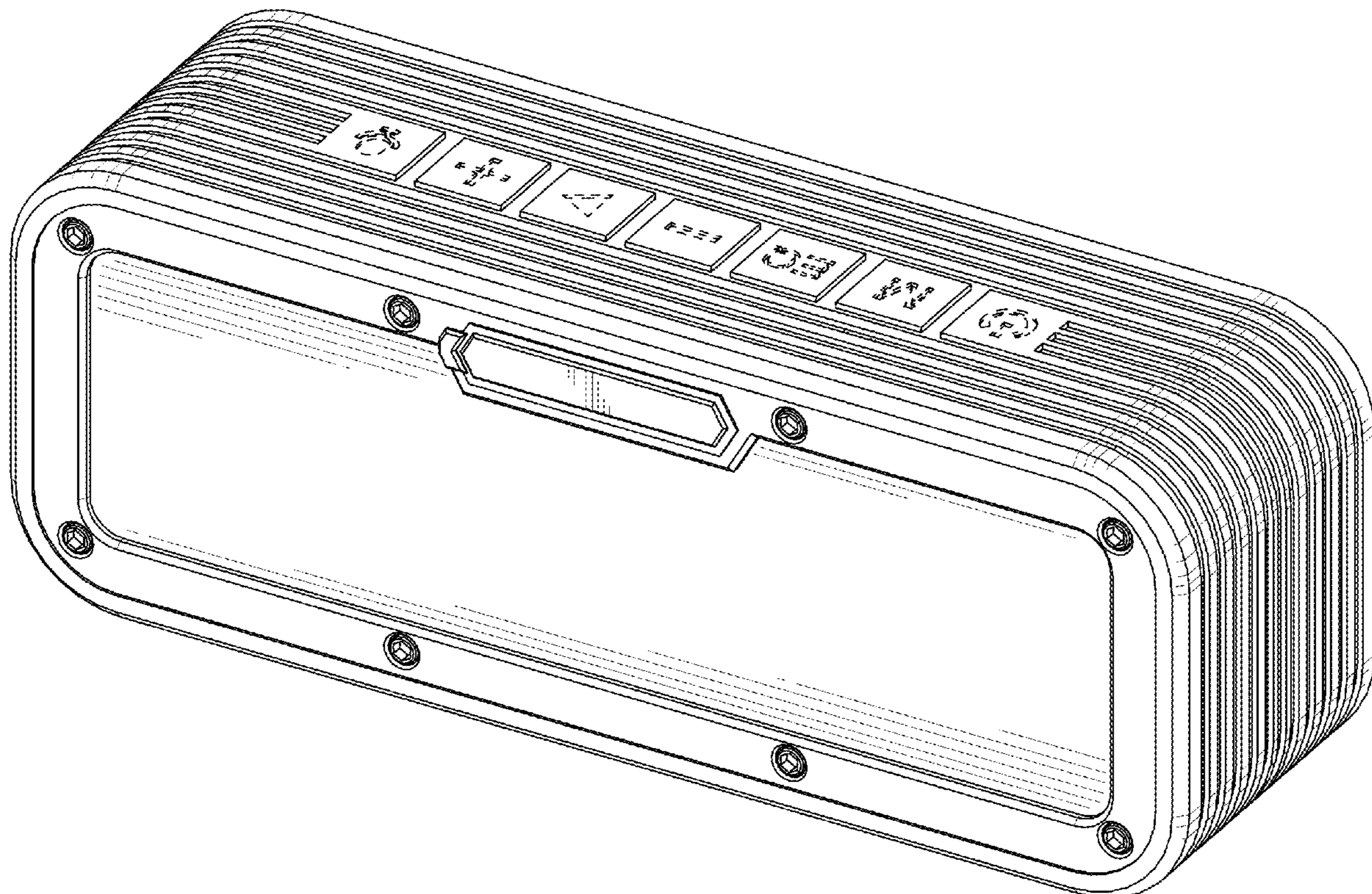
FIG. 1 is a perspective view of wireless loudspeaker box showing my new design;  
 FIG. 2 is another perspective view thereof;  
 FIG. 3 is a front view thereof;  
 FIG. 4 is a rear view thereof;  
 FIG. 5 is a left side view thereof;  
 FIG. 6 is a right side view thereof;  
 FIG. 7 is a top plan view thereof; and,  
 FIG. 8 is a bottom plan view thereof.  
 The broken lines depict portions of the wireless loudspeaker box and form no part of the claimed design.

**1 Claim, 8 Drawing Sheets**

(56) **References Cited**

**U.S. PATENT DOCUMENTS**

- D411,201 S \* 6/1999 Munoz ..... D13/184
- D598,402 S \* 8/2009 Huang ..... D14/125
- D600,251 S \* 9/2009 Poandl ..... D14/496



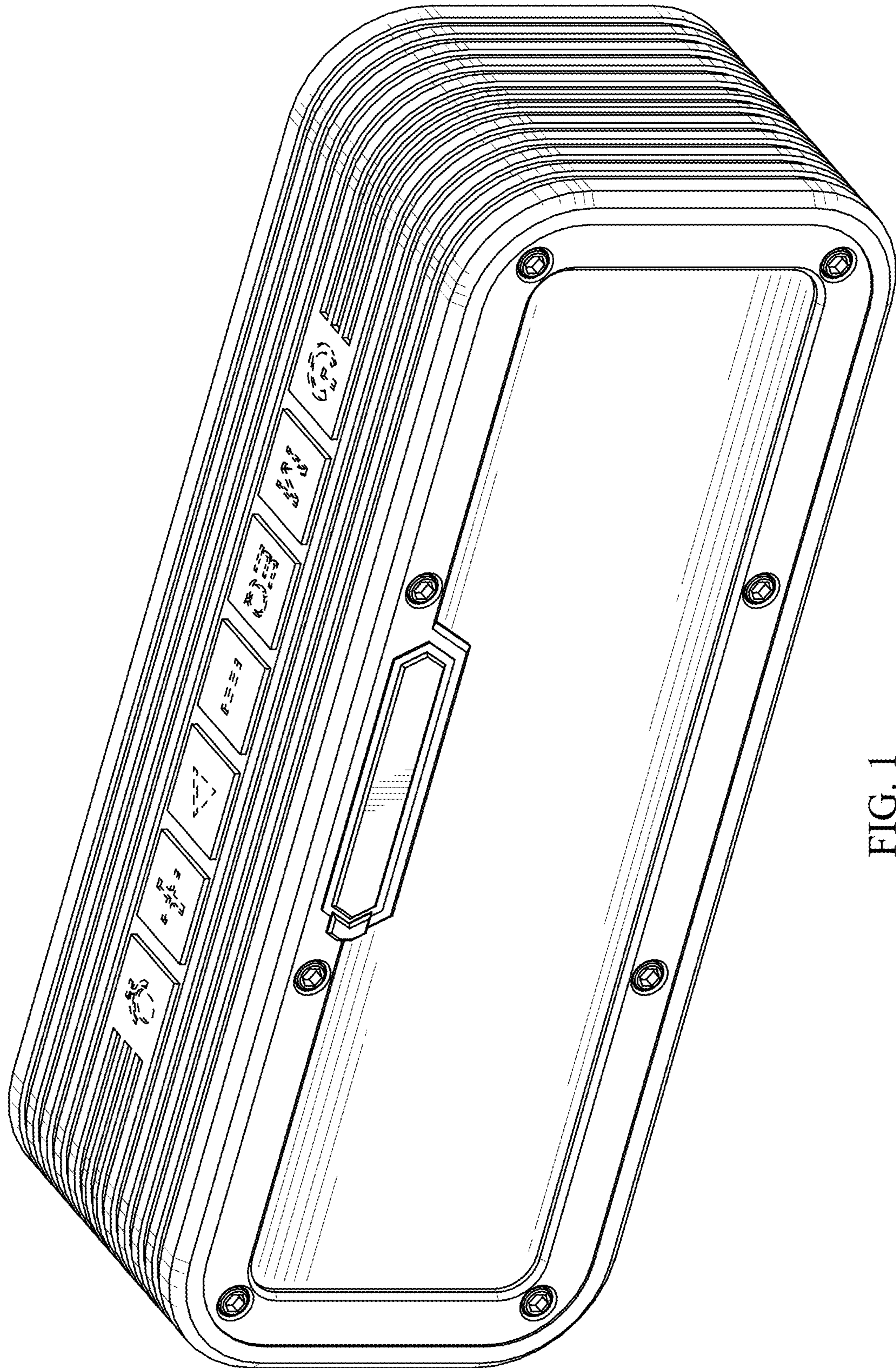


FIG. 1

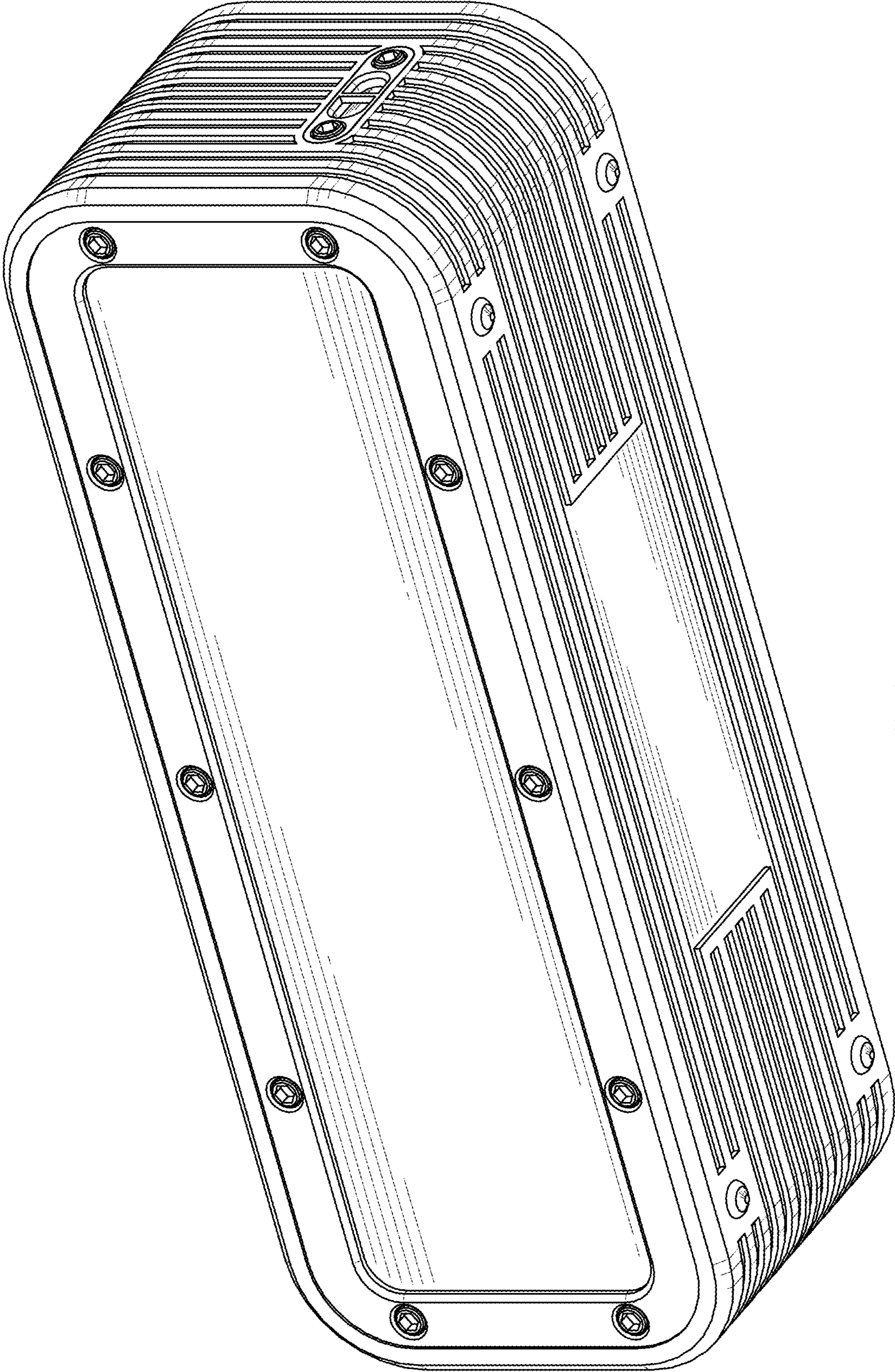


FIG. 2

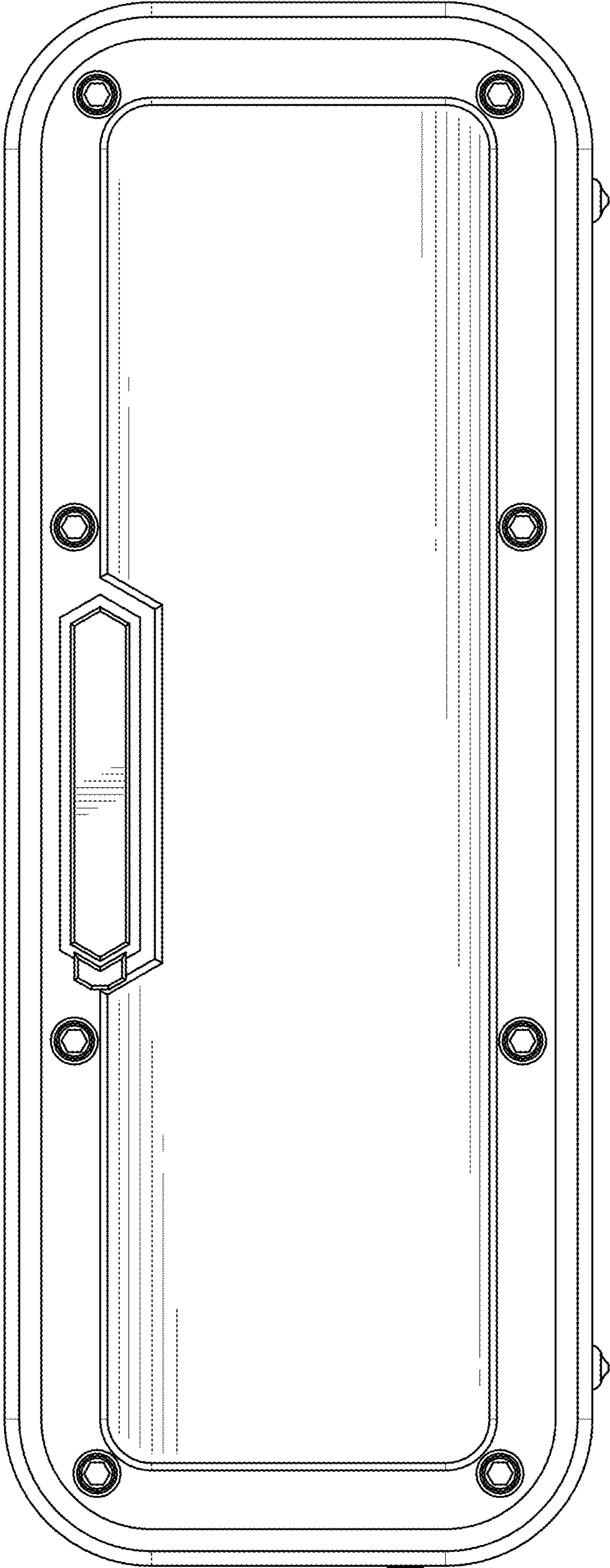


FIG. 3

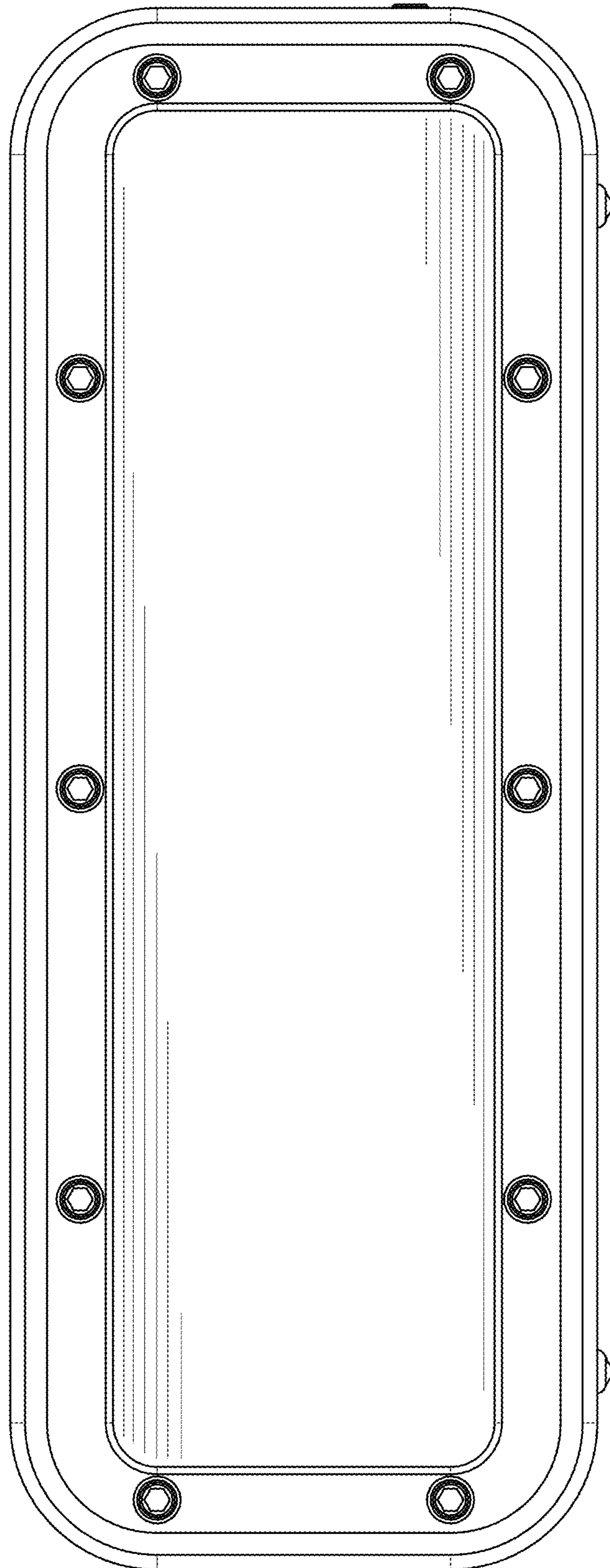


FIG. 4

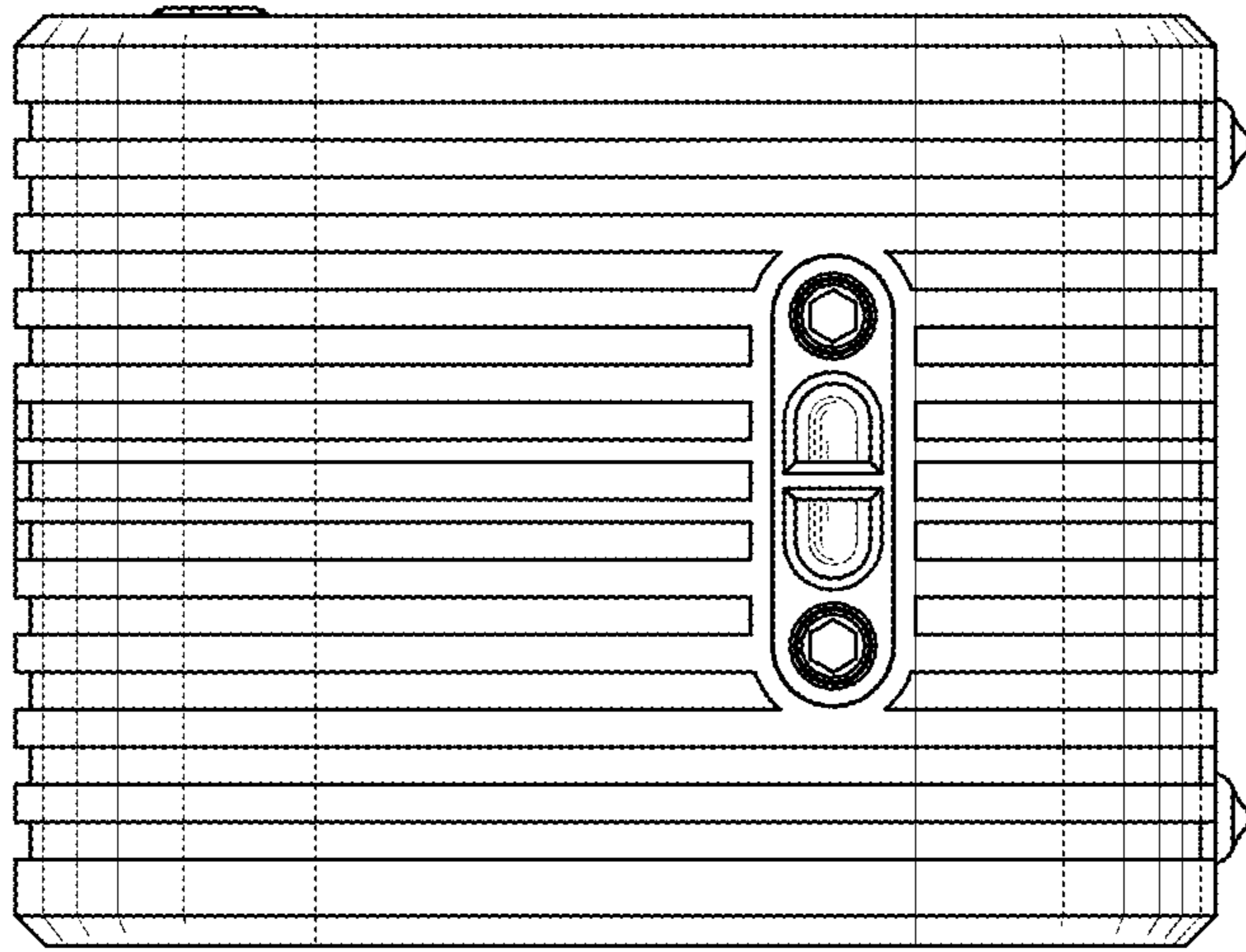


FIG. 5

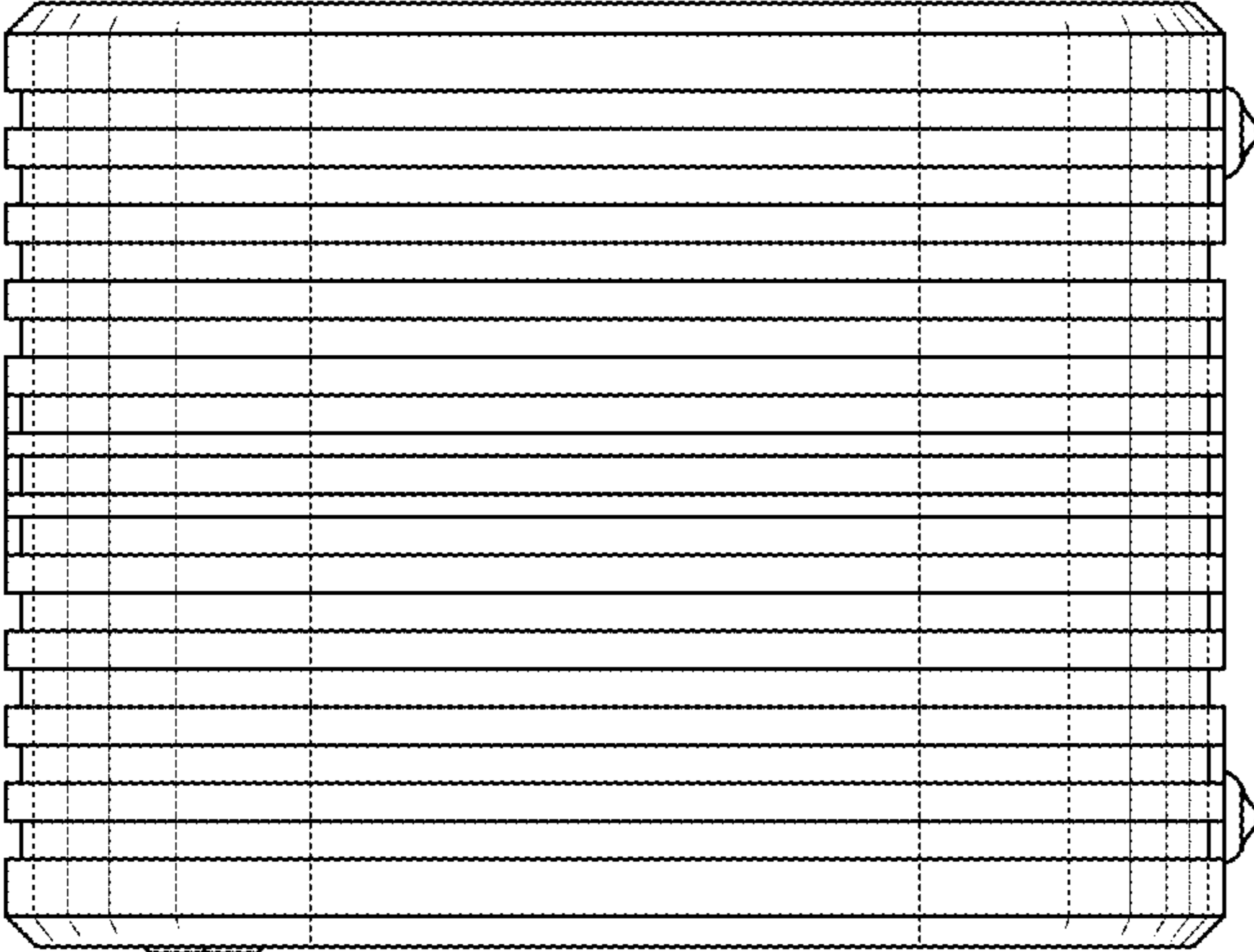


FIG. 6

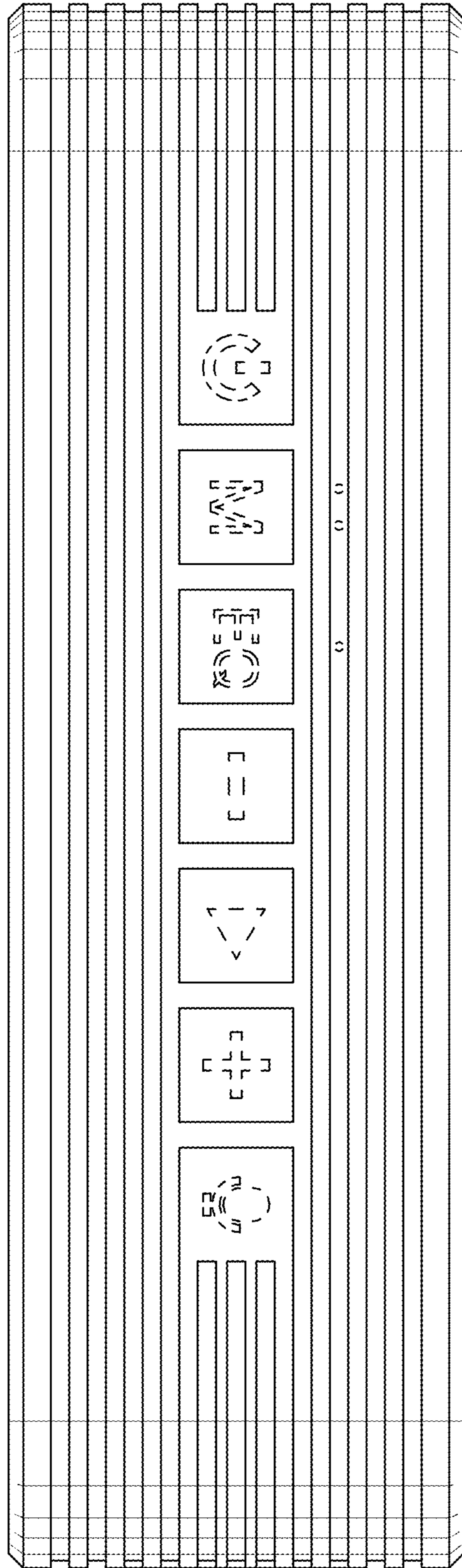


FIG. 7



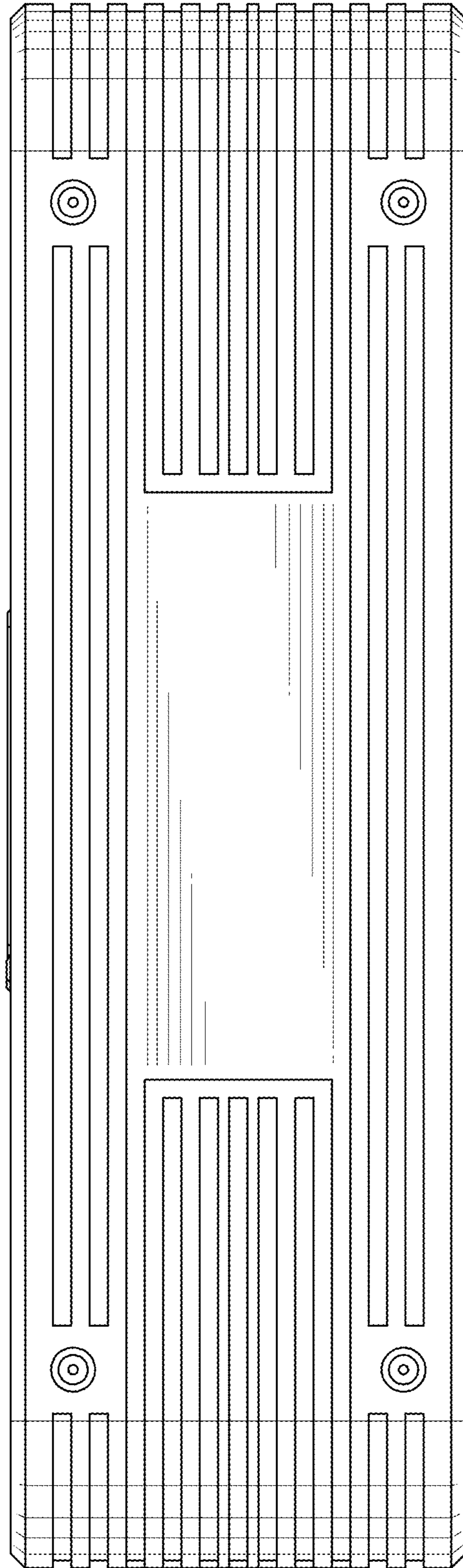


FIG. 8