

US00D960861S

(12) **United States Design Patent**  
**Zhang**

(10) **Patent No.:** **US D960,861 S**

(45) **Date of Patent:** **\*\* Aug. 16, 2022**

(54) **OUTDOOR MULTIFUNCTIONAL  
EMERGENCY DISASTER MITIGATION  
BLUETOOTH RADIO**

(71) Applicant: **Shenzhen Jiayin Nuoxin E-commerce  
Co., Ltd, Guangdong (CN)**

(72) Inventor: **Yihuo Zhang, Guangdong (CN)**

(73) Assignee: **Shenzhen Jiayin Nuoxin E-commerce  
Co., Ltd, Guangdong (CN)**

(\*\*) Term: **15 Years**

(21) Appl. No.: **29/740,681**

(22) Filed: **Jul. 7, 2020**

(51) **LOC (13) Cl.** ..... **14-01**

(52) **U.S. Cl.**  
USPC ..... **D14/204**

(58) **Field of Classification Search**  
USPC ..... D14/125, 167, 168, 170–172, 188, 193,  
D14/203.1, 203.2, 203.3, 203.4, 203.5,  
D14/203.6, 203.7, 203.8, 204, 209.1,  
D14/210–217, 219, 221, 222, 224, 226,  
D14/240, 348, 433, 496–505; D16/207,  
D16/210, 218  
CPC . B60R 11/0217; G06F 1/1688; G10K 11/004;  
H04R 1/02; H04R 1/021; H04R 1/023;  
H04R 1/025; H04R 1/026; H04R 1/028;  
H04R 1/323; H04R 1/403; H04R 1/2803;  
H04R 1/2834; H04R 5/00; H04R 5/02;  
H04R 9/06; H04R 2420/07; H04R  
2201/021

See application file for complete search history.

(56) **References Cited**

**U.S. PATENT DOCUMENTS**

D340,243 S \* 10/1993 Yuen ..... D14/171  
D587,675 S \* 3/2009 Xie ..... D14/168

D622,260 S \* 8/2010 Poandl ..... D14/171  
D749,541 S \* 2/2016 Wong ..... D14/170  
D771,583 S \* 11/2016 Chan ..... D14/188  
D793,993 S \* 8/2017 Song ..... D14/214  
D794,604 S \* 8/2017 Cheney ..... D14/210  
D822,000 S \* 7/2018 Lin ..... D14/214  
D840,966 S \* 2/2019 Cheney ..... D14/204  
D864,907 S \* 10/2019 Cheney ..... D14/210  
D875,715 S \* 2/2020 Cheney ..... D14/210  
D879,738 S \* 3/2020 Guo ..... D14/188  
D903,628 S \* 12/2020 Zeng ..... D14/204

\* cited by examiner

*Primary Examiner* — Ramzi Almatrahi

(74) *Attorney, Agent, or Firm* — ScienBiziP, P.C.

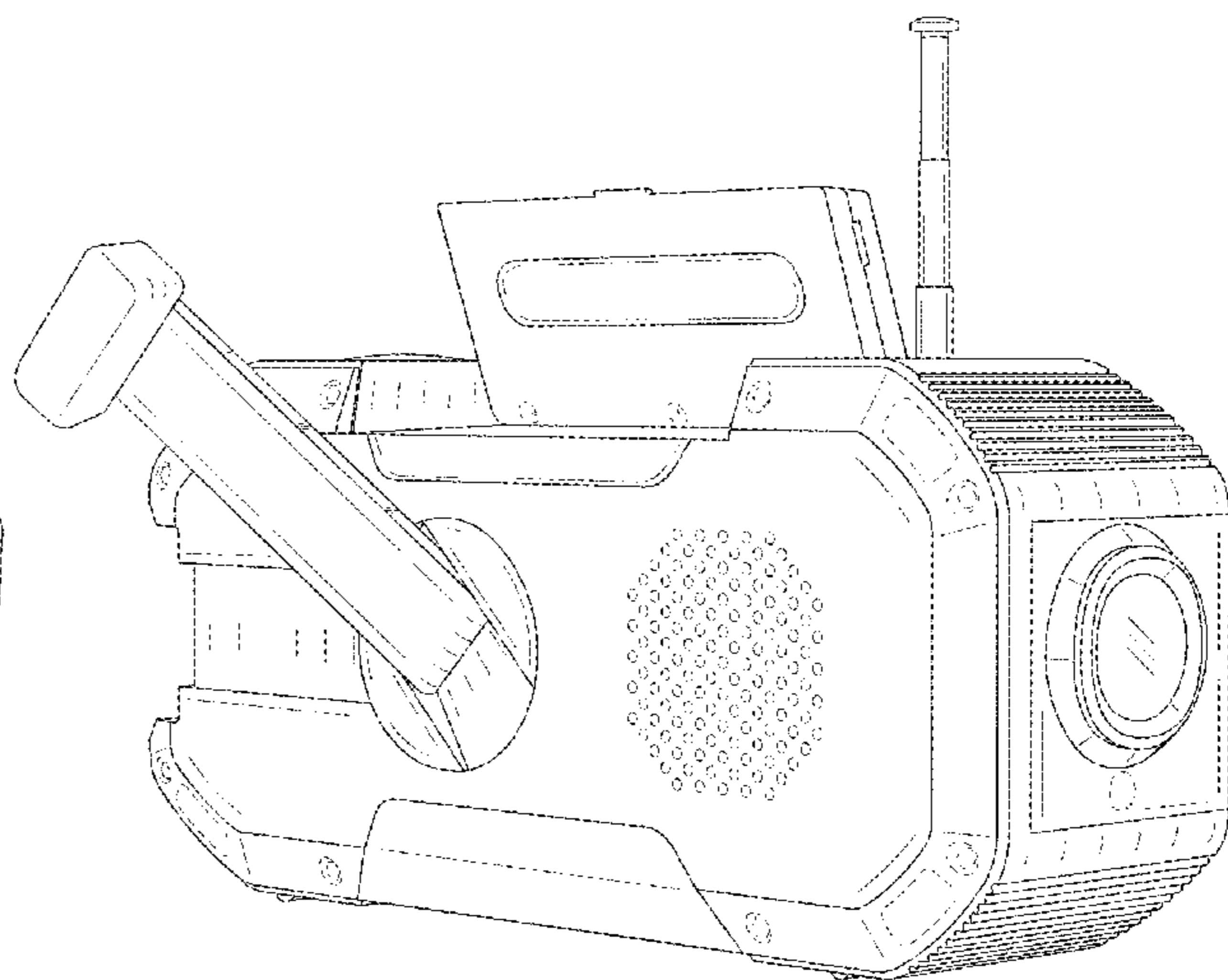
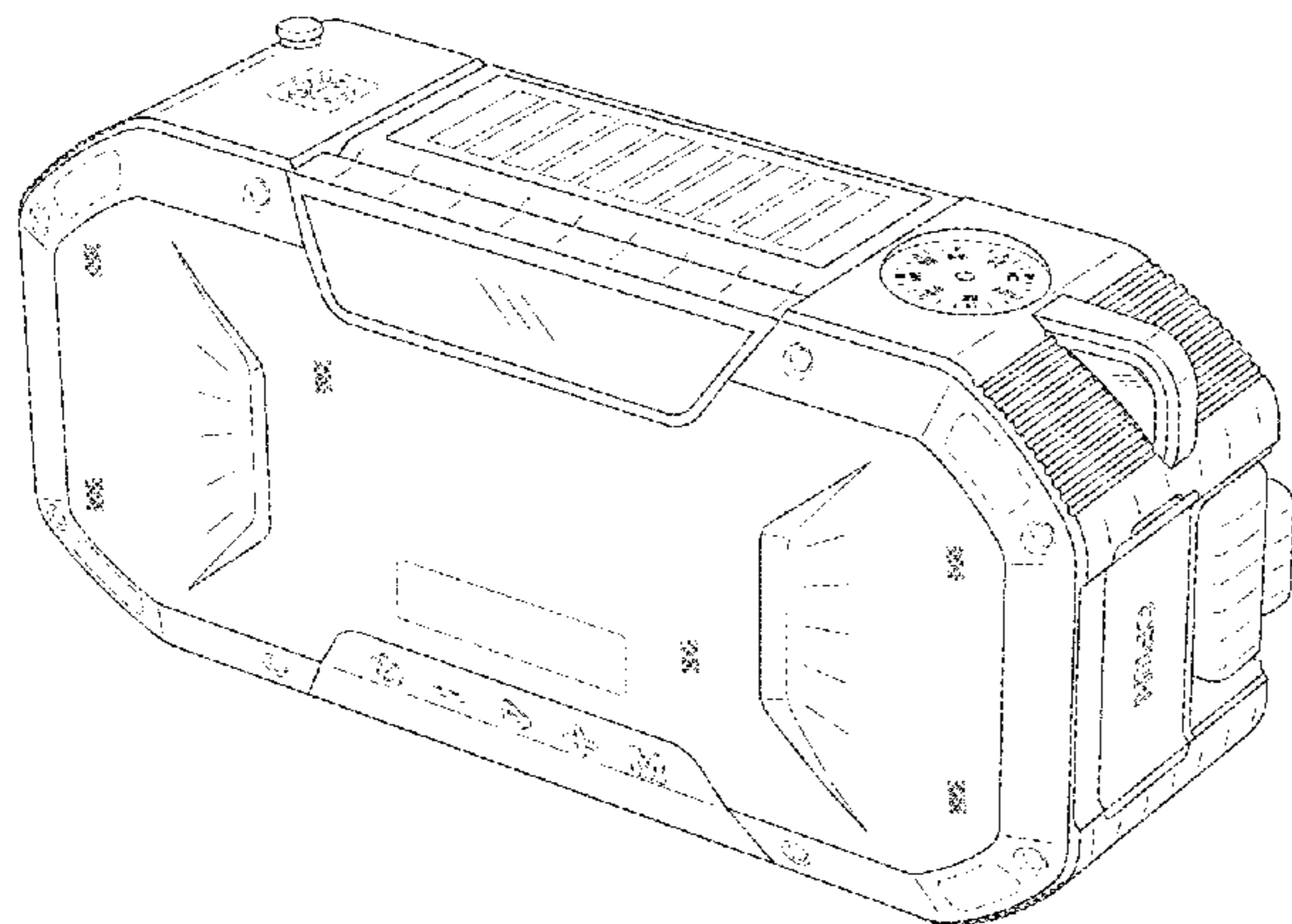
(57) **CLAIM**

The ornamental design for an outdoor multifunctional emergency disaster mitigation bluetooth radio, as shown and described.

**DESCRIPTION**

FIG. 1 is a top, front and right side perspective view of an outdoor multifunctional emergency disaster mitigation bluetooth radio, showing my new design;  
FIG. 2 is a front elevation view thereof;  
FIG. 3 is a rear elevation view thereof;  
FIG. 4 is a left side elevation view thereof;  
FIG. 5 is a right side elevation view thereof;  
FIG. 6 is a top plan view thereof;  
FIG. 7 is a bottom plan view thereof;  
FIG. 8 is a top, front and right side perspective view thereof, shown in condition of use with the lid opened and the handle in an extended configuration; and,  
FIG. 9 is a rear and left side perspective view thereof.  
The broken lines depict portions of the outdoor multifunctional emergency disaster mitigation bluetooth radio in which the design is embodied that form no part of the claimed design.

**1 Claim, 9 Drawing Sheets**



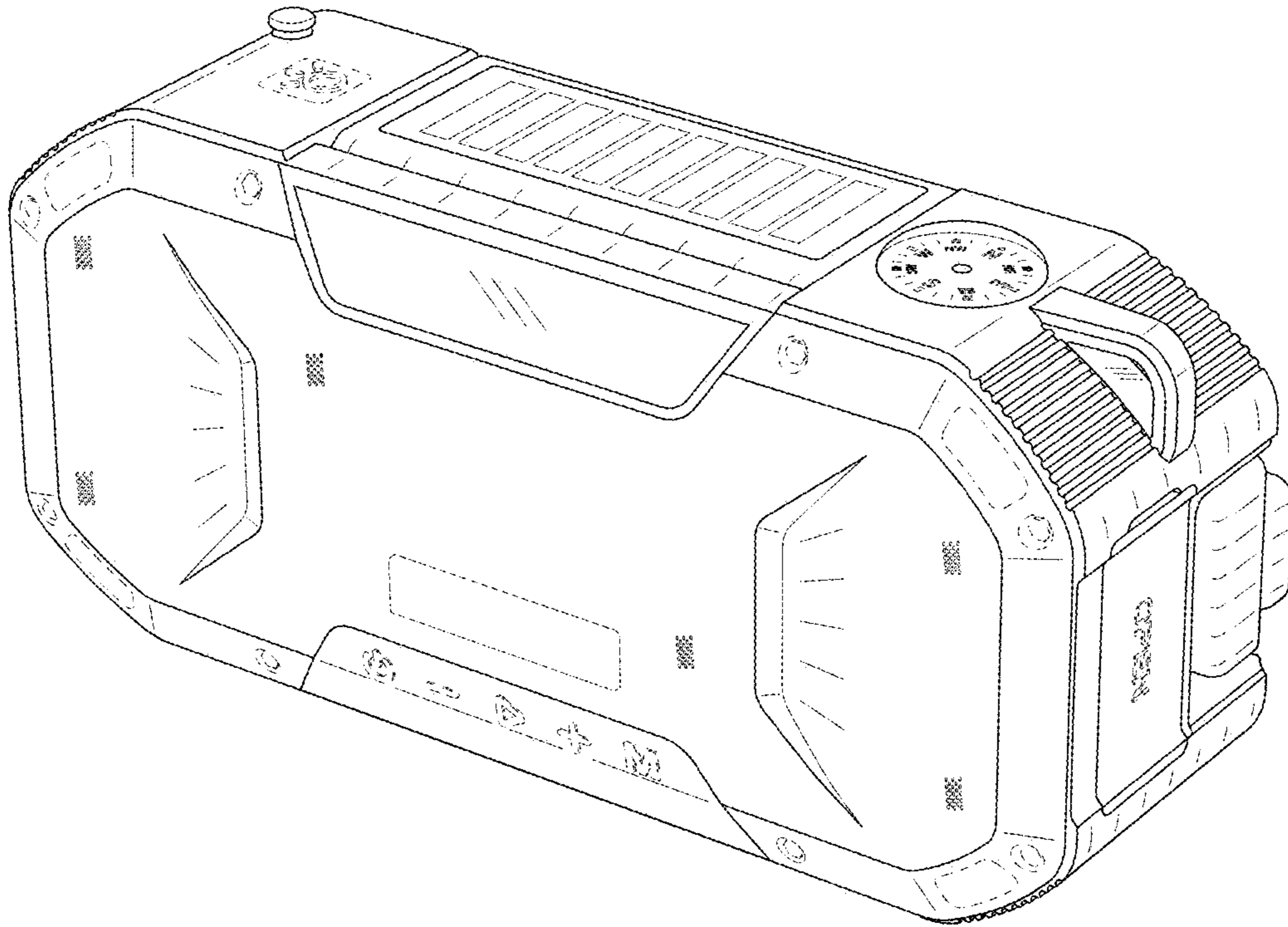


FIG. 1

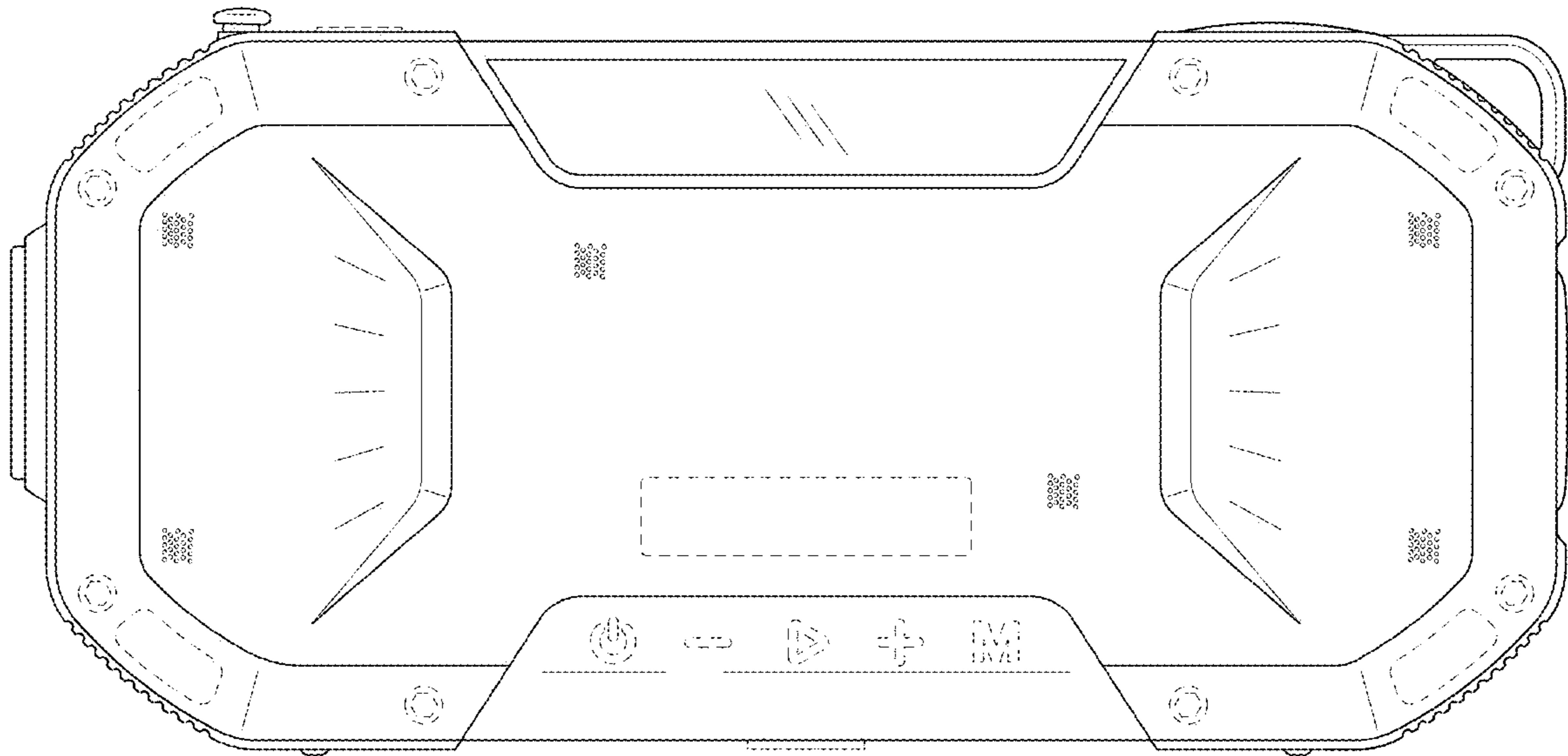


FIG.2

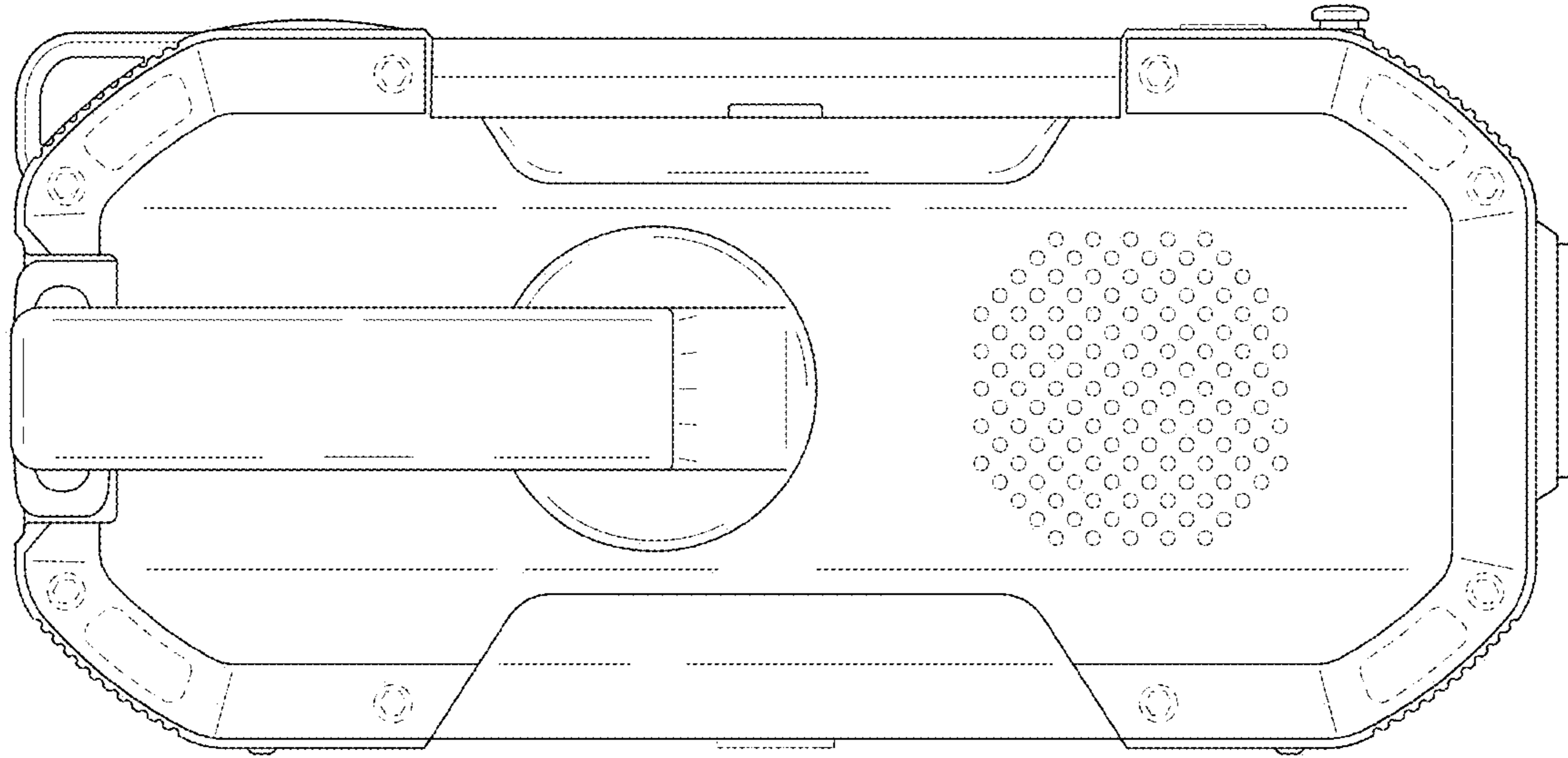


FIG.3

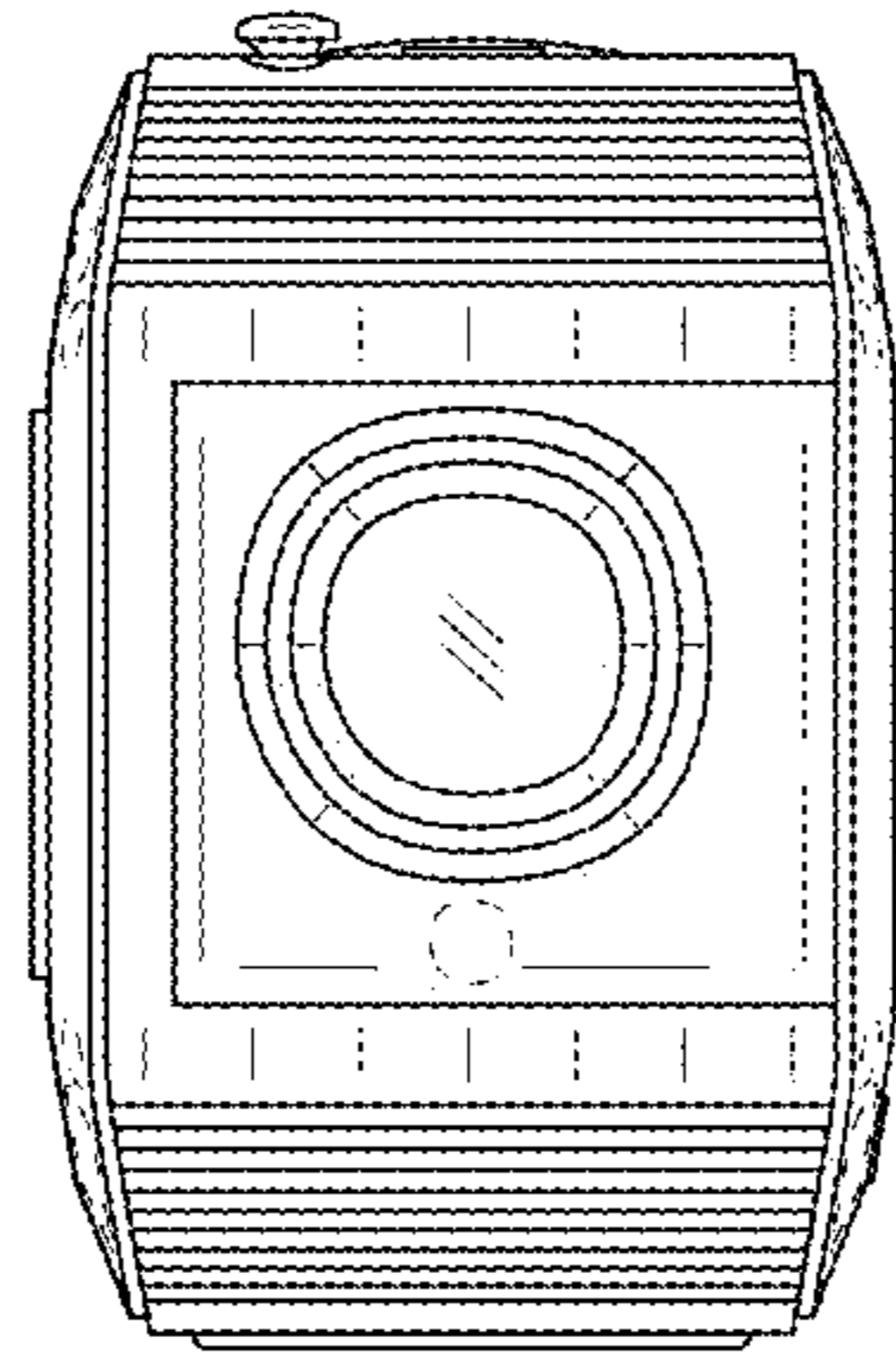


FIG.4

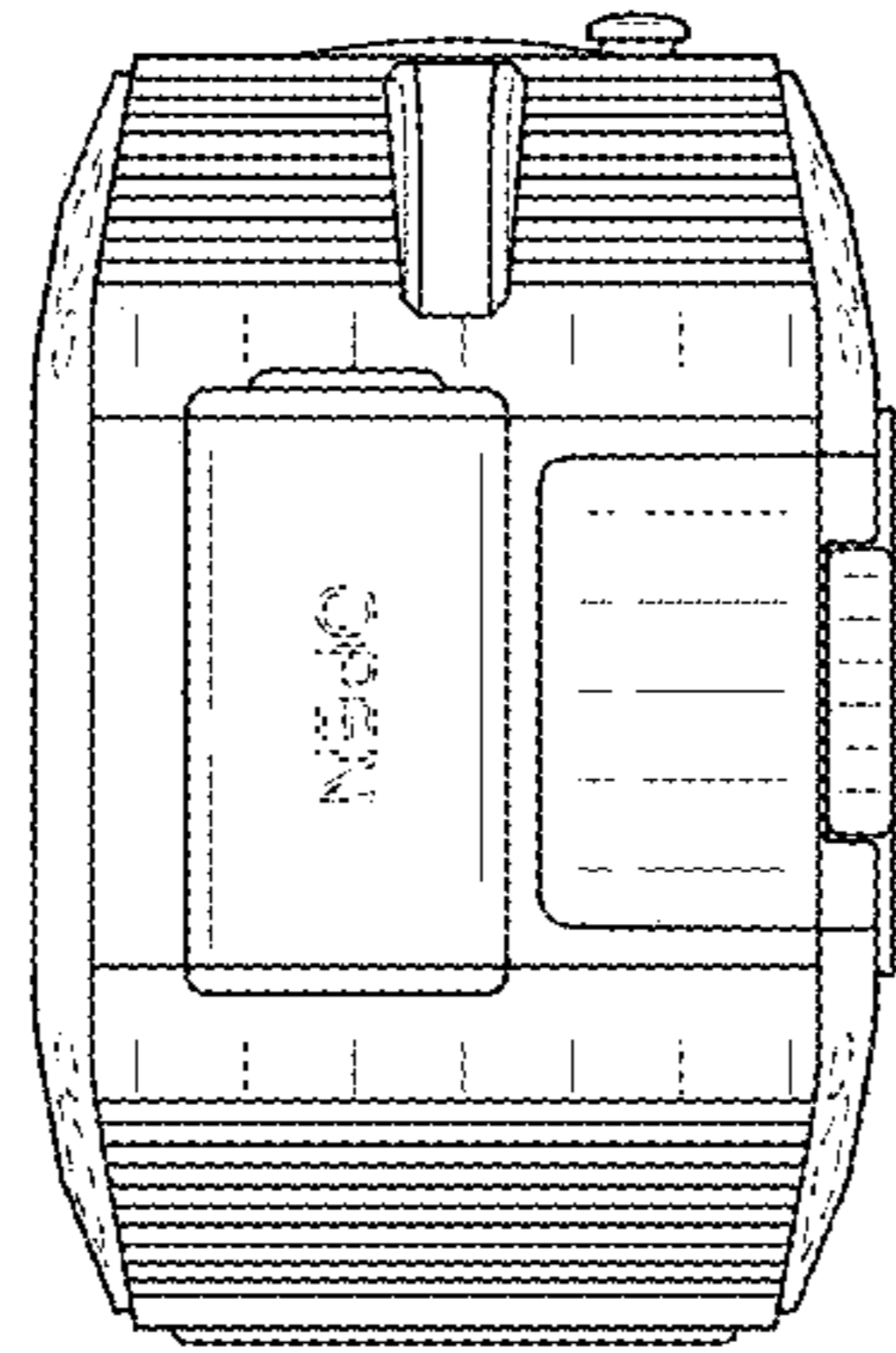


FIG.5

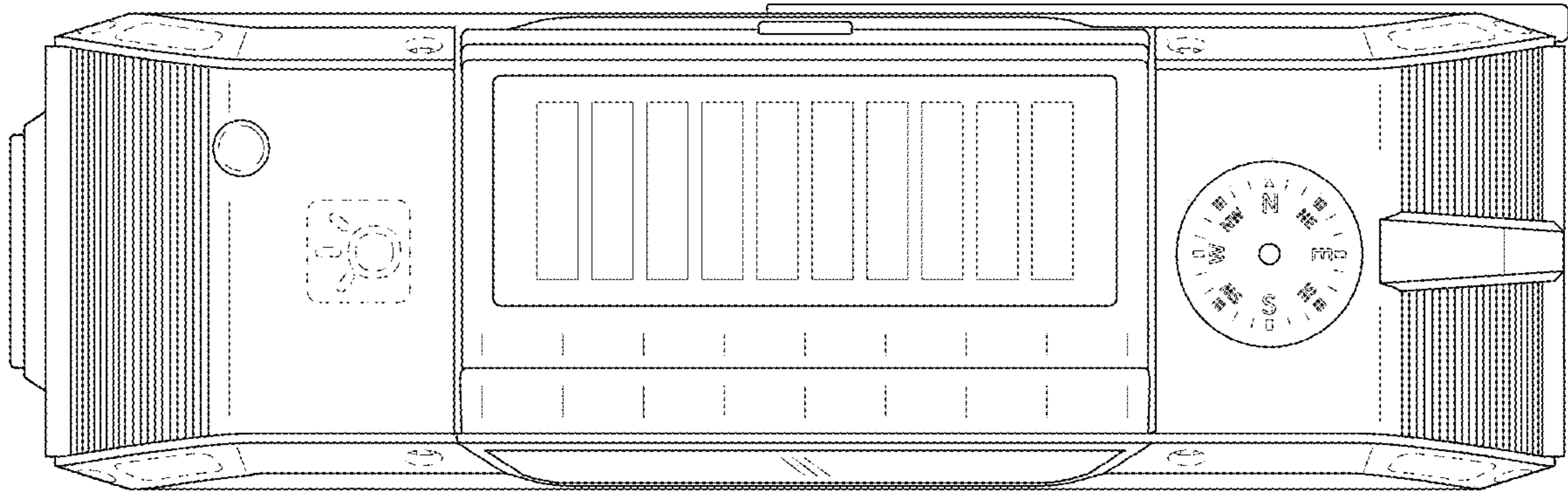


FIG.6

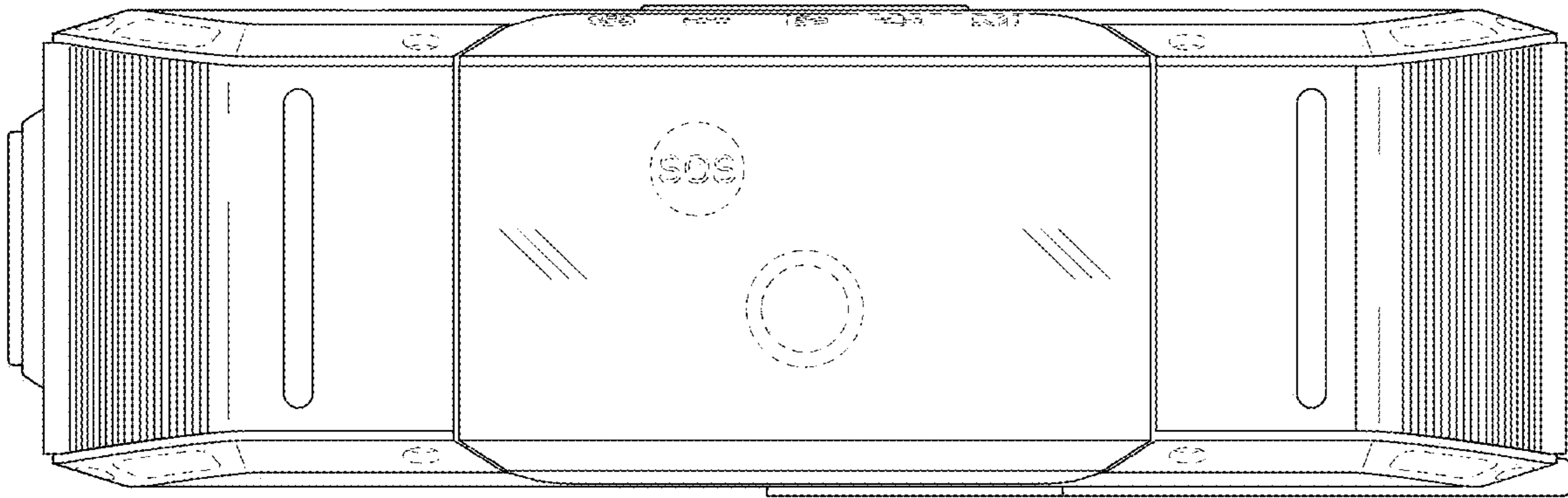


FIG.7



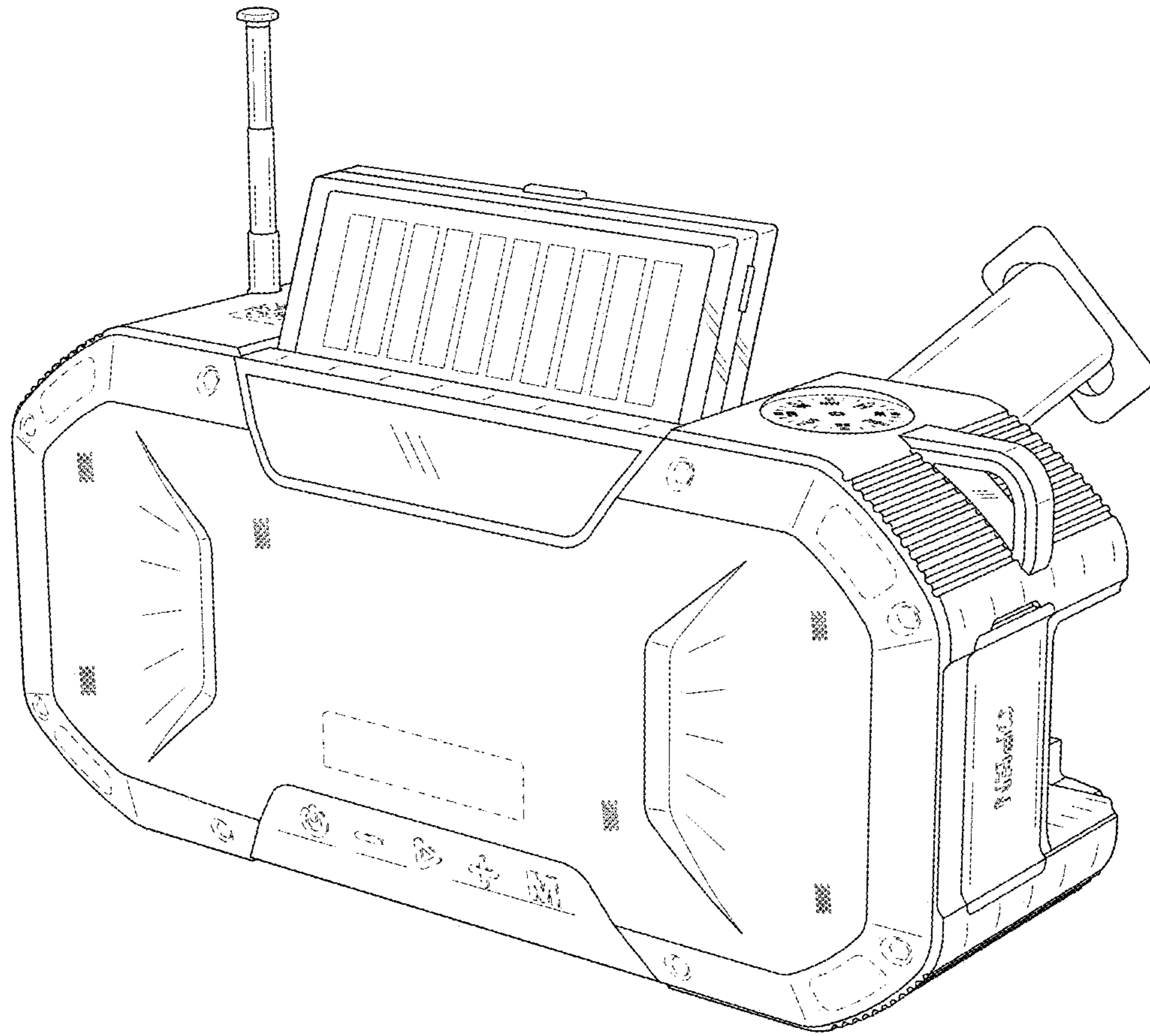


FIG.8

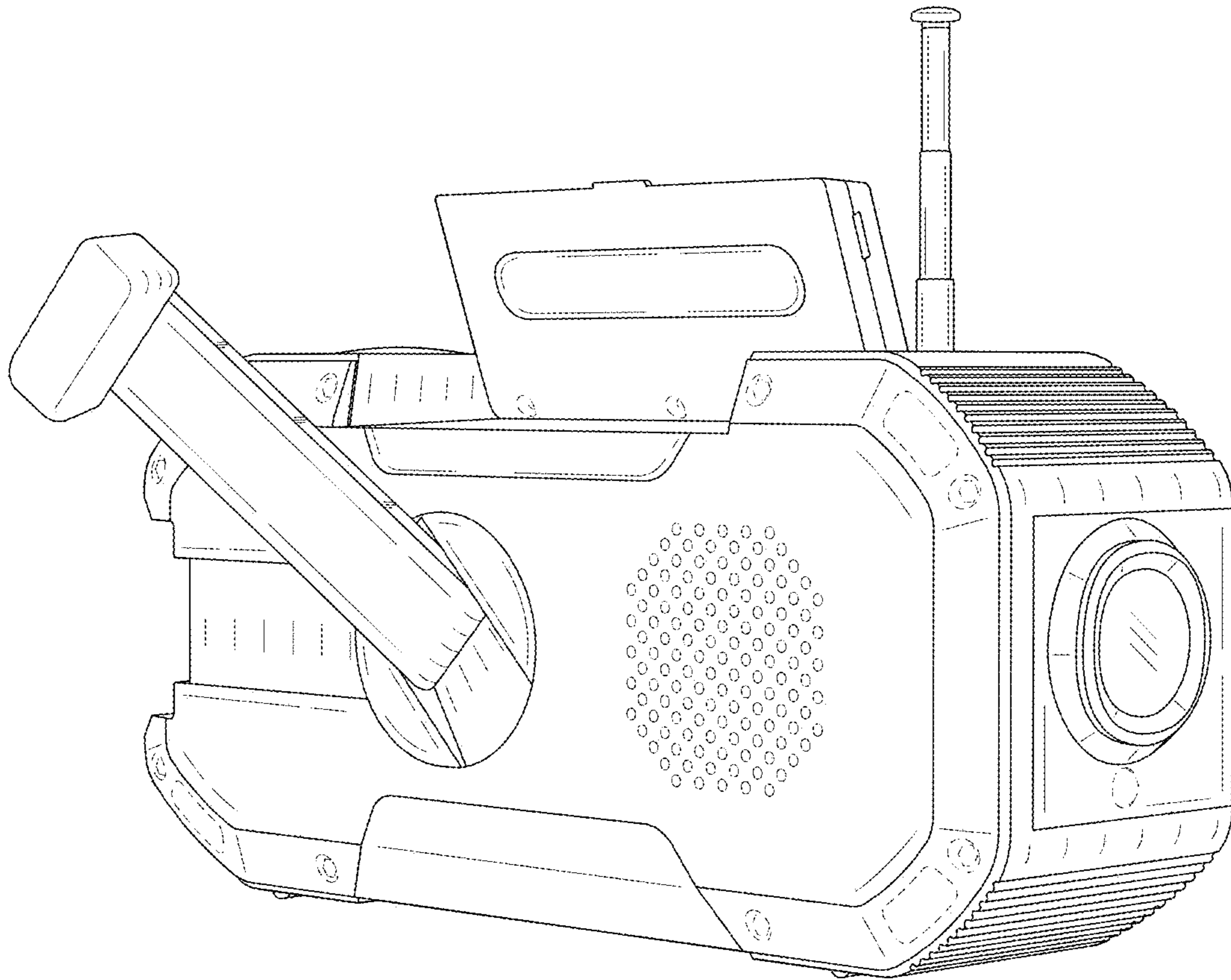


FIG.9