



US00D960860S

(12) **United States Design Patent** (10) **Patent No.:** **US D960,860 S**
Crane (45) **Date of Patent:** **** Aug. 16, 2022**

(54) **RADIO KNOB**

(71) Applicant: **C. Crane**, Fortuna, CA (US)

(72) Inventor: **Robert C. Crane**, Fortuna, CA (US)

(73) Assignee: **C. Crane**, Fortuna, CA (US)

(**) Term: **15 Years**

(21) Appl. No.: **29/785,402**

(22) Filed: **May 25, 2021**

(51) **LOC (13) Cl.** **14-03**

(52) **U.S. Cl.**
USPC **D14/196; D14/188**

(58) **Field of Classification Search**
USPC D14/125, 167, 168, 170–172, 188, 193,
D14/196, 203.1, 203.2, 203.3, 203.4,
D14/203.5, 203.6, 203.7, 203.8, 204,
D14/209.1, 210–217, 219, 221, 222, 224,
D14/226, 240, 348, 496–505; D3/225,
D3/226, 232, 239, 240, 242–246, 251,
D3/267, 268, 290, 294, 318; D8/14,
D8/17–29, 33, 34, 42, 57, 80, 81,
D8/300–322, 352, 359, 499; D21/108,
D21/502, 503, 573; D32/40; D13/174;
(Continued)

(56) **References Cited**

U.S. PATENT DOCUMENTS

D280,539 S * 9/1985 Robbins D22/141
D290,989 S * 7/1987 Ten Eyck D22/141
D349,055 S * 7/1994 Hawkins D8/499
(Continued)

OTHER PUBLICATIONS

A first look at the new C.Crane CCRadio Solar portable self-powered AM/FM/, announced Dec. 13, 2020 , swling.com , [online],

[site visited Aug. 24, 2021], Available from internet URL: <https://swling.com/blog/2020/12/a-first-look-at-the-new-c-crane-ccradio-solar-portable-self-powered-am-fm-weather-radio/> (Year: 2020).*

(Continued)

Primary Examiner — Ramzi Almatrahi

(74) *Attorney, Agent, or Firm* — Law Office of Karen Dana Oster

(57) **CLAIM**

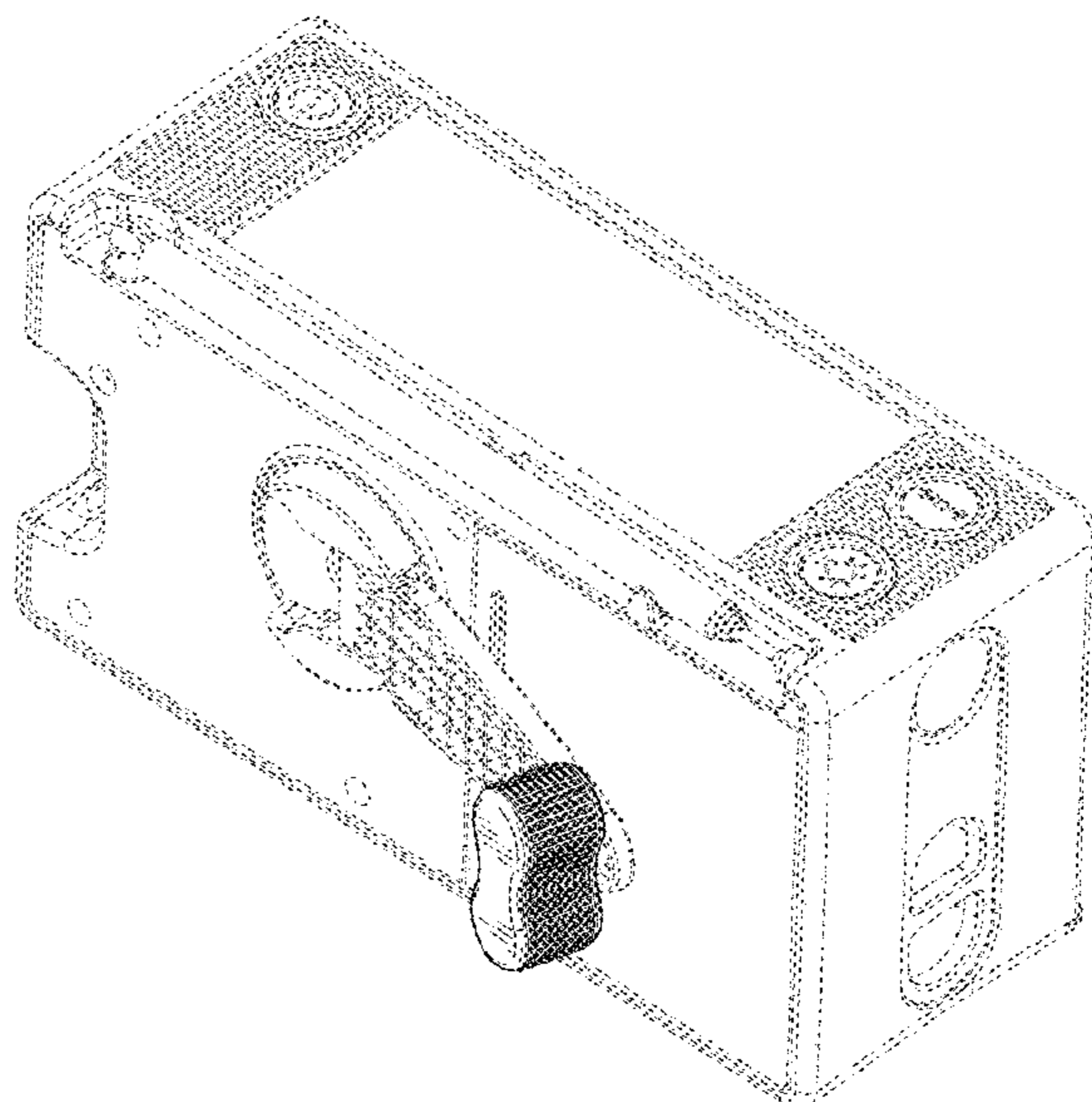
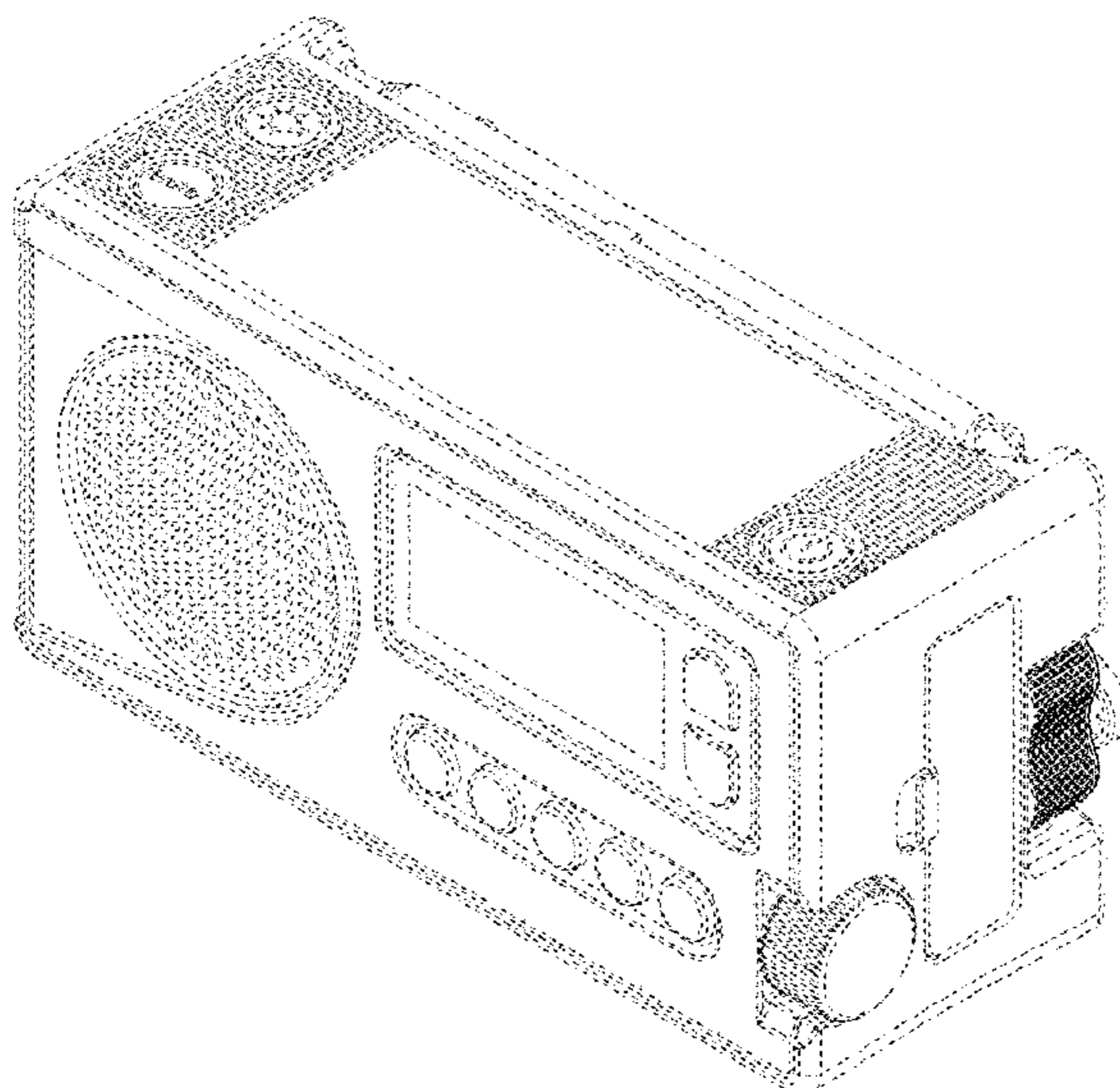
The ornamental design for a radio knob, as shown and described.

DESCRIPTION

FIG. 1 is a top, front, and first side perspective view of a radio knob, shown with the radio knob in a stowed position; FIG. 2 is a front elevation view thereof; FIG. 3 is a rear elevation view thereof; FIG. 4 is a first side elevation view thereof; FIG. 5 is a second side elevation view thereof; FIG. 6 is a top plan view thereof; FIG. 7 is a bottom plan view thereof; FIG. 8 is a top, rear, and second side perspective view thereof; FIG. 9 is a top, front, and first side perspective view thereof, shown with the radio knob in an extended position; FIG. 10 is a front elevation view thereof; FIG. 11 is a rear elevation view thereof; FIG. 12 is a first side elevation view thereof; FIG. 13 is a second side elevation view thereof; FIG. 14 is a top plan view thereof; FIG. 15 is a bottom plan view thereof; and, FIG. 16 is a top, rear, and second side perspective view thereof.

The broken lines showing a radio and handle in FIGS. 1-16 represent environmental structure and form no part of the claimed design.

1 Claim, 15 Drawing Sheets



(58) **Field of Classification Search**

USPC D24/101; D22/100–111, 134, 137–141, D22/147, 148–150, 199
 CPC B60R 11/0217; G06F 1/1688; G10K 9/22; G10K 11/004; H04R 1/02; H04R 1/021; H04R 1/023; H04R 1/025; H04R 1/026; H04R 1/028; H04R 1/1075; H04R 1/323; H04R 1/403; H04R 1/2803; H04R 1/2834; H04R 5/00; H04R 5/02; H04R 5/04; H04R 9/02; H04R 9/06; H04R 9/10; H04R 2420/07; H04R 2201/021

See application file for complete search history.

(56) **References Cited**

U.S. PATENT DOCUMENTS

D367,277 S	2/1996	Moshe	
D396,262 S *	7/1998	Burdick	D22/138
D400,640 S *	11/1998	Ohba	D22/141
D423,634 S *	4/2000	Tao	D22/138
D426,659 S	6/2000	Lee	
D430,138 S	8/2000	Ben-Moshe	
D470,198 S *	2/2003	Manville	D21/503
D504,411 S	4/2005	Lam	
D522,997 S *	6/2006	Hess	D14/168
D535,017 S *	1/2007	Stawski	D24/101
D545,940 S *	7/2007	Langner	D22/109
D658,628 S	5/2012	Hahner et al.	
D719,130 S	12/2014	Crane et al.	
D722,586 S *	2/2015	Kimura	D14/188
D827,402 S *	9/2018	Lee	D8/29
D863,237 S *	10/2019	Ayers	D13/174
D863,251 S	10/2019	Crane et al.	

OTHER PUBLICATIONS

Aliexpress; “Jitai Spinning Reel with Free Spool 10+1BBs Lightweight CNC Aluminum Spool Saltwater Wheel Carp Fishing Reels Carretilha”; AliExpress website; <https://www.aliexpress.com/i/4000244880158.html>; at least as early as Apr. 23, 2021; 2 pages.
 Amazon; “C. Crane CC Solar Observer Wind Up Solar Emergency Crank Radio with AM, FM, NOAA Weather, Built in LED Flashlight & Cellphone Charger”; Amazon website; <https://www.amazon.com/Crane-Observer-Weather-Flashlight-COBS/dp/B005F51111>; at least as early as Jul. 29, 2011; 5 pages.
 Amazon; “Emergency Solar Hand Crank Radio—Aiworth AM/FM/NOAA Weather Radio, Portable Survival Radio with LED Flashlight, Cell Phone Charger, SOS Alarm for Home and Emergency”; Amazon website https://www.amazon.com/Emergency-Portable-Hurricane-Survival-Flashlight/dp/B08HLL858Y/ref=sr_1_1?dchild=1&keywords=Emergency+Solar+Hand+Crank+Radio+Aiworth+AM%2FFM%2FNOAA&qid=1619569339&s=electronics&sr=1-1; at least as early as Oct. 7, 2020; 11 pages.

Amazon; “Kikkerland Dynamo Solar and Crank Emergency Radio, Green”; Amazon website; https://www.amazon.com/Kikkerland-Dynamo-Solar-Crank-Emergency/dp/B0017S4C26/ref=cm_cr_arpd_pdt_img_top; at least as early as Apr. 23, 2021; 2 pages.
 Amazon; “Prepworks by Progressive Nut Chopper with Non-Skid Base”; Amazon website; https://www.amazon.com/Prepworks-Progressive-Non-Skid-GFNC-2-Removable/dp/B00833DQCU/ref=pd_sbs_1; at least as early as May 14, 2012; 3 pages.
 Amazon; “[Upgraded Version] RunningSnail Emergency Hand Crank Self Powered AM/FM NOAA Solar Weather Radio with LED Flashlight, 1000mAh Power Bank for iPhone/Smart Phone”; Amazon website; <https://www.amazon.com/Upgraded-Version-RunningSnail-Emergency-Flashlight/dp/B01MFCFKG5>; at least as early as Oct. 26, 2016; 10 pages.
 C.Crane; “CCRadio Solar AM, FM, Weather + Alert Windup Emergency Radio”; C.Crane website; <https://ccrane.com/ccradio-solar/>; as early as Dec. 15, 2020; 3 pages.
 Ebay Seller; “Vintage Ru-Mer 50 Half Bail Fishing Spinning Reel | Made in France”; eBay website; <https://www.ebay.com/itm/402703618949>; last updated May 12, 2021; 2 pages.
 GBFans; “Pack: Grey Crank Knobs”; GBFans website; <https://www.gbfans.com/shop/grey-crank-knob/>; at least as early as Apr. 19, 2021; 1 page.
 Jaycee; “Best Emergency Hand Crank Radio for Survival Reviews 2020”; Miranda Made website; <https://mirandamade.com/best-emergency-hand-crank-radio-survival-reviews/>; Nov. 14, 2016; 19 pages.
 Lowes; “Trailer Valet 5X Replacement Hand Crank”; Lowe’s website; <https://www.lowes.com/pd/Trailer-Valet-Trailer-Valet-5X-Replacement-Hand-Crank/1003041204>; at least as early as Apr. 23, 2021; 1 page.
 Overstock; “Fishing Plastic Foldable Angling Winding Spinning Reel Rotating Handle Dark Blue”; Overstock website; <https://www.overstock.com/Sports-Toys/Fishing-Plastic-Foldable-Angling-Winding-Spinning-Reel-Rotating-Handle-Dark-Blue/18447259/product.html>; at least as early as Apr. 24, 2021; 1 page.
 Sportsman’s Warehouse; “Casting Reels(92)”; Sportsman’s Warehouse website; <https://www.sportsmans.com/fishing-gear-supplies/fishing-reels/casting-reels/c/cat101039/>; at least as early as Apr. 24, 2021; 21 pages.
 Zanders Sporting Goods; “Tenpoint Acutorq Crank Handle Use W/Acudraw Units<”; Zanders Sporting Goods website; <https://shop2.gzanders.com/archery/crossbow-cockers/tenpoint-acutorq-crank-handle-use-w-acudraw-units.html>; at least as early as Apr. 23, 2021; 3 pages.
 Allen, Jay; “C Crane CC Radio Solar Emergency Radio”; radiojayallen.com [online]; radiojayallen.com/crane-cc-radio-solar-emergency-radio (visited Mar. 9, 2022); Dec. 13, 2020; 3 pages.
 “Introducing The New CCRadio Solar” (The C.Crane Catalog Advertisement); *C.Crane Annual Catalog 2021*; C.Crane; mailed Fall 2020; 3 pages (cover, one-page advertisement, and mailing card).

* cited by examiner

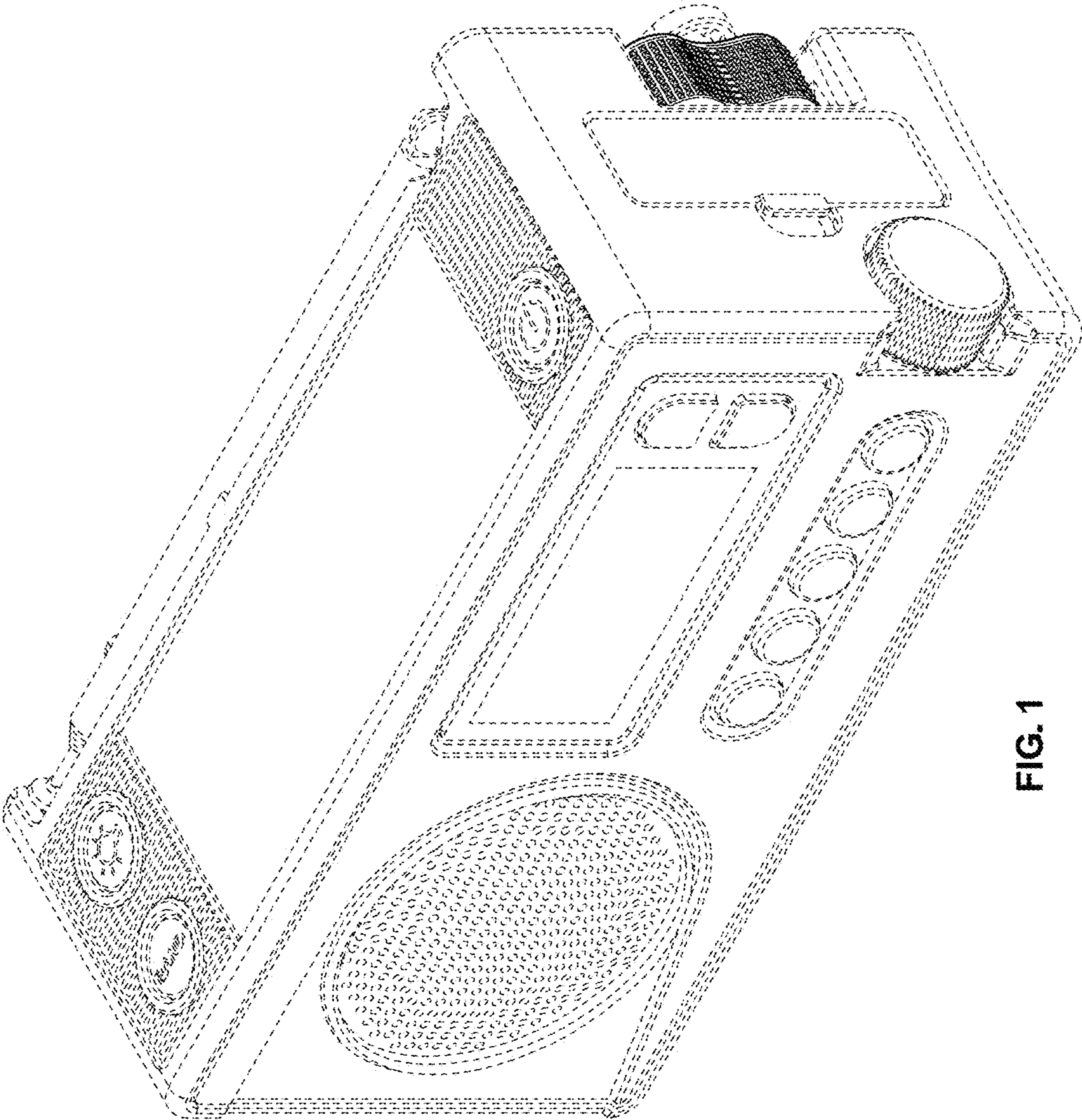


FIG. 1

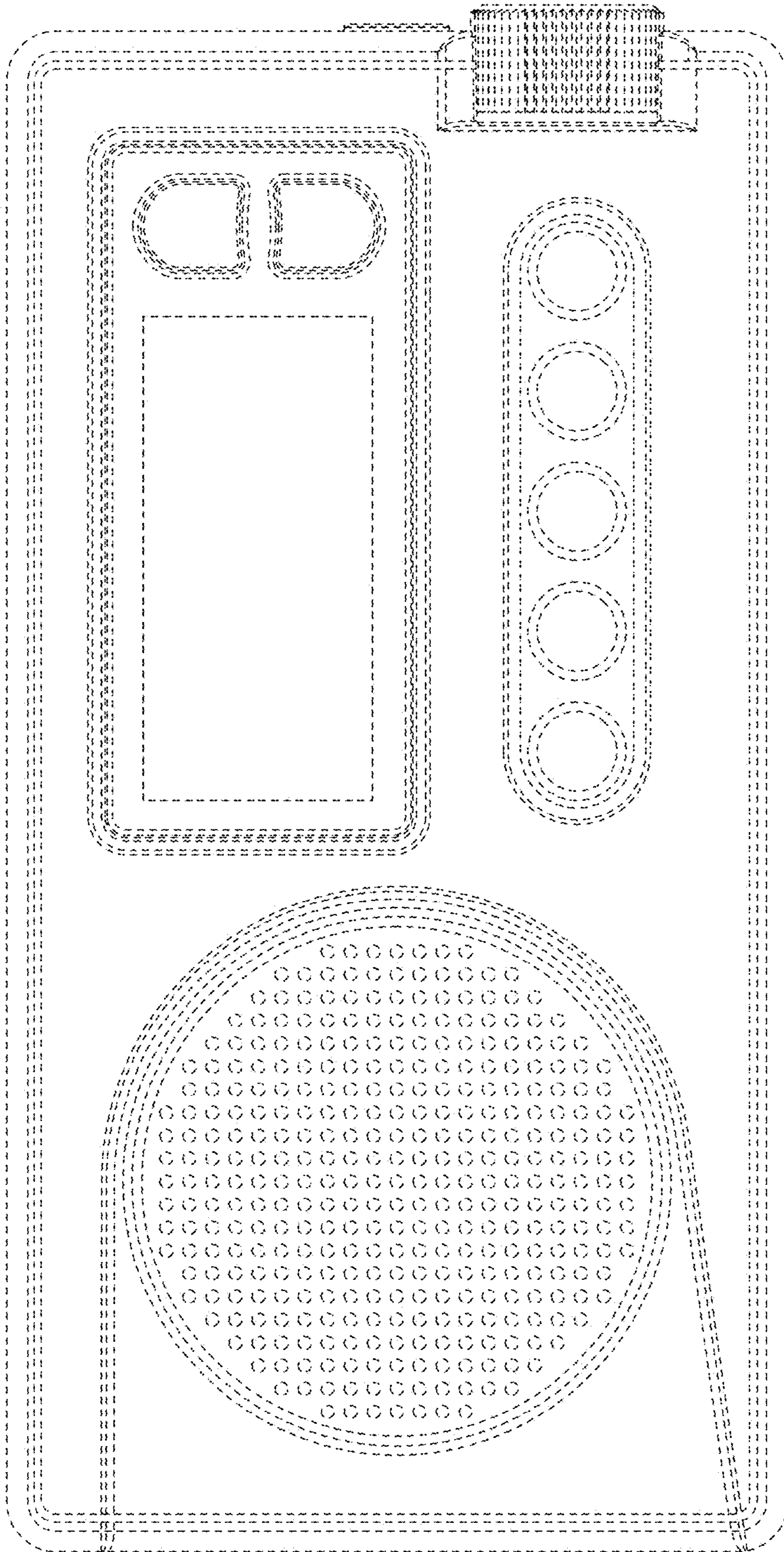


FIG. 2

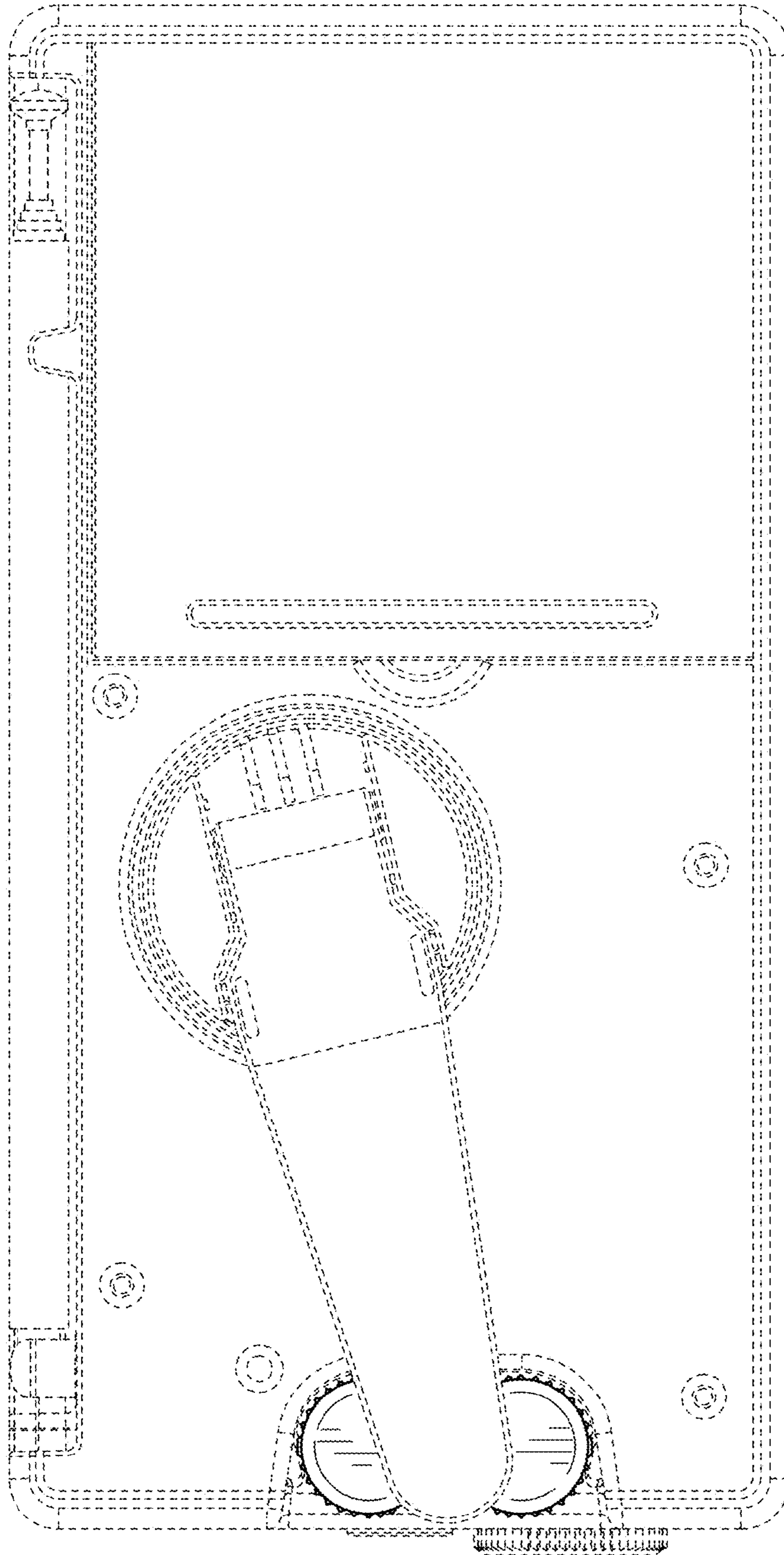


FIG. 3

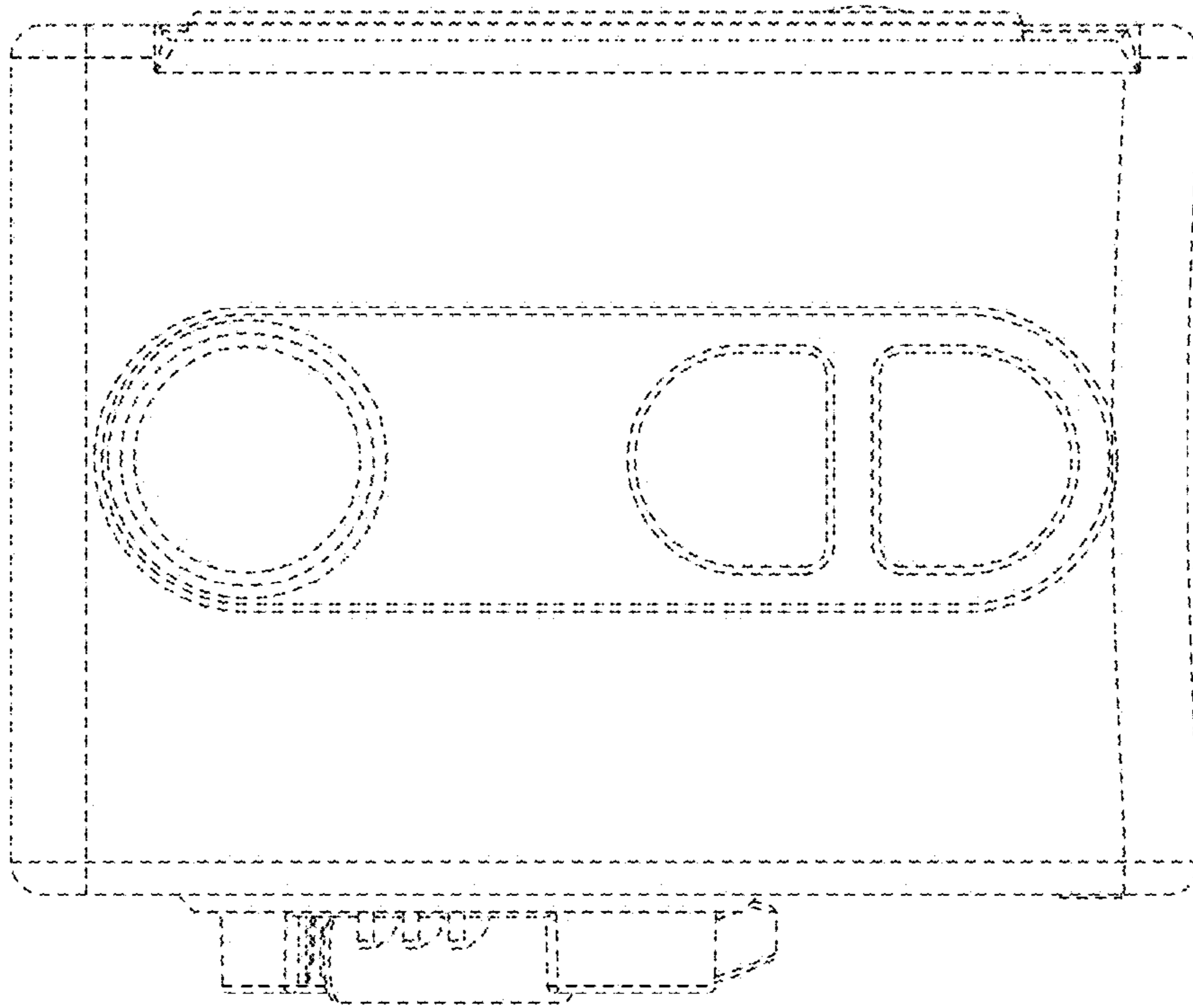


FIG. 5

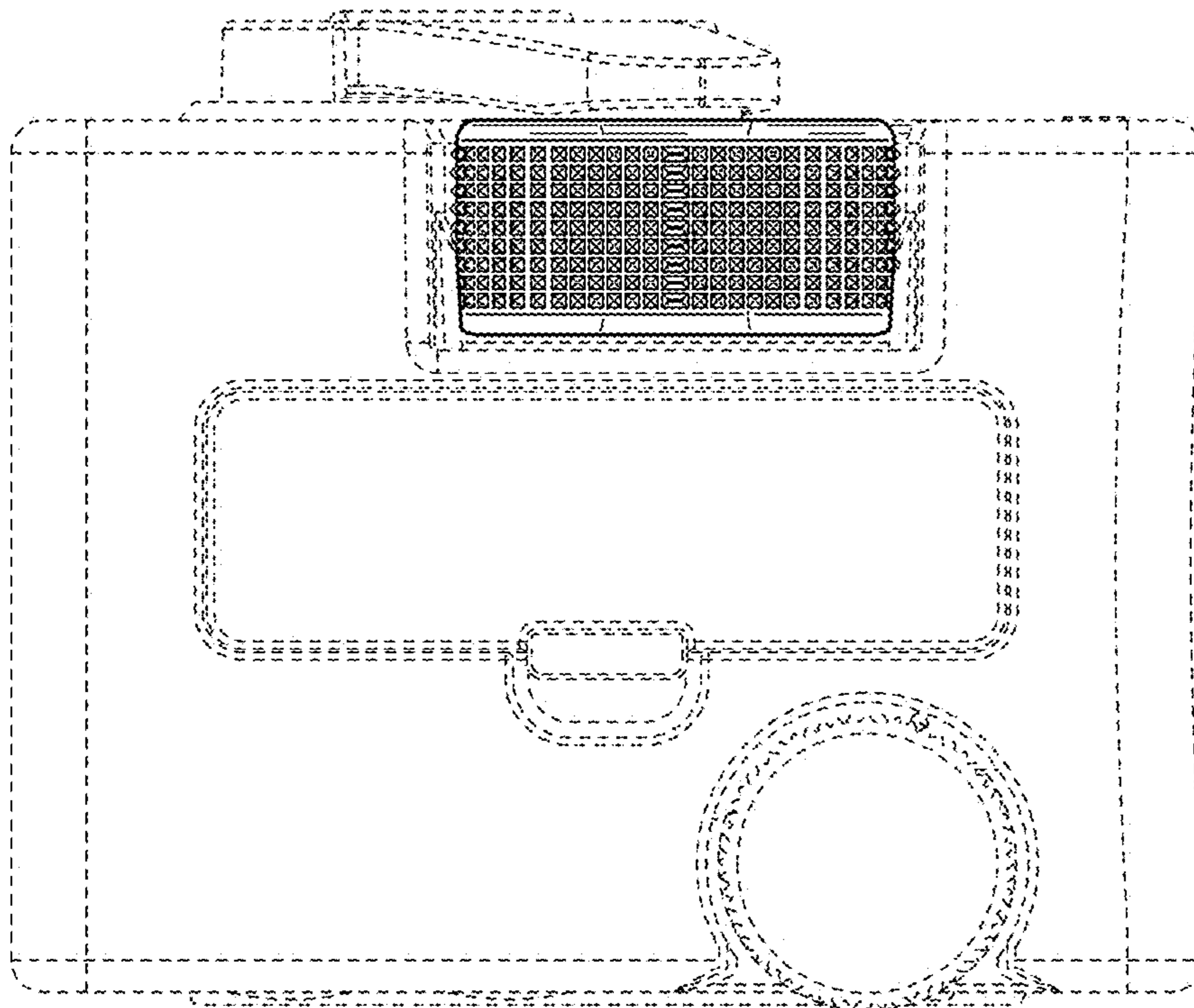


FIG. 4

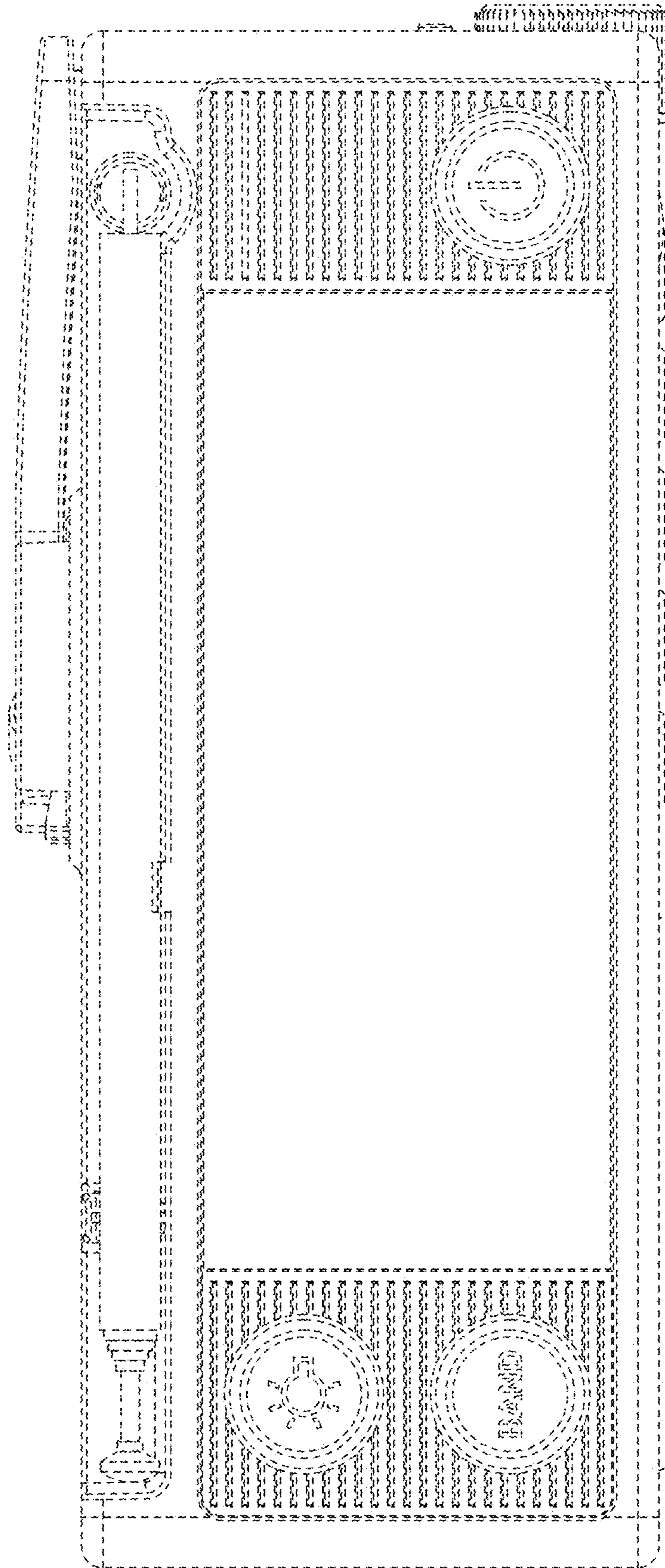


FIG. 6

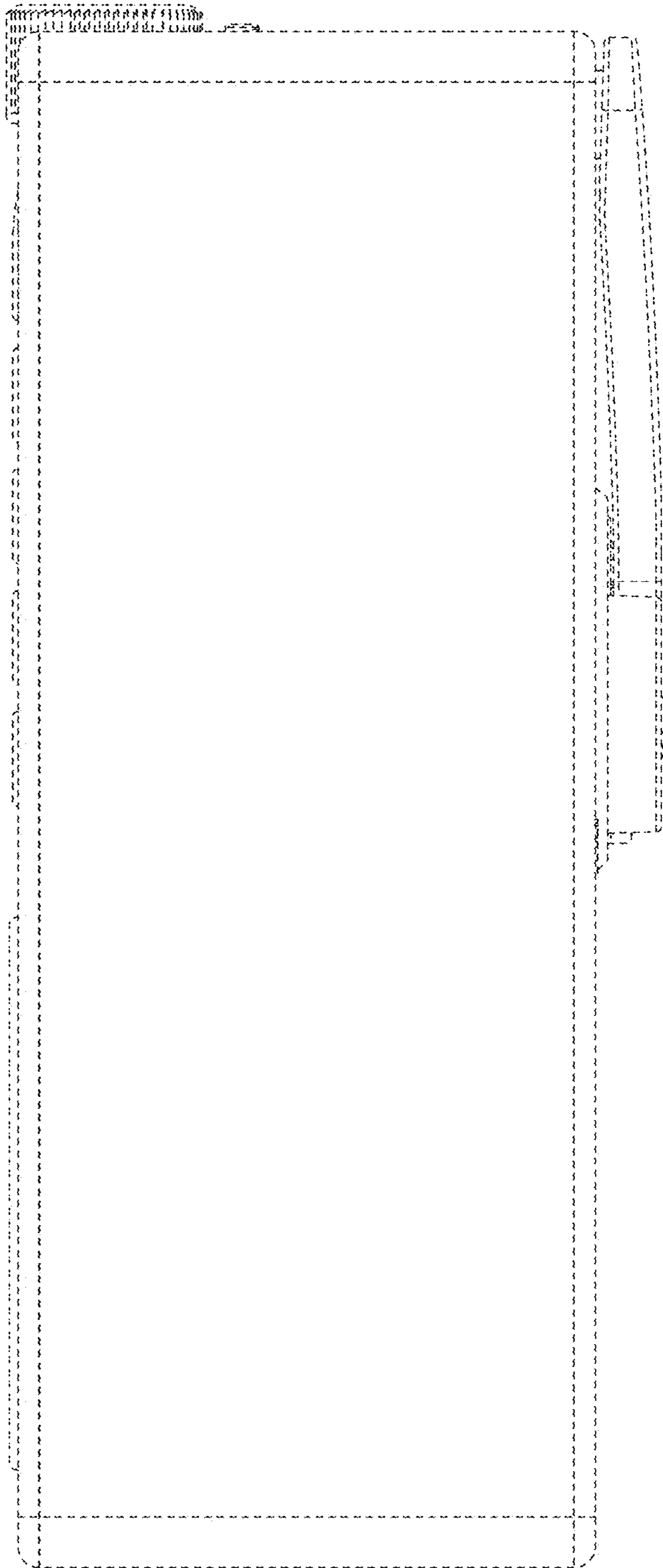


FIG. 7

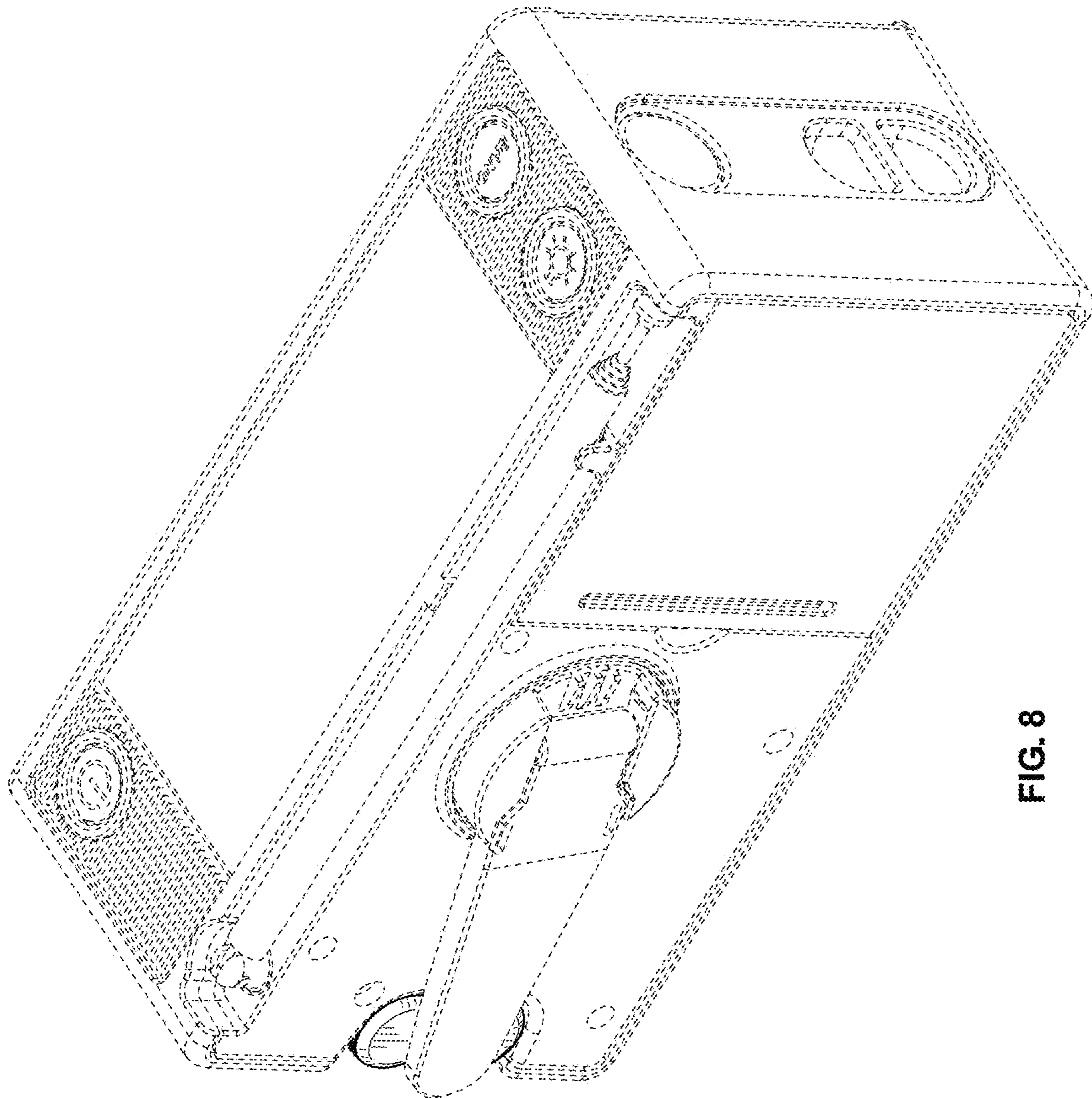


FIG. 8

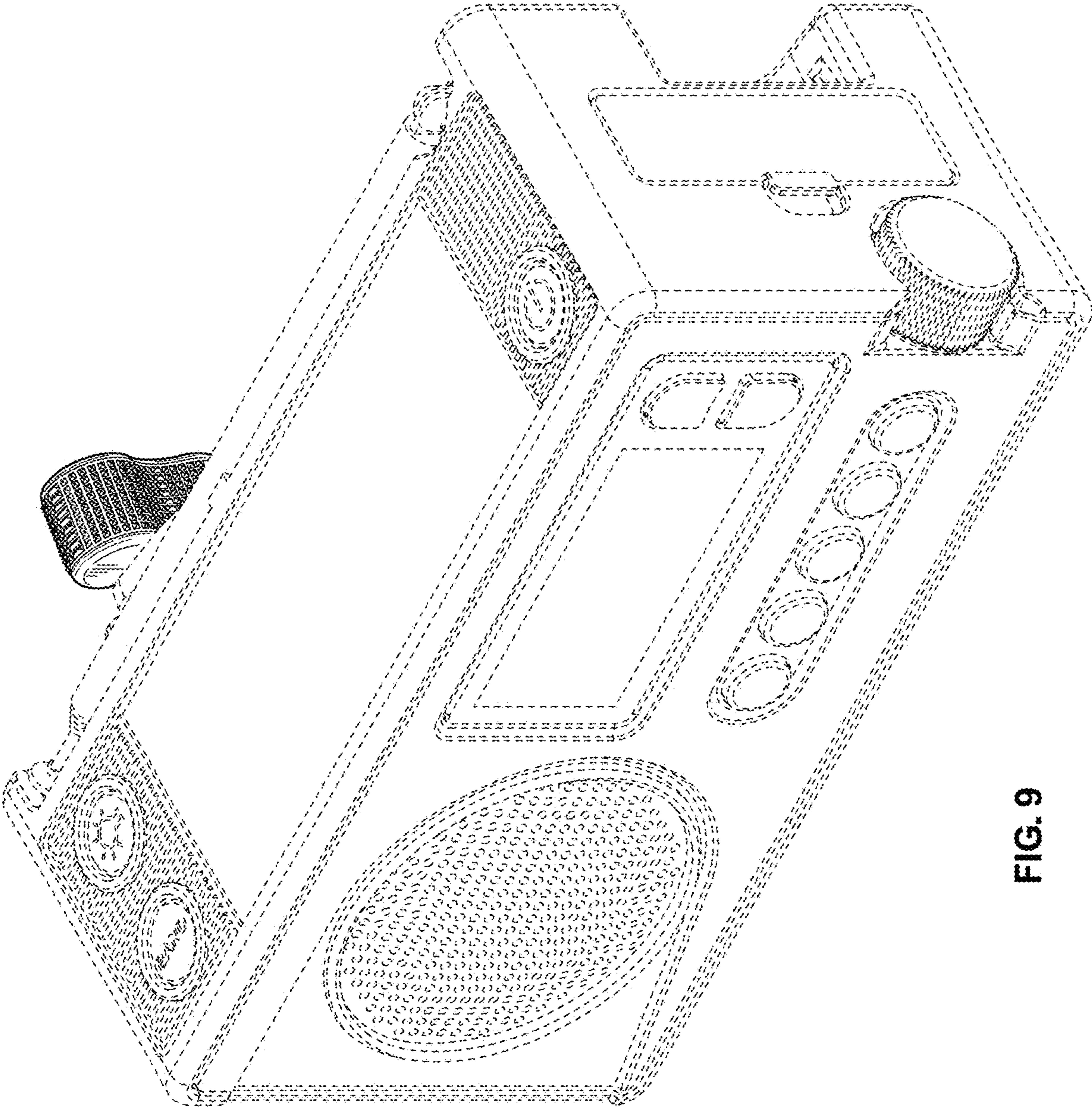


FIG. 9

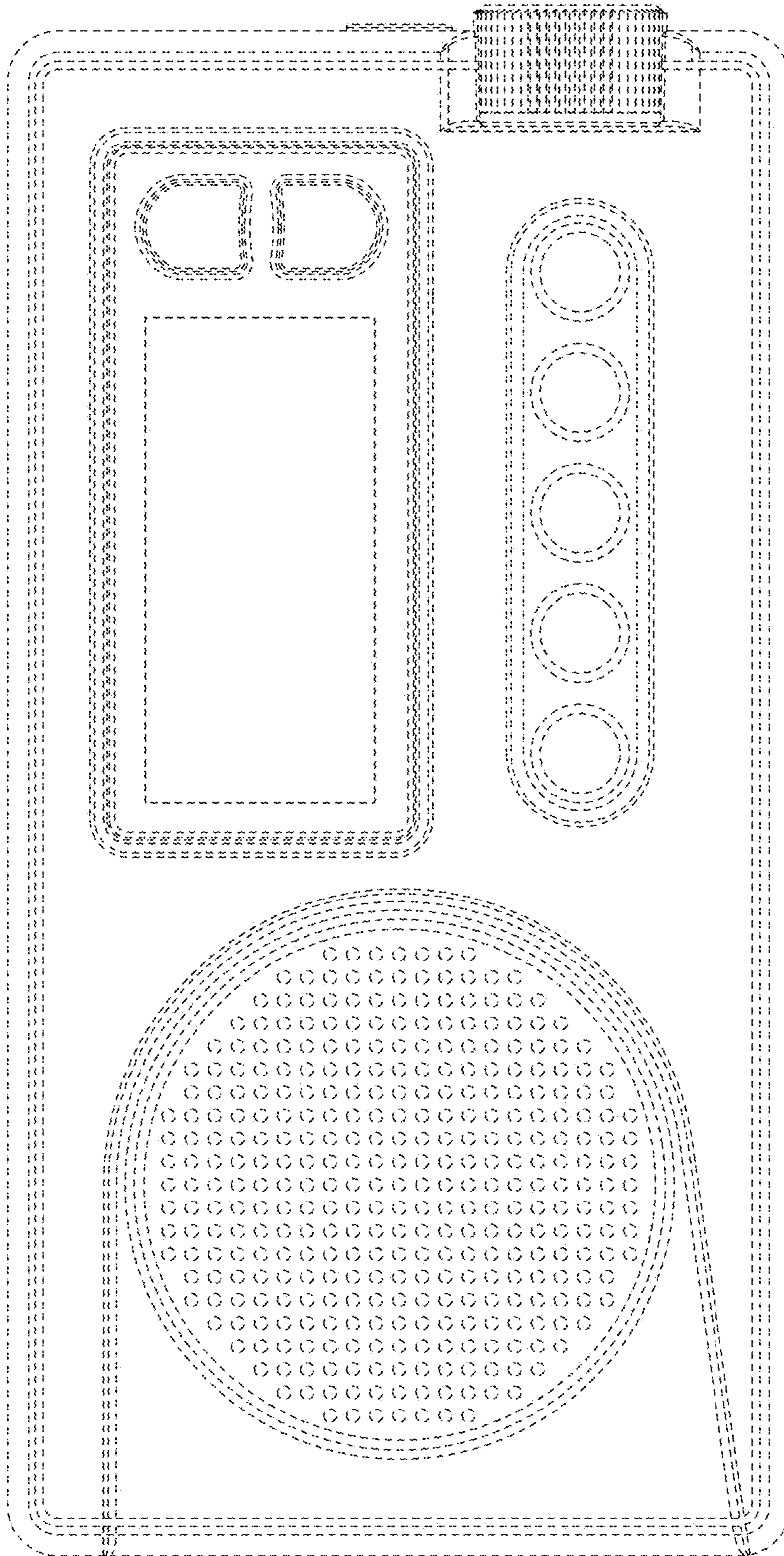


FIG. 10

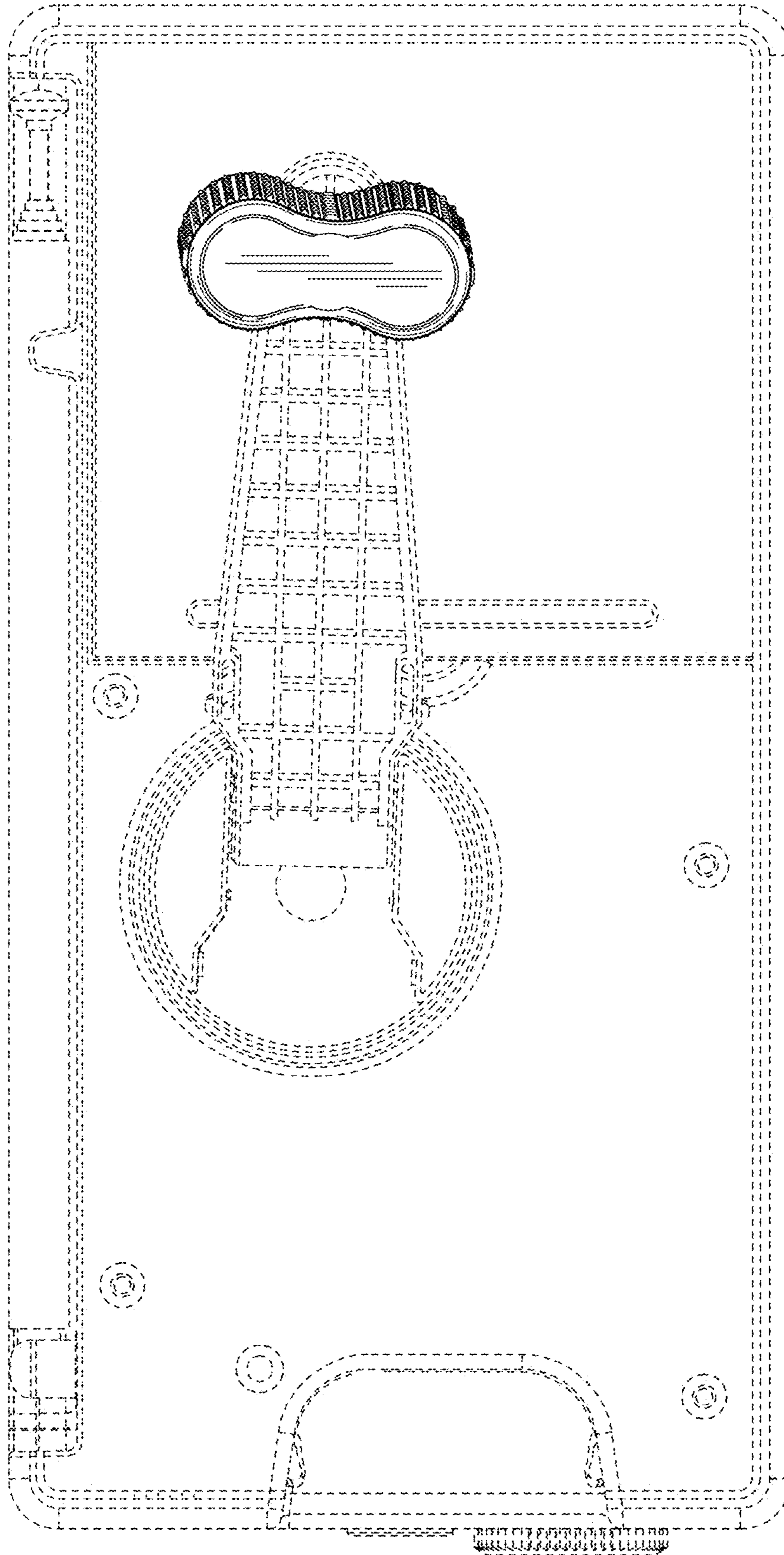


FIG. 11

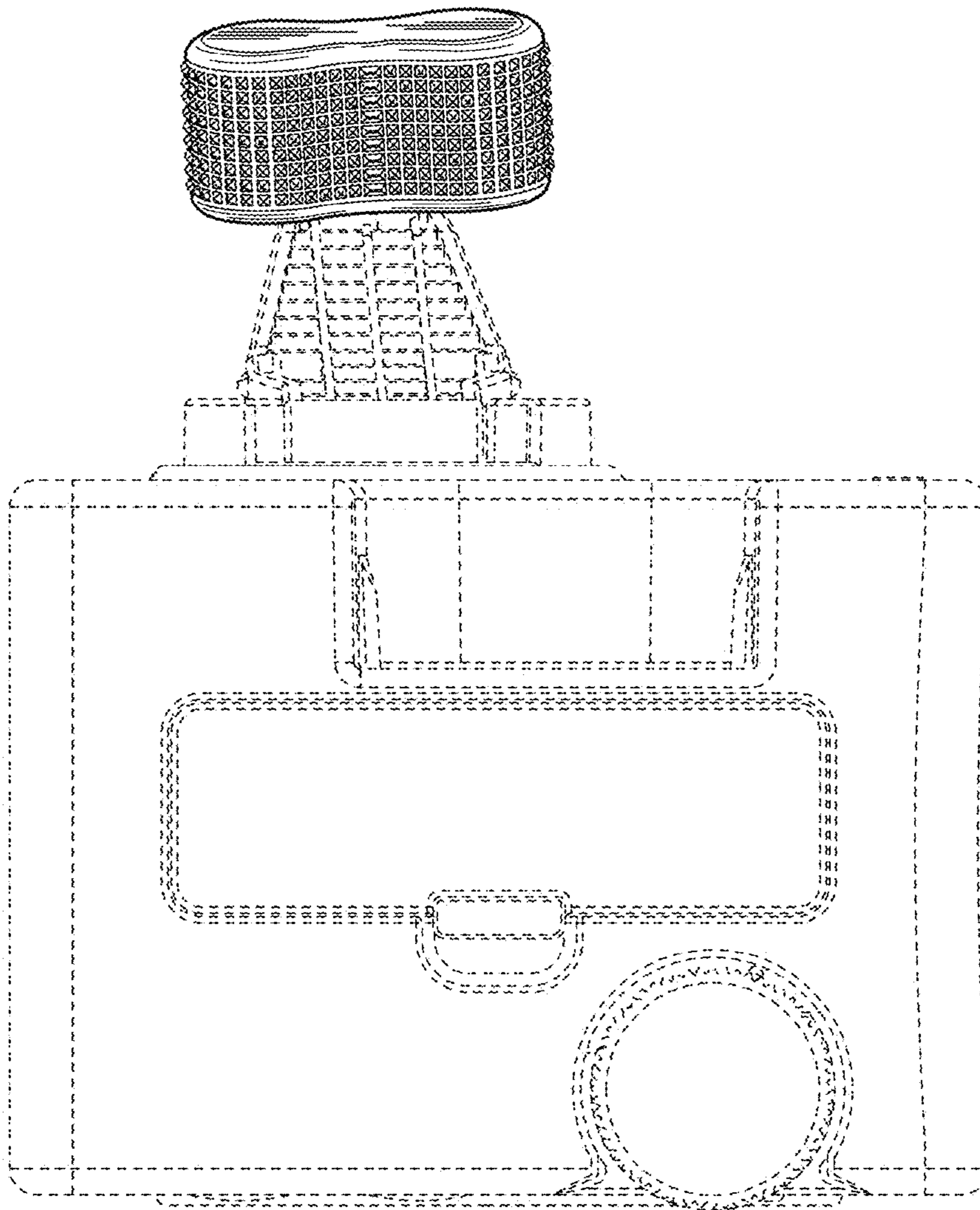


FIG. 12

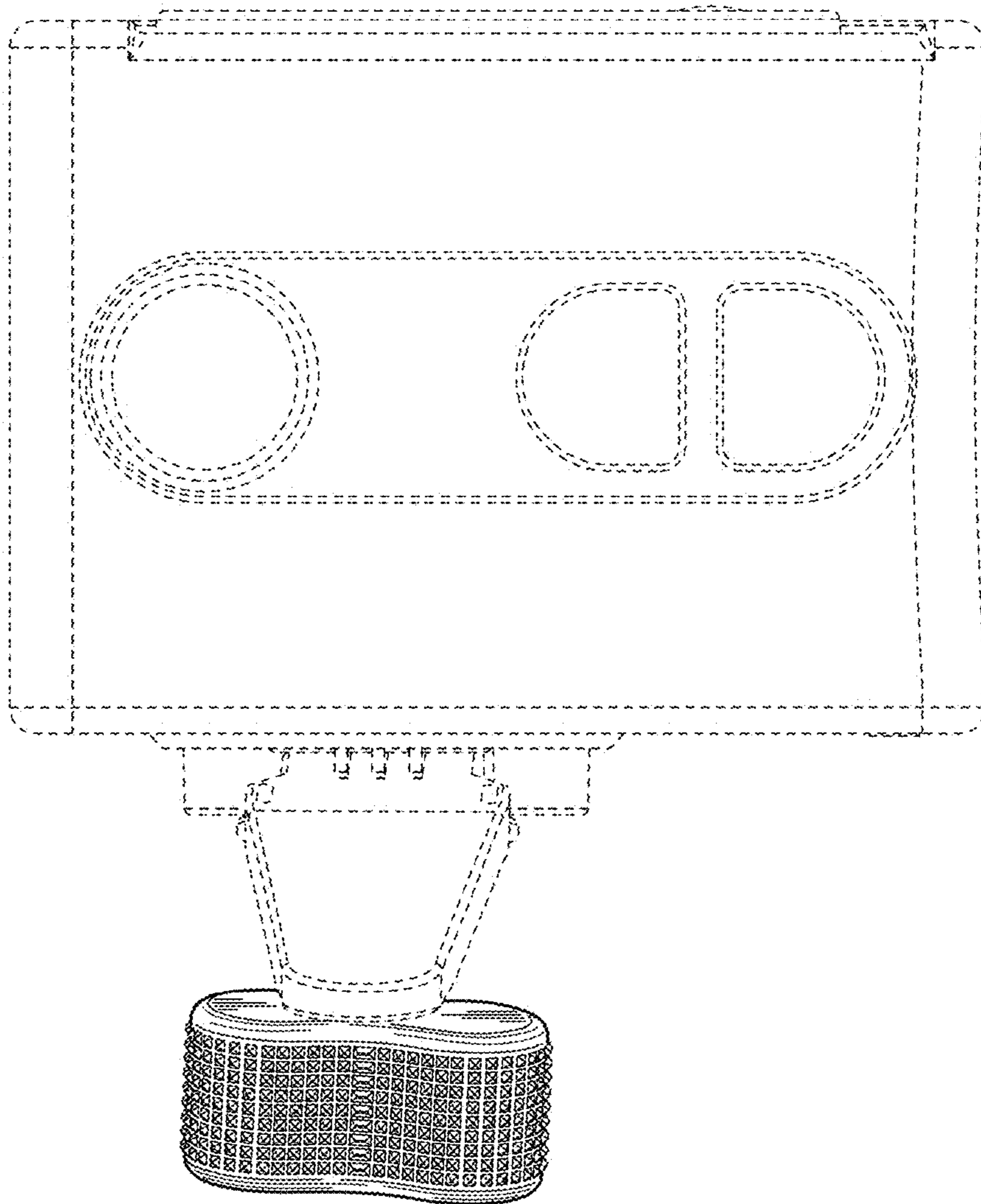


FIG. 13

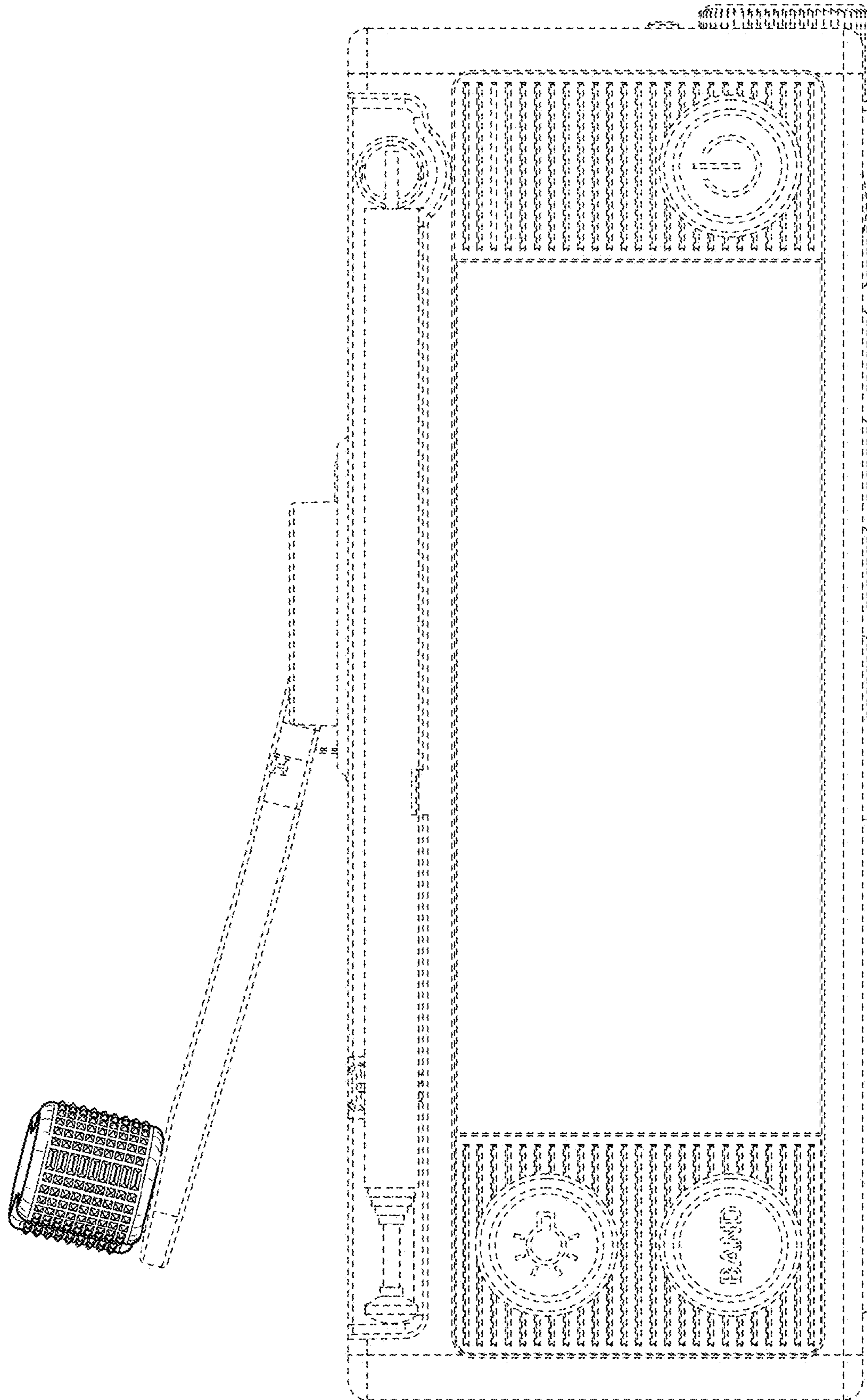


FIG. 14

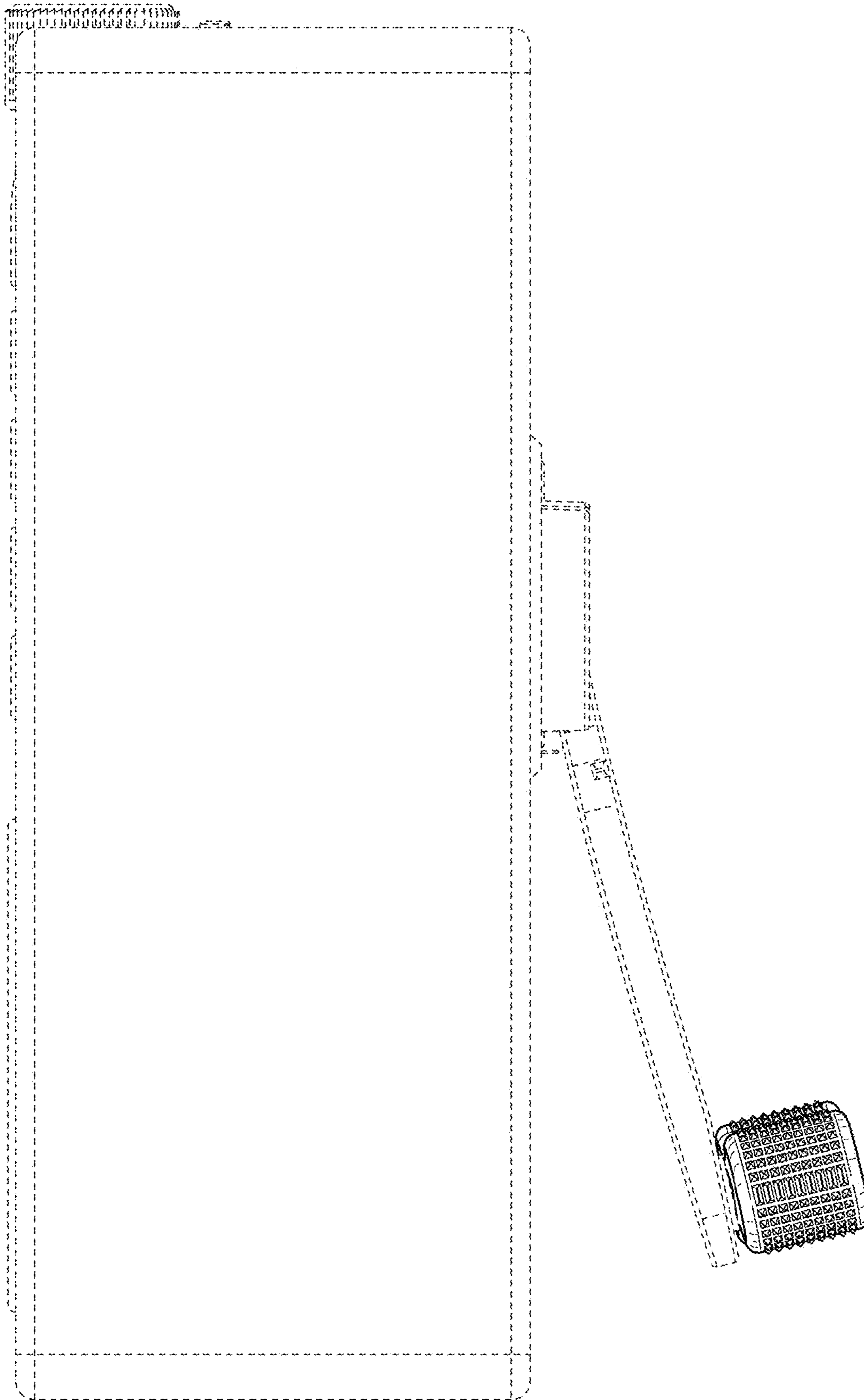


FIG. 15

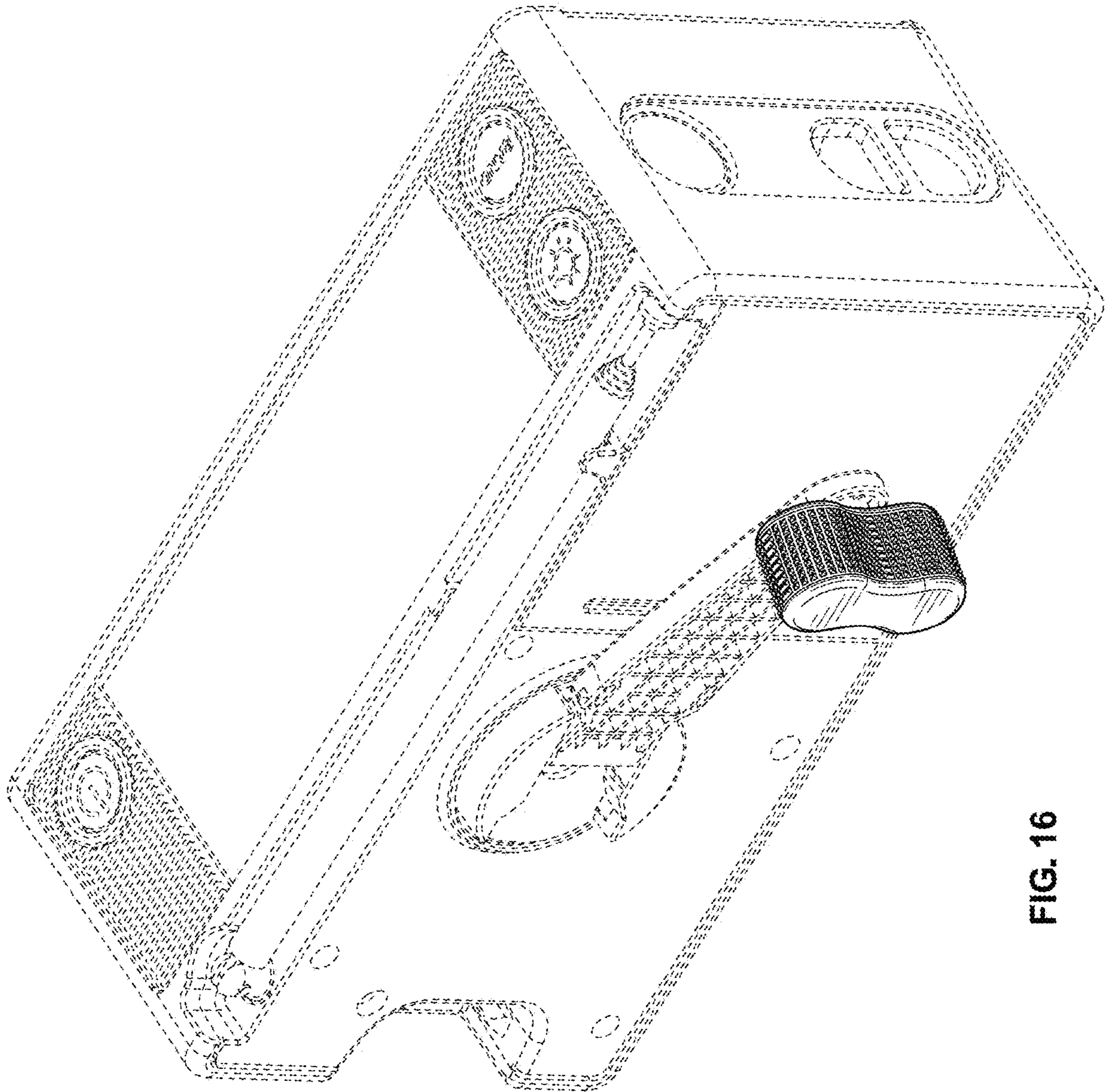


FIG. 16