



US00D960858S

(12) **United States Design Patent**  
**Zhu**

(10) **Patent No.:** **US D960,858 S**

(45) **Date of Patent:** **\*\* Aug. 16, 2022**

(54) **COMBINED SPEAKER AND CAMERA  
DEVICE**

(71) Applicant: **Coolpo Licensing LLC**, Scottsdale, AZ  
(US)

(72) Inventor: **Leizhen Zhu**, Shanghai (CN)

(\*\*) Term: **15 Years**

(21) Appl. No.: **29/721,839**

(22) Filed: **Jan. 23, 2020**

(51) **LOC (13) Cl.** ..... **14-01**

(52) **U.S. Cl.**  
USPC ..... **D14/172**

(58) **Field of Classification Search**  
USPC ..... D14/125–126, 155–159, 160–173,  
D14/187–188, 203.1–203.8, 204–216,  
D14/217–222, 225–229, 445, 496, 500;  
D16/200–208, 211, 216–219, 221, 225,  
D16/230, 237  
CPC ..... H04R 1/02; H04R 1/021; H04R 1/025;  
H04R 1/026; H04R 1/028; H04R 1/06;  
H04R 1/105; H04R 1/323; H04R 1/403;  
H04R 1/2803; H04R 1/2834  
See application file for complete search history.

(56) **References Cited**

**U.S. PATENT DOCUMENTS**

D544,593 S *	6/2007	Yamamoto	.....	D23/366
D692,860 S *	11/2013	Paterson	.....	D14/214
D709,118 S *	7/2014	Yu	.....	D16/204
D735,163 S *	7/2015	Valeur	.....	D14/216
D766,877 S *	9/2016	Haase	.....	D14/215
D809,044 S *	1/2018	Loew	.....	D16/202
D828,527 S *	9/2018	Xu	.....	D23/356
D835,169 S *	12/2018	Morisawa	.....	D15/199
D842,903 S *	3/2019	You	.....	D14/497
D844,205 S *	3/2019	Finch	.....	D26/52
D879,072 S *	3/2020	Peng	.....	D14/216

D886,769 S *	6/2020	Poulheim	.....	D14/204
D893,457 S *	8/2020	Wei	.....	D14/216
D905,049 S *	12/2020	Lu	.....	D14/314
D922,367 S *	6/2021	Garbelman	.....	D14/242

**FOREIGN PATENT DOCUMENTS**

CN	304450500	*	1/2018
CN	304826272	*	9/2018

(Continued)

**OTHER PUBLICATIONS**

Video Conference Camera, date first available: Sep. 2, 2020, [retrieved Dec. 1, 2021], Retrieved from Internet, URL: <<https://www.amazon.com/Video-Conference-Camera-Microphone-Speaker/dp/B08CY2H5BM>> (Year: 2020).\*

(Continued)

*Primary Examiner* — Barbara Fox

*Assistant Examiner* — Aram Kwon

(74) *Attorney, Agent, or Firm* — Adam R. Stephenson, Ltd.

(57) **CLAIM**

The ornamental design for a combined speaker and camera device, as shown and described.

**DESCRIPTION**

FIG. 1 is a top, front perspective view of a combined speaker and camera device;

FIG. 2 is front view thereof;

FIG. 3 is a rear view thereof;

FIG. 4 is a left side view thereof;

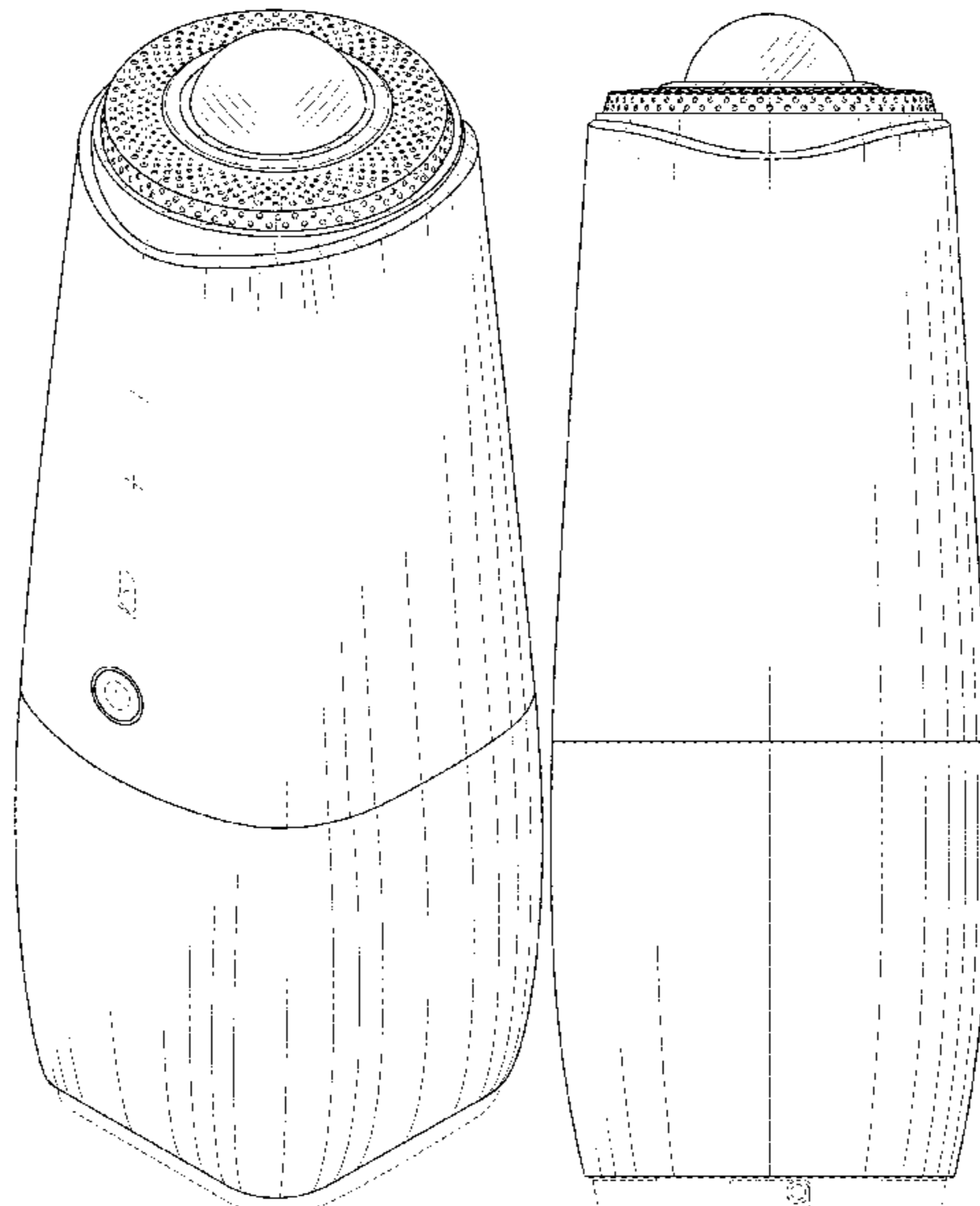
FIG. 5 is a right side view thereof;

FIG. 6 is a top view thereof; and,

FIG. 7 is a bottom view thereof.

The broken lines shown in the drawings depict portions of the combined speaker and camera device that form no part of the claimed design.

**1 Claim, 6 Drawing Sheets**



(56)

**References Cited**

FOREIGN PATENT DOCUMENTS

EM	006860680-0001	*	9/2019
GB	6136054	*	5/2021

OTHER PUBLICATIONS

Coolpo AI Huddle Pana video conference system review, Feb. 19, 2020, [retrieved Dec. 1, 2021], Retrieved from Internet, URL: <<https://the-gadgeteer.com/2021/02/19/coolpo-ai-huddle-pana-video-conference-system-review-an-ai-360-webcam/>> (Year: 2021).\*

Coolpo AI Huddle Pana video conference system review, Mar. 4, 2021, [retrieved Dec. 1, 2021], Retrieved from Internet, URL: <<https://www.techradar.com/reviews/coolpo-ai-huddle-pana-video-conference-system-review>> (Year: 2021).\*

Coolpo releases revolutionary All-in-One 360° 4K intelligence conference solution, Aug. 25, 2020, [retrieved Dec. 1, 2021], Retrieved from Internet, URL: <<https://www.prnewswire.com/news-releases/coolpo-releases-revolutionary-all-in-one-360-4k-intelligence-conference-solution-301116202.html>> (Year: 2020).\*

\* cited by examiner

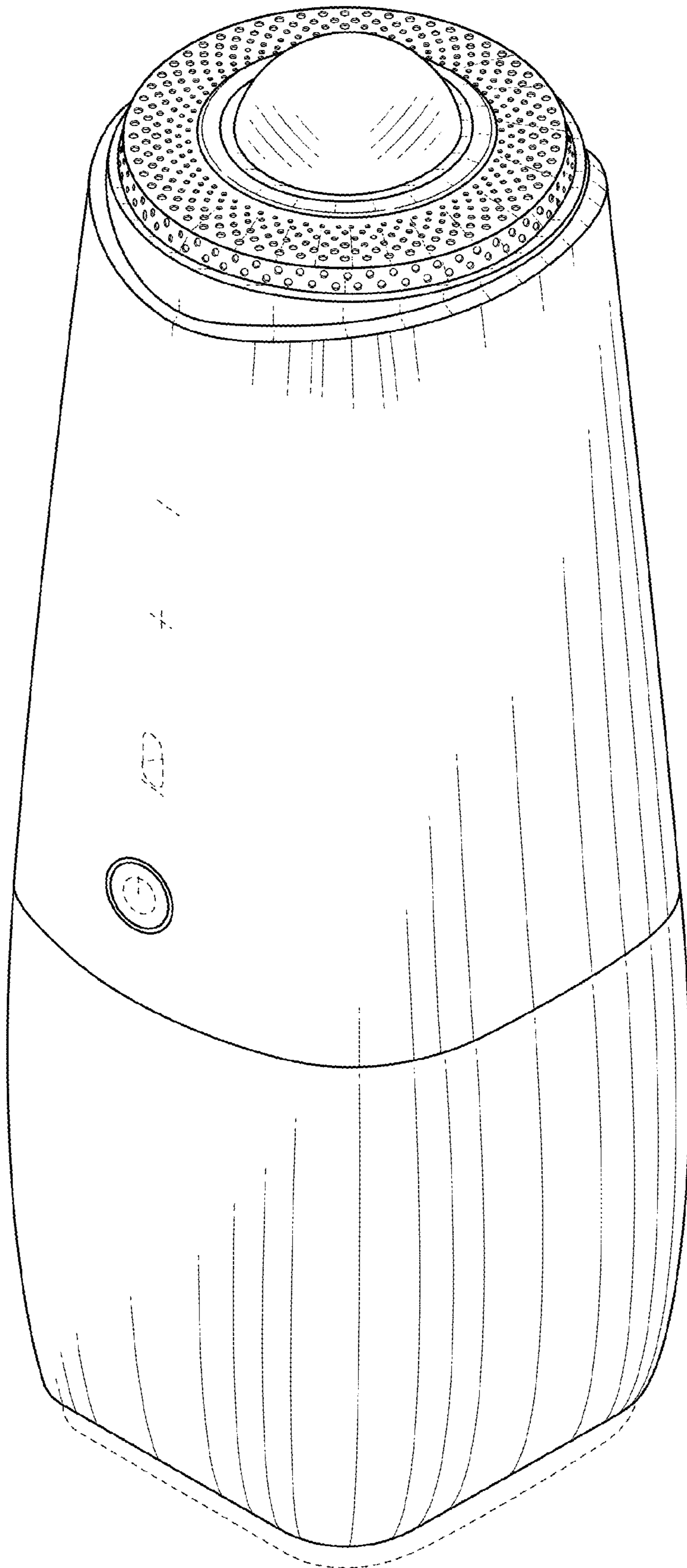


FIG. 1

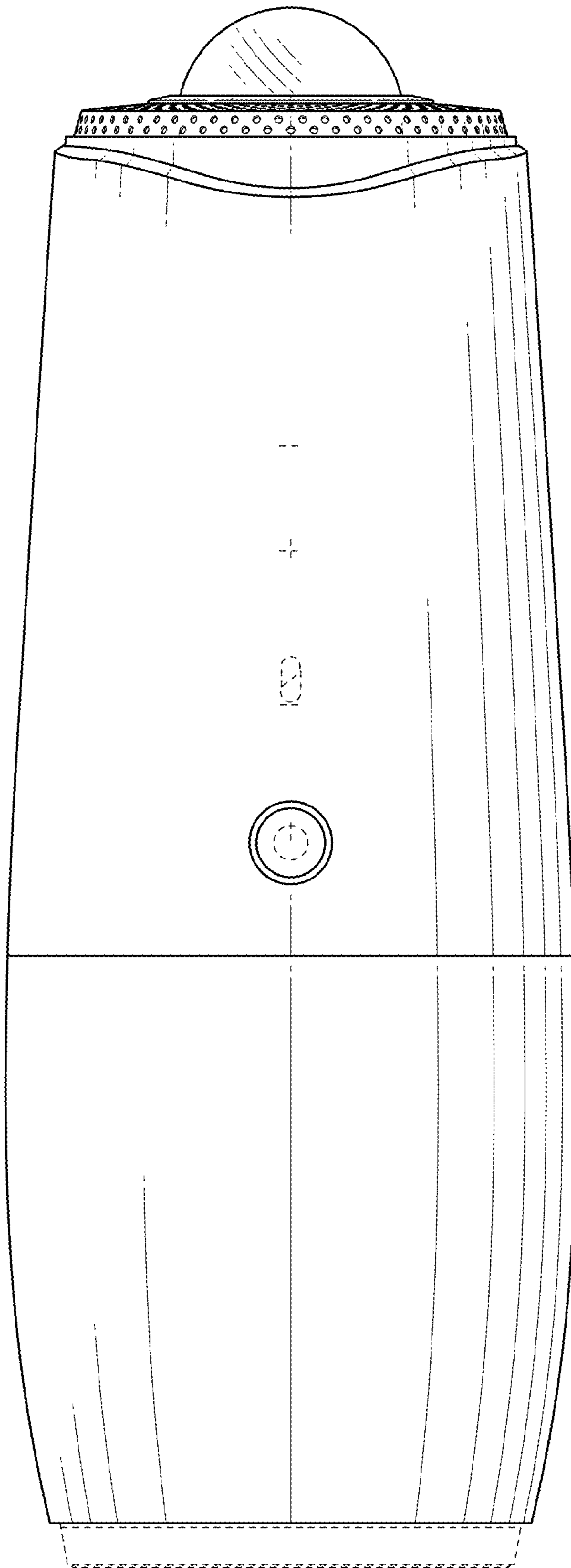


FIG. 2

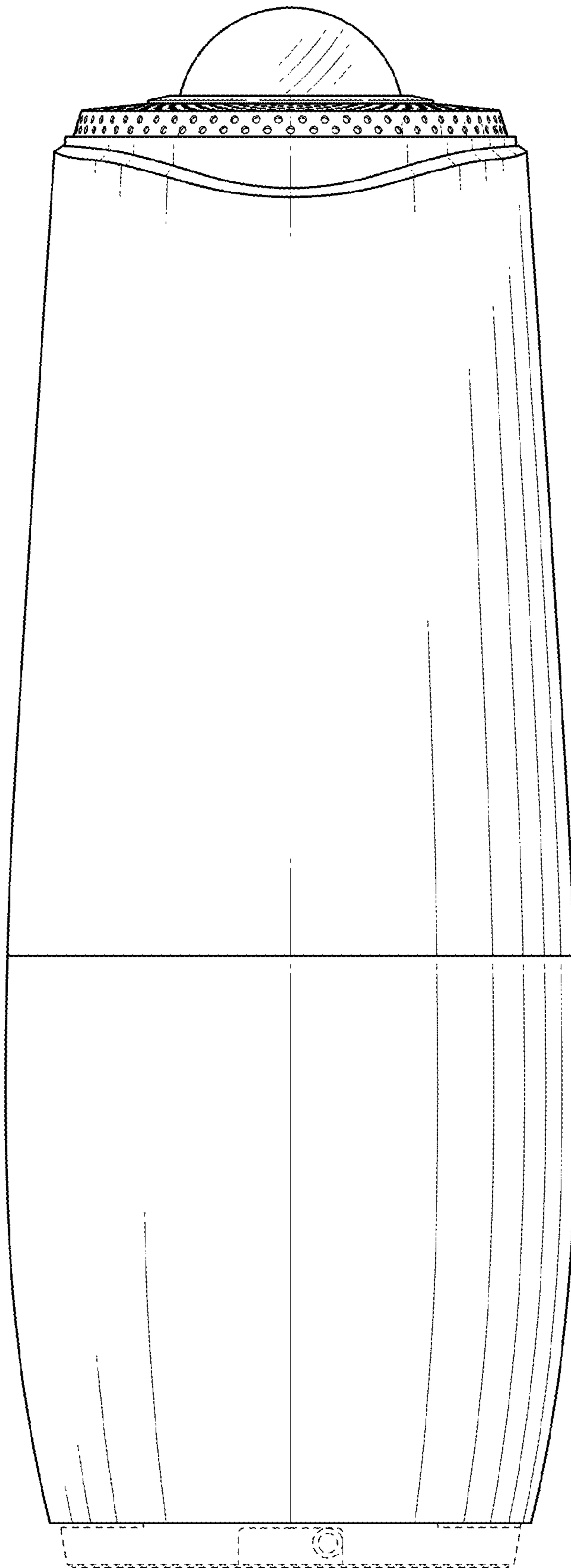


FIG. 3



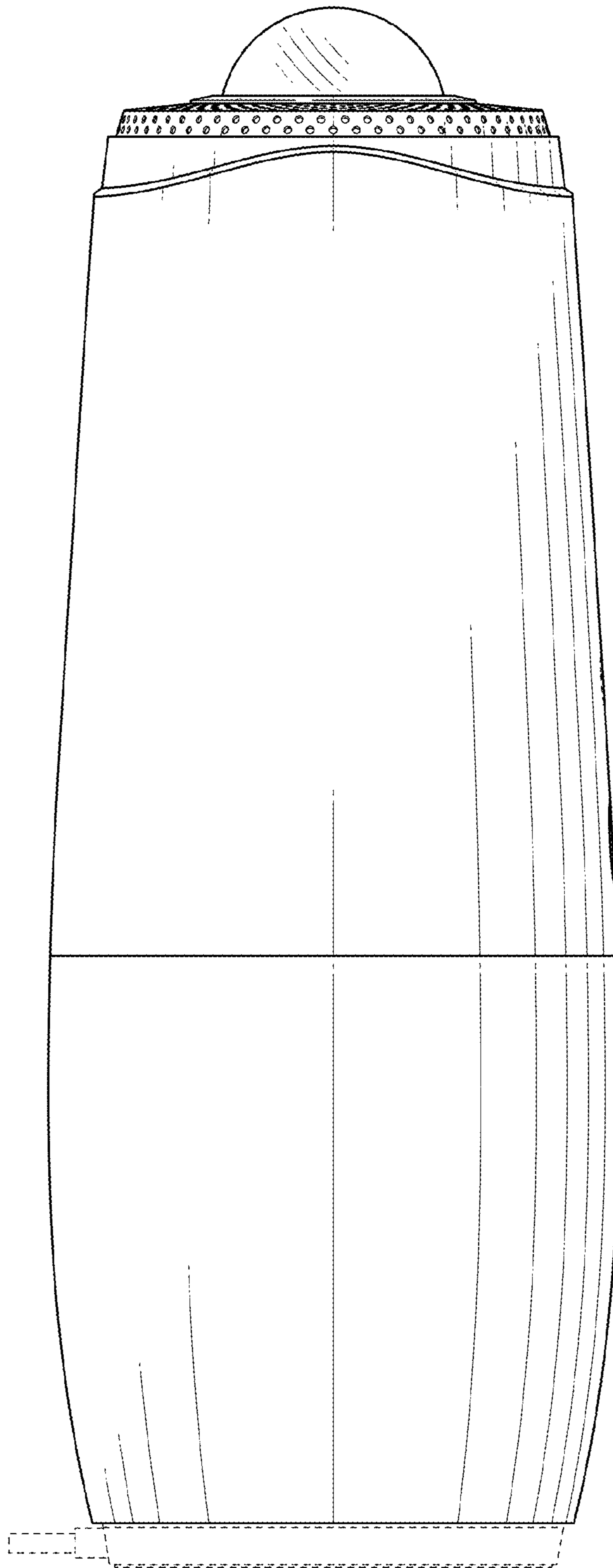


FIG. 4

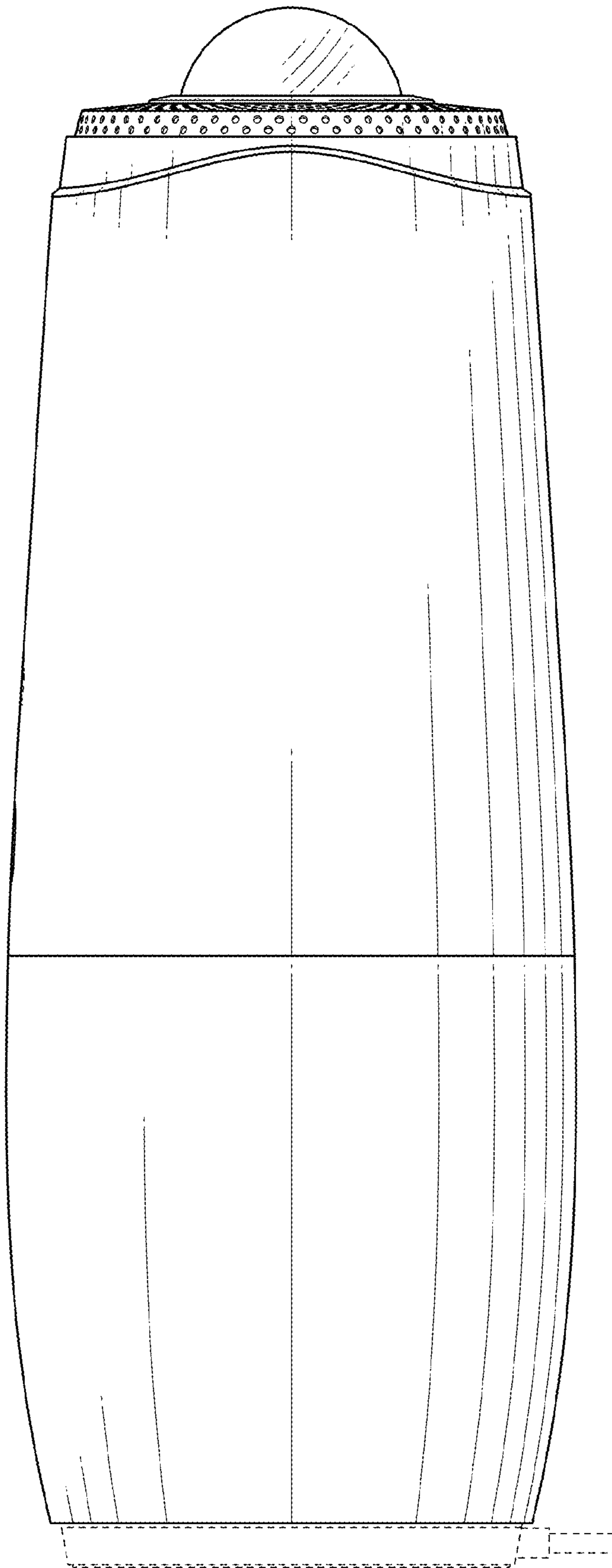


FIG. 5

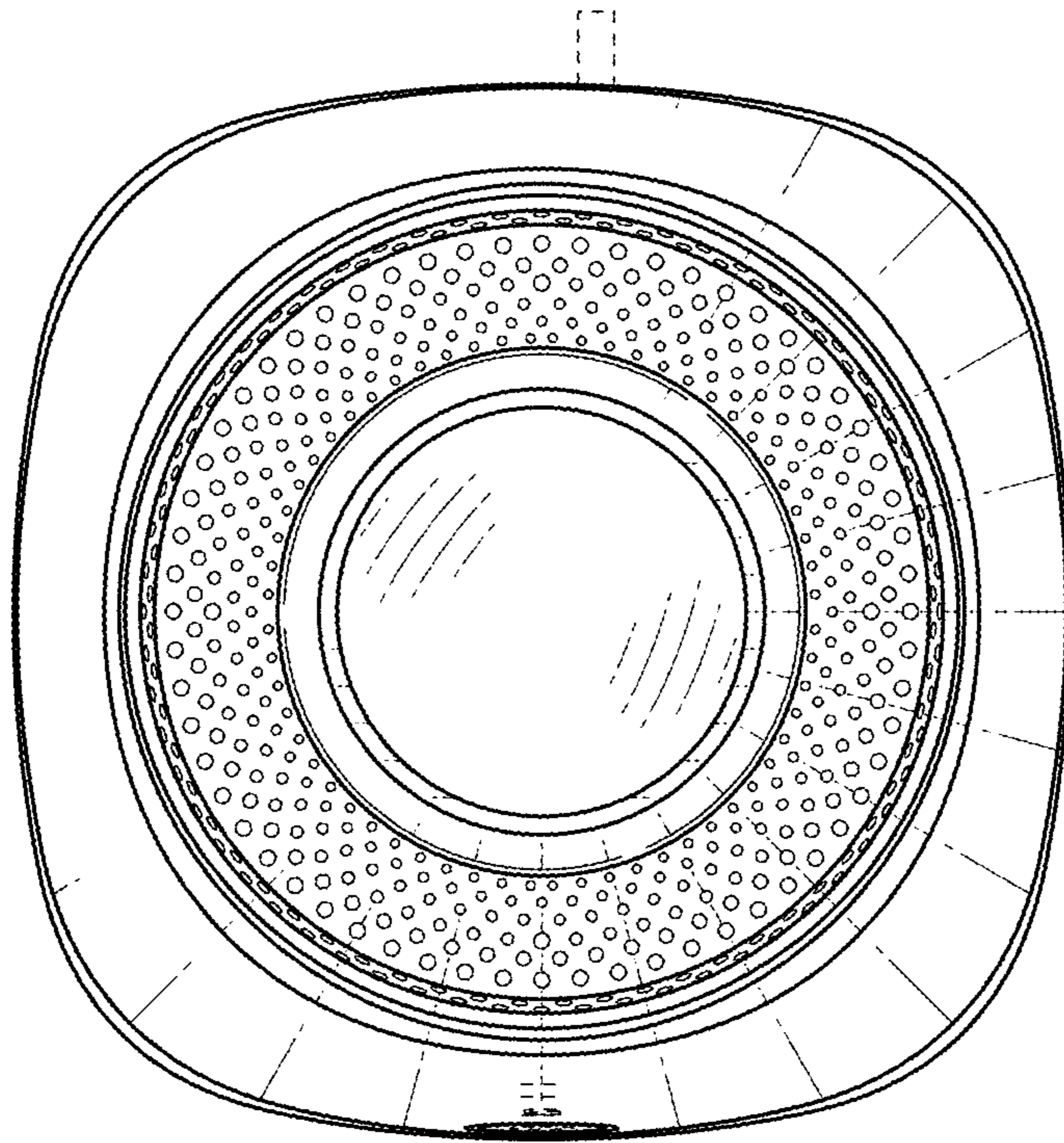


FIG. 6

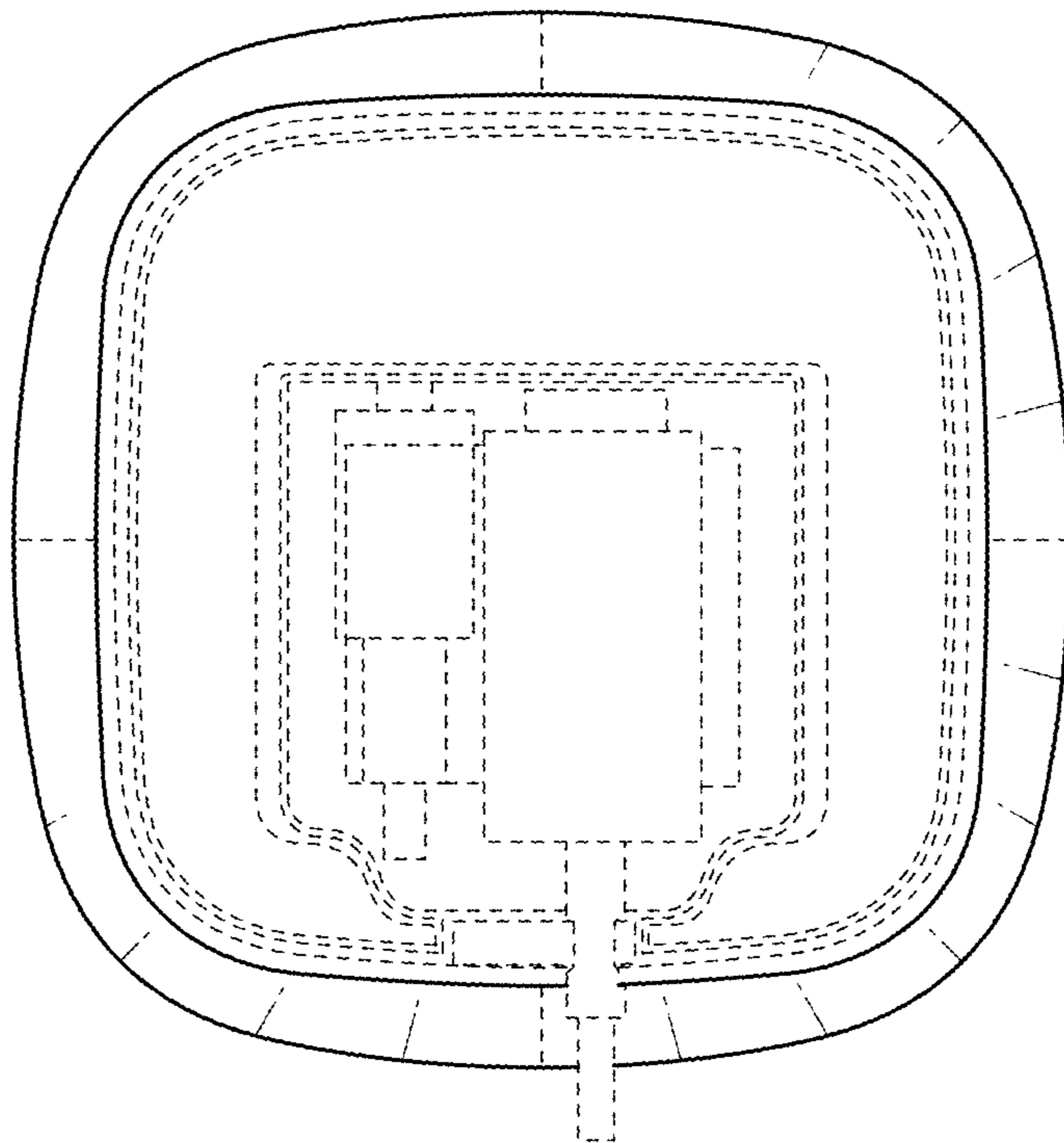


FIG. 7