

US00D960851S

(12) **United States Design Patent**
Tang et al.

(10) **Patent No.:** **US D960,851 S**
(45) **Date of Patent:** **** Aug. 16, 2022**

(54) **MOBILE PHONE**

(71) Applicant: **THE LIGHT PHONE INC.**, Brooklyn, NY (US)

(72) Inventors: **Kaiwei Tang**, Brooklyn, NY (US);
Joseph Hollier, Brooklyn, NY (US)

(73) Assignee: **THE LIGHT PHONE INC.**, Brooklyn, NY (US)

(**) Term: **15 Years**

(21) Appl. No.: **29/722,858**

(22) Filed: **Feb. 3, 2020**

(51) **LOC (13) Cl.** **14-03**

(52) **U.S. Cl.**

USPC **D14/138 G**

(58) **Field of Classification Search**

USPC D14/336, 341, 342, 345, 348, 371, 374,
D14/378, 379, 426, 432, 439, 126, 129,
D14/130, 496, 137, 138 R, 138 AA,
D14/138 AB, 138 AC, 138 AD, 138 C,
D14/138 G, 147, 203.1, 203.3, 203.4,
D14/203.7, 218, 247, 248, 388, 389;
D6/308; D10/104.1, 50, 74; D21/324,
D21/329, 330, 332; D24/186; D13/130,
D13/107, 118, 119

CPC G06F 3/041; G06F 3/0412; G06F 3/0488;
G06F 3/04883; G06F 1/1613; G06F
1/1626; G06F 1/1692; G06F 2200/1633;
H04M 1/0202; H04M 1/0235; H04M
1/0237; H04M 1/0239; H04M 1/0266;
H04M 1/0268; H04M 1/027; H04M
1/0295; H04M 1/02; H04M 1/0279;
H04M 1/0283; H04M 1/72463; H04M
1/72469; H04M 1/72454; G09G 3/344

See application file for complete search history.

(56) **References Cited**

U.S. PATENT DOCUMENTS

D565,596 S * 4/2008 Kim D14/496
D584,738 S * 1/2009 Kim D14/496
D593,132 S * 5/2009 Kim D14/496
D607,858 S * 1/2010 Millora D14/138 AD

(Continued)

FOREIGN PATENT DOCUMENTS

CN 302949248 * 9/2014
JP D1501980 * 7/2014
RU 00093698 * 6/2015

OTHER PUBLICATIONS

The Light Phone, www.engadget.com, Sep. 4, 2019. <https://www.engadget.com/2019-09-04-light-phone-2-preview.html> (Year: 2019).*

(Continued)

Primary Examiner — Llorelys Martinez

Assistant Examiner — Kwabena A. Ankobiah

(74) *Attorney, Agent, or Firm* — Jacob M. Ward; Ward Law Office LLC

(57) **CLAIM**

The ornamental design for a mobile phone, as shown and described.

DESCRIPTION

FIG. 1 is a top perspective view of a mobile phone showing our new design;

FIG. 2 is a bottom perspective view thereof;

FIG. 3 is a top plan view thereof;

FIG. 4 is a bottom plan view thereof;

FIG. 5 is a front elevational view thereof;

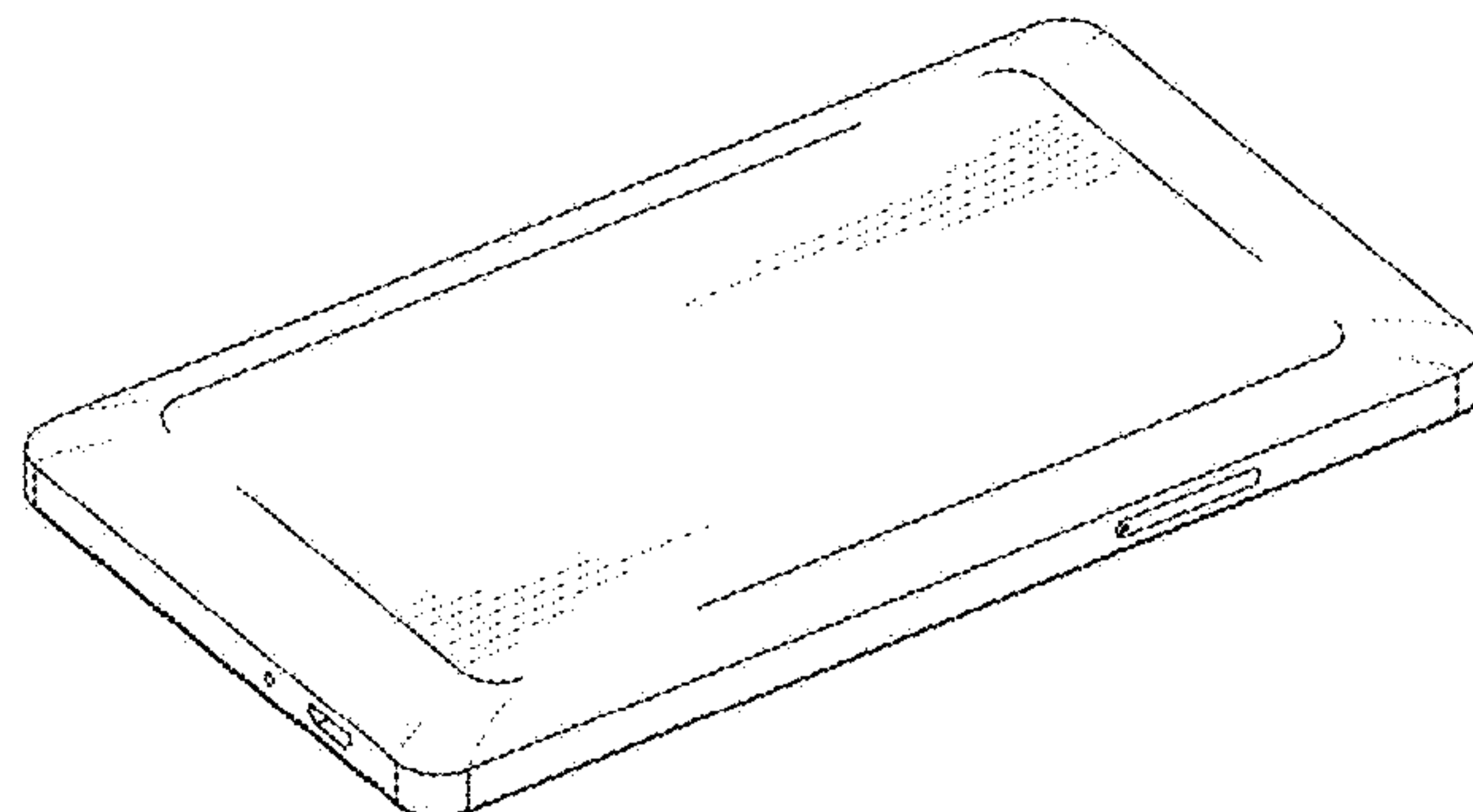
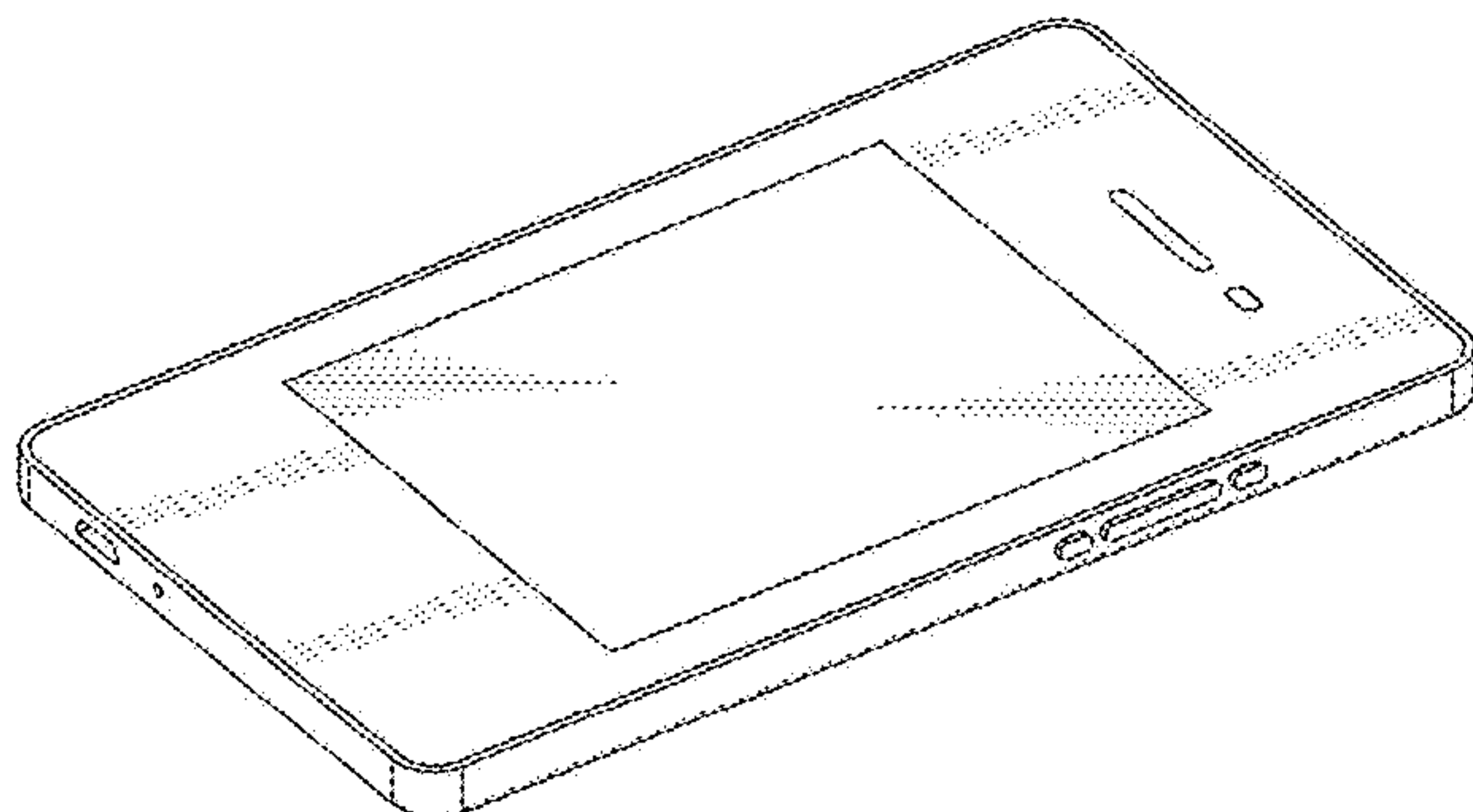
FIG. 6 is a rear elevational view thereof;

FIG. 7 is a right side elevational view thereof; and,

FIG. 8 is a left side elevational view thereof.

The broken lines in the drawings illustrate portions of the mobile phone that form no part of the claimed design.

1 Claim, 2 Drawing Sheets



(56)

References Cited

U.S. PATENT DOCUMENTS

8,274,472 B1 * 9/2012 Wang G09G 3/344
 345/107
 D689,840 S * 9/2013 Lu D14/138 G
 D698,746 S * 2/2014 Kaneta D14/138 G
 D720,324 S * 12/2014 Wang D14/138 G
 D720,711 S * 1/2015 Lin D14/138 G
 D736,766 S * 8/2015 Paschke D14/341
 D749,534 S * 2/2016 Liu D14/138 G
 D750,620 S * 3/2016 Zhai D14/341
 D750,621 S * 3/2016 Looz Canizares D14/341
 D755,147 S * 5/2016 Lin D14/138 G
 D790,534 S * 6/2017 Paschke D14/341
 D827,605 S * 9/2018 Yao D14/138 G
 D908,692 S * 1/2021 Biddle D14/341
 D908,693 S * 1/2021 Biddle D14/341
 D919,659 S * 5/2021 Yin D14/494
 D927,595 S * 8/2021 Ogden D20/10
 D933,626 S * 10/2021 Zhu D14/138 G
 D933,654 S * 10/2021 Chung D14/371
 D934,237 S * 10/2021 Yoshida D14/341

2020/0374385 A1 * 11/2020 Kang H04M 1/7246
 2021/0037123 A1 * 2/2021 Kim H01Q 1/243
 2021/0128977 A1 * 5/2021 Picker G06F 1/163
 2021/0144241 A1 * 5/2021 Kim H04M 1/026
 2021/0192471 A1 * 6/2021 Vieira H04M 1/72463
 2021/0266394 A1 * 8/2021 Tang H04M 1/0266

OTHER PUBLICATIONS

The High Hopes of the Low-Tech Phone. www.theverge.com, Sep. 4, 2019. <https://www.theverge.com/2019/9/4/20847717/light-phone-2-minimalist-features-design-keyboard-crowdfunding> (Year: 2019).*

The Bare-Bones Light Phone, www.wired.com, Sep. 4, 2019. <https://www.wired.com/story/light-phone-2/> (Year: 2019).*

Sony, ZTE Have the Small Premium Android Phones, www.pcmag.com, Sep. 3, 2015. <https://www.pcmag.com/news/sony-zte-have-the-small-premium-android-phones-we-want-but-cant-have> (Year: 2015).*

Amazon Kindle Paperwhite (2018) review, www.pocket-lint.com, Nov. 7, 2018. <https://www.pocket-lint.com/gadgets/reviews/amazon-kindle/146035-amazon-kindle-paperwhite-review-2018> (Year: 2018).*

* cited by examiner

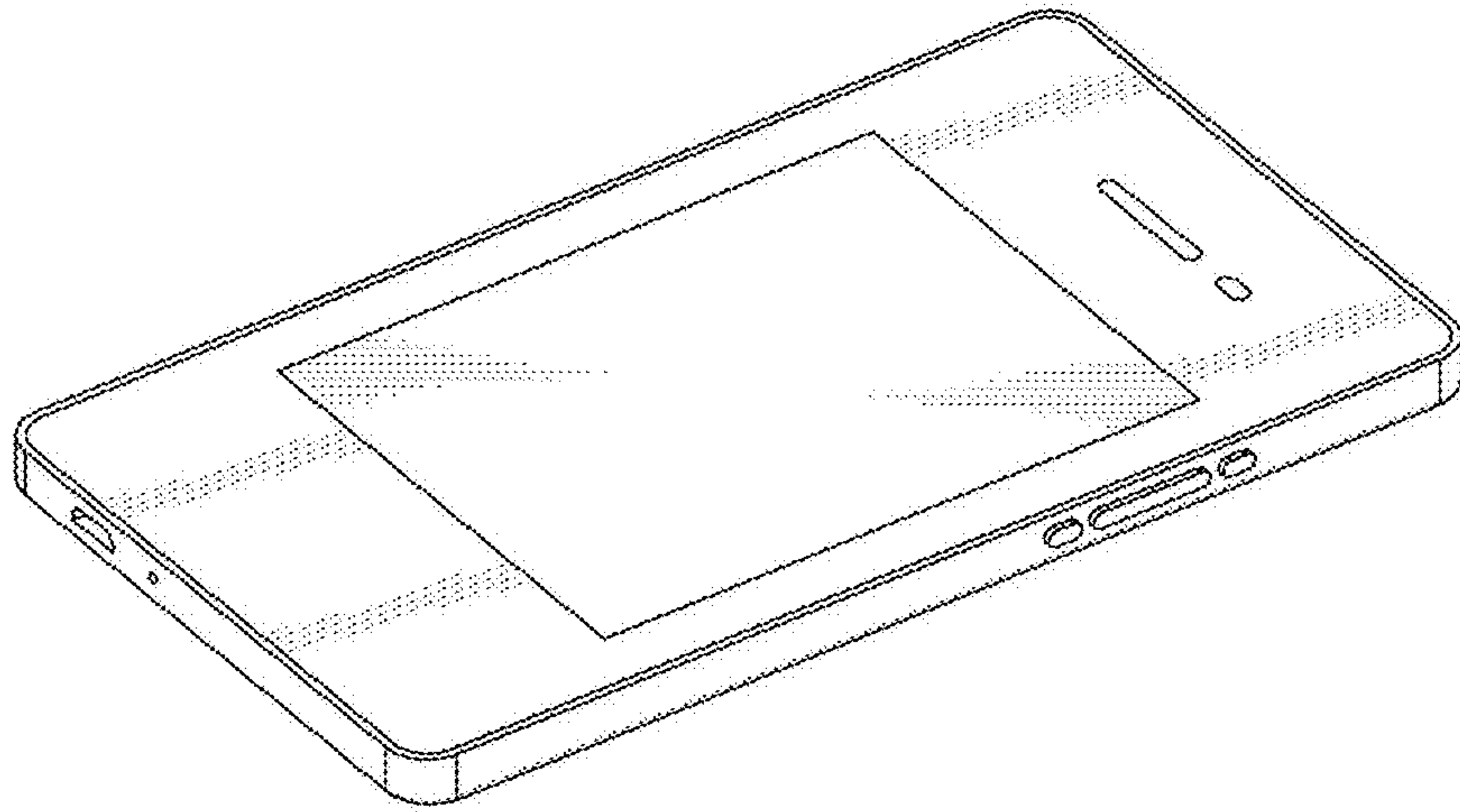


FIG. 1

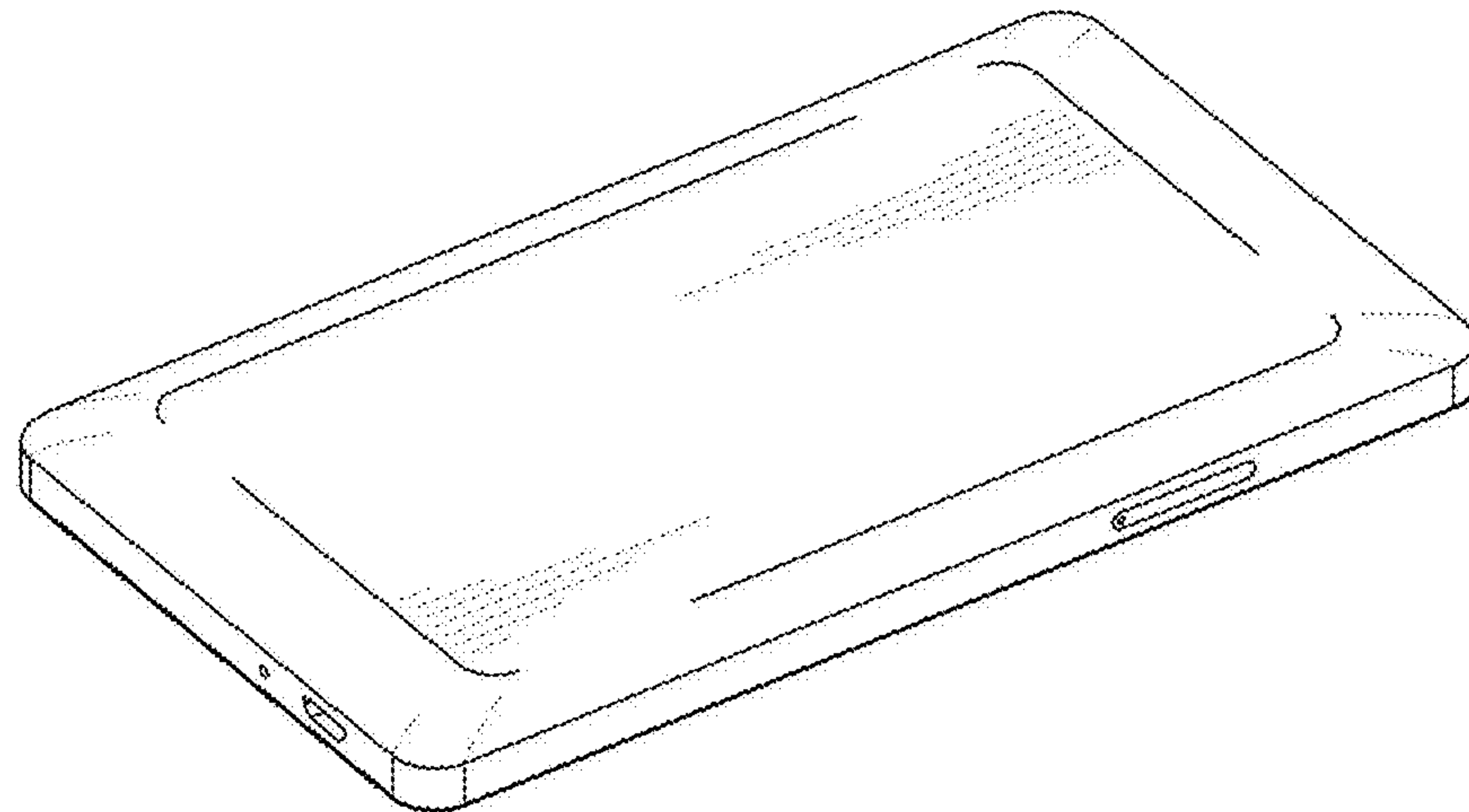


FIG. 2

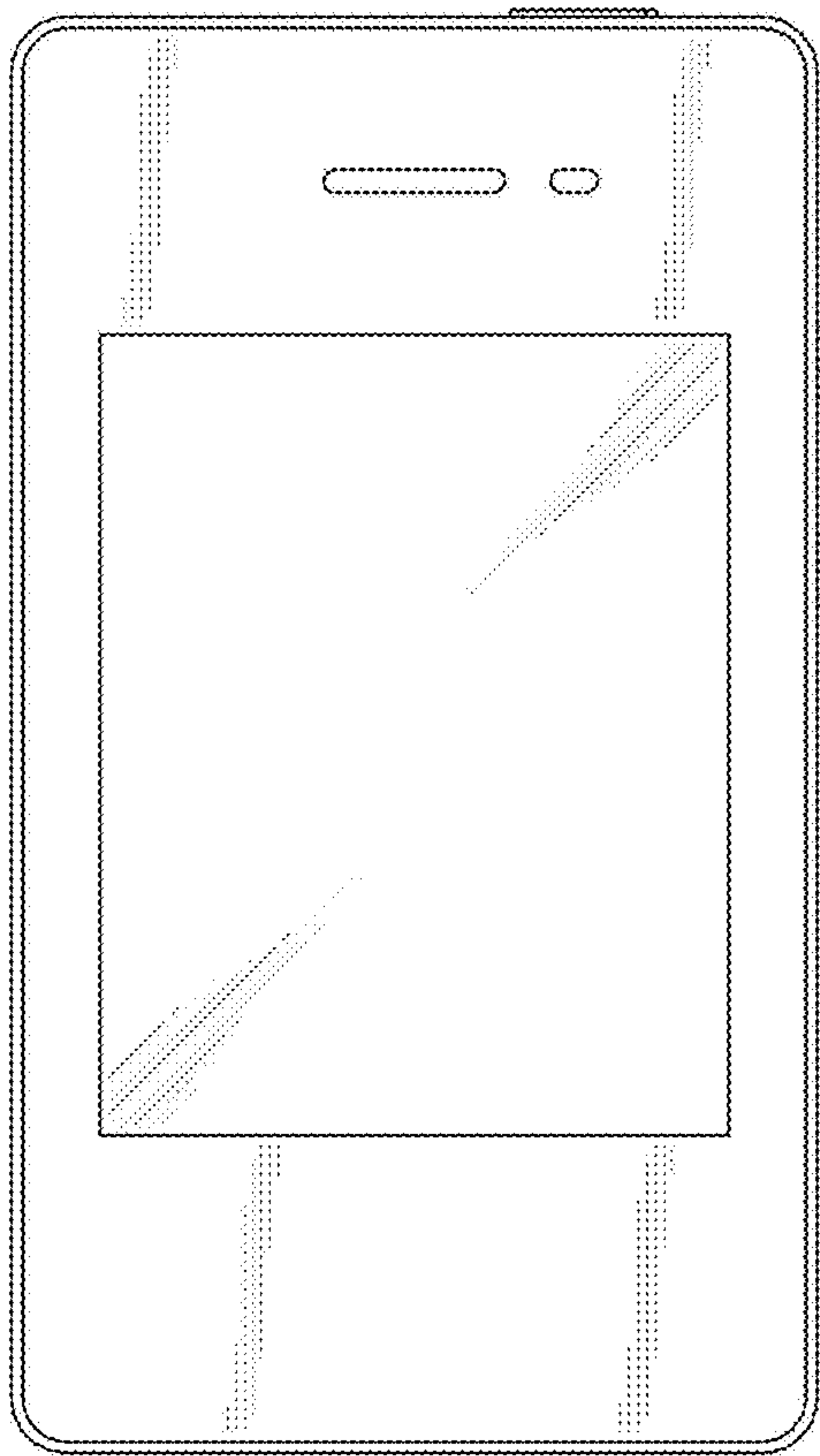


FIG. 3

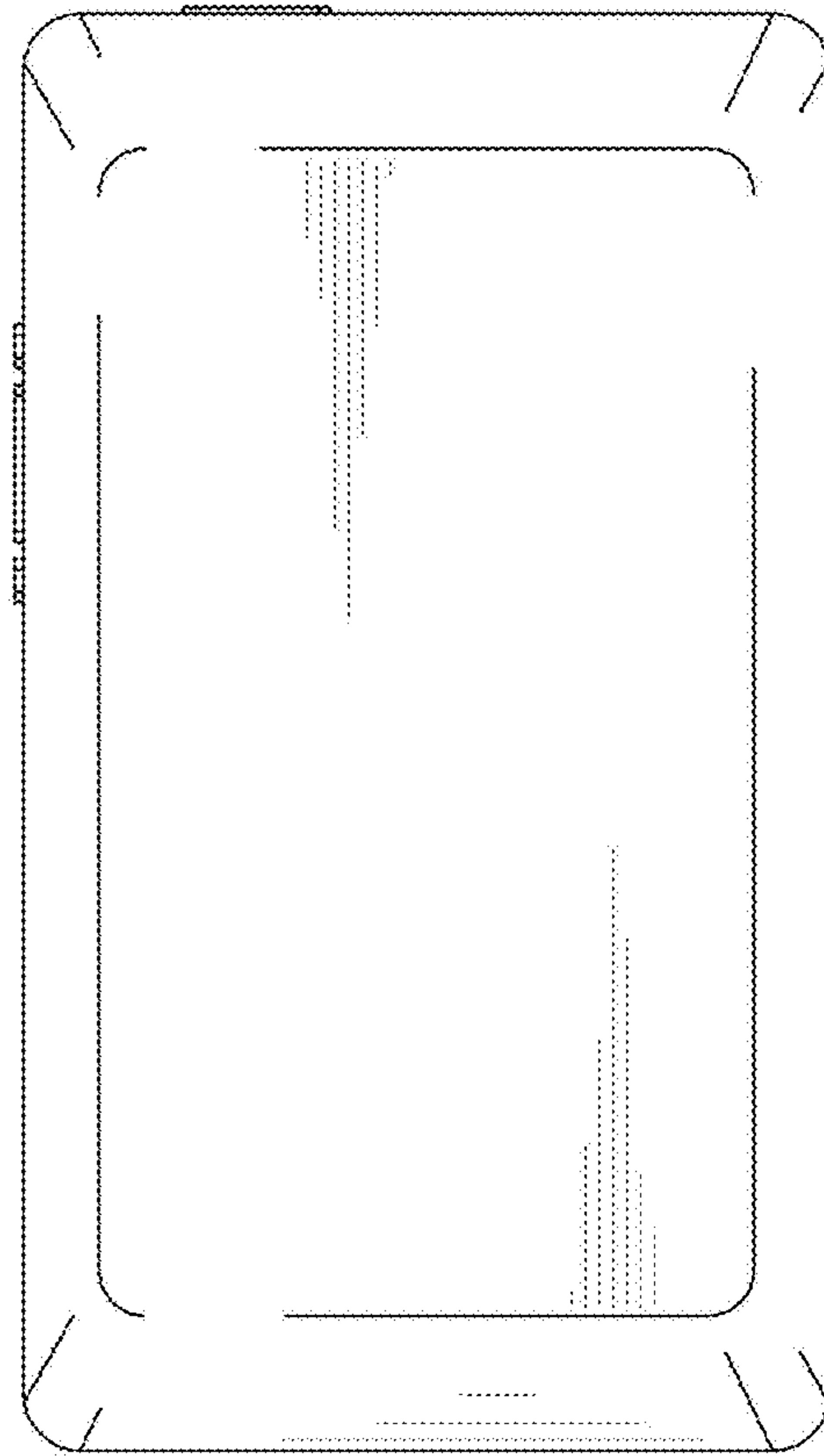


FIG. 4

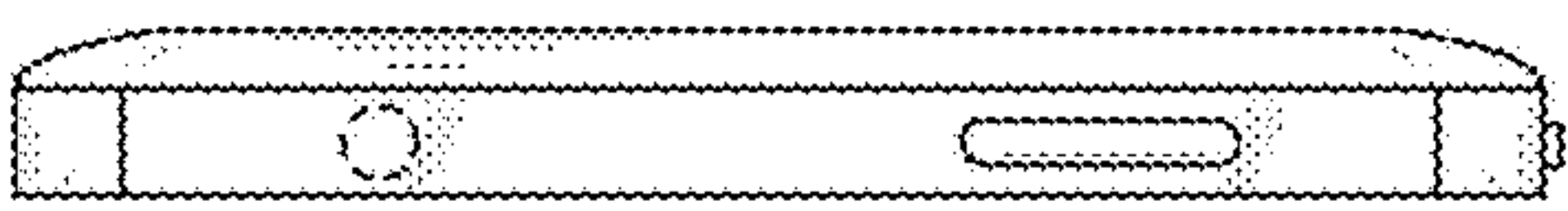


FIG. 5

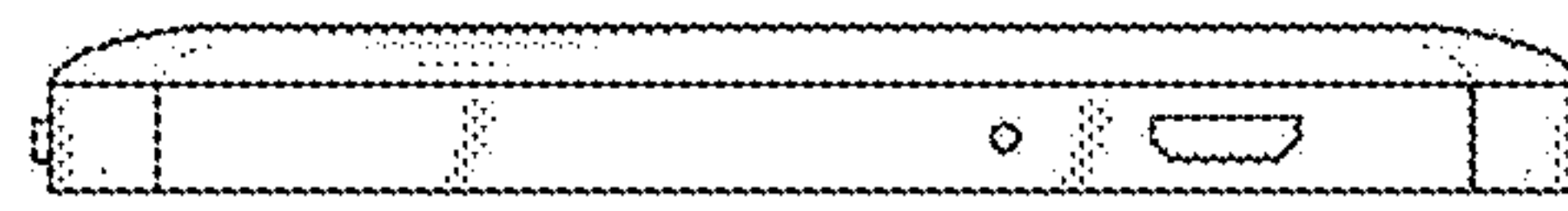


FIG. 6



FIG. 7



FIG. 8