



US00D960850S

(12) **United States Design Patent**  
**Chung**

(10) **Patent No.:** **US D960,850 S**

(45) **Date of Patent:** **\*\* Aug. 16, 2022**

(54) **HANDHELD COMMUNICATION DEVICE**

(71) Applicant: **EVERBLISS GREEN CO., LTD.**,  
New Taipei (TW)

(72) Inventor: **Wen-Chien Chung**, New Taipei (TW)

(73) Assignee: **EVERBLISS GREEN CO., LTD.**,  
New Taipei (TW)

(\*\*) Term: **15 Years**

(21) Appl. No.: **29/761,383**

(22) Filed: **Dec. 9, 2020**

(30) **Foreign Application Priority Data**

Nov. 23, 2020 (TW) ..... 109306535

(51) **LOC (13) Cl.** ..... **14-03**

(52) **U.S. Cl.**  
USPC ..... **D14/137**

(58) **Field of Classification Search**  
USPC ..... D14/137, 420, 496, 218, 147, 155, 159,  
D14/226, 191, 203.3, 203.7, 203.1, 203.5,  
D14/188, 192, 194-198, 214, 219, 221,  
D14/172; D13/168; D30/199; D6/313,  
D6/325; D10/104.1, 104.2, 106.1, 65, 78  
CPC ..... H04B 2001/3861; H04B 1/3827; H04B  
1/3833; H04M 1/233; G08B 21/0202  
See application file for complete search history.

(56) **References Cited**

**U.S. PATENT DOCUMENTS**

D436,350 S \* 1/2001 Cowan ..... D14/188  
D572,729 S \* 7/2008 Ledbetter ..... D14/496  
D590,730 S \* 4/2009 Simard ..... D10/50  
D596,152 S \* 7/2009 Hong ..... D14/138 AD  
D615,438 S \* 5/2010 Goetzl ..... D10/104.1  
D620,473 S \* 7/2010 Lee ..... D14/203.7  
D625,286 S \* 10/2010 Hibino ..... D14/203.3  
D631,033 S \* 1/2011 Lee ..... D14/203.7

D665,767 S \* 8/2012 Hancock ..... D14/159  
D719,127 S \* 12/2014 Nishiwaki ..... D14/167  
D749,640 S \* 2/2016 Wang ..... D14/496  
D763,220 S \* 8/2016 Deng ..... D14/159  
D774,471 S \* 12/2016 Kwan ..... D13/168  
D829,182 S \* 9/2018 Li ..... D13/168  
D837,760 S \* 1/2019 Lee ..... D14/138 G

(Continued)

**FOREIGN PATENT DOCUMENTS**

CN 306722041 \* 7/2021

**OTHER PUBLICATIONS**

Astro 900: Handheld Tracking System for Sporting Dogs, announced in YouTube on Aug. 29, 2018 [online], [site visited Dec. 29, 2021], available at URL: [https://youtu.be/A9oVgq\\_CD7s](https://youtu.be/A9oVgq_CD7s) (Year: 2018).\*

*Primary Examiner* — Wendy L Arminio

*Assistant Examiner* — Carrie S Gelula

(74) *Attorney, Agent, or Firm* — Bacon & Thomas, PLLC

(57) **CLAIM**

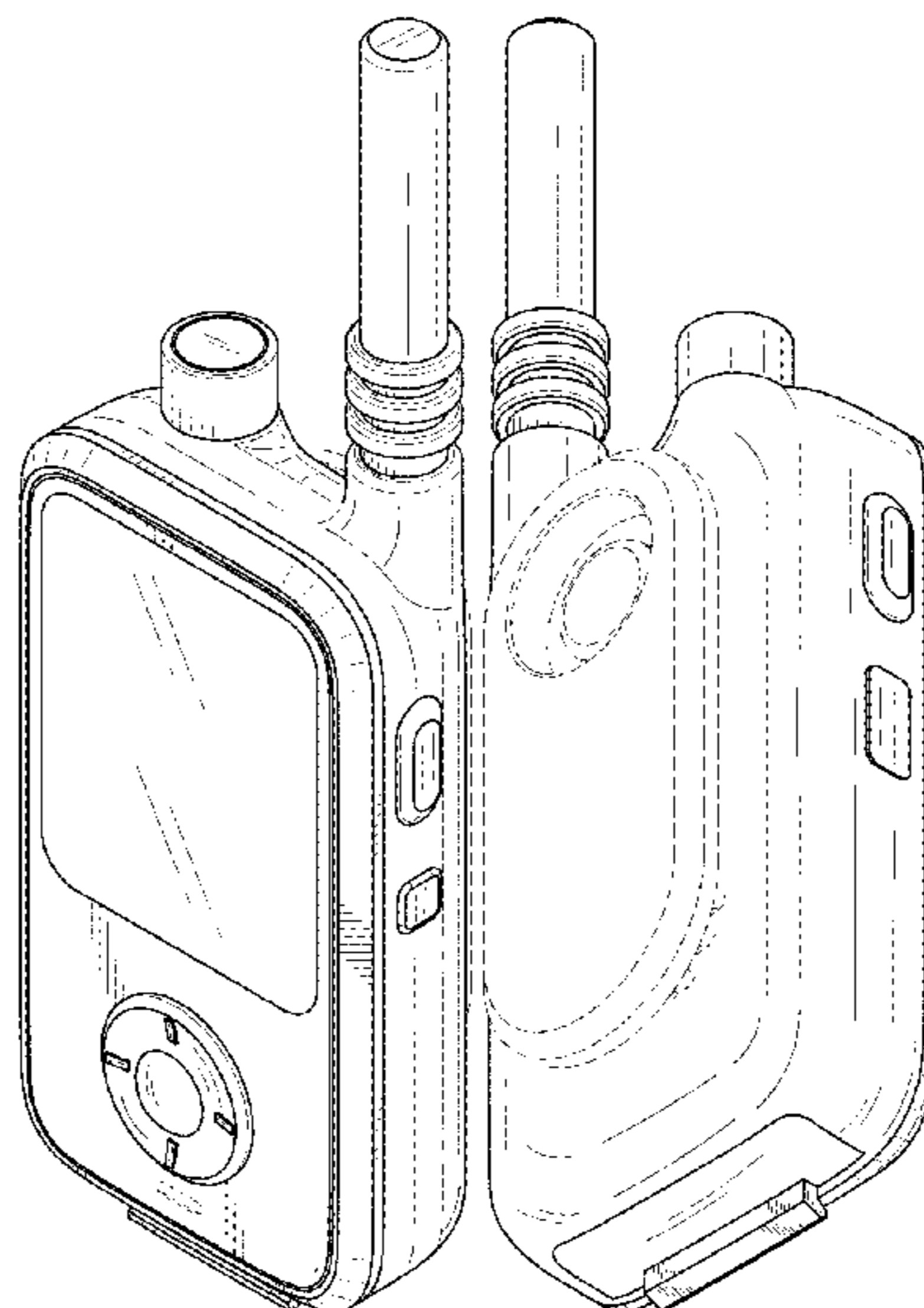
The ornamental design for a handheld communication device, as shown and described.

**DESCRIPTION**

FIG. 1 is a perspective view of a handheld communication device showing my new design;  
FIG. 2 is a front view thereof;  
FIG. 3 is a back view thereof;  
FIG. 4 is a left side elevational view thereof;  
FIG. 5 is a right side elevational view thereof;  
FIG. 6 is a top view thereof;  
FIG. 7 is a bottom view thereof; and,  
FIG. 8 is another perspective view of the handheld communication device.

The broken lines in the drawings are for the purpose of illustrating portions of the handheld communication device that form no part of the claimed design.

**1 Claim, 7 Drawing Sheets**



(56)

**References Cited**

U.S. PATENT DOCUMENTS

D868,724 S \* 12/2019 Xie ..... D14/159  
D926,717 S \* 8/2021 Hong ..... D14/137  
D927,004 S \* 8/2021 Peng ..... D24/200  
2014/0232541 A1\* 8/2014 Trenkle ..... G08B 25/10  
340/539.13

\* cited by examiner

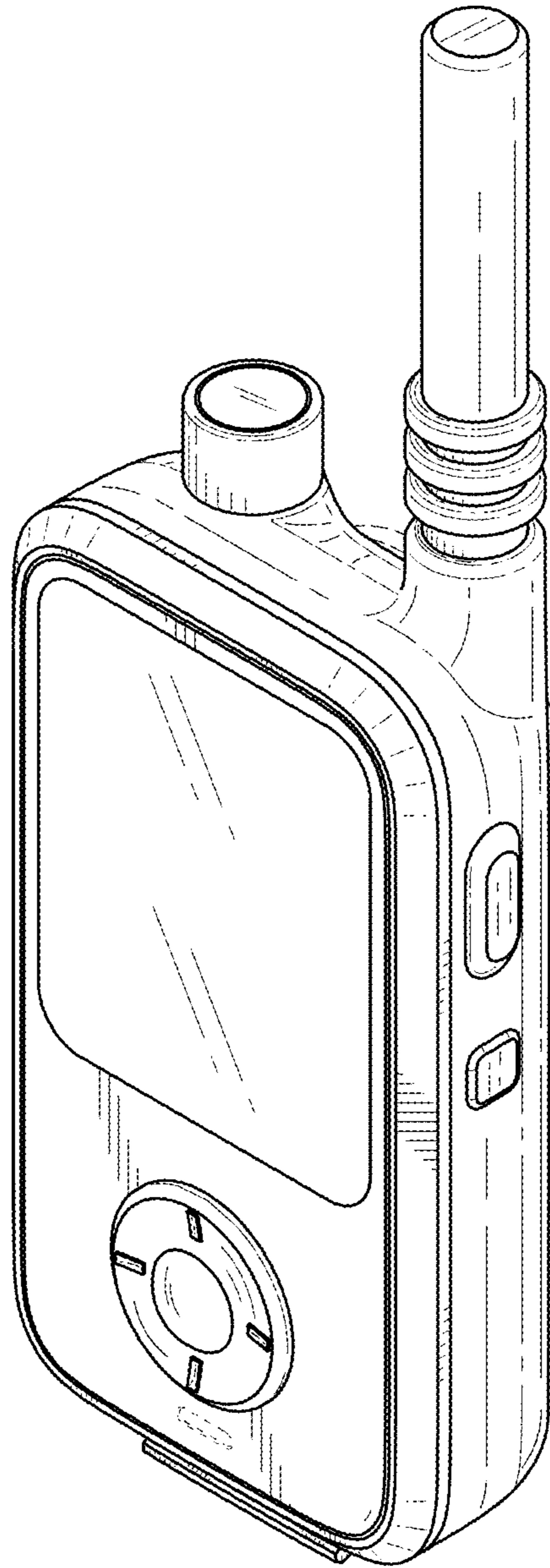


FIG. 1

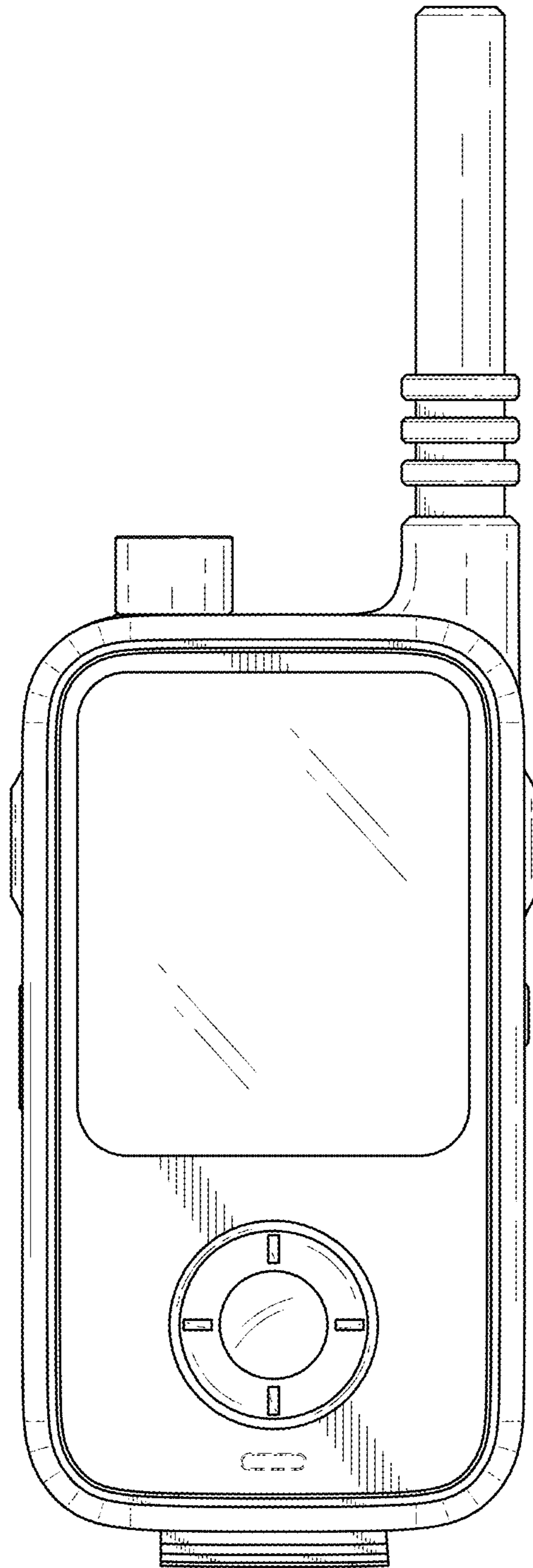


FIG. 2

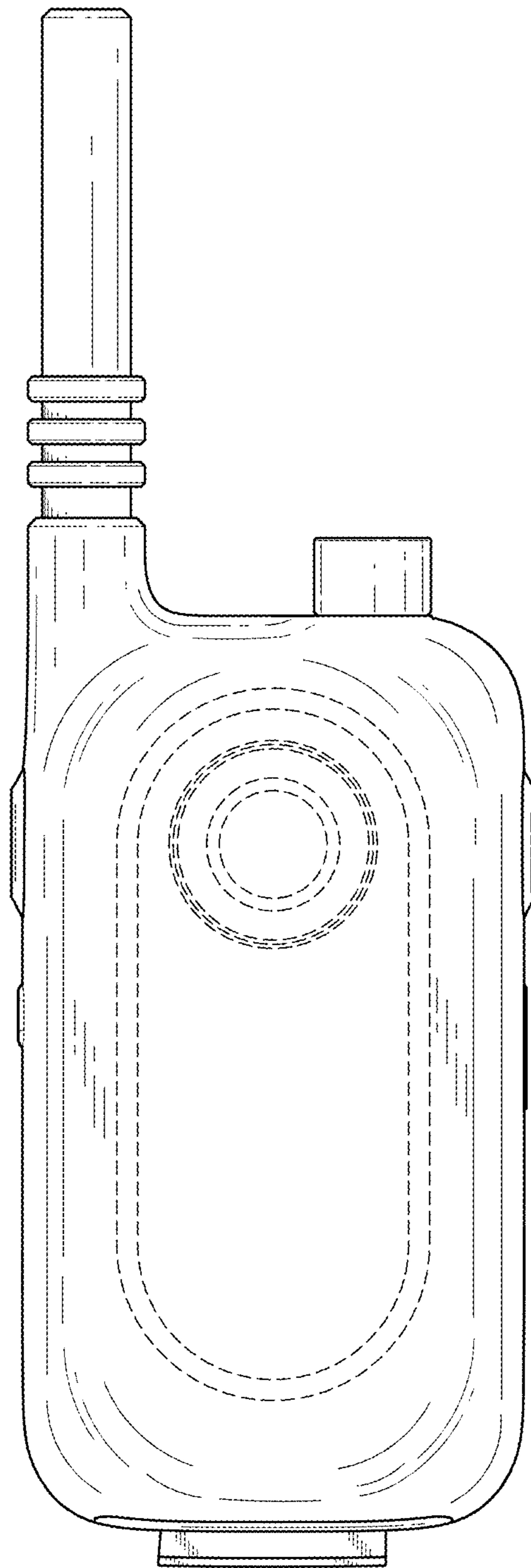


FIG. 3

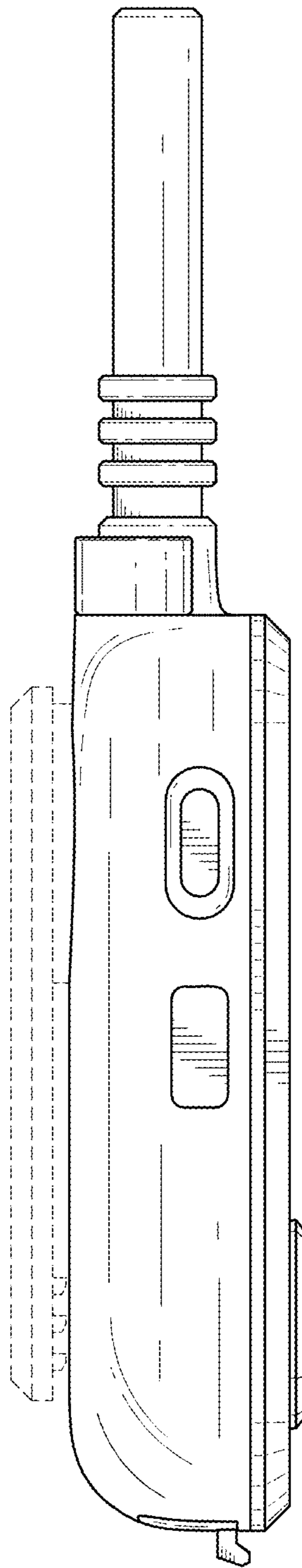


FIG. 4

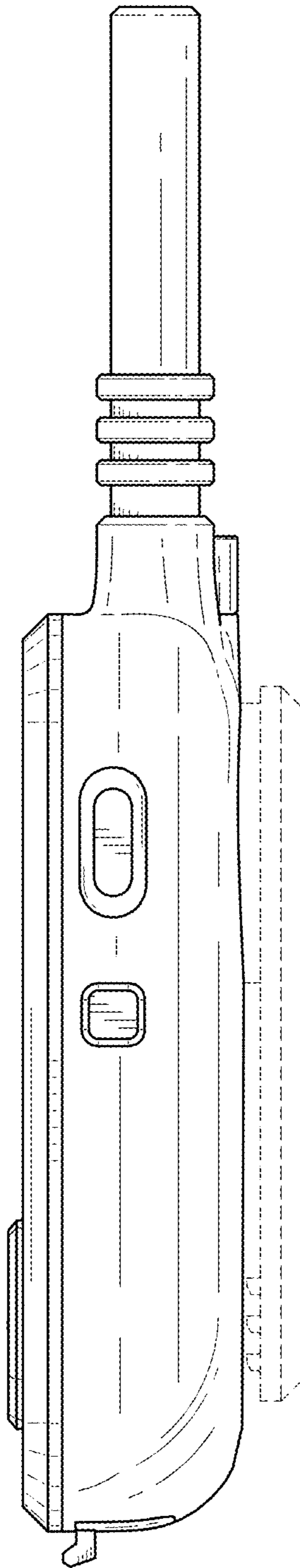


FIG. 5

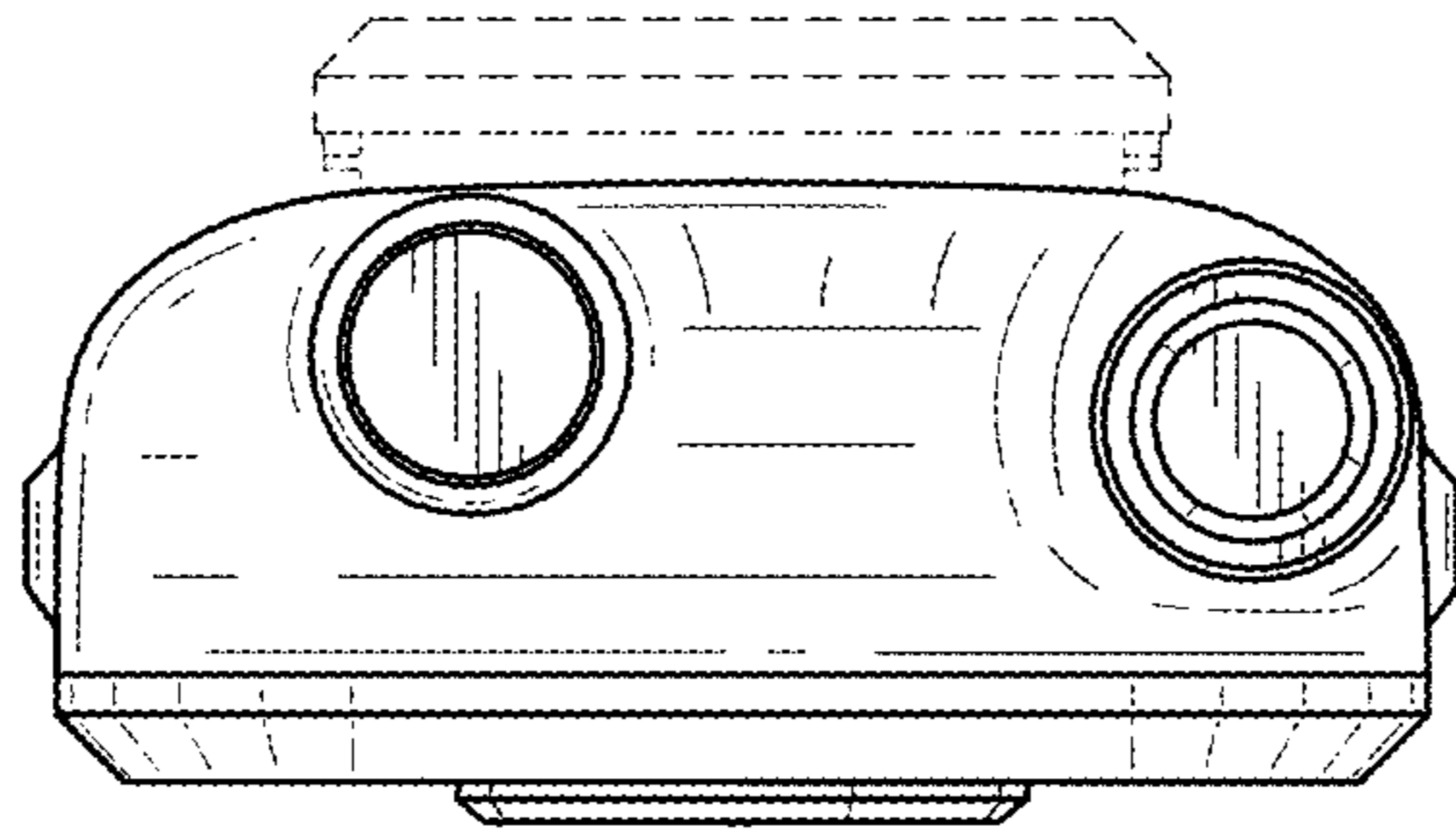


FIG. 6

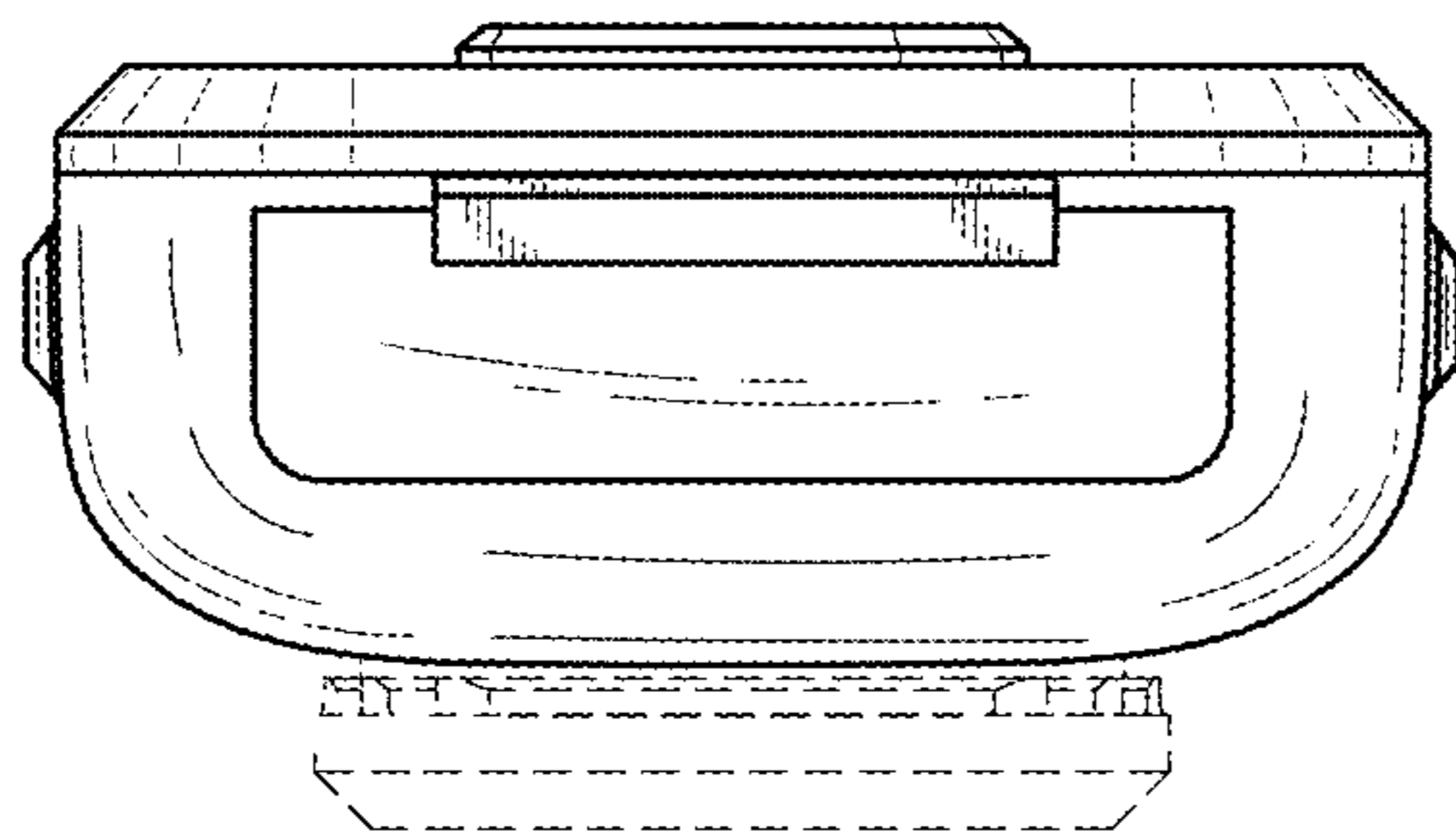


FIG. 7



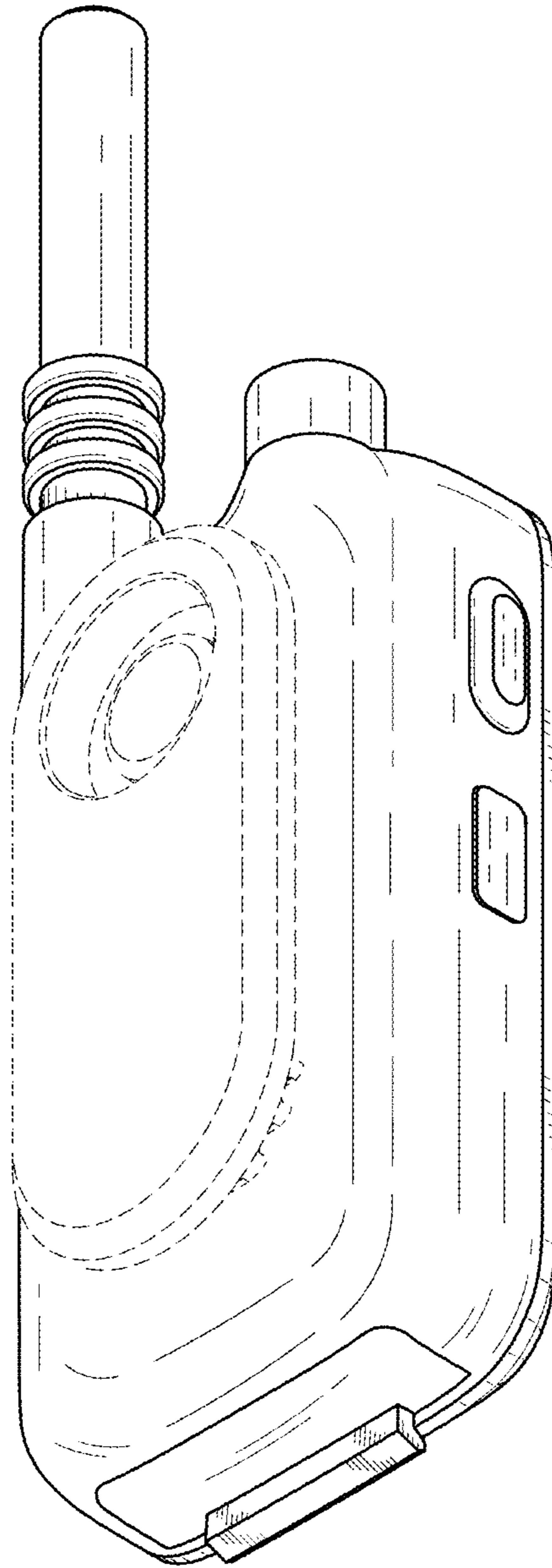


FIG. 8