

US00D960848S

(12) **United States Design Patent**  
**Boucard et al.**

(10) **Patent No.:** **US D960,848 S**

(45) **Date of Patent:** **\*\* Aug. 16, 2022**

(54) **TELEVISION SYSTEM**

(71) Applicant: **Tesseract Ventures, LLC**, Overland Park, KS (US)

(72) Inventors: **John Boucard**, Overland Park, KS (US); **Chung Liang**, Batavia, IL (US)

(73) Assignee: **Tesseract Ventures, LLC**, Overland Park, KS (US)

(\*\*) Term: **15 Years**

(21) Appl. No.: **29/820,991**

(22) Filed: **Dec. 27, 2021**

**Related U.S. Application Data**

(63) Continuation of application No. 29/729,979, filed on Mar. 31, 2020, now Pat. No. Des. 939,464.

(51) **LOC (13) Cl.** ..... **14-03**

(52) **U.S. Cl.**  
USPC ..... **D14/129**

(58) **Field of Classification Search**

USPC ... D14/315-318, 374, 388-389, 137, 138 R, D14/138 AD, 138 C, 138 AA, 138 G, D14/496, 203, 455, 420, 129-130, D14/341-347, 125-126, 240-242, 147, D14/155, 158, 167-168, 203.1, 203.3, D14/203.4, 203.7, 214, 218, 231, 233, D14/235, 237, 247, 299-301, 313-318, D14/324, 329-330, 336, 348-363, D14/365-371, 426-432, 435-436; D21/324, 329-330, 566, 332, 51, D21/478-480, 484, 491-492, 517; D13/168, 149; D20/9-10, 17-19, 42, 99  
CPC .... G06F 1/1652; G06F 1/1616; G06F 1/1643; G06F 1/1647; G06F 1/16; G06F 1/1601; G06F 1/1637; G06F 1/1626; G06F 3/0219; H04M 1/0268; H04M 1/0235; H04M 1/0214; G09F 9/301; H01R 24/68; G02B 6/0068; G06K 7/10881; G06K 7/10386; G06K 9/228; H05K 5/0226;

H05K 5/0204; H05K 5/0004; H05K 5/0017; H05K 5/0217; H05K 5/02; G09G 2380/02; H01L 27/323;

(Continued)

(56) **References Cited**

**U.S. PATENT DOCUMENTS**

D298,247 S \* 10/1988 Kogane ..... D14/126  
D306,289 S \* 2/1990 Lee ..... D14/126

(Continued)

**OTHER PUBLICATIONS**

JVC AV-27530 27" Stereo TV, first available Aug. 10, 2004, amazon.com, [online], [site visited Aug. 24, 2021], Available from internet URL: <https://www.amazon.com/jvc-av-27530-27-stereo-tv/dp/b0002h7hq6> (Year: 2004).\*

(Continued)

*Primary Examiner* — Samantha Q Lawrence

*Assistant Examiner* — Holly M Rodriguez

(74) *Attorney, Agent, or Firm* — Polsinelli PC

(57) **CLAIM**

We claim the ornamental design for a television system, as shown and described.

**DESCRIPTION**

FIG. 1 is a front perspective view of a television system, showing our new design;

FIG. 2 is a front elevational view thereof;

FIG. 3 is a rear elevational view thereof;

FIG. 4 is a left side elevational view thereof;

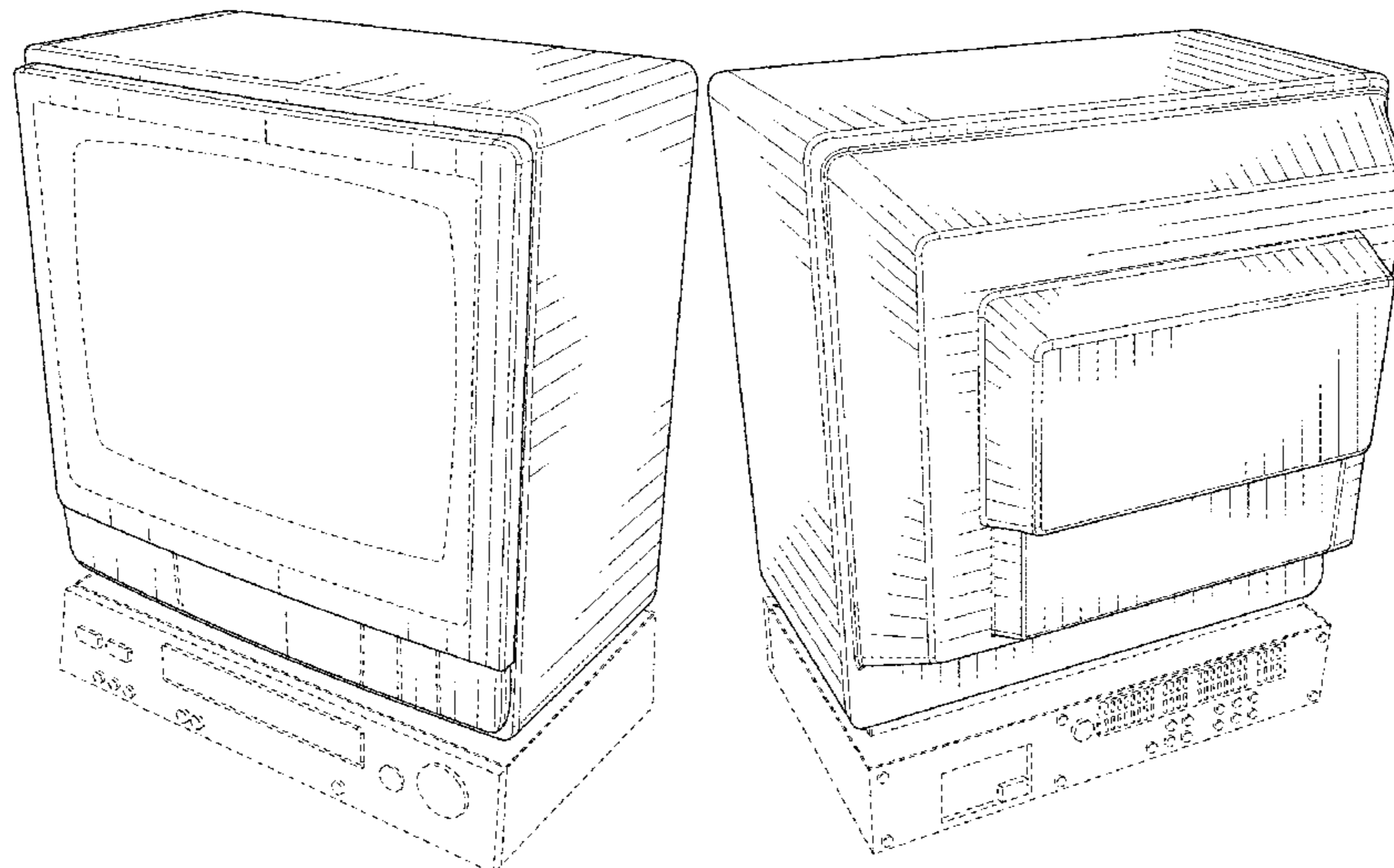
FIG. 5 is a right side elevational view thereof;

FIG. 6 is a top plan view thereof; and,

FIG. 7 is a rear perspective view thereof.

The broken lines in the drawings depict portions of the television system that form no part of the claimed design.

**1 Claim, 5 Drawing Sheets**



(58) **Field of Classification Search**

CPC ..... H04N 21/4316; H04N 5/64; H04N 5/66;  
H04N 5/655; H04N 7/00; H04N 9/3141;  
H04N 13/0459; H04N 17/04; H04N  
17/004; H04N 21/43637

See application file for complete search history.

(56) **References Cited**

U.S. PATENT DOCUMENTS

D317,597	S	*	6/1991	Kawanabe	.....	D14/126
D317,599	S	*	6/1991	Kawanabe	.....	D14/126
D324,043	S	*	2/1992	Nakahara	.....	D14/126
D324,381	S	*	3/1992	Takechi	.....	D14/126
D336,469	S	*	6/1993	Kawanabe	.....	D14/126
D372,236	S	*	7/1996	Starck	.....	D14/126
D376,798	S	*	12/1996	Renk	.....	D14/133
D391,563	S	*	3/1998	Inoue	.....	D14/126
D436,087	S	*	1/2001	Takami	.....	D14/126
D444,776	S	*	7/2001	Zhai	.....	D14/126
D464,348	S	*	10/2002	Takemasa	.....	D14/375
D939,464	S	*	12/2021	Boucard	.....	D14/129

OTHER PUBLICATIONS

KC inventor, toy maker put classic TV shows, movies, first available Jul. 30, 2021, johnboucard.medium.com, [online], [site visited Aug. 25, 2021], Available from internet URL: <https://johnboucard.medium.com/kc-inventor-toy-maker-put-classic-tv-shows-movies-at-your-fingertips-db1634b3692c> (Year: 2021).\*

\* cited by examiner

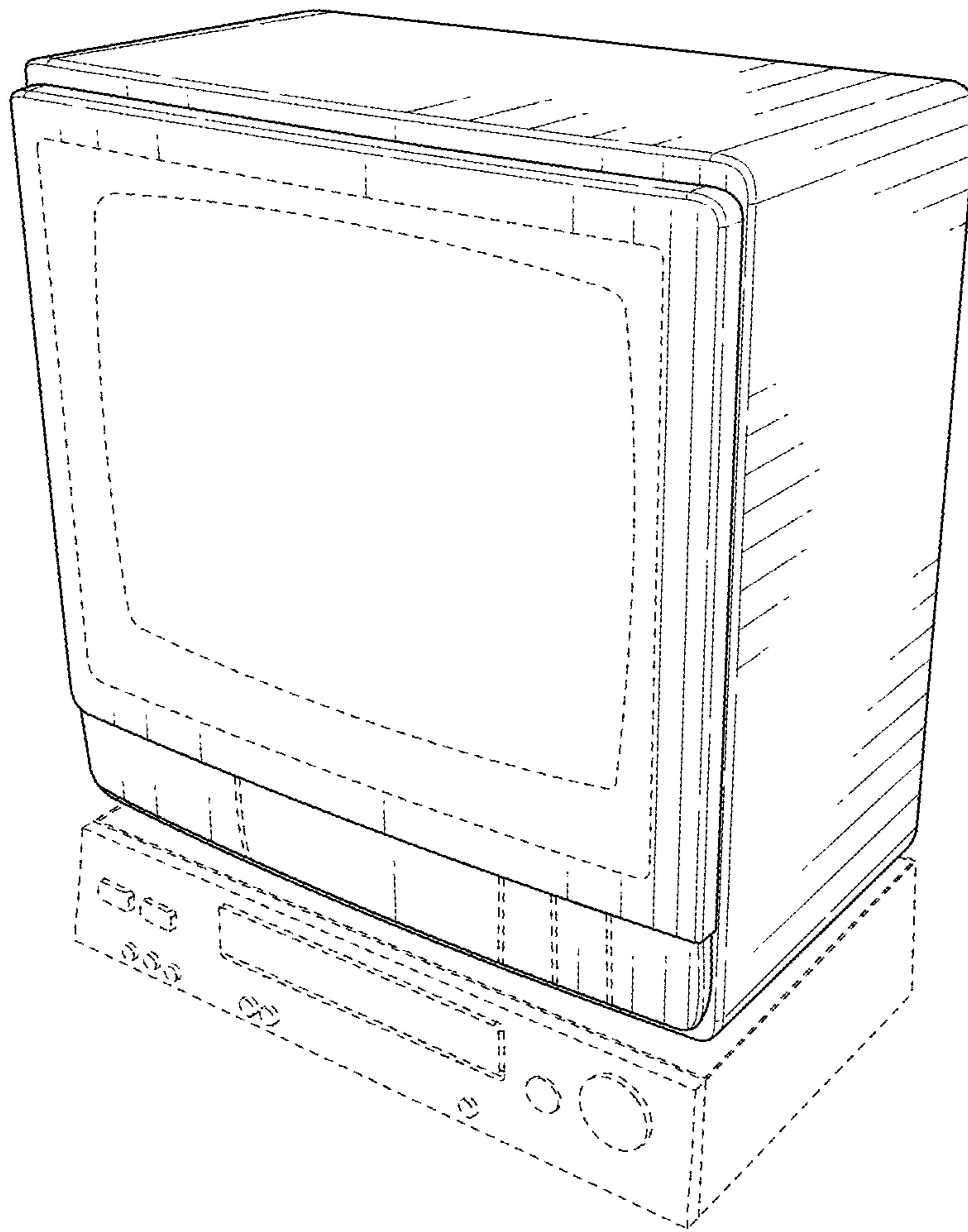


FIG. 1

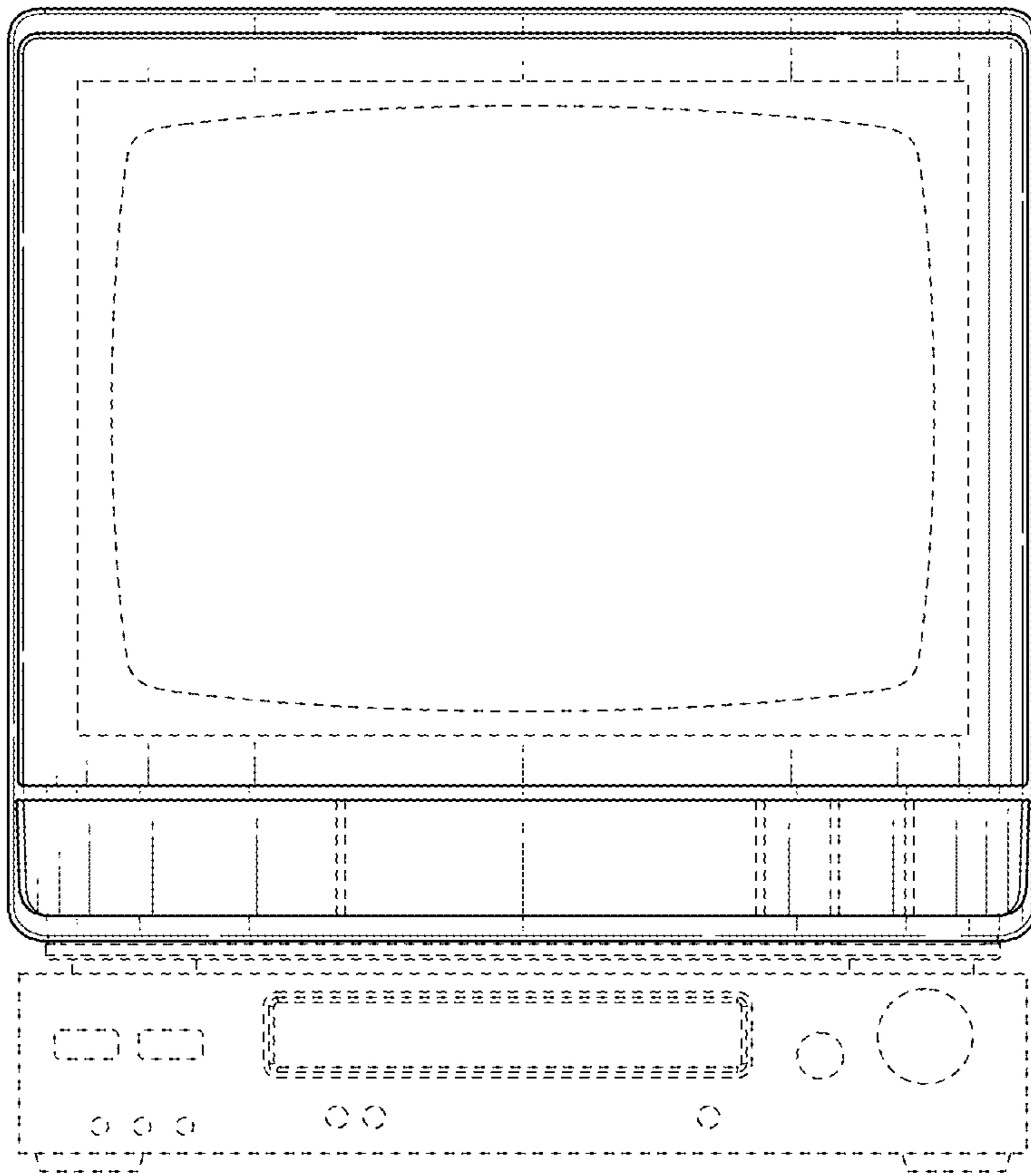


FIG. 2

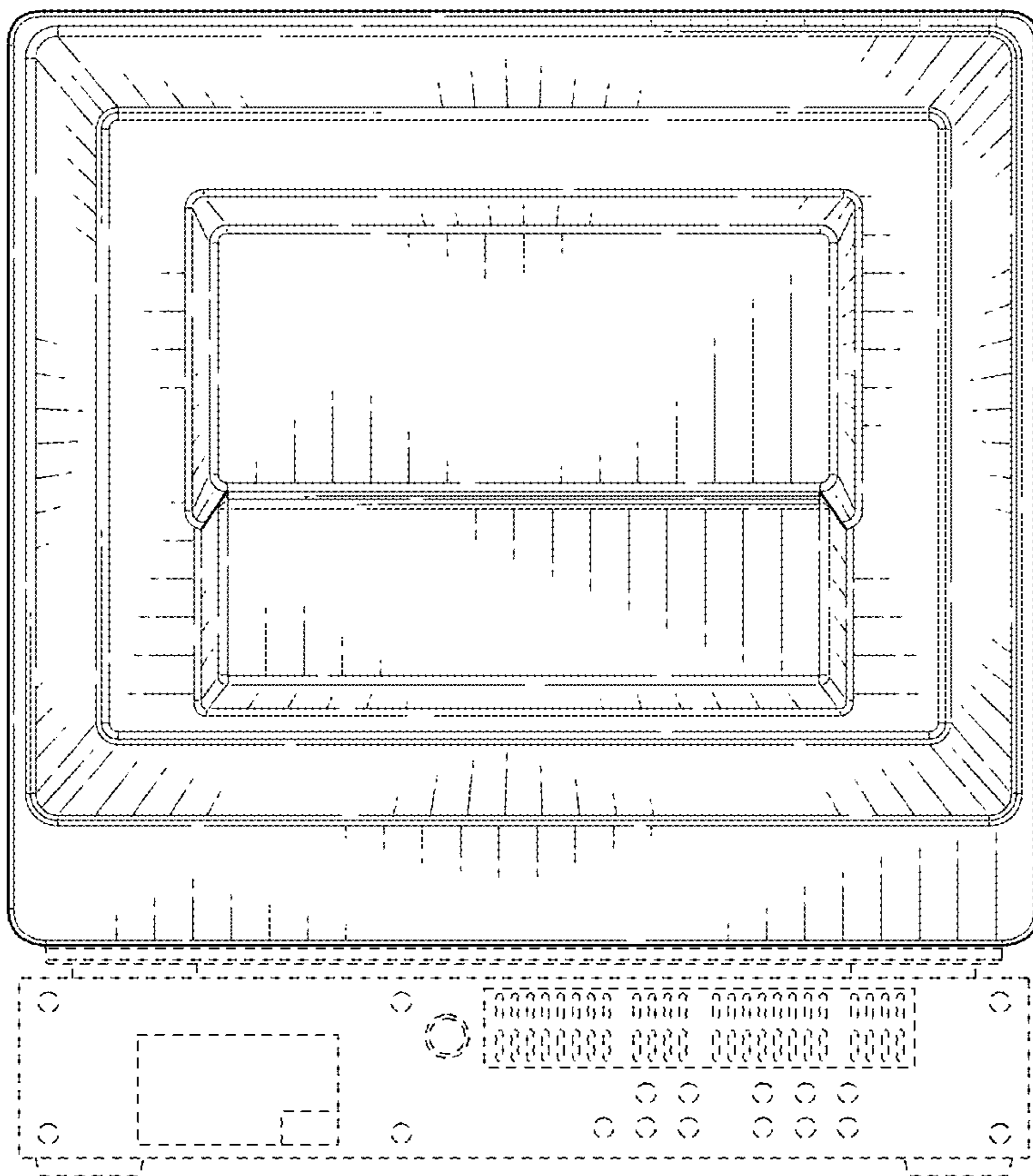


FIG. 3

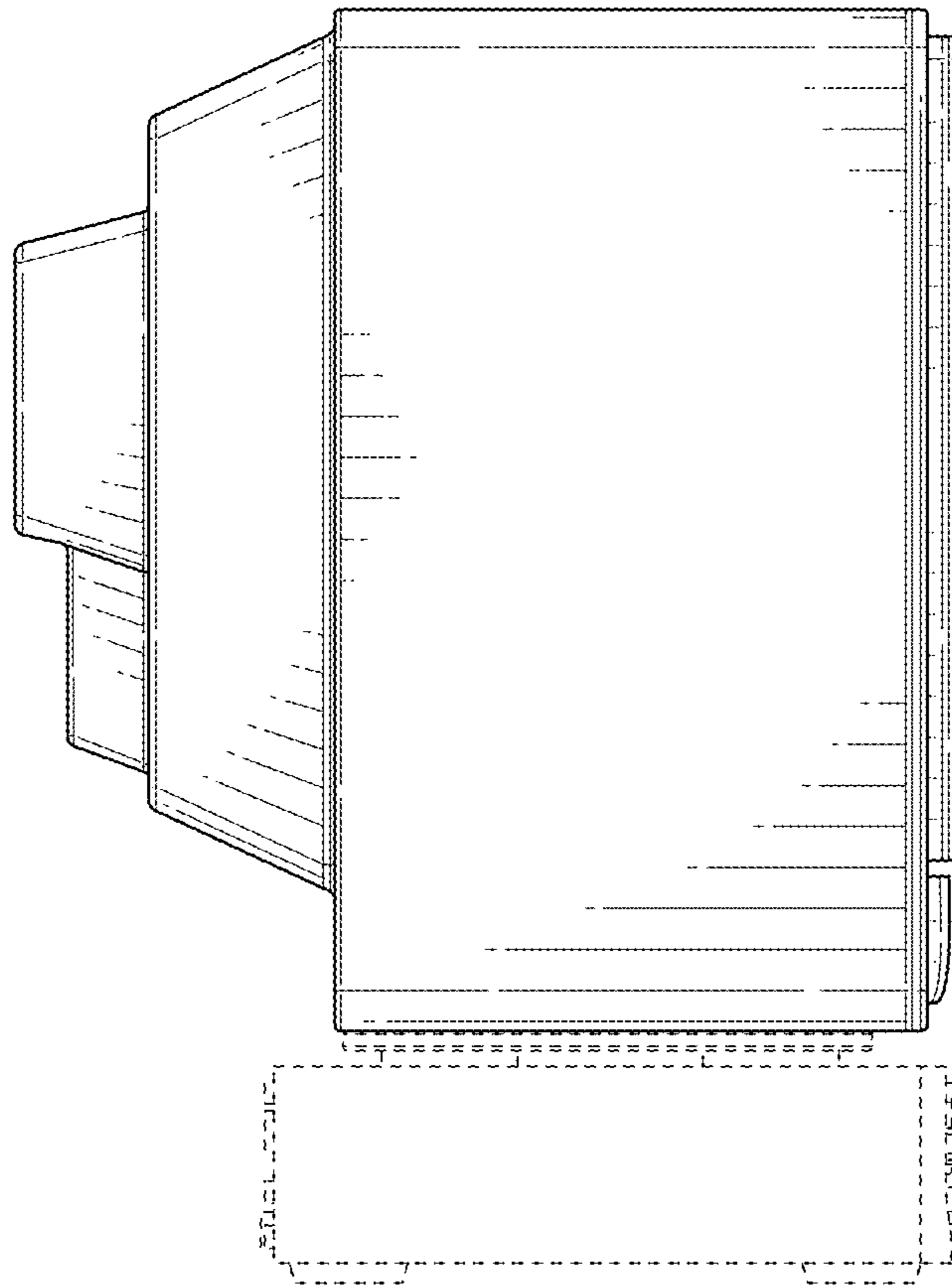


FIG. 4

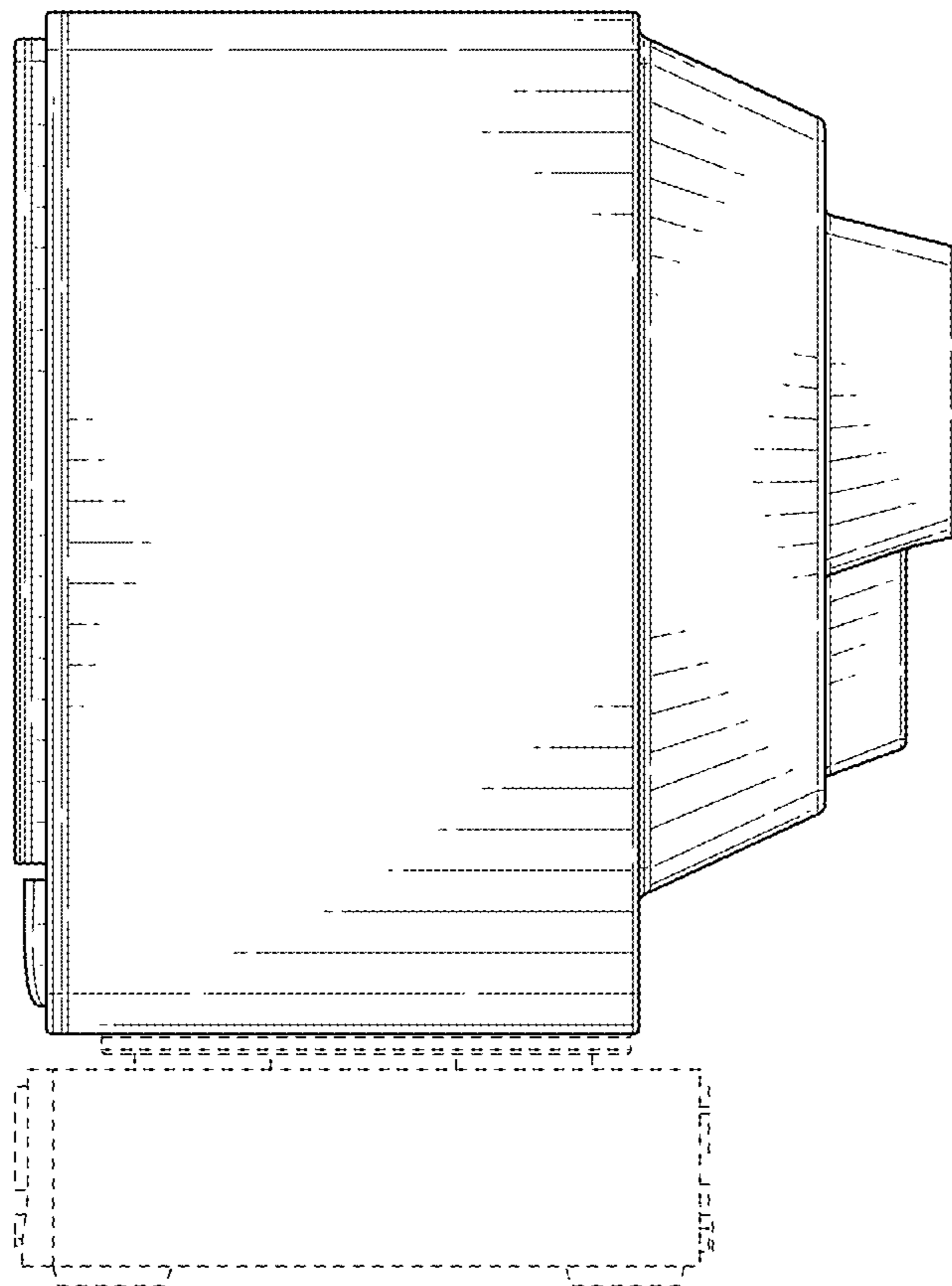


FIG. 5

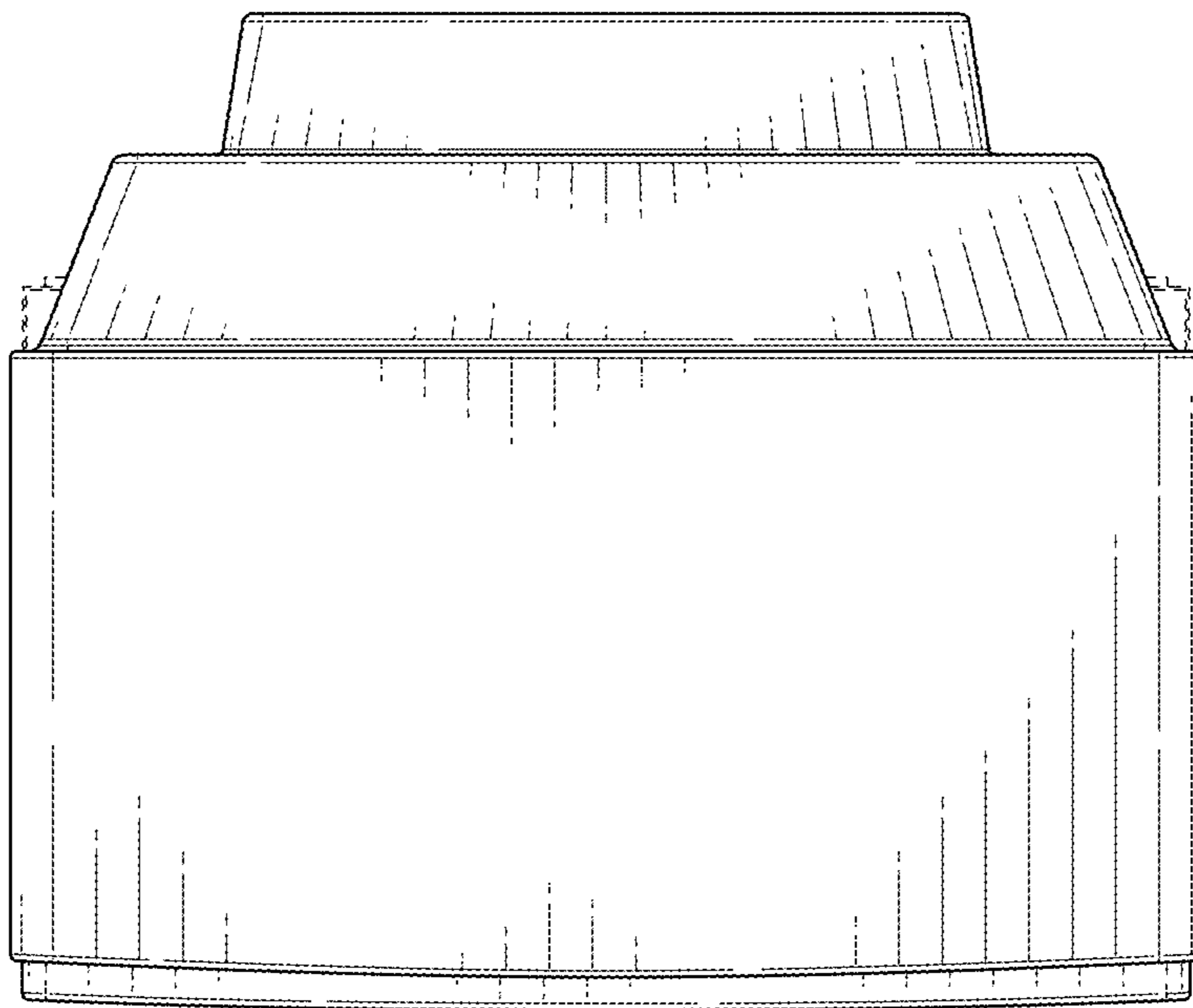


FIG. 6

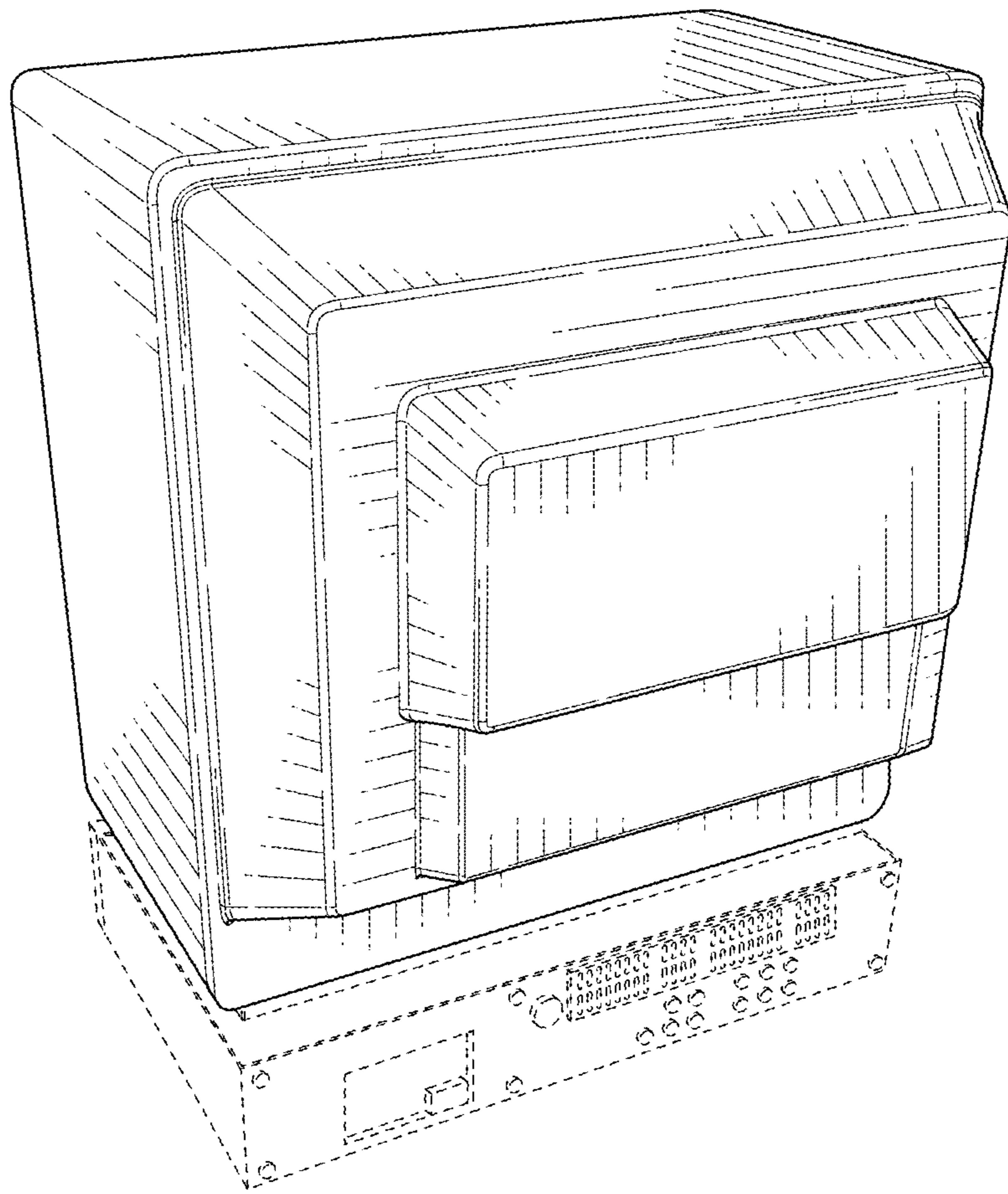


FIG. 7