



US00D960847S

(12) **United States Design Patent** (10) **Patent No.:** **US D960,847 S**  
**Kim et al.** (45) **Date of Patent:** **\*\* Aug. 16, 2022**

(54) **TELEVISION**  
(71) Applicant: **LG ELECTRONICS INC.**, Seoul (KR)  
(72) Inventors: **Yongseok Kim**, Seoul (KR); **Sungyong Park**, Seoul (KR); **Youngkook Seo**, Seoul (KR); **Myungwhoon Lee**, Seoul (KR)  
(73) Assignee: **LG ELECTRONICS INC.**, Seoul (KR)  
(\*\*) Term: **15 Years**  
(21) Appl. No.: **35/511,819**  
(22) Filed: **Nov. 3, 2020**  
(80) **Hague Agreement Data**  
Int. Filing Date: **Nov. 3, 2020**  
Int. Reg. No.: **DM/211662**  
Int. Reg. Date: **Nov. 3, 2020**  
Int. Reg. Pub. Date: **May 7, 2021**

(30) **Foreign Application Priority Data**  
May 20, 2020 (KR) ..... 30-2020-0022123  
(51) **LOC (13) Cl.** ..... **14-03**  
(52) **U.S. Cl.**  
USPC ..... **D14/126**  
(58) **Field of Classification Search**  
USPC ..... D14/125-129, 132, 203.3, 203.7, 300, D14/308, 310, 336, 341, 371, 372-380  
CPC ..... G06F 1/1601; G06F 1/1605; G06F 1/162  
See application file for complete search history.

(56) **References Cited**  
U.S. PATENT DOCUMENTS  
D716,244 S \* 10/2014 Kim ..... D14/126  
D744,444 S \* 12/2015 Kim ..... D14/126

D757,667 S \* 5/2016 Yokota ..... D14/126  
D777,128 S \* 1/2017 Kim ..... D14/126  
D778,854 S \* 2/2017 Lee ..... D14/126  
D779,446 S \* 2/2017 Bouroullec ..... D14/126  
D782,431 S \* 3/2017 Lee ..... D14/126  
D782,433 S \* 3/2017 Lee ..... D14/126  
(Continued)

**OTHER PUBLICATIONS**

VIVO Artistic Easel Studio TV Display Stand, publication date May 23, 2019, [online] URL: <https://www.amazon.com/VIVO-Artistic-Display-Adjustable-STAND-TV70A/dp/B07S972T3C> (Year: 2019).\*  
(Continued)

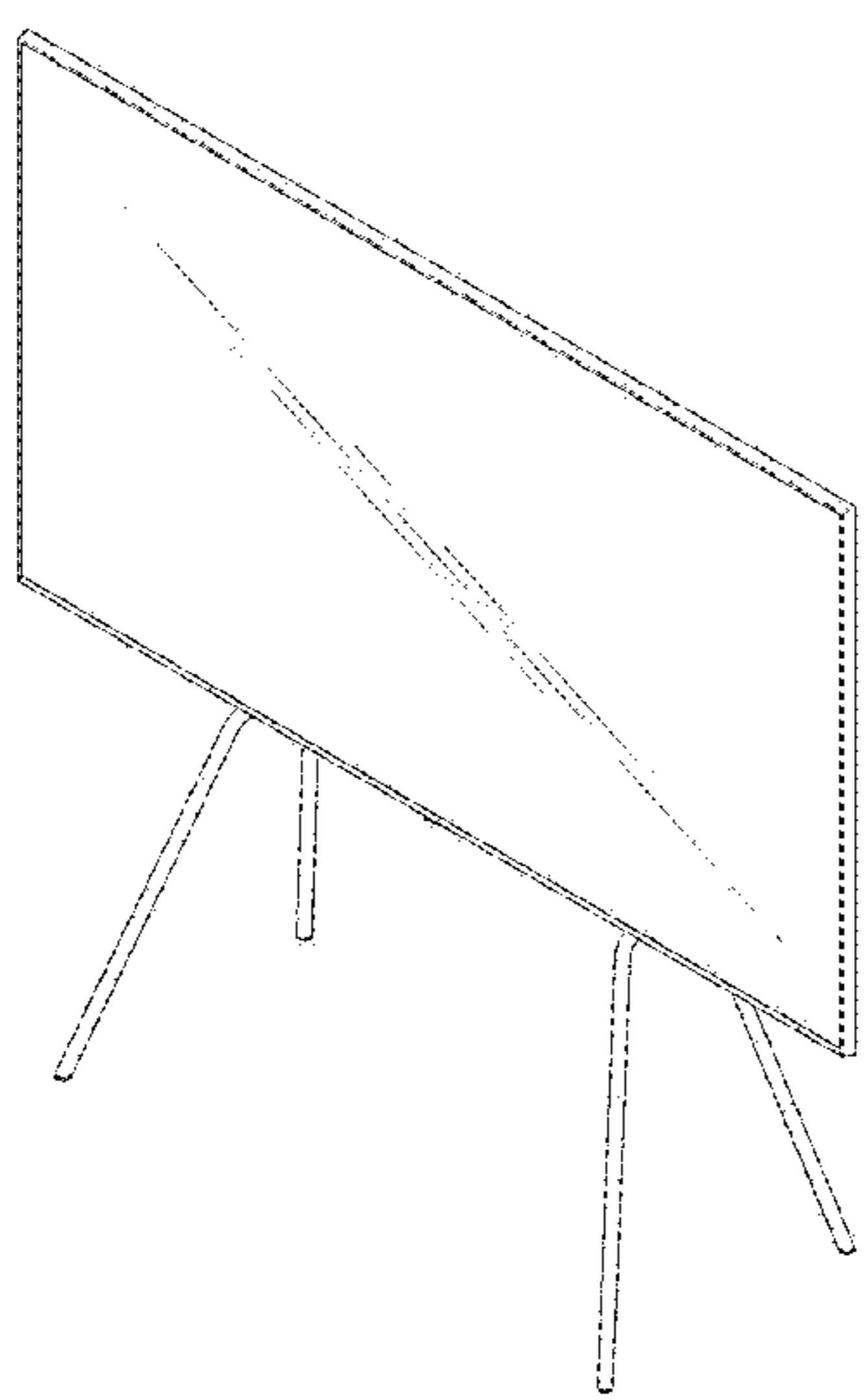
*Primary Examiner* — L. A. Grabenstetter  
(74) *Attorney, Agent, or Firm* — Birch, Stewart, Kolasch & Birch, LLP

(57) **CLAIM**  
The ornamental design for a television, as shown and described.

**DESCRIPTION**

1. Television  
1.1 : Front perspective view  
1.2 : Rear perspective view  
1.3 : Front view  
1.4 : Rear view  
1.5 : Left view  
1.6 : Right view  
1.7 : Top view  
1.8 : Bottom view  
1.9 : Second front perspective view, shown in a condition of use with unclaimed environmental speaker  
The broken lines applied to the rear surface of the article in reproductions 1.2, 1.4-1.7 represent portions of the television that form no part of the claimed design. The broken lines depicting a speaker in reproduction 1.9 represent environmental subject matter that discloses a potential condition of use, and form no part of the claimed design.

**1 Claim, 9 Drawing Sheets**



(56)

**References Cited**

U.S. PATENT DOCUMENTS

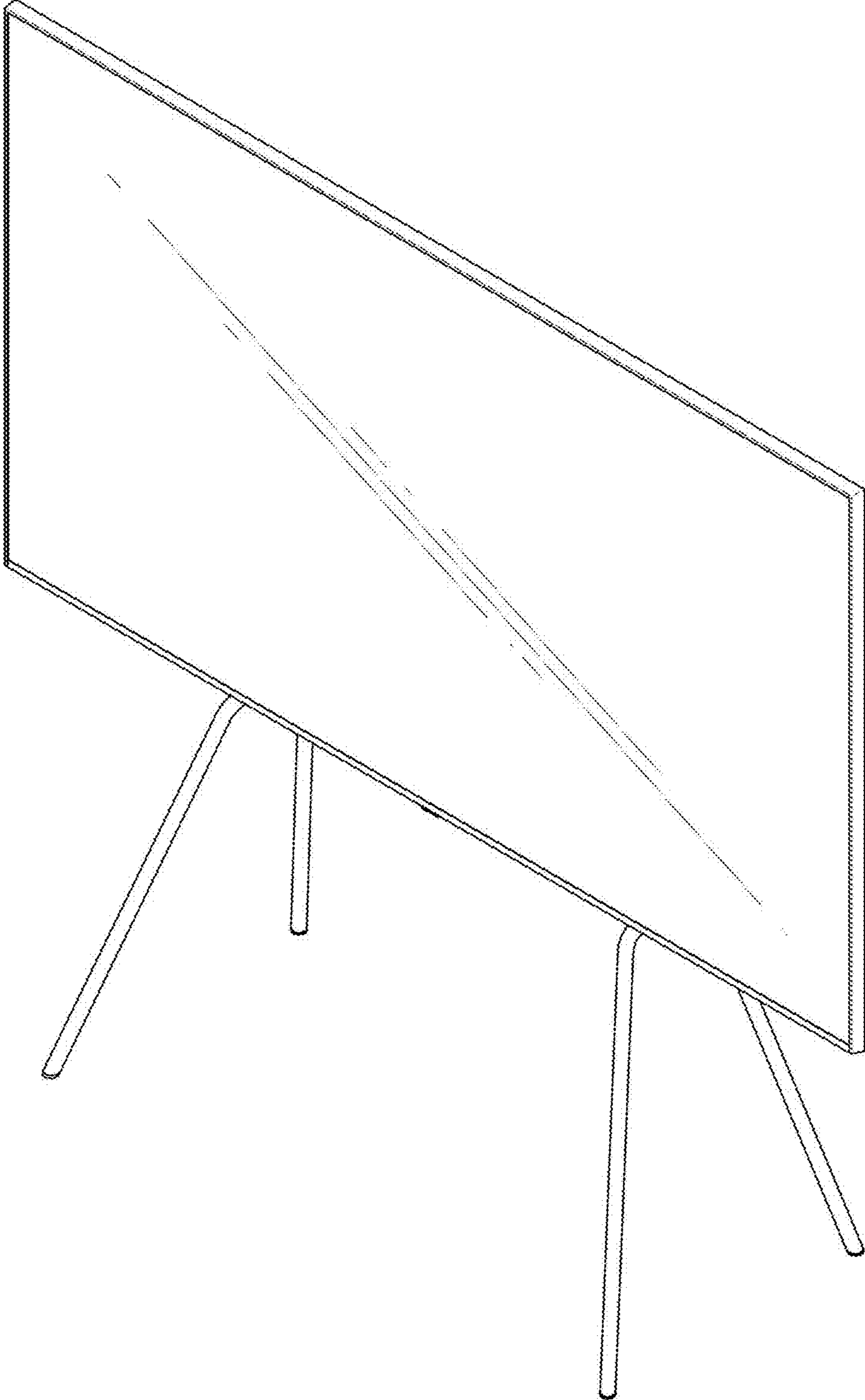
D788,053	S	*	5/2017	Choi	.....	D14/126
D799,443	S	*	10/2017	Park	.....	D14/126
D801,733	S	*	11/2017	Han	.....	D6/676
D823,824	S	*	7/2018	Won	.....	D14/126
D835,593	S	*	12/2018	Shin	.....	D14/126
D859,338	S	*	9/2019	Lim	.....	D14/126
D861,626	S	*	10/2019	Wu	.....	D14/126
D864,886	S	*	10/2019	Kim	.....	D14/126
D865,699	S	*	11/2019	Kim	.....	D14/126
D898,688	S	*	10/2020	Lee	.....	D14/126
D899,387	S	*	10/2020	Lee	.....	D14/126

OTHER PUBLICATIONS

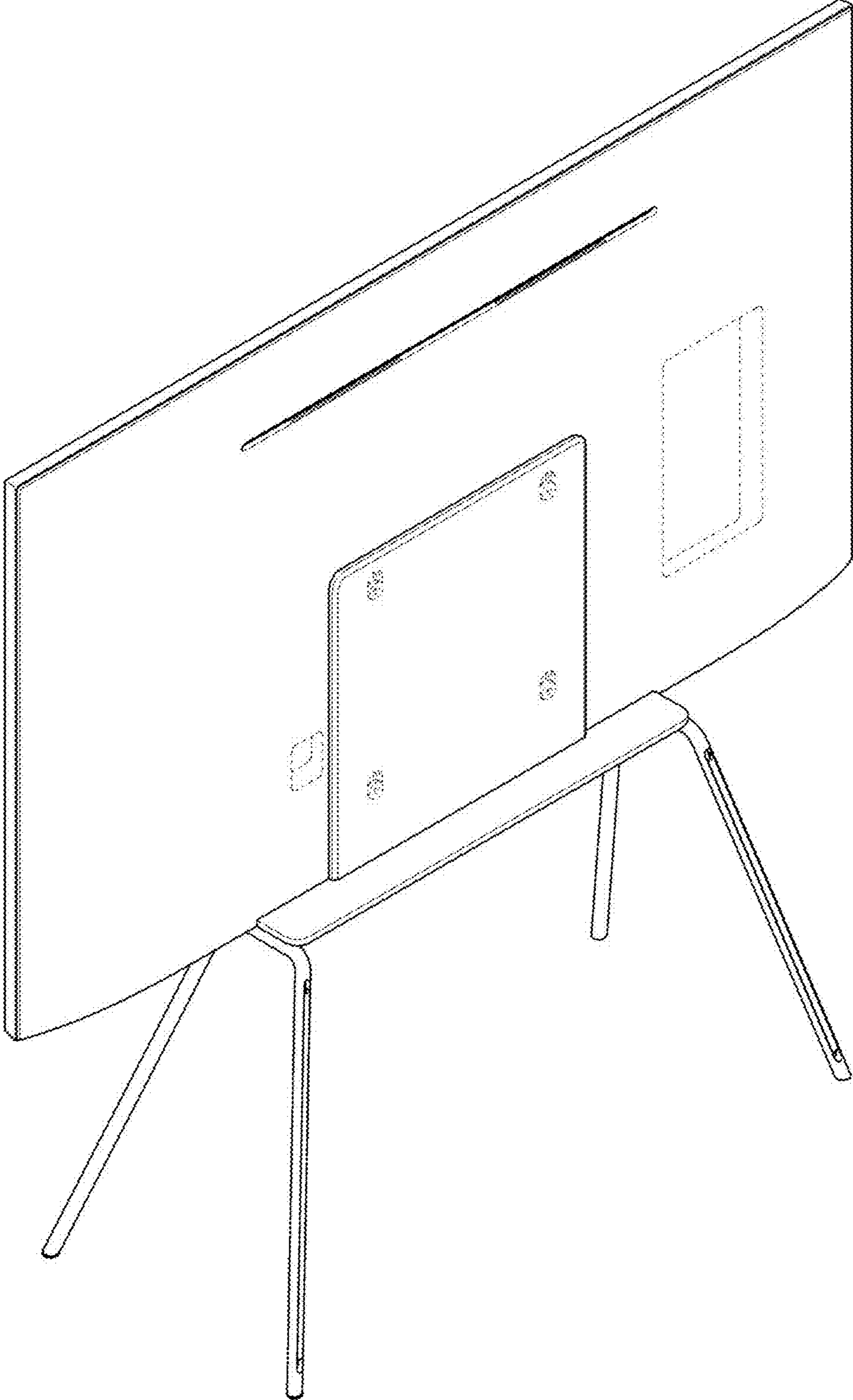
Samsung's polarizing Serif TV is now available in the US for \$1,499, publication date Jul. 4, 2016, [online] URL: <https://www.theverge.com/circuitbreaker/2016/7/4/12092810/samsung-serif-tv-us-buy> (Year: 2016).\*

\* cited by examiner

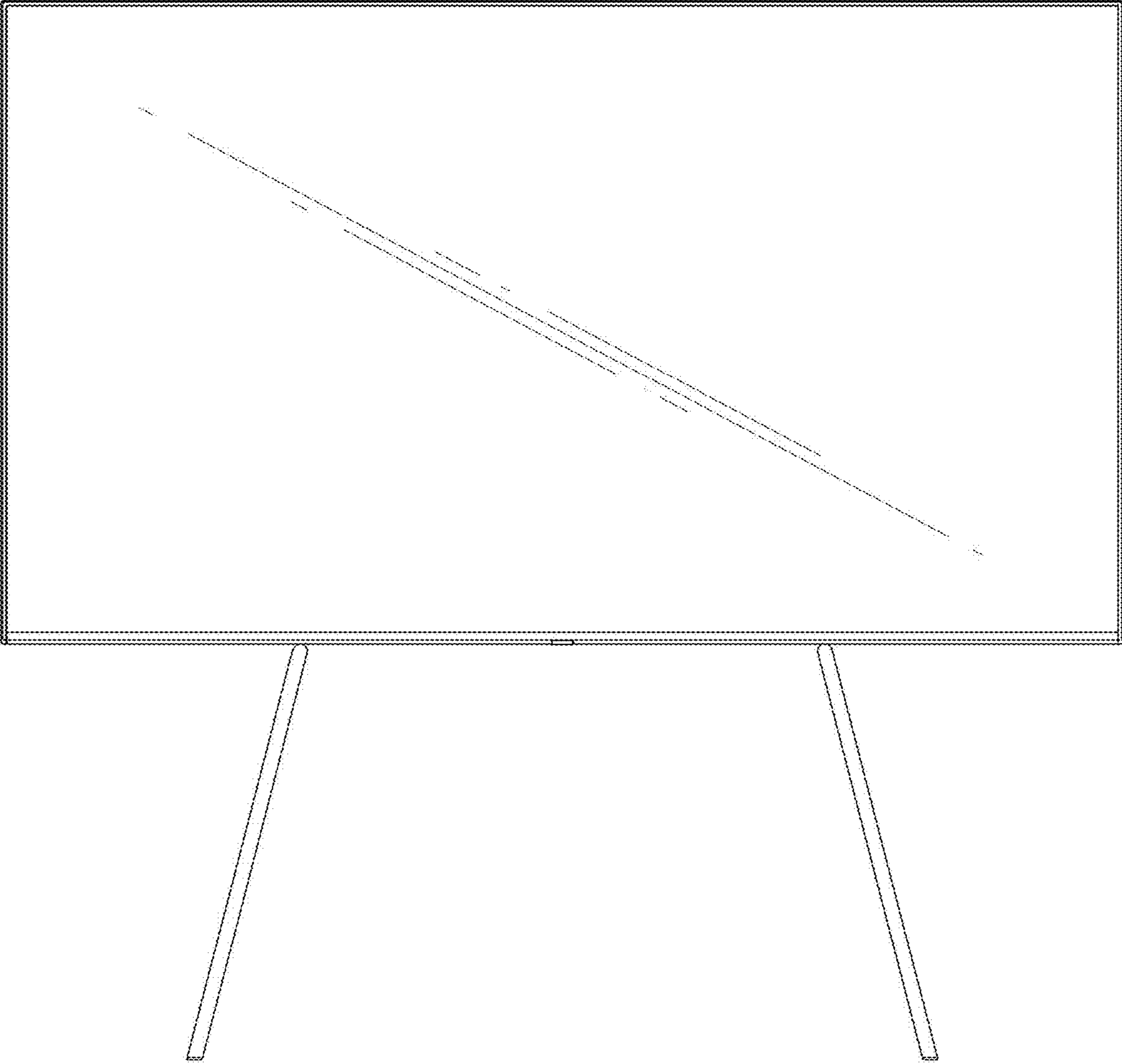
1.1



1.2

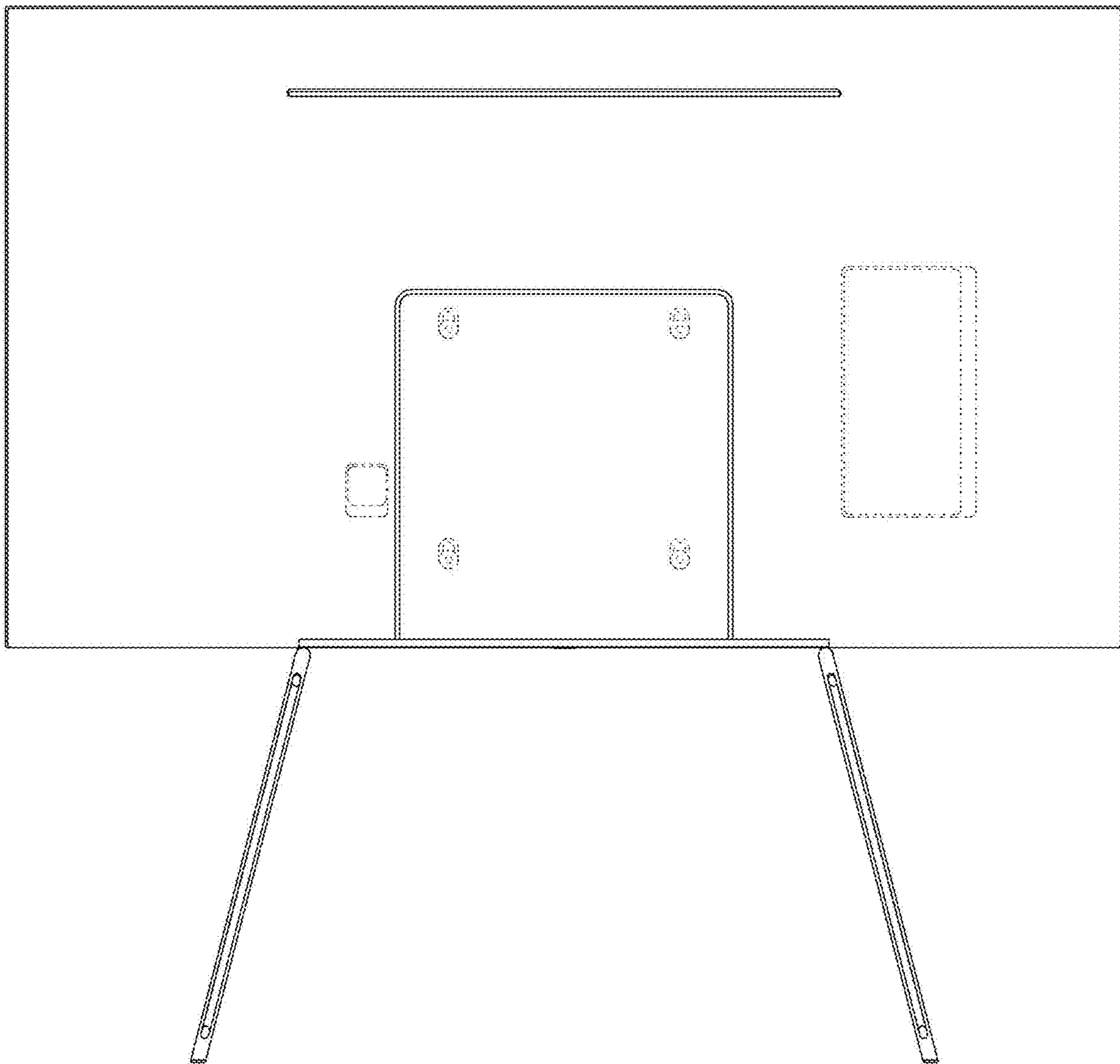


1.3

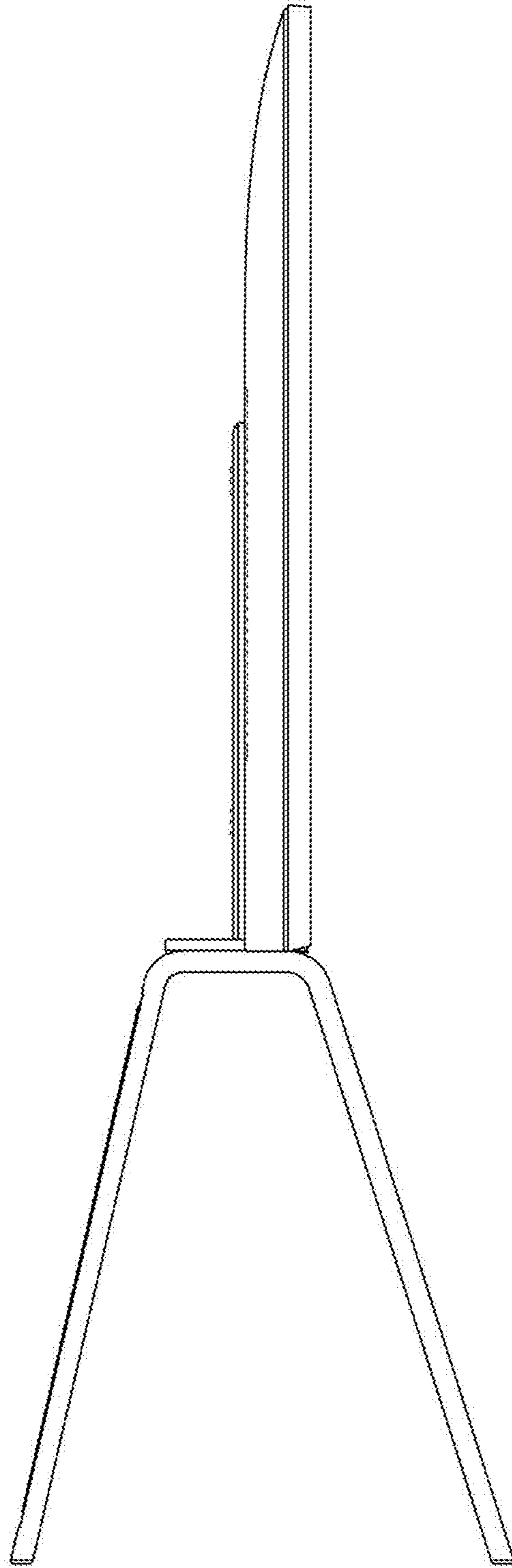




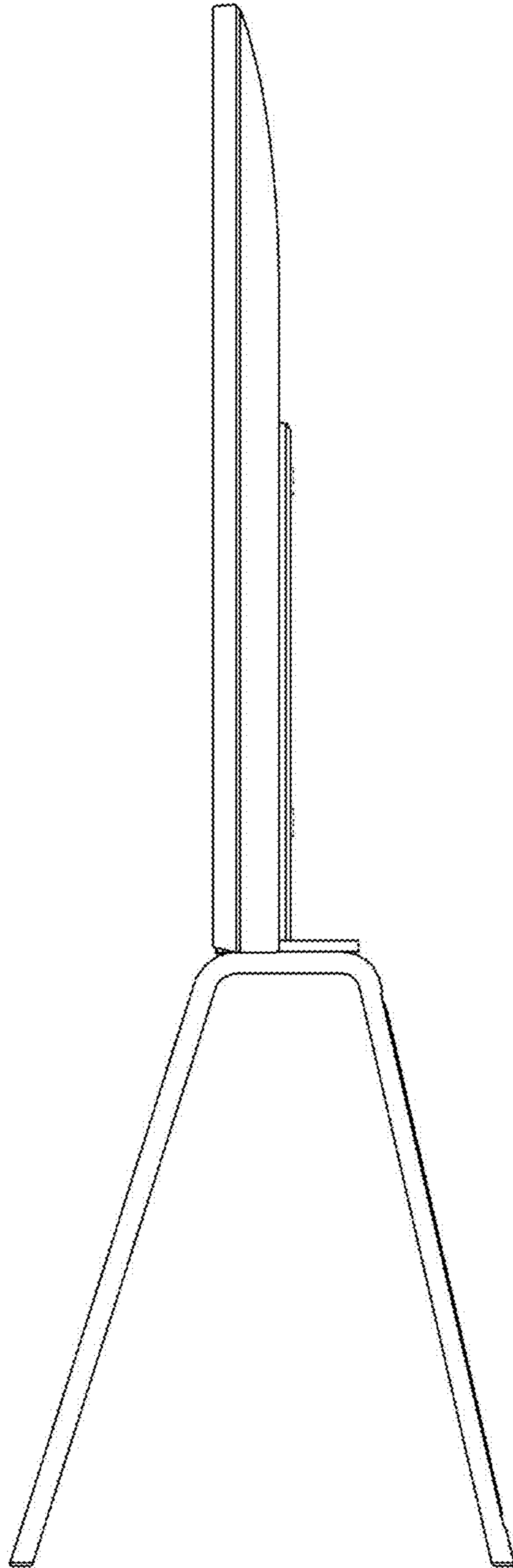
1.4



1.5

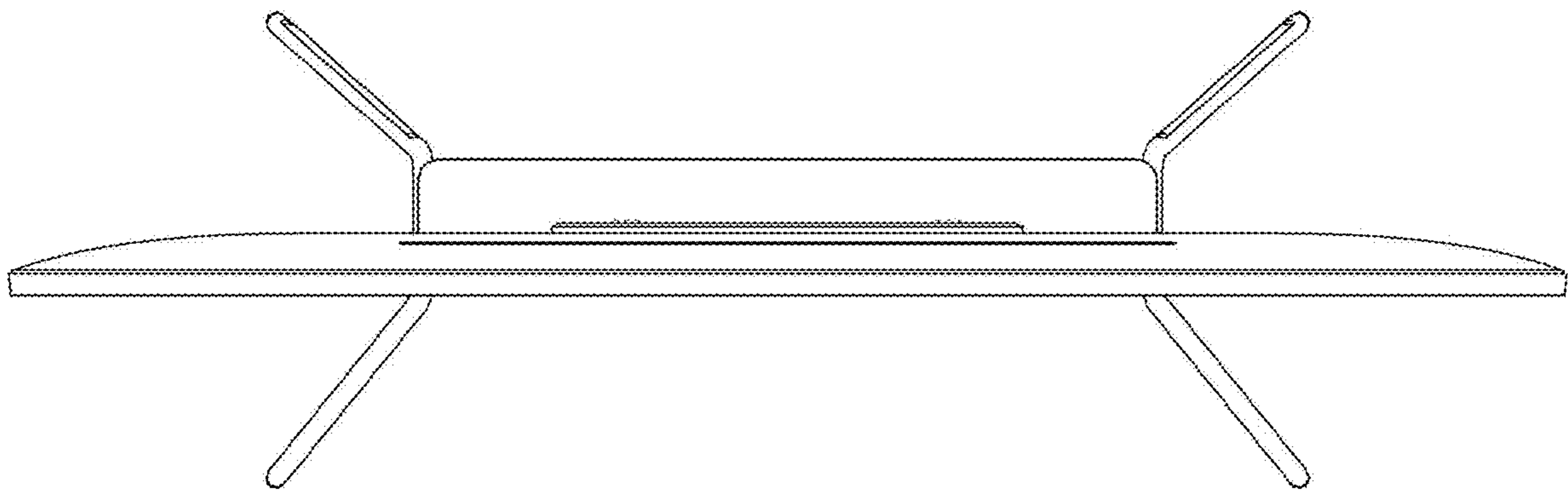


1.6

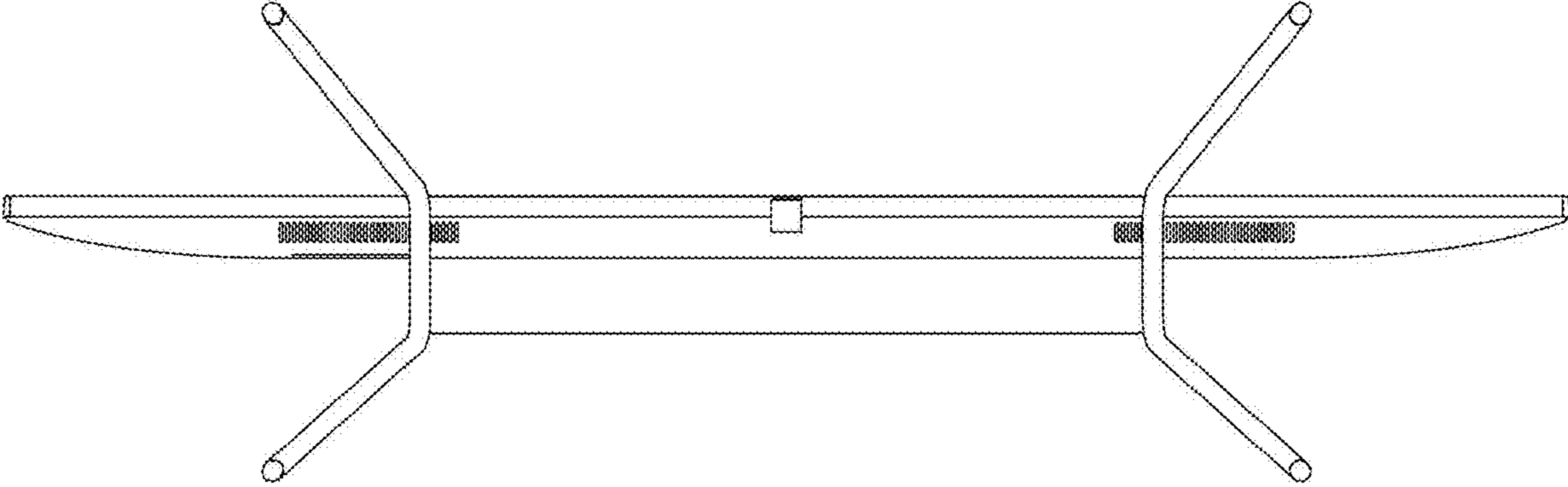




1.7



1.8



1.9

